

< High-power GaAs FET (small signal gain stage) >

MGF0910A

L & S BAND / 6W

non - matched

DESCRIPTION

The MGF0910A, GaAs FET with an N-channel schottky gate, is designed for use in UHF band amplifiers.

FEATURES

- Class A operation
- High output power
P1dB=38.0dBm(TYP.) @f=2.3GHz
- High power gain
GLP=11.0dB(TYP.) @f=2.3GHz
- High power added efficiency
P.A.E =45%(TYP.) @f=2.3GHz,P1dB
- Hermetically sealed metal-ceramic package with ceramic lid

APPLICATION

- For UHF Band power amplifiers

QUALITY

- IG

RECOMMENDED BIAS CONDITIONS

- Vds=10V • Ids=1.3A • Rg=100Ω Refer to Bias Procedure

Absolute maximum ratings (Ta=25°C)

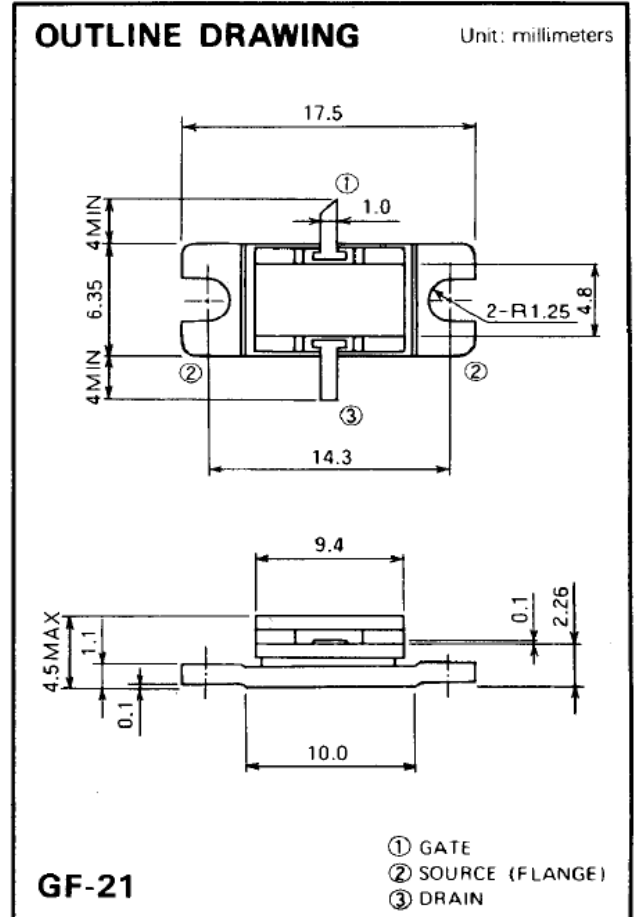
Symbol	Parameter	Ratings	Unit
VGDO	Gate to drain voltage	-15	V
VGSO	Gate to source voltage	-15	V
ID	Drain current	5	A
IGR	Reverse gate current	-15	mA
IGF	Forward gate current	31.5	mA
PT*1	Total power dissipation	27.3	W
Tch	Channel temperature	175	°C
Tstg	Storage temperature	-65 to +175	°C

*1:Tc=25°C

Electrical characteristics (Ta=25°C)

Symbol	Parameter	Test conditions	Limits			Unit
			Min.	Typ.	Max.	
IDSS	Saturated drain current	VDS=3V,VGS=0V	-	-	5	A
gm	Transconductance	VDS=3V,ID=1.3A	-	1.5	-	S
VGS(off)	Gate to source cut-off voltage	VDS=3V,ID=10mA	-2	-	-5	V
P1dB	Output power at 1dB gain compression	VDS=10V,ID(RF off)=1.3A	37	38	-	dBm
GLP	Linear Power Gain	f=2.3GHz	10	11	-	dB
P.A.E.	Power added efficiency		-	45	-	%
Rth(ch-c) *2	Thermal resistance	Δ Vf method	-	-	5.5	°C/W

*2 :Channel-case

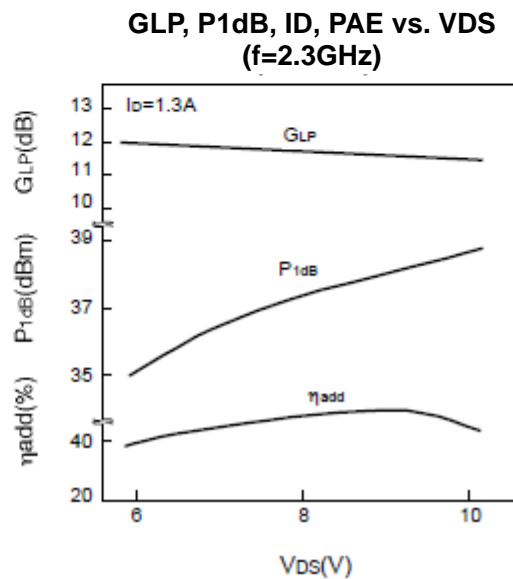
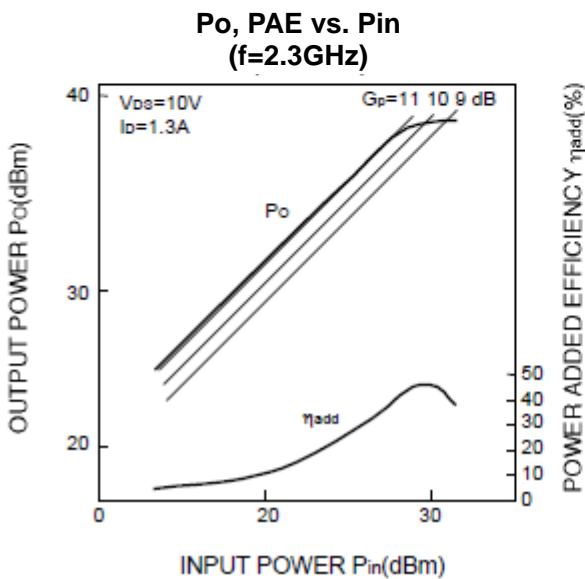
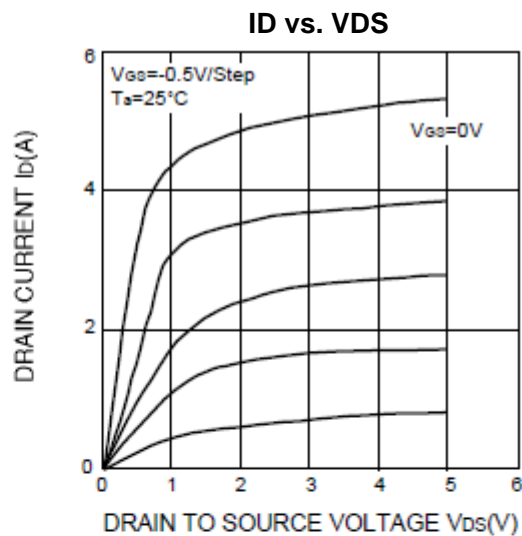
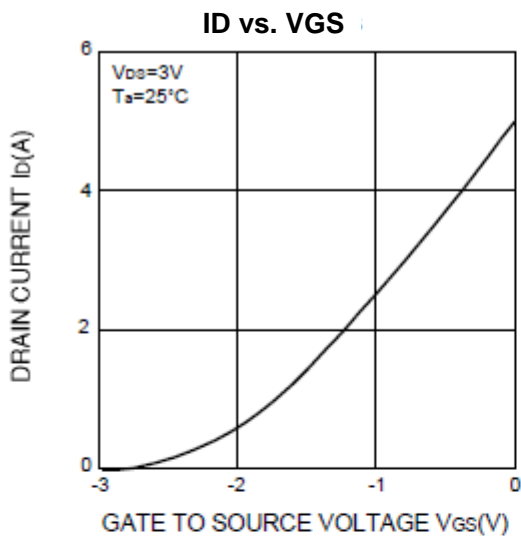


MGF0910A

L & S BAND / 6W

non - matched

MGF0910A TYPICAL CHARACTERISTICS(Ta=25deg.C)



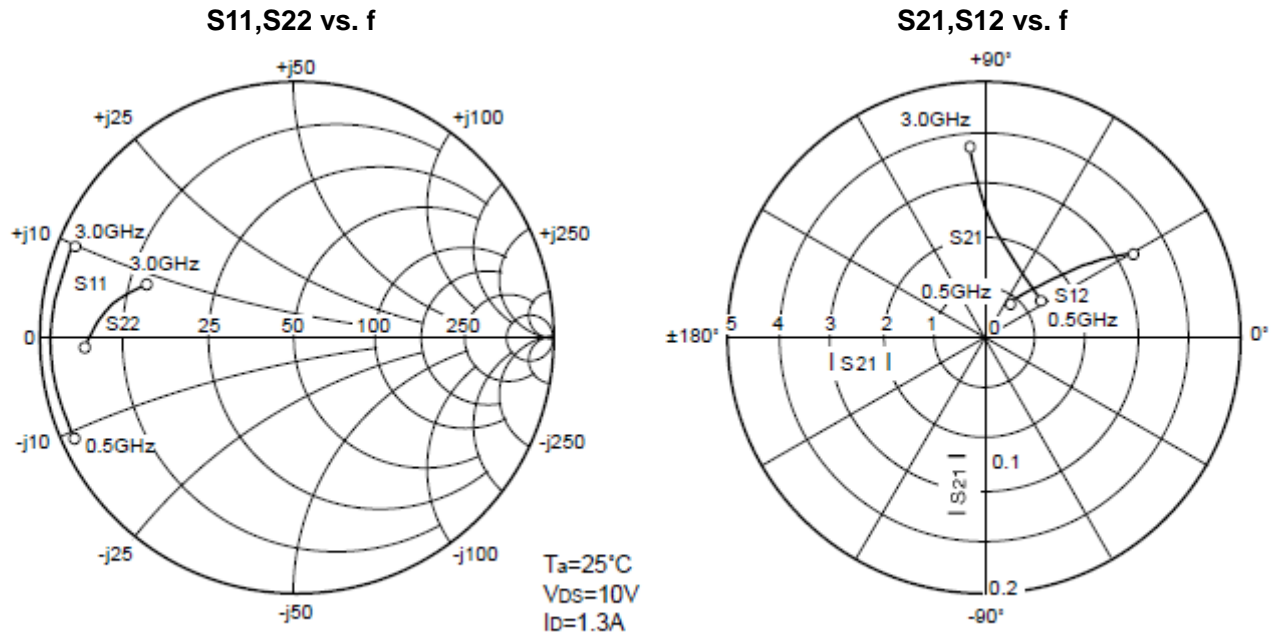
< High-power GaAs FET (small signal gain stage) >

MGF0910A

L & S BAND / 6W

non - matched

MGF0910A S-parameters(Ta=25deg.C , VDS=10(V),IDS=1.3(A))



Freq. (GHz)	S11		S21		S12		S22		K	MSG/MAG (dB)
	Magn.	Angle(deg.)	Magn.	Angle(deg.)	Magn.	Angle(deg.)	Magn.	Angle(deg.)		
0.50	0.962	-155.5	3.762	97.8	0.0080	50.0	0.869	-177.6	0.752	25.0
0.60	0.961	-159.7	3.339	93.6	0.0090	49.9	0.869	-179.6	0.795	24.8
0.70	0.960	-163.4	2.768	90.8	0.0110	48.5	0.867	178.5	0.835	24.7
0.80	0.959	-166.8	2.460	87.5	0.0130	47.5	0.865	178.2	0.842	23.5
0.90	0.958	-168.4	2.219	87.1	0.0140	46.5	0.860	177.6	0.883	23.0
1.00	0.957	-171.3	2.021	84.1	0.0149	46.0	0.854	176.8	0.902	23.1
1.10	0.956	-173.8	1.830	82.2	0.0156	45.6	0.845	175.6	0.943	22.4
1.20	0.955	-175.4	1.691	80.2	0.0172	44.6	0.840	176.6	1.025	21.5
1.30	0.954	-176.8	1.590	78.0	0.0182	44.0	0.832	176.1	1.055	20.0
1.40	0.952	-178.7	1.500	75.7	0.0189	43.5	0.825	175.7	1.085	19.0
1.50	0.950	-179.7	1.425	73.7	0.0192	42.3	0.818	175.3	1.125	18.5
1.60	0.948	178.4	1.352	71.6	0.0195	40.9	0.805	175.1	1.175	17.8
1.70	0.946	177.2	1.330	69.9	0.0219	40.3	0.795	174.7	1.195	17.0
1.80	0.944	176.0	1.255	67.7	0.0224	39.0	0.782	174.0	1.212	16.9
1.90	0.941	174.7	1.201	66.2	0.0225	38.5	0.773	173.4	1.256	16.0
2.00	0.938	174.3	1.040	65.3	0.0235	38.0	0.757	174.4	1.285	15.4
2.10	0.934	173.3	0.993	63.3	0.0239	37.2	0.750	174.2	1.295	14.8
2.20	0.930	172.3	0.977	61.7	0.0249	36.5	0.740	173.4	1.305	14.5
2.30	0.926	171.2	0.949	59.1	0.0258	35.8	0.725	172.7	1.355	14.2
2.40	0.922	169.9	0.921	57.0	0.0265	35.3	0.708	172.2	1.395	13.8
2.50	0.918	169.0	0.909	55.4	0.0275	34.6	0.687	171.6	1.415	13.5
2.60	0.913	167.6	0.900	54.3	0.0280	33.6	0.672	170.3	1.435	12.8
2.70	0.907	166.1	0.876	52.2	0.0286	32.5	0.662	168.9	1.454	12.3
2.80	0.902	164.6	0.873	49.9	0.0296	31.2	0.642	167.7	1.475	11.9
2.90	0.895	163.3	0.843	48.4	0.0310	30.2	0.629	166.9	1.495	10.8
3.00	0.885	162.0	0.832	45.5	0.0320	29.1	0.610	159.4	1.525	10.5

Keep safety first in your circuit designs!

Mitsubishi Electric Corporation puts the maximum effort into making semiconductor products better and more reliable, but there is always the possibility that trouble may occur with them. Trouble with semiconductors may lead to personal injury, fire or property damage. Remember to give due consideration to safety when making your circuit designs, with appropriate measures such as (i) placement of substitutive, auxiliary circuits, (ii) use of non-flammable material or (iii) prevention against any malfunction or mishap.

Notes regarding these materials

- These materials are intended as a reference to assist our customers in the selection of the Mitsubishi semiconductor product best suited to the customer's application; they do not convey any license under any intellectual property rights, or any other rights, belonging to Mitsubishi Electric Corporation or a third party.
- Mitsubishi Electric Corporation assumes no responsibility for any damage, or infringement of any third-party's rights, originating in the use of any product data, diagrams, charts, programs, algorithms, or circuit application examples contained in these materials.
- All information contained in these materials, including product data, diagrams, charts, programs and algorithms represents information on products at the time of publication of these materials, and are subject to change by Mitsubishi Electric Corporation without notice due to product improvements or other reasons. It is therefore recommended that customers contact Mitsubishi Electric Corporation or an authorized Mitsubishi Semiconductor product distributor for the latest product information before purchasing a product listed herein.
The information described here may contain technical inaccuracies or typographical errors. Mitsubishi Electric Corporation assumes no responsibility for any damage, liability, or other loss rising from these inaccuracies or errors.
Please also pay attention to information published by Mitsubishi Electric Corporation by various means, including the Mitsubishi Semiconductor home page (<http://www.MitsubishiElectric.com/>).
- When using any or all of the information contained in these materials, including product data, diagrams, charts, programs, and algorithms, please be sure to evaluate all information as a total system before making a final decision on the applicability of the information and products. Mitsubishi Electric Corporation assumes no responsibility for any damage, liability or other loss resulting from the information contained herein.
- Mitsubishi Electric Corporation semiconductors are not designed or manufactured for use in a device or system that is used under circumstances in which human life is potentially at stake. Please contact Mitsubishi Electric Corporation or an authorized Mitsubishi Semiconductor product distributor when considering the use of a product contained herein for any specific purposes, such as apparatus or systems for transportation, vehicular, medical, aerospace, nuclear, or undersea repeater use.
- The prior written approval of Mitsubishi Electric Corporation is necessary to reprint or reproduce in whole or in part these materials.
- If these products or technologies are subject to the Japanese export control restrictions, they must be exported under a license from the Japanese government and cannot be imported into a country other than the approved destination.
Any diversion or re-export contrary to the export control laws and regulations of Japan and/or the country of destination is prohibited.
- Please contact Mitsubishi Electric Corporation or an authorized Mitsubishi Semiconductor product distributor for further details on these materials or the products contained therein.