

CMXTVS5V6 CMXTVS6V2

5.6V and 6.2V Quad TVS/Diode Arrays in the SOT-26 package



SOT-26

Central Semiconductor's CMXTVS5V6 and CMXTVS6V2 are 4-line TVS/Zener arrays packaged in the SOT-26 surface mount case. These devices were designed to protect sensitive electronic equipment such as computers, networking interfaces, communication devices, cell phones, and digital instrumentation from overvoltage transients and ESD damage.

Features:

- Very low clamping voltage
- Low leakage current
- 150W Peak Power Dissipation
- IEC 61000-4-2 ESD 20kV Air, 15kV Contact Compliance

Applications:

- Data line / User interface protection
- DC power rail clamping
- ESD protection of logic level ICs

Benefits:

- Low idle power consumption
- Industry standard package
- Integrated solution saves board space

Literature:

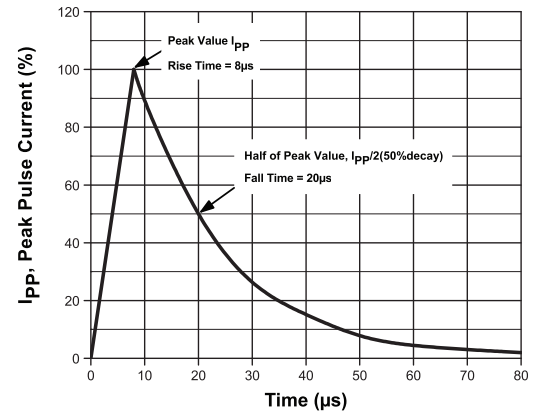


New
SMD
SELECTION
GUIDE

Order your selection guide today.
Visit: web.centrasemi.com/search/sample.php

Typical Electrical Characteristics

8 x 20 μs Pulse Waveform



Samples:



To request samples visit:
www.centrasemi.com/info/CMXTVS

Weblink:

Use QR reader
for direct link to
product web page,



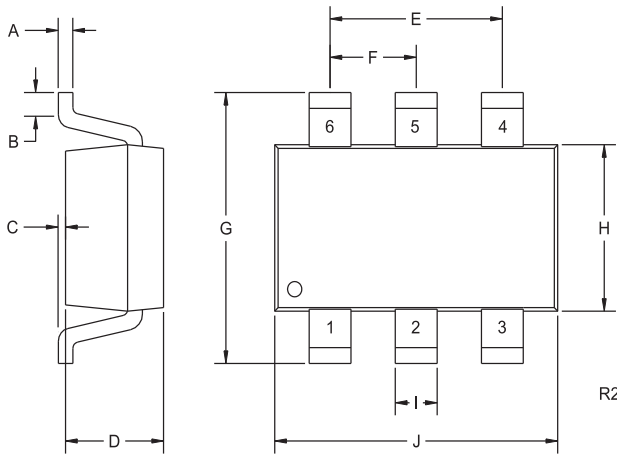
or use: www.centrasemi.com/info/CMXTVS5V6

Type No.	Maximum Ratings ($T_A = 25^\circ\text{C}$)				Electrical Characteristics Per Diode: ($T_A = 25^\circ\text{C}$)											
	PPK (8x20μs)	PPK (10x1000μs)	VESD	T _J , T _{stg}	Breakdown Voltage			Leakage Current		Clamping Voltage (10x1000μs)		Clamping Voltage (8x20μs)		Capacitance @ 0V Bias	Capacitance @ 2.8V Bias	Impedance
					V _{BR} @ 1.0mA			I _{RWM} @ V _{RWM}		V _C @ I _{PP}		V _C @ I _{PP}				
MAX (W)	MAX (W)	MAX (kV)	MAX (°C)	MIN (V)	NOM (V)	MAX (V)	MAX (μA)	MAX (V)	MAX (A)	MAX (V)	MAX (A)	MAX (pF)	MAX (pF)	MAX (Ω)		
CMXTVS5V6	150	24	20	-55 to +150	5.32	5.6	5.88	2.0	3.0	8.0	3.0	12	12.5	275	160	400
CMXTVS6V2	150	24	20	-55 to +150	5.89	6.2	6.51	0.7	4.3	9.0	2.66	12.5	12	260	150	300

CMXTVS5V6 CMXTVS6V2

5.6V and 6.2V Quad TVS/Diode Arrays in the SOT-26 package

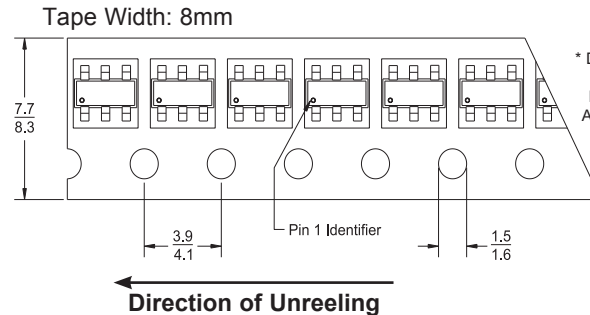
Mechanical Drawing - SOT-26



SYMBOL	INCHES		MILLIMETERS	
	MIN	MAX	MIN	MAX
A	0.004	0.007	0.11	0.19
B	0.016	-	0.40	-
C	-	0.004	-	0.10
D	0.039	0.047	1.00	1.20
E	0.074	0.075	1.88	1.92
F	0.037	0.038	0.93	0.97
G	0.102	0.118	2.60	3.00
H	0.059	0.067	1.50	1.70
I	0.016		0.41	
J	0.110	0.118	2.80	3.00

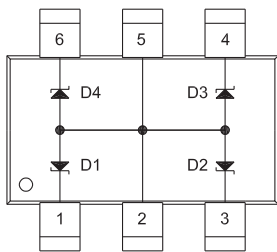
SOT-26 (REV: R2)

Tape Dimensions and Orientation for SOT-26 (Dimensions in mm)



* Devices are taped in accordance with Electronic Industries Association Standard EIA-481-1-A

Lead Code



- 1) Cathode D1
- 2) Anode D1, D2, D3, D4
- 3) Cathode D2
- 4) Cathode D3
- 5) Anode D1, D2, D3, D4
- 6) Cathode D4

MARKING CODES:
CMXTVS5V6: 5V6C
CMXTVS6V2: 6V2C

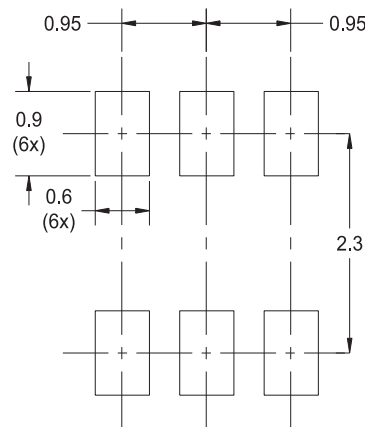
Packaging Base / Ordering Information

Reel Size	Quantity	Central Item No.
7"	3,000	CMXTVS5V6 TR
		CMXTVS6V2 TR

Reel Packing Information

Reel Size	Reels per Box (Maximum)	Parts per Box (Maximum)	Box Dimensions		Shipping Weight (Max.)	
			INCH	CM	LB	KG
7"	9	27,000	9x9x5	23x23x13	4	2
	18	54,000	9x9x9	23x23x23	7	4
	40	120,000	21x9x9	53x23x23	14	7
	108	324,000	27x9x17	69x23x43	39	18

Mounting Pad for SOT-26 (Dimensions in mm)



R1

Sample devices available upon request. To order samples visit: www.centrasemi.com/info/CMXTVS



Innovative Discrete Semiconductors

For further information contact:
Sales at Central Semiconductor Corp.
(631) 435-1110 or visit our website at:
www.centrasemi.com