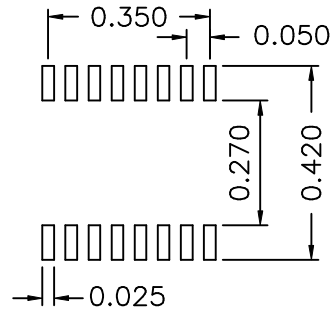
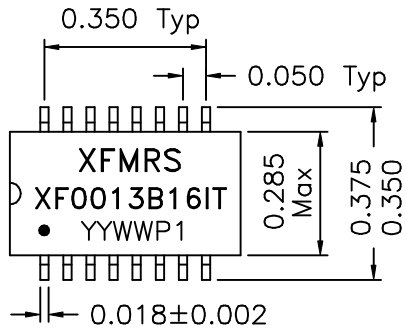
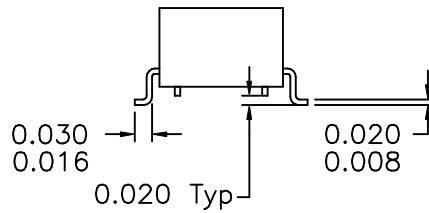
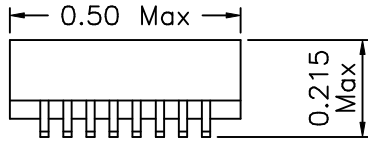
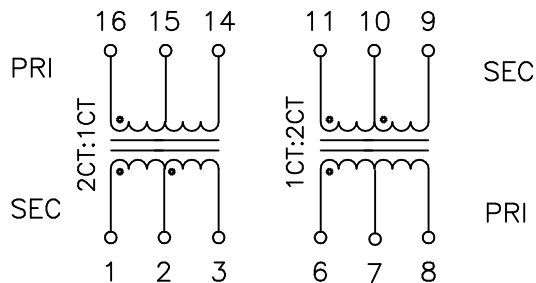


1. Dimensions:



SUGGESTED FOOTPRINT

2. Schematic:



3. Electrical Specifications: @25°C

Isolation Voltage: 1500 Vrms

Turns Ratio: (16-15-14):(1-2-3)=1CT:2CT ±3%

(6-7-8):(11-10-9)=1CT:2CT ±3%

PRI OCL: 1.5mH MIN. @100KHz 50mV

Cw/w: 45pF MAX. @100KHz 50mV (PRI/SEC)

PRI LL: 0.6uH MAX. @100KHz 50mV (SEC Shorted)

PRI DC Resistance: 1.0 Ohms MAX.

SEC DC Resistance: 2.0 Ohms MAX.

Ext. Temp. Range: -40 to +85°C

DOC. REV: A/1

XFMRs Inc	Title: TRANSFORMER	
	UNLESS OTHERWISE SPECIFIED	P/N: XF0013B16IT REV. A
	TOLERANCES: .xxx ±0.010	DWN. 李清儿 Feb-23-99
	Dimensions in Inch	CHK.
SCALE 2.5:1 SHT 1 OF 1	APP. Joe Huff	Feb-23-99