

UTC 2SC5569 NPN EPITAXIAL SILICON TRANSISTOR

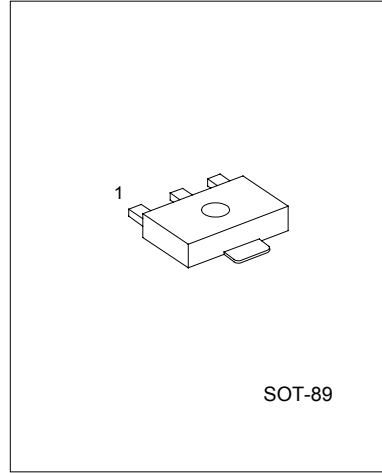
DC/DC CONVERTER APPLICATIONS

FEATURES

- *High current capacitance.
- *Low collector-to-emitter saturation voltage.
- *High-speed switching.
- *High allowable power dissipation.
- *Complementary to 2SA2016.

APPLICATIONS

- *Relay drivers, lamp drivers, motor drivers, strobes



1:EMITTER 2:COLLECTOR 3:BASE

ABSOLUTE MAXIMUM RATINGS (Ta=25°C)

PARAMETER	SYMBOL	VALUE	UNIT
Collector-Base Voltage	V _{CB0}	80	V
Collector-Emitter Voltage	V _{CEO}	50	V
Emitter-Base Voltage	V _{EBO}	6	V
Collector Current	I _c	7	A
Collector Current (Pulse)	I _{cp}	10	A
Base Current	I _B	1.2	A
Collector Dissipation T _c =25°C	P _c	1.3*	W
Junction Temperature	T _j	150	°C
Storage Temperature	T _{stg}	-55 ~ +150	°C

* Mounted on ceramic board (250mm²×0.8mm)

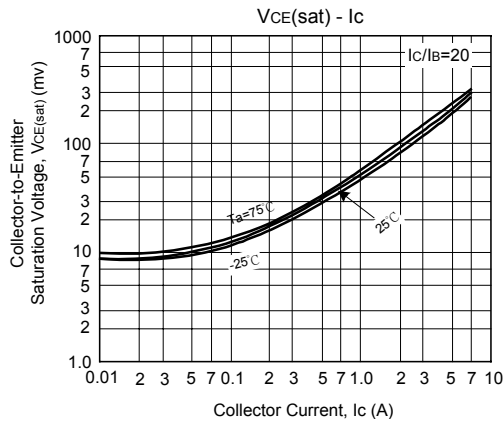
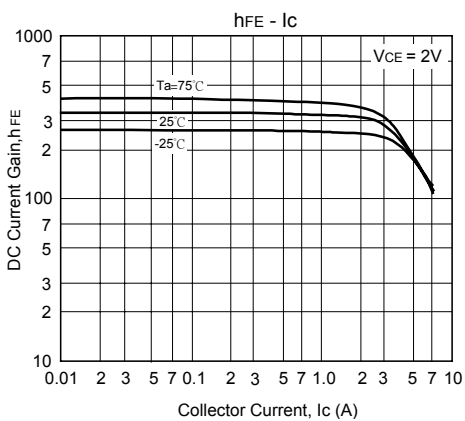
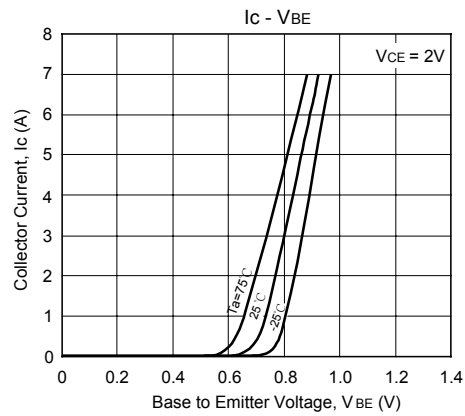
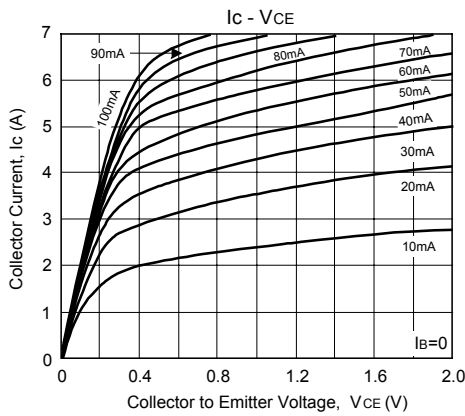
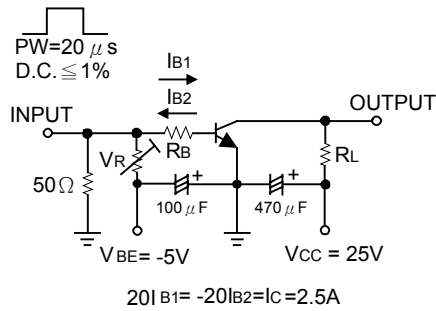
ELECTRICAL CHARACTERISTICS (Ta=25°C, unless otherwise specified)

PARAMETER	SYMBOL	TEST CONDITIONS	MIN	TYP	MAX	UNIT
Collector to Base Breakdown Voltage	V _{(BR)CBO}	I _c =10 μA, I _E =0	80			V
Collector to Emitter Breakdown Voltage	V _{(BR)CEO}	I _c =1mA, R _{BE} =∞	50			V
Emitter to Base Breakdown Voltage	V _{(BR)EBO}	I _E =10 μA, I _C =0	6			V
Collector Cut-Off Current	I _{CBO}	V _{CB} =40V, I _E =0			0.1	μA
Emitter Cut-Off Current	I _{EBO}	V _{EB} =4V, I _c =0			0.1	μA
DC Current Gain	h _{FE}	V _{CE} =2V, I _c =500mA	200		560	
Collector to Emitter Saturation Voltage	V _{CE(sat)}	I _c =3.5A, I _B =175mA		160	240	mV
		I _c =2A, I _B =40mA		110	170	mV
Base to Emitter Saturation Voltage	V _{BE(sat)}	I _c =2A, I _B =40mA		0.83	1.2	V
Gain Bandwidth Product	f _T	V _{CE} =10V, I _c =500mA		330		MHz
Output Capacitance	C _{ob}	V _{CB} =10V, f=1MHz		28		pF
Turn-On Time	t _{on}	See specified Test Circuit		30		ns
Storage Time	t _{stg}	See specified Test Circuit		420		ns

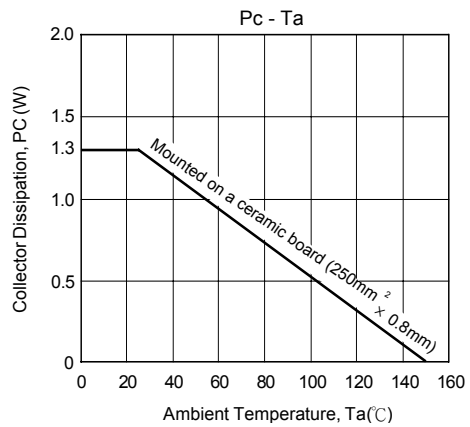
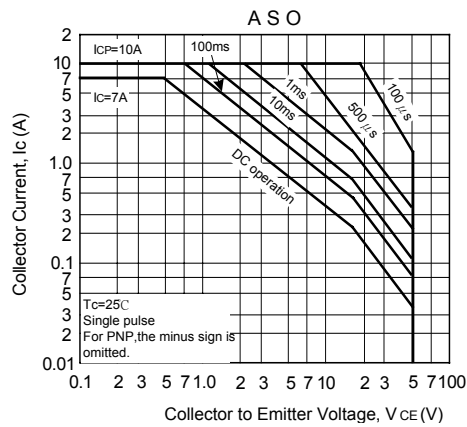
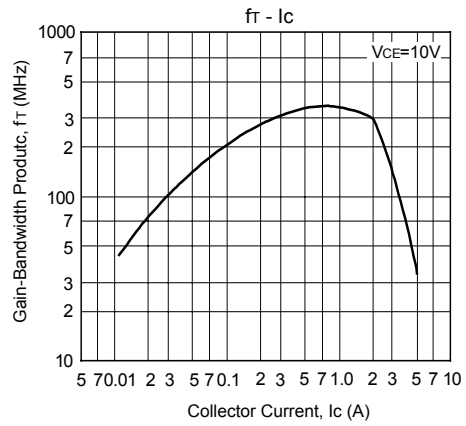
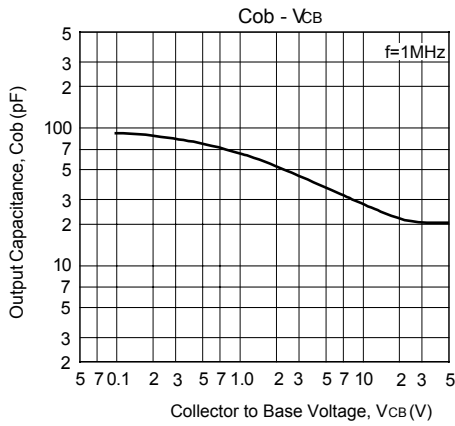
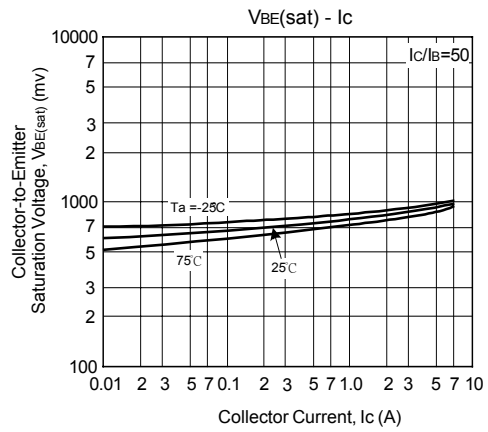
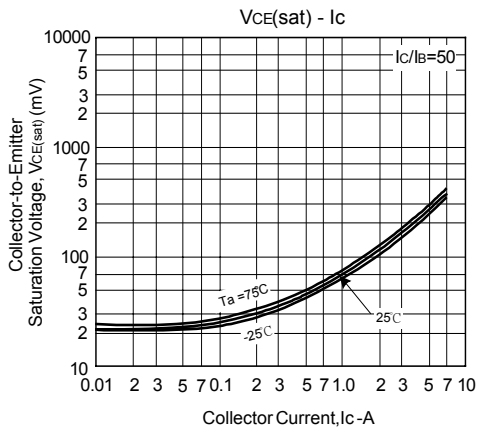
UTC 2SC5569 NPN EPITAXIAL SILICON TRANSISTOR

PARAMETER	SYMBOL	TEST CONDITIONS	MIN	TYP	MAX	UNIT
Fall Time	t_f	See specified Test Circuit		25		ns

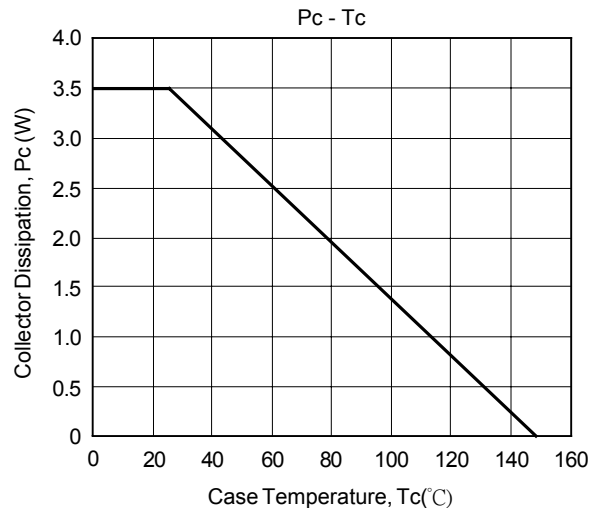
SWITCHING TIME TEST CIRCUIT



UTC 2SC5569 NPN EPITAXIAL SILICON TRANSISTOR



UTC 2SC5569 NPN EPITAXIAL SILICON TRANSISTOR



UTC assumes no responsibility for equipment failures that result from using products at values that exceed, even momentarily, rated values (such as maximum ratings, operating condition ranges, or other parameters) listed in products specifications of any and all UTC products described or contained herein. UTC products are not designed for use in life support appliances, devices or systems where malfunction of these products can be reasonably expected to result in personal injury. Reproduction in whole or in part is prohibited without the prior written consent of the copyright owner. The information presented in this document does not form part of any quotation or contract, is believed to be accurate and reliable and may be changed without notice.