

Legacy NMA2008-A1D 500 Hz to 300 MHz



Specifications

| | |
|----------------------------------|-------------------|
| RF Frequency | 500 Hz to 300 MHz |
| Noise Output | 62.2 dB Min ENR |
| Noise Spectral Density (N_o) | -111.8 dBm/Hz Min |
| Flatness | 4 dB P-P Max |
| Peak Factor | 5:1 |
| Bias Voltage | 15 V |
| Supply Current | 25 mA Max |
| Impedance | 50 ohms |

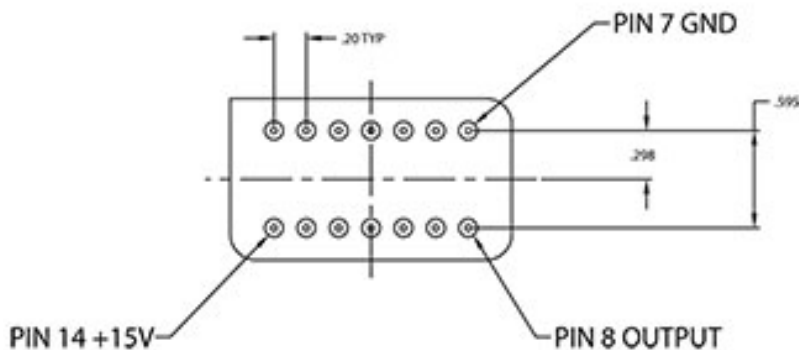
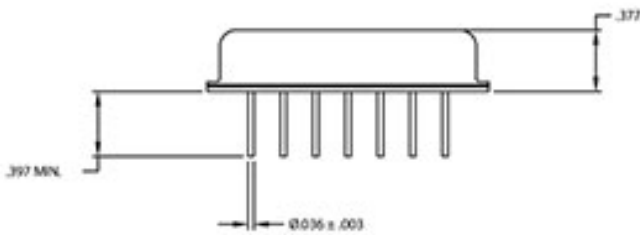
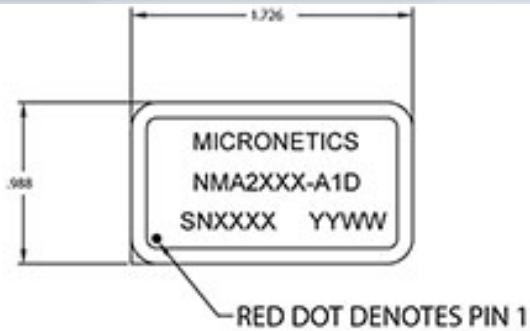
Package and Connectivity

| | |
|--------------|------------|
| Construction | DIP 14 PIN |
|--------------|------------|

Environmental

| | |
|-----------------------|---------------|
| Operating Temperature | -55 to 95 °C |
| Storage Temperature | -65 to 125 °C |

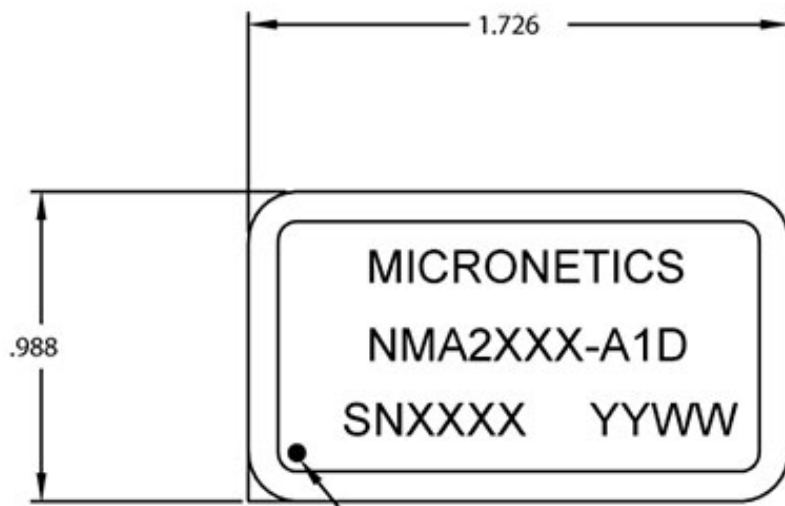
Notes



Specifications subject to change without notice

Micronetics, Inc. | Hudson, NH | Tel: 1-603-883-2900 | www.Micronetics.com

MICRONETICS



RED DOT DENOTES PIN 1

