

LE0504FT1G

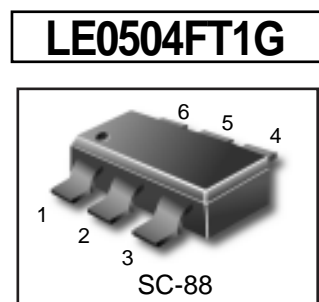
STEERING DIODE/TVS ARRAY COMBO

MECHANICAL CHARACTERISTICS

- Molded JEDEC SC-88
- Weight 16 milligrams (Approximate)

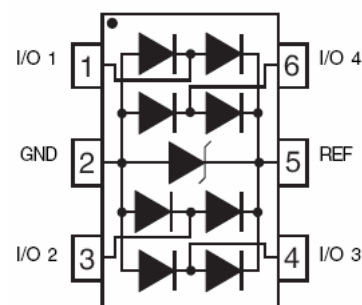
Features

- 300 Watts Peak Pulse Power per Line ($t_p=8/20 \mu s$)
- Low Clamping Voltage
- PROTECTS FOUR (4) LINES
- ULTRA LOW CAPACITANCE :3.5 Pf Typical
- RoHS Compliant on Lead Free Versions



APPLICATIONS

- Ethernet – 10/100/1000 Base T
- Cellular Phones
- Handheld & Portable Electronics
- Video/Graphics Card
- USB 2.0 Interface
- DVI Interface
- We declare that the material of product compliance with RoHS requirements.



IEC COMPATIBILITY(EN61000-4)

- 61000-4-2 (ESD): Air – 15kV, Contact – 8kV
- 61000-4-4 (ESD): 40A – 5/50ns
- 61000-4-5 (Surge): 24A, 8/20 μs -Level 2 (Line-Gnd) & Level 3 (Line –Line)

ORDERING INFORMATION

Device	Package	Shipping
LE0504FT1G	SC-88	3000/Tape & Reel

DEVICE CHARACTERISTICS

MAXIMUM RATINGS @ 25°C Unless Otherwise Specified

PARAMETER	SYMBOL	VALUE	UNITS
Peak Pulse Power ($t_p=8/20 \mu s$) See Figure 1	P_{PP}	300	Watts
Operating Temperature	T_J	-55°C to 150°C	°C
Storage Temperature	T_{STG}	-55°C to 150°C	°C
Forward Surge Rating (1/20 seconds @ 25°C, $I_F=10mA$)	V_F	1.5	Volts
Peak Pulse Current ($t_p= 8/20 \mu s$)	I_{PP}	12	Amps

LE0504FT1G

ELECTRICAL CHARACTERISTICS PER LINE @ 25°C Unless Otherwise Specified

PART NUMBER	RATED STANDOFF VOLTAGE (See Note1) V_{WM} VOLTS	MINIMUM BREAKDOWN VOLTAGE (See Note1) @1mA $V_{(BR)}$ VOLTS	MAXIMUM CLAMPING VOLTAGE (See Fig.2) (See Note 1) @ $I_P=1A$ V_C VOLTS	MAXIMUM CLAMPING VOLTAGE (See Note1) @ $I_P=5A$ V_C VOLTS	MAXIMUM LEAKAGE CURRENT (See Note1) @ V_{WM} I_D μA	TYPICAL CAPACITANCE (See Note1) @0V,1MHz $C_{J(SD)}$ pF
LE0504FT1G	5.0	6.0	12.0	15.0	5	3.5

Note 1: From I/O Pin to Ground.

FIGURE 1
PEAK PULSE POWER VS PULSE TIME

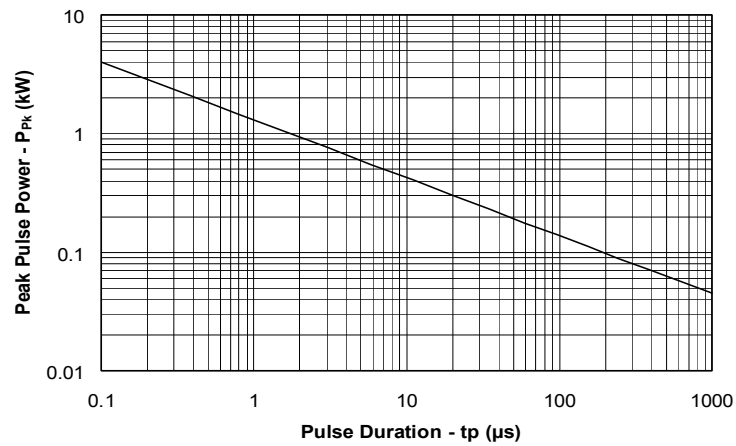
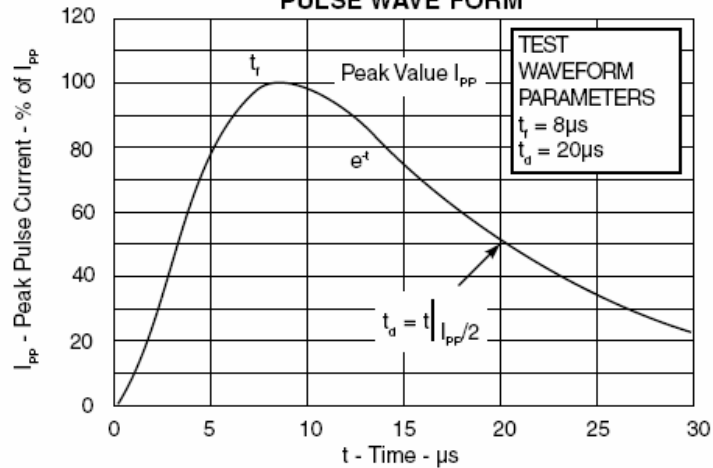
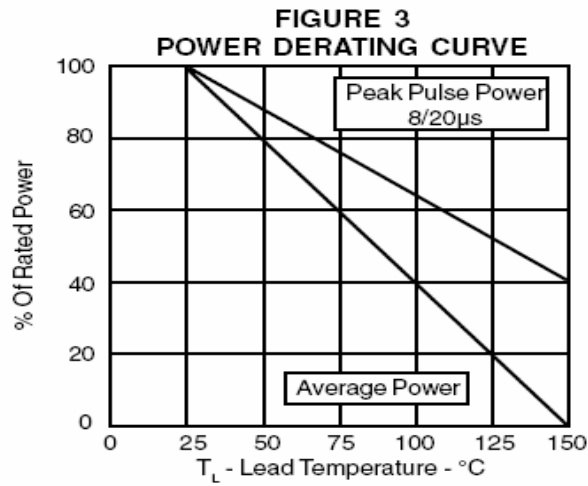


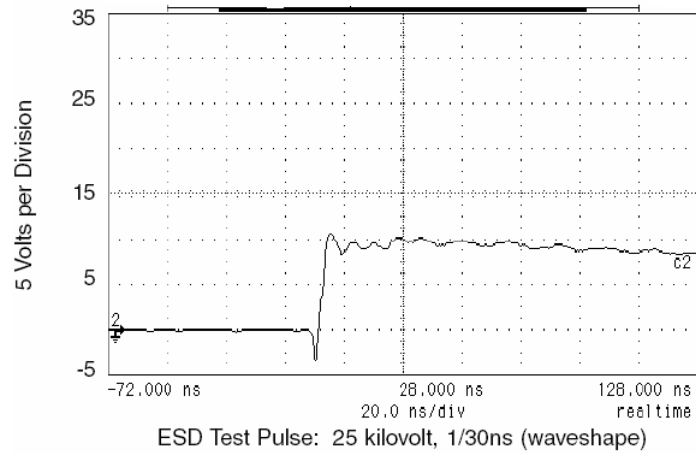
FIGURE 2
PULSE WAVE FORM



LE0504FT1G

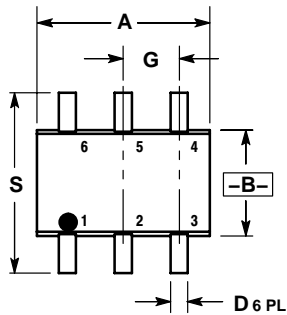


**FIGURE 4
OVERSHOOT & CLAMPING VOLTAGE FOR LGRV05-4LT1G**



LE0504FT1G

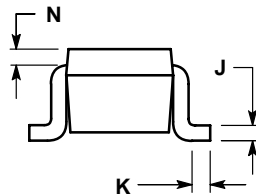
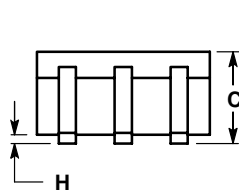
SC-88 (SOT-363)
CASE 419B-02
ISSUE T



\oplus	0.2 (0.008)	M	B	M
----------	-------------	---	---	---

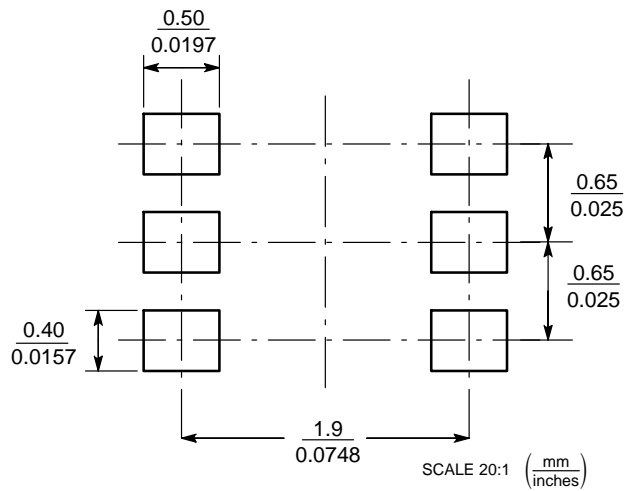
- NOTES:
1. DIMENSIONING AND TOLERANCING PER ANSI Y14.5M, 1982.
2. CONTROLLING DIMENSION: INCH.
3. 419B-01 OBSOLETE, NEW STANDARD 419B-02.

DIM	INCHES		MILLIMETERS	
	MIN	MAX	MIN	MAX
A	0.071	0.087	1.80	2.20
B	0.045	0.053	1.15	1.35
C	0.031	0.043	0.80	1.10
D	0.004	0.012	0.10	0.30
G	0.026 BSC		0.65 BSC	
H	---	0.004	---	0.10
J	0.004	0.010	0.10	0.25
K	0.004	0.012	0.10	0.30
N	0.008 REF		0.20 REF	
S	0.079	0.087	2.00	2.20

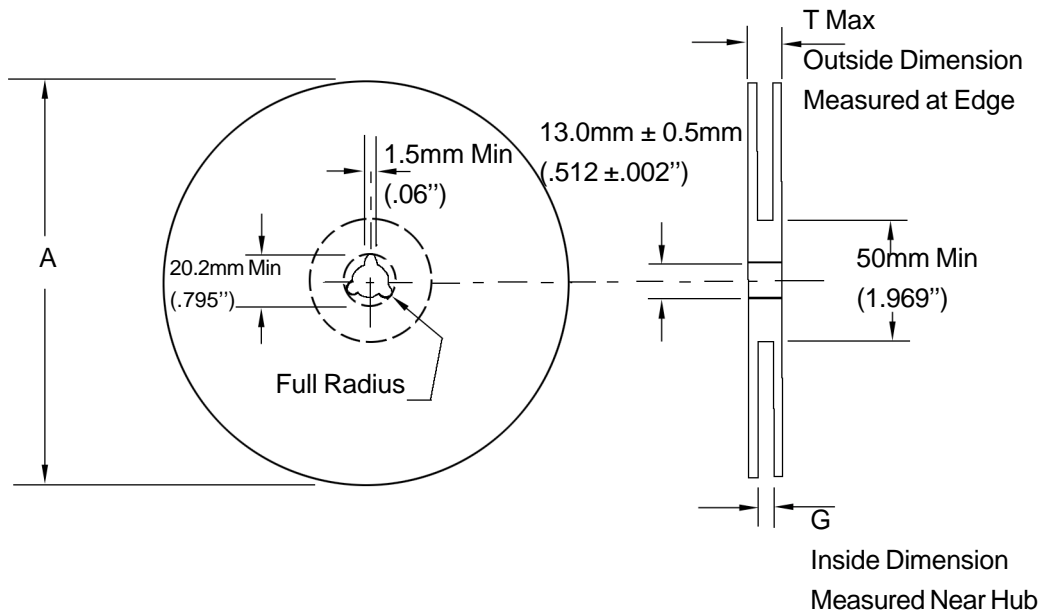


- STYLE 1:
PIN 1. EMITTER 2
2. BASE 2
3. COLLECTOR 1
4. EMITTER 1
5. BASE 1
6. COLLECTOR 2

SOLDERING FOOTPRINT*



EMBOSSED TAPE AND REEL DATA FOR DISCRETES



Size	A Max	G	T Max
8 mm	178.0mm (7.0")	8.4mm+1.5mm, -0.0 (.33"+.039", -0.00)	10.9mm (.43")

Reel Dimensions

Metric Dimensions Govern — English are in parentheses for reference only

Storage Conditions

Temperature: 5 to 40 Deg.C (20 to 30 Deg. C is preferred)

Humidity: 30 to 80 RH (40 to 60 is preferred)

Recommended Period: One year after manufacturing

(This recommended period is for the soldering condition only. The characteristics and reliabilities of the products are not restricted to this limitation)

Shipment Specification

