

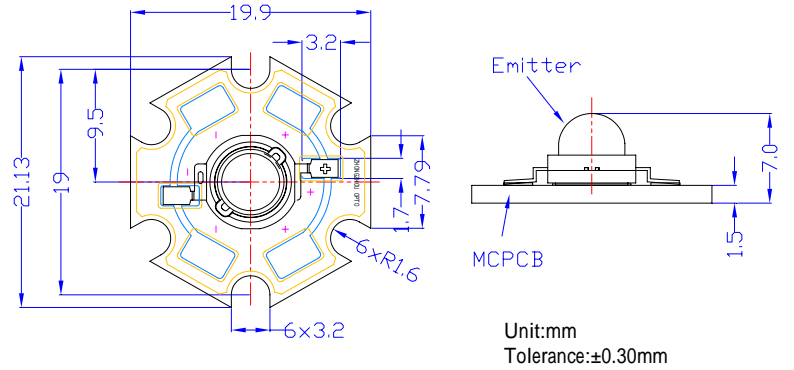
■Features

- Highest Luminous Flux
- Super Energy Efficiency
- Long Lifetime Operation
- Superior ESD protection
- Superior UV Resistance

■Applications

- Electronic Signs And Signals
- Small Area Illuminations
- Back Lighting
- Other Lighting
- Bollards / Security / Garden
- Traffic signaling / Beacons

■Outline Dimension

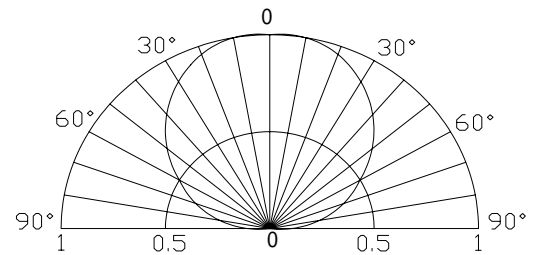


■Absolute Maximum Rating

(Ta=25)

Item	Symbol	Value		Unit
		W/M/B/G	R	
DC Forward Current	I _F	400	400	mA
Pulse Forward Current*	I _{FP}	500	500	mA
Reverse Voltage	V _R	5	5	V
Power Dissipation	P _D	1600	1200	mW
Operating Temperature	Topr	-40 ~ +85		
Storage Temperature	Tstg	-40 ~ +85		
Lead Soldering Temperature	Tsol	260 /5sec		-

■Directivity



*Pulse width Max 0.1ms, Duty ratio max 1/10

Electrical -Optical Characteristics

(Ta=25)

Part Number	Color		V _F (V)			I _R (μA)	v(lm)*			λD(nm)*			2θ1/2(deg)
			Min.	Typ.	Max.	Max.	Min.	Typ.	Max.	Min.	Typ.	Max.	Typ.
			I _F =350mA			V _R =5V		I _F =350mA					
OSW4XME1C1S	White	W	3.0	3.3	4.0	10	90	100	-	X=0.31, Y=0.33			120
OSM5XME1C1S	Warm White	M	3.0	3.3	4.0	10	80	90		X=0.45, Y=0.41			120
OSB5XME1C1S	Blue	B	3.0	3.3	4.0	10	10	15	-	465	470	475	120
OSG5XME1C1S	Pure Green	G	3.0	3.3	4.0	10	65	75	-	520	525	530	120
OSR5XME1C1S	Red	R	2.0	2.3	3.0	10	40	50	-	620	625	630	120

Note: *1. Tolerance of chromaticity coordinates is ±10%

*2. Dominant wavelength tolerance: ±1nm

*3. Tolerance of luminous Flux is ±15%