

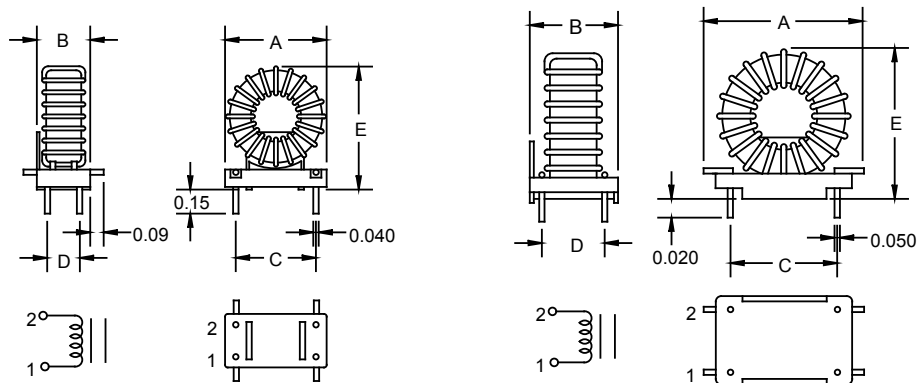
High Current Toroid Inductors (with header)

Special Features

- Low radiation
- High current capacity
- High inductance
- Mounted on VW-1 rated header
- Fixed pins for easy PCB insertion
- Operating temperature:
-55 - +105°C

6700 Series									
Part Number	L (μH)	I (A)	L (μH)	DCR	Dim. A	Dim. B	Dim. C	Dim. D	Dim. E
	±15% @ 1KHz	Max.	Min. @ I rated	Ω Max.	Max.	Max.	±0.015	±0.015	Max.
6701	10	11.0	5	0.008	0.875	0.425	0.600	0.250	1.00
6702	25	5.50	12	0.014	0.875	0.425	0.600	0.250	1.00
6703	125	2.75	70	0.12	0.875	0.425	0.600	0.250	1.00
6704	275	2.00	150	0.24	0.875	0.425	0.600	0.250	1.00
6705	450	1.50	250	0.49	0.875	0.425	0.600	0.250	1.00
6706	25	9.00	15	0.012	1.125	0.600	0.800	0.400	1.25
6707	75	5.00	40	0.04	1.125	0.600	0.800	0.400	1.25
6708	400	2.25	225	0.33	1.125	0.600	0.800	0.400	1.25
6709	800	1.75	475	0.64	1.125	0.600	0.800	0.400	1.25
6710	1000	1.50	675	0.98	1.125	0.600	0.800	0.400	1.25
6711	50	9.50	25	0.012	1.250	0.800	0.900	0.600	1.375
6712	150	4.75	85	0.046	1.250	0.800	0.900	0.600	1.375
6713	700	2.25	400	0.42	1.250	0.800	0.900	0.600	1.375
6714	1250	1.75	750	0.85	1.250	0.800	0.900	0.600	1.375
6715	1600	1.50	950	1.27	1.250	0.800	0.900	0.600	1.375
6716	125	7.75	65	0.032	1.812	0.900	1.200	0.700	1.95
6717	500	4.00	275	0.15	1.812	0.900	1.200	0.700	1.95
6718	1100	2.50	650	0.33	1.812	0.900	1.200	0.700	1.95
6719	2250	1.75	1350	0.92	1.812	0.900	1.200	0.700	1.95
6720	4500	1.25	2700	2.64	1.812	0.900	1.200	0.700	1.95
6721	250	8.00	125	0.041	2.125	1.100	1.500	0.900	2.25
6722	900	3.75	500	0.175	2.125	1.100	1.500	0.900	2.25
6723	1800	2.50	1000	0.55	2.125	1.100	1.500	0.900	2.25
6724	4000	1.75	2100	1.16	2.125	1.100	1.500	0.900	2.25
6725	8000	1.00	4500	3.34	2.125	1.100	1.500	0.900	2.25
6726	25	2.50	16	0.040	0.550	0.425	0.600	0.250	1.00
6727	35	2.50	29	0.035	0.700	0.425	0.600	0.250	1.00
6728	50	2.50	35	0.060	0.750	0.425	0.600	0.250	1.00
6729	100	2.50	70	0.080	0.850	0.425	0.600	0.250	1.00
6730	70	3.00	50	0.050	0.850	0.425	0.600	0.250	1.00
6731	40	4.00	30	0.025	0.850	0.425	0.600	0.250	1.00

Also available as RoHS compliant.



6701-6705 & 6726-6731

6706-6725

Dimensions: Inches

J.W. Miller
MAGNETICS

306 E. Alondra Blvd. Gardena, CA 90247-1059 • Phone (310) 515-1720 • FAX (310) 515-1962

www.jwmiller.com