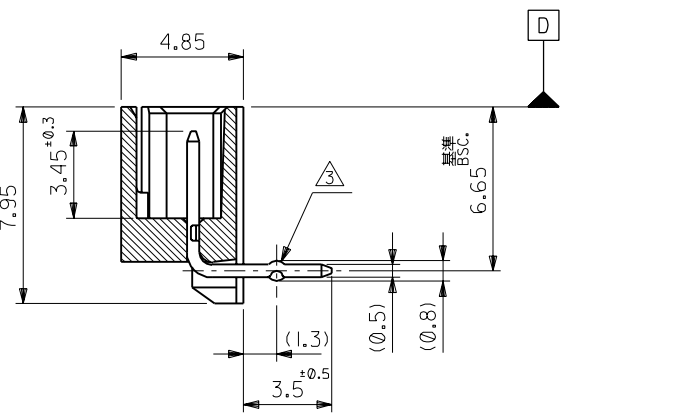
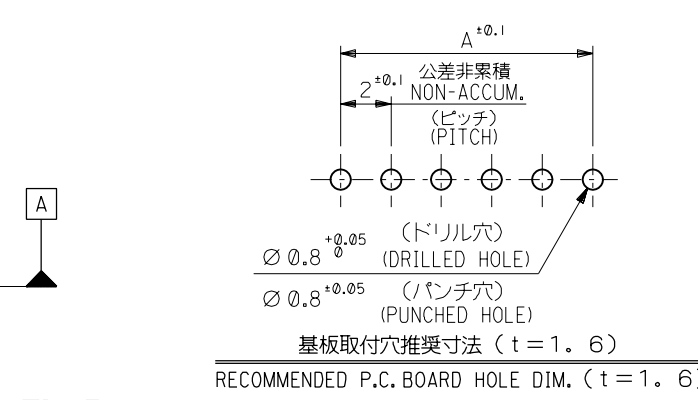
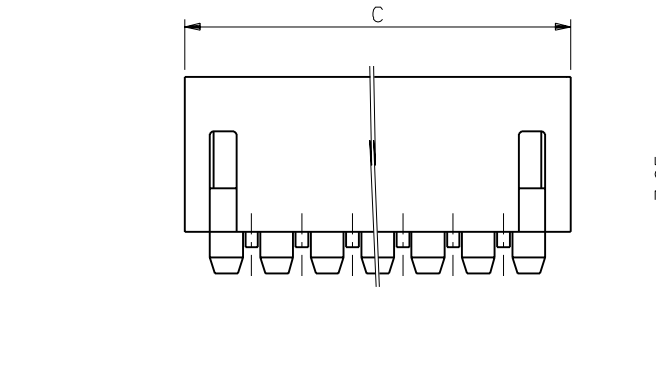
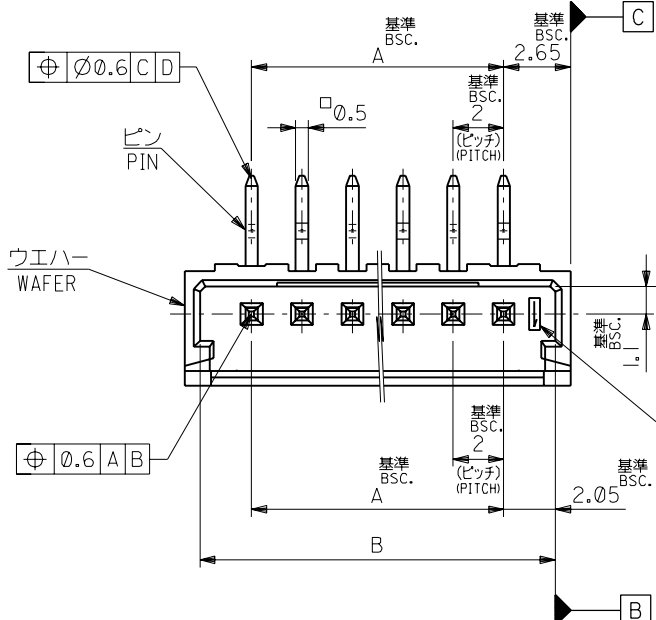


DWG. NO. SD-53325-001



注記 NOTES

- 嵌合相手: 51090-***00, 52484-***1
MATES WITH
- 材質 MATERIAL
ウエハー: PBT (ガラス15%入り) UL94V-0
WAFER: PBT (G.F. 15%), UL94V-0
ピン: 黄銅, スズメッキ
PIN: BRASS, PRE-TINNED

△ キングは全ピンに交互に付加。2極はキング無し。
SET KINK ALTERNATELY TO ALL CIRCUITS.
CIRCUIT 2 HAS NO KINK.

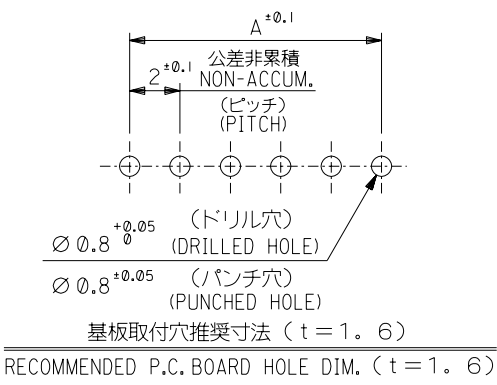
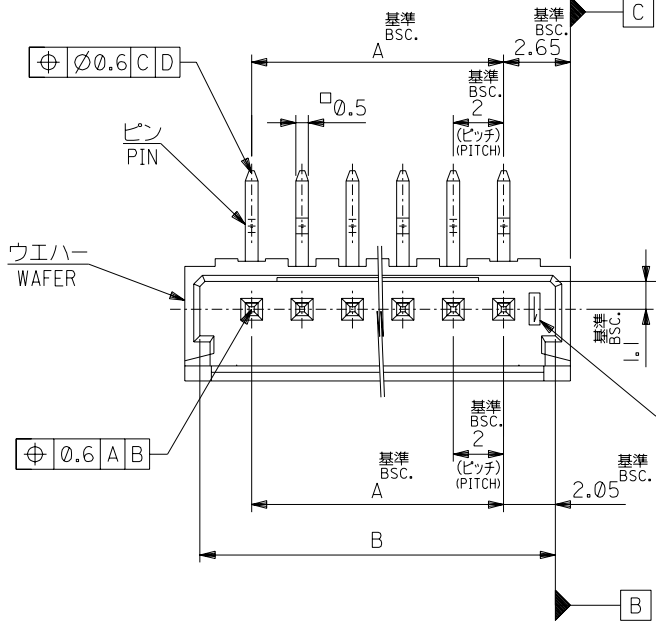
△ 製品番号 ENG. NO. 53325-*** | *

極数CIRCUIT SIZE	色COLOR	ナチュラル (白) NATURAL (WHITE)	0
	赤 RED		2
	黄 YELLOW		3
	青 BLUE		4

33.3	32.1	28	53325-151*	15
31.3	30.1	26	-14*	14
29.3	28.1	24	-13*	13
27.3	26.1	22	-12*	12
25.3	24.1	20	-11*	11
23.3	22.1	18	-10*	10
21.3	20.1	16	-09*	9
19.3	18.1	14	-08*	8
17.3	16.1	12	-07*	7
15.3	14.1	10	-06*	6
13.3	12.1	8	-05*	5
11.3	10.1	6	-04*	4
9.3	8.1	4	-03*	3
7.3	6.1	2	53325-021*	2
C	B	A	△ 4. ENG. NO.	極数CKT.

DO NOT SCALE DRAWING		MATERIAL 材料		GENERAL TOLERANCES: (UNLESS SPECIFIED) 一般公差		SCALE 5-1	DESIGN UNITS <input checked="" type="checkbox"/> mm <input type="checkbox"/> INCH	DIMENSIONS: <input type="checkbox"/> mm <input type="checkbox"/> INCH <input checked="" type="checkbox"/> mm ONLY		SHT	REV
064 NO.	DRWN: CH'K: APPR:	063 NO.	DRWN: CH'K: APPR:	062 NO.	DRWN: CH'K: APPR:	10 UNDER 未満	±0.2	DRAWN BY & DATE <i>K. Sakamoto</i> '02/01/15		TITLE: 2.0 WIRE TO BOARD CONN. WAFER ASS'Y (R/A)	
061 NO.	DRWN: CH'K: APPR:	060 NO.	DRWN: CH'K: APPR:	059 NO.	DRWN: CH'K: APPR:	10 OVER 30 UNDER 未満	±0.25	CHECKED BY & DATE <i>J. Yagawa</i> '02/01/15		MOLEX MOLEX INCORPORATED	
058 NO.	DRWN: CH'K: APPR:	057 NO.	DRWN: CH'K: APPR:	056 NO.	DRWN: CH'K: APPR:	30 OVER 以上	±0.3	APPROVED BY & DATE <i>Y. Ito</i> '02/01/15		CAD FILENAME 53325001.S01	
055 NO.	DRWN: CH'K: APPR:	054 NO.	DRWN: CH'K: APPR:	053 NO.	DRWN: CH'K: APPR:	ANGLE 角度	±3°	MATERIAL NO. SEE CHART		DRAWING NO. SD-53325-001	
052 NO.	DRWN: CH'K: APPR:	051 NO.	DRWN: CH'K: APPR:	050 NO.	DRWN: CH'K: APPR:			MATERIAL NO. SEE CHART		DRAWING NO. SD-53325-001	
049 NO.	DRWN: CH'K: APPR:	048 NO.	DRWN: CH'K: APPR:	047 NO.	DRWN: CH'K: APPR:			MATERIAL NO. SEE CHART		DRAWING NO. SD-53325-001	
046 NO.	DRWN: CH'K: APPR:	045 NO.	DRWN: CH'K: APPR:	044 NO.	DRWN: CH'K: APPR:			MATERIAL NO. SEE CHART		DRAWING NO. SD-53325-001	
043 NO.	DRWN: CH'K: APPR:	042 NO.	DRWN: CH'K: APPR:	041 NO.	DRWN: CH'K: APPR:			MATERIAL NO. SEE CHART		DRAWING NO. SD-53325-001	
040 NO.	DRWN: CH'K: APPR:	039 NO.	DRWN: CH'K: APPR:	038 NO.	DRWN: CH'K: APPR:			MATERIAL NO. SEE CHART		DRAWING NO. SD-53325-001	
037 NO.	DRWN: CH'K: APPR:	036 NO.	DRWN: CH'K: APPR:	035 NO.	DRWN: CH'K: APPR:			MATERIAL NO. SEE CHART		DRAWING NO. SD-53325-001	
034 NO.	DRWN: CH'K: APPR:	033 NO.	DRWN: CH'K: APPR:	032 NO.	DRWN: CH'K: APPR:			MATERIAL NO. SEE CHART		DRAWING NO. SD-53325-001	
031 NO.	DRWN: CH'K: APPR:	030 NO.	DRWN: CH'K: APPR:	029 NO.	DRWN: CH'K: APPR:			MATERIAL NO. SEE CHART		DRAWING NO. SD-53325-001	
028 NO.	DRWN: CH'K: APPR:	027 NO.	DRWN: CH'K: APPR:	026 NO.	DRWN: CH'K: APPR:			MATERIAL NO. SEE CHART		DRAWING NO. SD-53325-001	
025 NO.	DRWN: CH'K: APPR:	024 NO.	DRWN: CH'K: APPR:	023 NO.	DRWN: CH'K: APPR:			MATERIAL NO. SEE CHART		DRAWING NO. SD-53325-001	
022 NO.	DRWN: CH'K: APPR:	021 NO.	DRWN: CH'K: APPR:	020 NO.	DRWN: CH'K: APPR:			MATERIAL NO. SEE CHART		DRAWING NO. SD-53325-001	
019 NO.	DRWN: CH'K: APPR:	018 NO.	DRWN: CH'K: APPR:	017 NO.	DRWN: CH'K: APPR:			MATERIAL NO. SEE CHART		DRAWING NO. SD-53325-001	
016 NO.	DRWN: CH'K: APPR:	015 NO.	DRWN: CH'K: APPR:	014 NO.	DRWN: CH'K: APPR:			MATERIAL NO. SEE CHART		DRAWING NO. SD-53325-001	
013 NO.	DRWN: CH'K: APPR:	012 NO.	DRWN: CH'K: APPR:	011 NO.	DRWN: CH'K: APPR:			MATERIAL NO. SEE CHART		DRAWING NO. SD-53325-001	
010 NO.	DRWN: CH'K: APPR:	009 NO.	DRWN: CH'K: APPR:	008 NO.	DRWN: CH'K: APPR:			MATERIAL NO. SEE CHART		DRAWING NO. SD-53325-001	
007 NO.	DRWN: CH'K: APPR:	006 NO.	DRWN: CH'K: APPR:	005 NO.	DRWN: CH'K: APPR:			MATERIAL NO. SEE CHART		DRAWING NO. SD-53325-001	
004 NO.	DRWN: CH'K: APPR:	003 NO.	DRWN: CH'K: APPR:	002 NO.	DRWN: CH'K: APPR:			MATERIAL NO. SEE CHART		DRAWING NO. SD-53325-001	
001 NO.	DRWN: CH'K: APPR:	000 NO.	DRWN: CH'K: APPR:					MATERIAL NO. SEE CHART		DRAWING NO. SD-53325-001	

DWG. NO. SD-53325-002



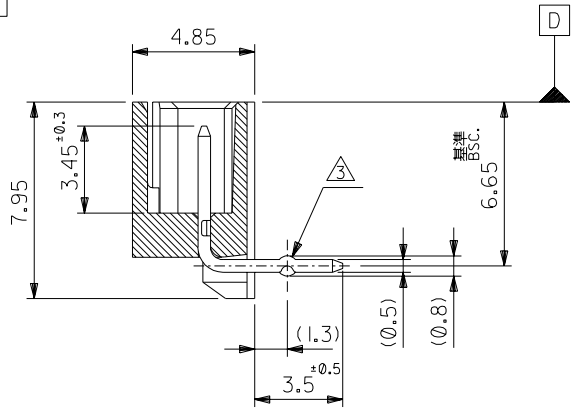
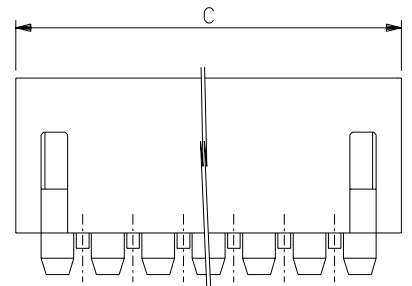
- 注記 NOTES
1. 嵌合相手 : 51090-***00, 52484-***1*
MATES WITH
 2. 材質
MATERIAL
ウエハー : PBT (ガラス15%入り)
UL 94V-0
WAFER : PBT (G.F. 15%), UL94V-0
ピン : 黄銅、スズメッキ
PIN : BRASS, PRE-TINNED

△ キングは全ピンに交互に付加。2極はキング無し。
SET KINK ALTERNATELY TO ALL CIRCUITS.
CIRCUIT 2 HAS NO KINK.

△ 製品番号
MATERIAL NO.
53325-***6*
極数CIRCUIT SIZE 色COLOR

ナチュラル (白) NATURAL (WHITE)	0
赤 RED	2
黄 YELLOW	3
青 BLUE	4

無鉛
LEAD FREE



15	33.3	32.1	28	53325-156*	53325-***6*
14	31.3	30.1	26	-146*	
13	29.3	28.1	24	-136*	
12	27.3	26.1	22	-126*	
11	25.3	24.1	20	-116*	
10	23.3	22.1	18	-106*	
9	21.3	20.1	16	-096*	
8	19.3	18.1	14	-086*	
7	17.3	16.1	12	-076*	
6	15.3	14.1	10	-066*	
5	13.3	12.1	8	-056*	
4	11.3	10.1	6	-046*	
3	9.3	8.1	4	-036*	
2	7.3	6.1	2	53325-026*	
極数 CKT.	C	B	A	△ MATERIAL NO.	

DO NOT SCALE DRAWING

64 NO. DRWN: CH'K: APPR:	63 NO. DRWN: CH'K: APPR:	62 NO. DRWN: CH'K: APPR:	61 NO. DRWN: CH'K: APPR:	RELEASED 60 NO. J2003-1741 DRWN: S.SHIBATA 02/12/25 CH'K: T.KANEKO 02/12/25 APPR: YO.ITO 02/12/25	DESCRIPTION MATERIAL 材料 FINISH 仕上り WIRE RANGE 適用層線範囲 INS. RANGE 被覆外径
				A	# # #

注記参照
SEE NOTES

GENERAL TOLERANCES: (UNLESS SPECIFIED) 一般公差	SCALE 5-1	DESIGN UNITS <input checked="" type="checkbox"/> mm <input type="checkbox"/> INCH	PROJECTION <input checked="" type="checkbox"/> FIRST ANGLE <input type="checkbox"/> THIRD ANGLE
10 UNDER 未満	±0.2	DRAWN BY & DATE S. Shibata 02/12/25	TITLE: 2.0 WIRE TO BOARD CONN. WAFER ASS'Y (R/A)
10 OVER 以上 30 UNDER 未満	±0.25	CHECKED BY & DATE Y. Nagawa 02/12/25	MOLEX INCORPORATED
30 OVER 以上	±0.3	APPROVED BY & DATE Y. Ito 02/12/25	
ANGLE 角度	±3°	CAD FILENAME SD-53325-002.DGN	MATERIAL NO. SEE CHART

DIMENSIONS: <input type="checkbox"/> mm <input type="checkbox"/> INCH <input checked="" type="checkbox"/> mm <input type="checkbox"/> INCH ONLY	SHT	REV
REVISE ON CAD ONLY		
MATERIAL NO. SEE CHART		
DRAWING NO. SD-53325-002	SHEET NO. 1 OF 1	
THIS DRAWING CONTAINS INFORMATION THAT IS PROPRIETARY TO MOLEX INCORPORATED AND SHOULD NOT BE USED WITHOUT WRITTEN PERMISSION.		
SIZE B		