

6

5

4

3

2

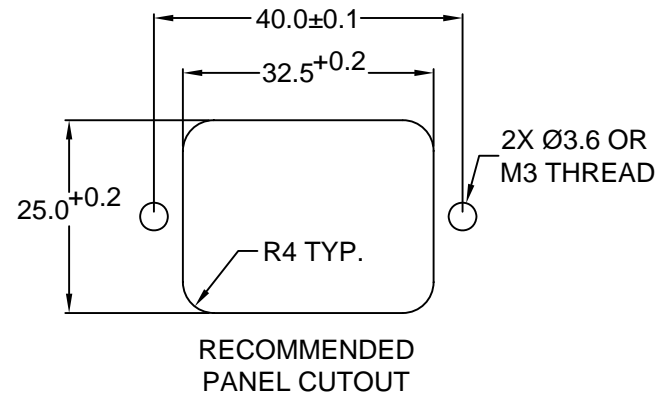
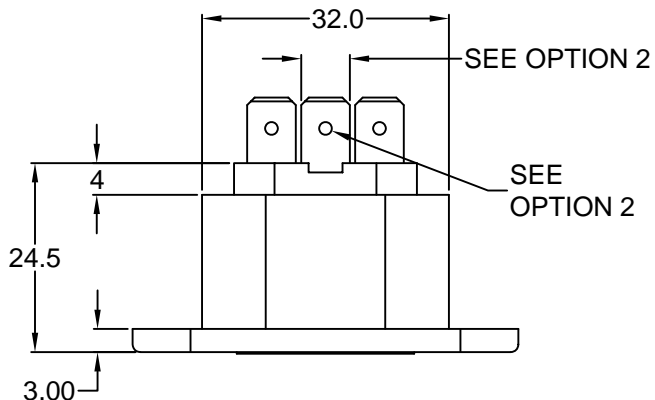
1

MATERIAL AND FINISH:

Insulator: Polycarbonate, UL-94V-0 rated
Contacts: Brass

ELECTRICAL SPECIFICATIONS:

Current rating: 10 A/15 A
Voltage rating: 250 VAC
Insulation resistance: 100 Mohm min. at 500 VDC
Dielectric withstanding voltage: 2000 VAC for one minute



ORDERING CODE:

43R03-1 _ _ _
1 2 3

1) COLOR



1 = BLACK
2 = GRAY





2) TERMINAL OPTIONS

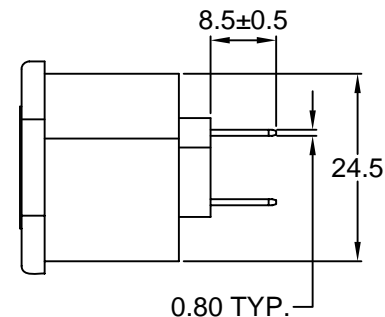
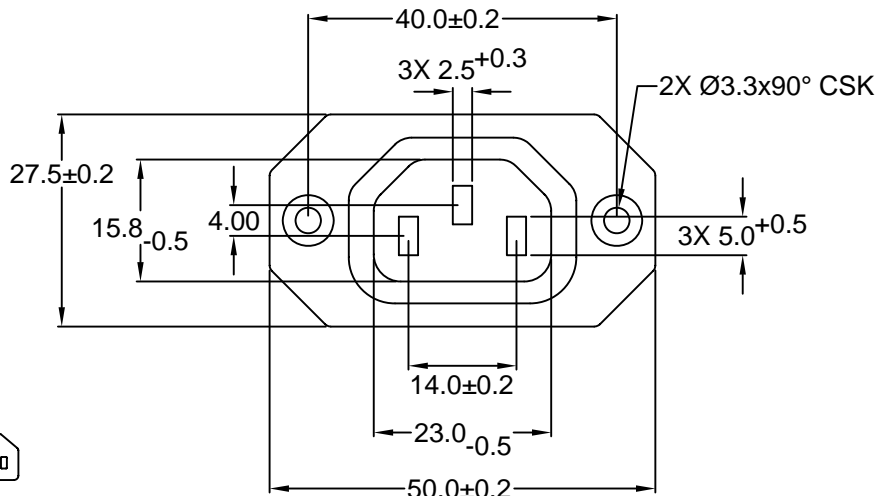
1 = .187(4.8) WITH Ø1.4
2 = .250(6.3) WITH Ø1.65

3) ELECTRICAL CIRCUIT CONFIGURATION

1 = 10A 250V 70°C 

15A 250V 70°C   

2 = 10A 250V 120°C 
15A 250V 120°C   



RoHS
COMPLIANT

TOLERANCE UNLESS OTHERWISE SPECIFIED		
X	±	1
X.X	±	0.4
X.XX	±	0.20
DRAWN BY	GQ	DATE: 10/05/01
CHECK BY	TD	DATE: 10/09/01
APPR BY	PB	DATE: 10/09/01

Power Dynamics, Inc.
Phone: 973 560-0019 Whippany, New Jersey Fax: 973 560-0076

PART: 10A/15A IEC 60320 APPL. OUTLET; QC
TERMINALS; SIDE FLANGE, PANEL MOUNT

PART #: 43R03-1XXX		SHEET 1 of 1
SIZE: A	ALL DIMENSIONS FOR REFERENCE ONLY DIMENSIONS ARE IN MILLIMETERS	
SCALE: NTS	REV:	

REVISIONS	CHNG	CHECK	APPR
	CHANGE		
	DATE		
	REV		

6

5

4

3

2

1