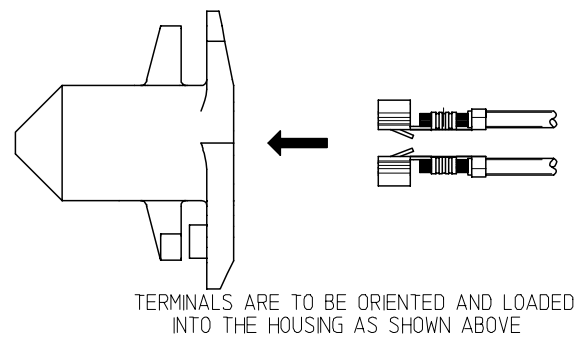
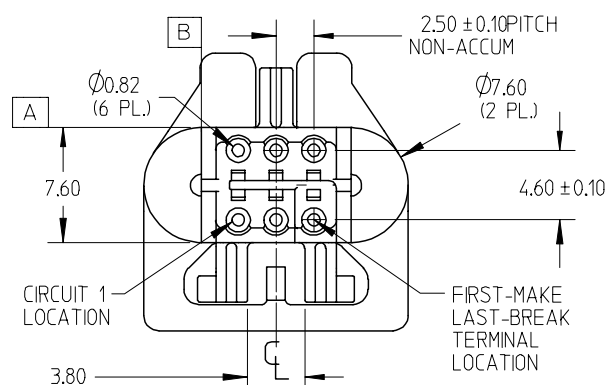
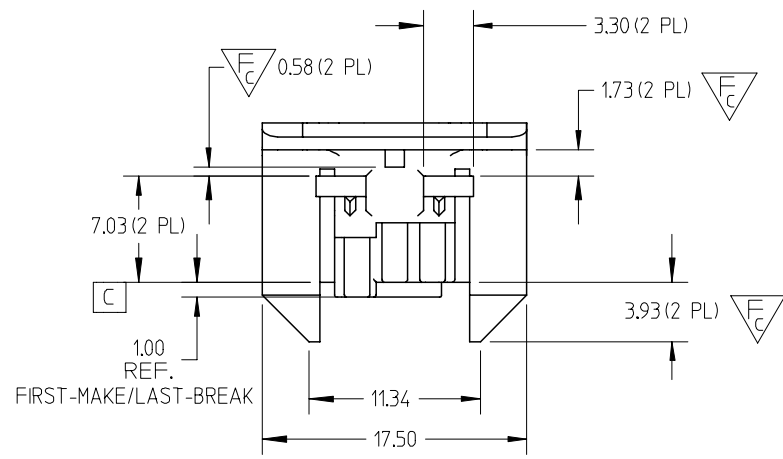
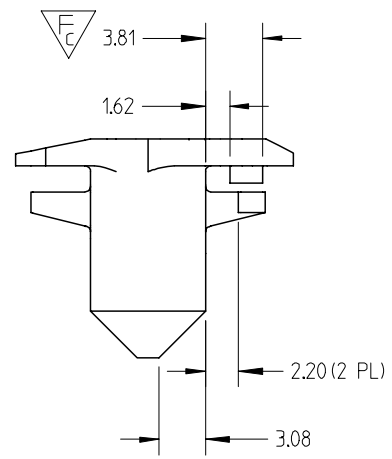
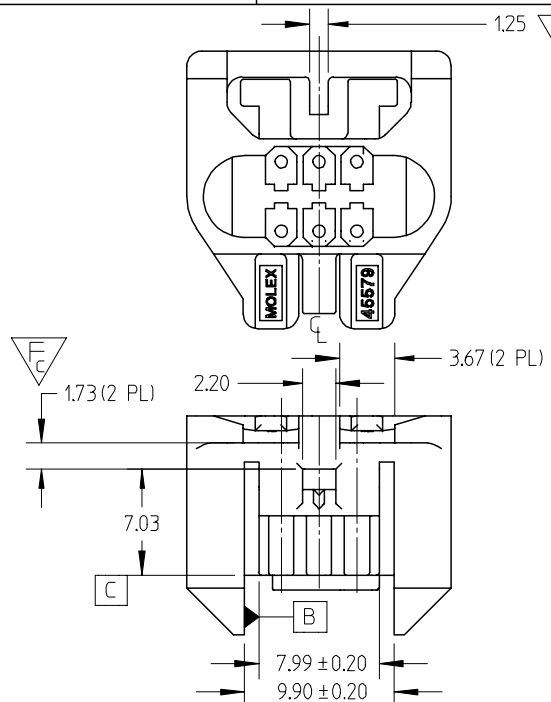
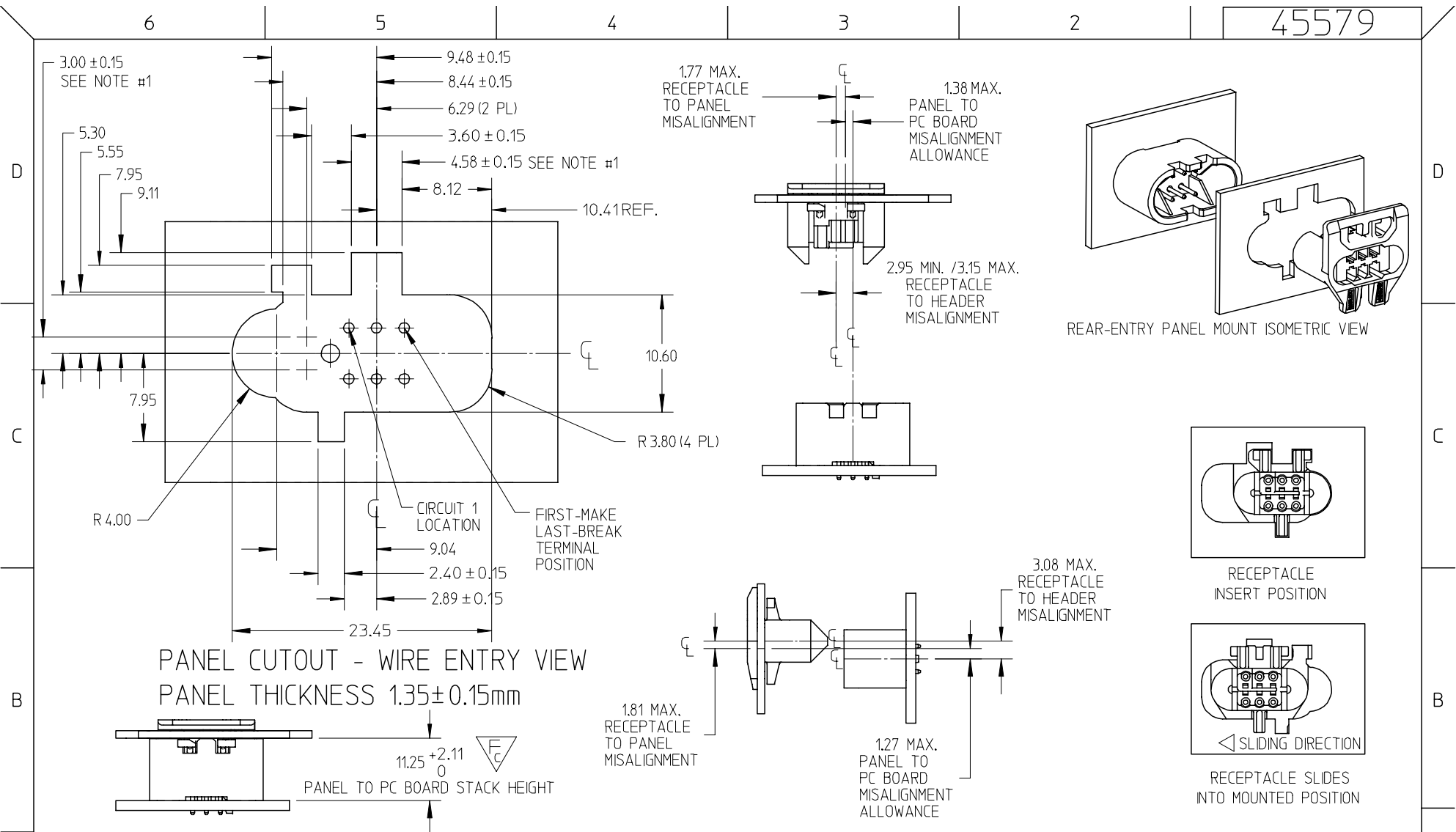


- NOTES:  
 1. MATERIAL: POLYESTER, UL94V-0, COLOR: BLACK.  
 2. PRODUCT SPEC - PS-45579-001.  
 3. USES FEMALE CRIMP TERMINALS, SERIES 5263 (NOTE THE ORIENTATION OF TERMINALS).  
 4. PART MATES WITH MOLEX HEADER SERIES 45578.  
 5. PACKAGING: BULK.  
 6. SEE PAGE 2 OF 2 FOR PANEL CUTOUT DIMENSIONS AND THE ALLOWED BOARD TO PANEL MISALIGNMENT.



REVISED PER EC EC NO: UCP2006-1789 DRWN: DROSCA 2006/02/02 CH'KD: 2006/02/02 APPR: JCOMERC 2006/02/06 REV E1	QUALITY SYMBOLS -0 C-0 Fc=6	GENERAL TOLERANCES (UNLESS SPECIFIED) mm INCH 4 PLACES ± --- ± --- 3 PLACES ± --- ± --- 2 PLACES ± 0.25 ± --- 1 PLACE ± 0.3 ± --- ANGULAR ± 1/2° DRAFT WHERE APPLICABLE MUST REMAIN WITHIN DIMENSIONS	SCALE 2:1 DESIGN UNITS METRIC DIMENSION STYLE MM ONLY DRAWN BY DATE TGREGORI 2003/07/02 CHECKED BY DATE MCARRANZ 2003/07/03 APPROVED BY DATE APATEL 2003/07/07	THIRD ANGLE PROJECTION TITLE SPOX BMI RECEPTACLE HOUSING, 6 PIN REAR-ENTRY PANEL MOUNT MOLEX INCORPORATED MATERIAL NO. 45579-0001 DOCUMENT NO. SD-45579-001 SHEET NO. 1 OF 2	REVISE ON CAD ONLY	



NOTES:  
1. USE THIS DIMENSION TO ESTABLISH CENTERLINE OF THE PANEL CUTOUT

SEE SHEET 1 EC NO: UCP2006-1789 DRWN: DROSCA 2006/02/02 CHK'D: 2006/02/02 APPR: JCOMERC 2006/02/06	QUALITY SYMBOLS	GENERAL TOLERANCES (UNLESS SPECIFIED)		SCALE 1:1	DESIGN UNITS METRIC	THIRD ANGLE PROJECTION	REVISE ON CAD ONLY
	▼ - 0	4 PLACES	± ---	± ---	DIMENSION STYLE MM ONLY		TITLE
	▽ - 1	3 PLACES	± ---	± ---	DRAWN BY TGREGORI	DATE 2003/07/02	SPOX BMI RECEPTACLE HOUSING, 6 PIN REAR-ENTRY PANEL MOUNT
		2 PLACES	± 0.25	± ---	CHECKED BY MCARRANZ	DATE 2003/07/03	MOLEX INCORPORATED
		1 PLACE	± 0.3	± ---	APPROVED BY APATEL	DATE 2003/07/07	MATERIAL NO. 45579-0001
		ANGULAR ± 1/2°				DOCUMENT NO. SD-45579-001	SHEET NO. 2 OF 2
		DRAFT WHERE APPLICABLE				THIS DRAWING CONTAINS INFORMATION THAT IS PROPRIETARY TO MOLEX INCORPORATED AND SHOULD NOT BE USED WITHOUT WRITTEN PERMISSION	
		MUST REMAIN WITHIN DIMENSIONS					A