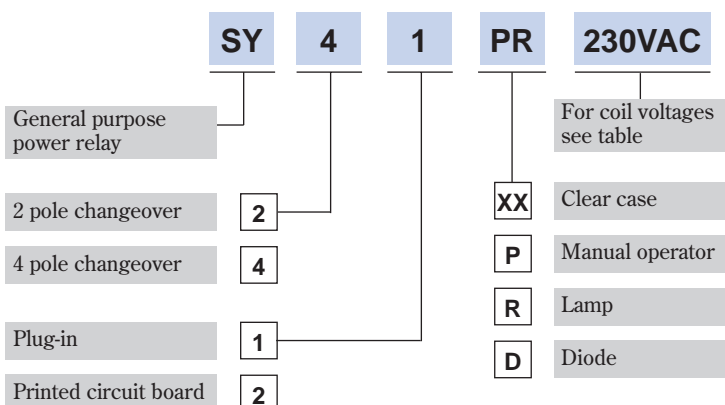


General purpose 5 amp Plug In Power Relay, available in 2PCO & 4PCO

- Arc barriers prevent flashover between contacts
- Manual operator for circuit testing option
- LED operation indicator option
- Built in coil diode option
- UL, CSA & TUV approvals



Options and ordering codes



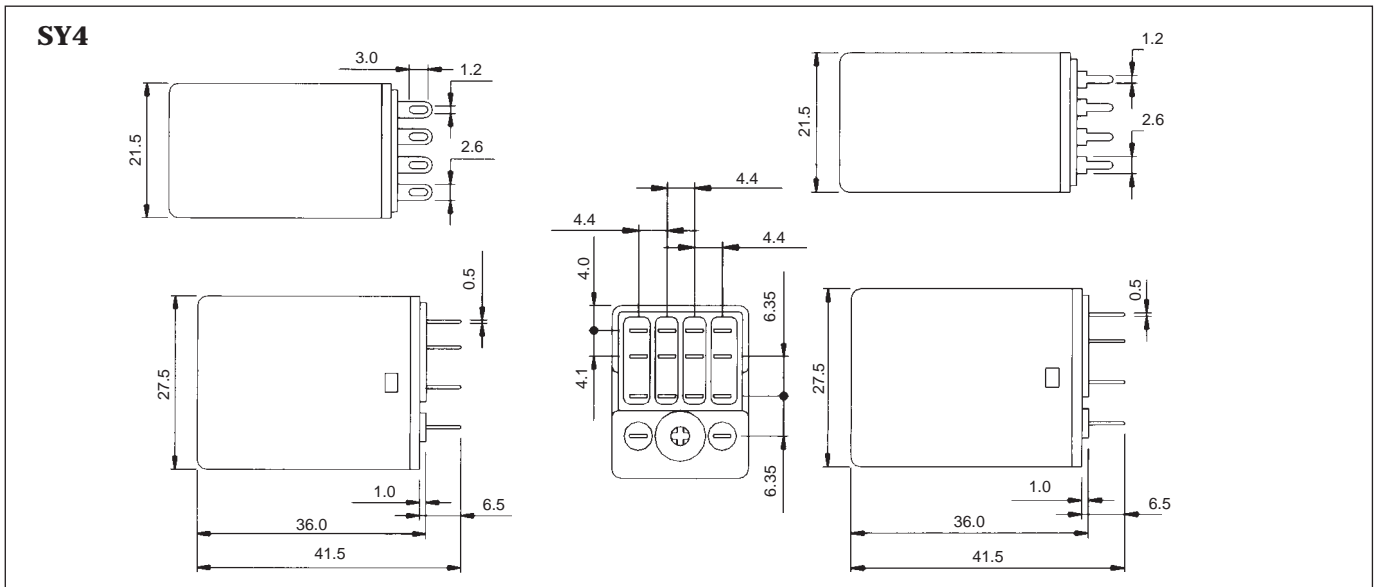
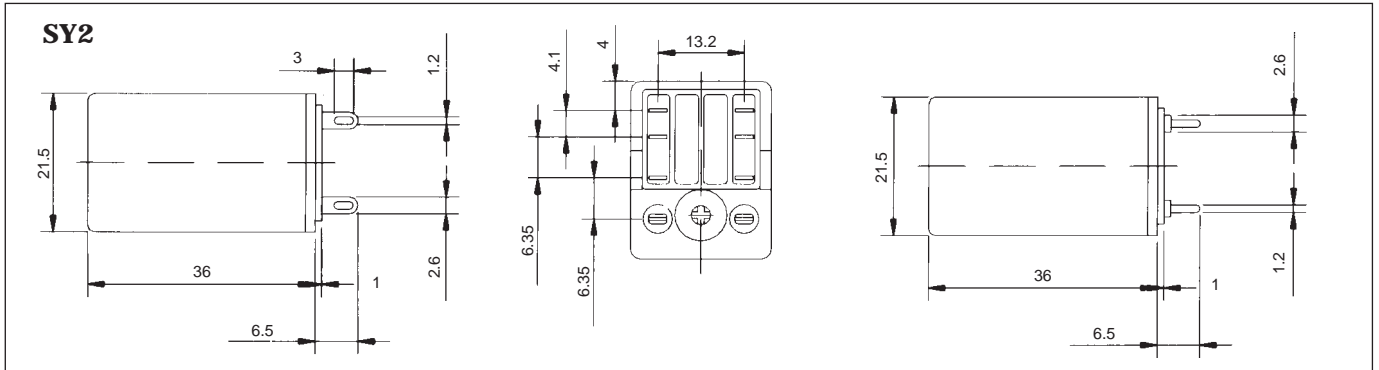
Specifications

	Resistive	Inductive
Rated load	5A @ 240V AC/28V DC	2A @ 240V AC/24V DC
Rated current	5A	
Maximum switching voltage	250V AC/125V DC	
Maximum switching capacity	1200VA/140W@24V DC	480VA/48W@24V DC
Minimum switching capacity	1mA 5V DC	
Operate time	20 m sec max	
Release time	20 m sec max	
Maximum operate frequency	1800 ops/hr at rated load, 18,000 ops/hr mechanical	
Dielectric strength	2000V AC 50/60Hz for 1 min	
Ambient operating temperature	-25 to +55°C	
Mechanical service life	10 million ops minimum	
Electrical service life	100,000 ops at rated load	
Protection degree	IP40	
Contact material	Ag	
Voltage range	80 - 110%	
Power consumption	1.2VA AC 0.9 watts DC	

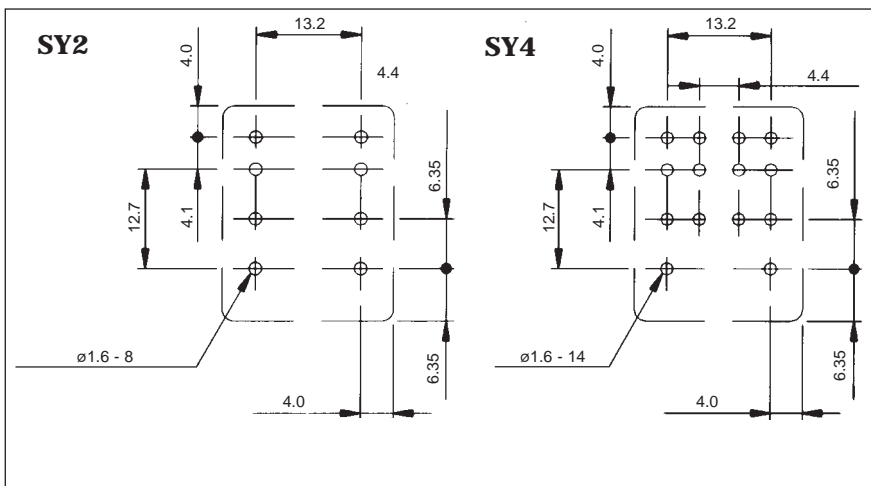
Coil Data

Rated Voltage	AC Coils		DC Coils	
	Coil res. Ohms	Rated current	Coil res. Ohms	Rated current
12	40	100 mA	160	75 mA
24	160	50 mA	650	37 mA
110	3400	11 mA	11000	10 mA
230	13600	7.7 mA	—	—

Outline dimensions (mm)



PCB layout



Terminal arrangement

