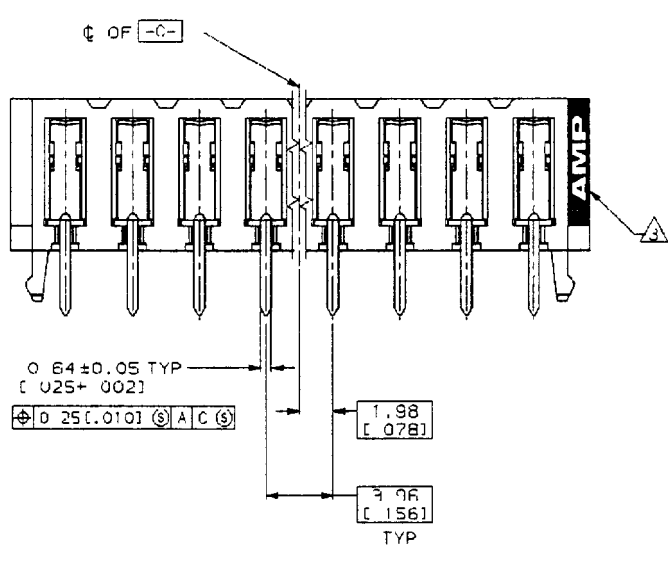
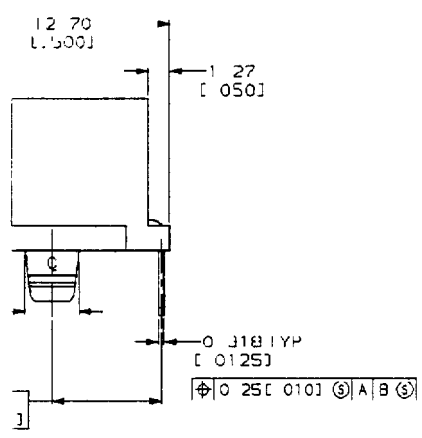


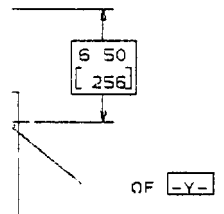
134-090/107/119

REV	DATE	DESCRIPTION	BY	CHK	APP
0		PROPOSED	4 13 95	FR	PS
A		REV PER 0010-0690-95	5-26-95	FR	PS
B		REV PER 0010-1504-95	1-11-96	EB	PS
C		REV PER 0010-0311-96	7-19-96	EB	PS



- ① HOUSING. THERMOPLASTIC, COLOR. BLACK
- ② CONTACTS PHOSPHOR BRONZE
- ③ CONTACTS 0.00254 [0.000100] MIN TIN LEAD OVER 0 00127 [0.00050] MIN NICKEL
- ④ CHARACTERS MOLDED IN TEXTURED AREA, AREA RAISED 0003-.0007

Ø 0.9 / 10.05 TYP [0.38 ± 0.002]  
 Ø 0.15 [0.006] (X) (Y) (S)

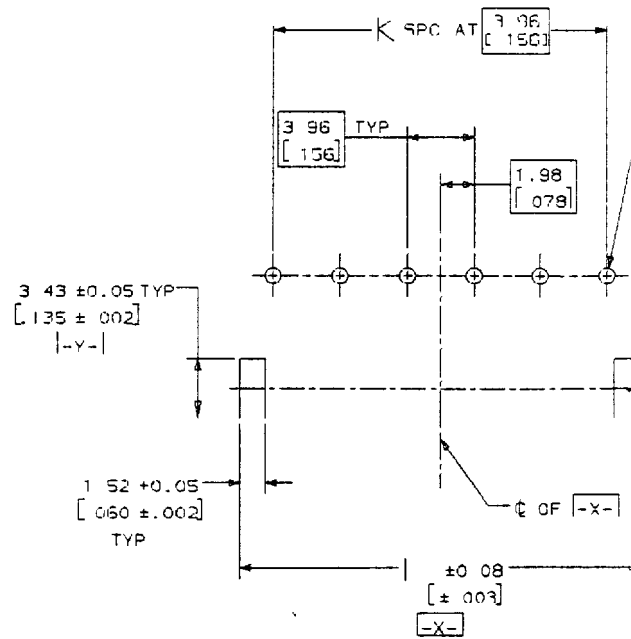
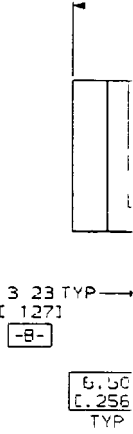
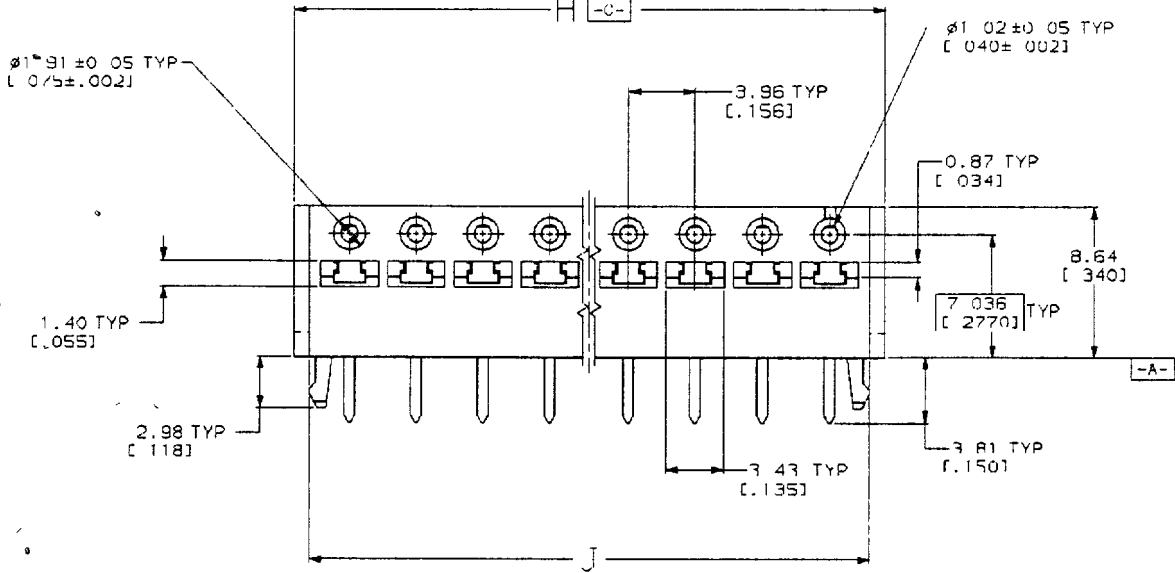


31.93 [1.257]	7	32.49 [1.279]	34.24 [1.348]	8	104930-3
24.05 [0.947]	5	24.56 [0.967]	26.31 [1.036]	6	104930-2
16.15 [0.636]	3	16.64 [0.655]	18.39 [0.724]	4	104930-1
I	K	J	H	NO OF POSN	PART NUMBER

DIMENSIONS: 1 (MPP)		TO DIMENSIONS UNLESS OTHERWISE SPECIFIED:		DATE: E. BRANDBERG 4-13-95 DATE: E. BRENNICH 4-13-96 DATE: P. BRENNICH 4-13-96		<b>AMP</b> AMP Incorporated Harrisburg, PA 17105-4608	
MATERIAL:		FINISH:		PRODUCT SPEC: 109 1565 APPLICATION SPEC: 114-25042		RECEPTACLE ASSEMBLY, RIGHT ANGLE, WIRE LOCK CONNECTOR	
CUSTOMER DRAWING		REV: A1		CASE CODE: 00779		DRIVING NO: 104930	

8 7 6 5 4

THIS DRAWING IS UNCLASSIFIED  
EXCEPT WHERE SHOWN OTHERWISE  
ALL RIGHTS RESERVED



RECOMMENDED PCB HOLE PA  
SCALE 10:1