

## FEATURES

- 2.5V and 3.3V power supply options
- Guaranteed AC parameters over temperature:
  - $f_{MAX} > 3.0\text{GHz}$
  - $< 35\text{ps}$  within-device skew
  - $< 350\text{ps}$   $t_r / t_f$
  - $< 490\text{ps}$  propagation delay (differential)
- Wide temperature range:  $-40^\circ\text{C}$  to  $+85^\circ\text{C}$
- Differential design
- $V_{BB}$  output
- Fully compatible with industry standard 100K I/O levels
- Available in 32-pin TQFP Package

## DESCRIPTION

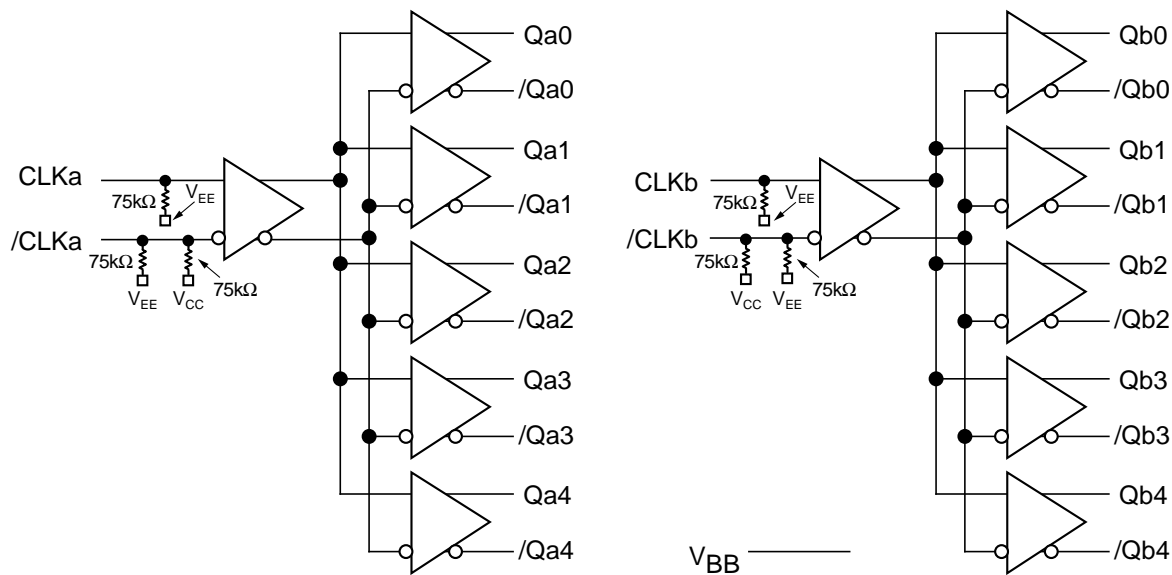
The SY100EP210U is a high-speed, precision low skew 1-to-5 dual differential clock driver. HSTL inputs can be used when the EP210U is operating in PECL mode.

The EP210U specifically guarantees critical AC parameters over temperature and voltage. Optimal design, layout, and processing minimize skew within device and from device-to-device.

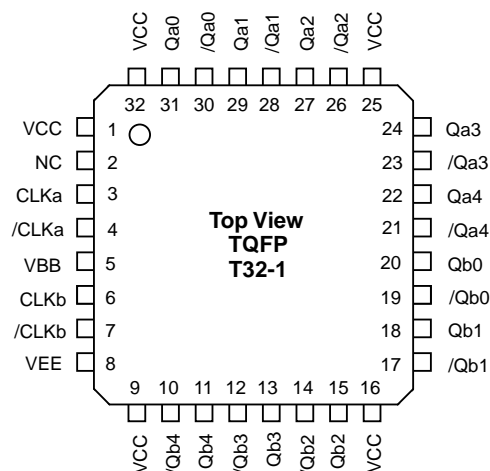
The SY100EP210U, as with most other ECL devices, can be operated from a positive  $V_{CC}$  supply in PECL mode. This allows the EP210U to be used for high performance clock distribution in +3.3V or +2.5V systems. Single-ended input operation is limited to a  $V_{CC} \geq 3.0\text{V}$  in PECL mode, or  $V_{EE} \leq -3.0\text{V}$  in ECL mode.

Designers can take advantage of the EP210U's performance to distribute low skew clocks across the backplane or to multiple points on a board.

## BLOCK DIAGRAM



**PIN CONFIGURATION**



**PIN NAMES**

Pin	Function
CLKa, /CLKa	LVPECL, LVECL, HSTL Clock Input: CLKa input includes a 75kΩ pull-down. Default is LOW if left floating. /CLKa includes both pull-up and pull-down resistors. Default condition is $V_{CC}/2$ .
CLKb, /CLKb	LVPECL, LVECL, HSTL Clock Input: CLKb input includes a 75kΩ pull-down. Default is LOW if left floating. /CLKb includes both pull-up and pull-down resistors. Default condition is $V_{CC}/2$ .
Qn0:4, /Qn0:4	LVPECL or LVECL Outputs: Terminate to $V_{CC}-2V$ . (see "Termination" section)
$V_{BB}$	Reference Voltage for Single-Ended Inputs: It provides the switching reference for the input differential amplifier. When used, bypass with a 0.0μF capacitor to the most positive reference (usually $V_{CC}$ ) as shown in Figure 3.
$V_{CC}$	Positive Power Supply: For LVPECL operation, connect $V_{CC}$ to 3.3V or 2.5V. For LVECL operation, connect to GND. Bypass with 0.1μF//0.01μF low ESR capacitors.
$V_{EE}$	Negative Power Supply: For LVPECL operation, connect to GND. For LVECL operation, connect to -3.3V or -2.5V.

**ABSOLUTE MAXIMUM RATINGS<sup>(1)</sup>**

Symbol	Rating	Value	Unit
$V_{CC} - V_{EE}$	Power Supply Voltage	6.0	V
$V_{IN}$	Input Voltage ( $V_{CC} = 0V$ , $V_{IN}$ not more negative than $V_{EE}$ ) Input Voltage ( $V_{EE} = 0V$ , $V_{IN}$ not more positive than $V_{CC}$ )	-6.0 to 0 +6.0 to 0	V V
$I_{OUT}$	Output Current -Continuous -Surge	50 100	mA
$I_{BB}$	$V_{BB}$ Sink/Source Current <sup>(2)</sup>	±0.5 to 0	mA
$T_A$	Operating Temperature Range	-40 to +85	°C
$T_{store}$	Storage Temperature Range	-65 to +150	°C
$\theta_{JA}$	Package Thermal Resistance (Junction-to-Ambient)	50 42	°C/W
$\theta_{JC}$	Package Thermal Resistance (Junction-to-Case)	20	°C/W

**NOTES:**

1. Permanent device damage may occur if ABSOLUTE MAXIMUM RATINGS are exceeded. This is a stress rating only and functional operation is not implied at conditions other than those detailed in the operational sections of this data sheet. Exposure to ABSOLUTE MAXIMUM RATING conditions for extended periods may affect device reliability.
2. Use for inputs of same package only.

**DC ELECTRICAL CHARACTERISTICS<sup>(1)</sup>**

Symbol	Parameter	T <sub>A</sub> = -40°C			T <sub>A</sub> = +25°C			T <sub>A</sub> = +85°C			Unit	Condition
		Min.	Typ.	Max.	Min.	Typ.	Max.	Min.	Typ.	Max.		
V <sub>CC</sub>	Power Supply (LVPECL) Voltage (LVECL)	2.37 -2.37	— —	3.8 -3.8	2.37 -2.37	— —	3.8 -3.8	2.37 -2.37	— —	3.8 -3.8	V	
I <sub>EE</sub>	Internal Supply Current	—	70	90	—	70	90	—	70	90	mA	
I <sub>IH</sub>	Input HIGH Current	—	—	150	—	—	150	—	—	150	μA	V <sub>IN</sub> = V <sub>IH</sub>
I <sub>IL</sub>	Input LOW Current CLKa, CLKb /CLKa, /CLKb	0.5 -150	— —	— —	0.5 -150	— —	— —	0.5 -150	— —	— —	μA μA	V <sub>IN</sub> = 0V V <sub>IN</sub> = 0V
C <sub>IN</sub>	Input Capacitance	—	—	—	—	2	—	—	—	—	pF	

**NOTES:**

- 100KEP circuits are designed to meet the DC specifications shown in the above table after thermal equilibrium has been established. The circuit is in a test socket or mounted on a printed circuit board and traverse airflow greater than 500lfpm is maintained.

**3.3V LVPECL DC ELECTRICAL CHARACTERISTICS<sup>(1)</sup>**

$$V_{CC} = 3.3V \pm 10\%$$

Symbol	Parameter	T <sub>A</sub> = -40°C			T <sub>A</sub> = +25°C			T <sub>A</sub> = +85°C			Unit	Condition
		Min.	Typ.	Max.	Min.	Typ.	Max.	Min.	Typ.	Max.		
V <sub>IH</sub>	Input HIGH Voltage	2135	—	2420	2135	—	2420	2135	—	2420	mV	
V <sub>IL</sub>	Input LOW Voltage	1490	—	1675	1490	—	1675	1490	—	1675	mV	
V <sub>OL</sub>	Output LOW Voltage	1355	1480	1605	1355	1480	1605	1355	1480	1605	mV	50Ω to V <sub>CC</sub> -2V
V <sub>OH</sub>	Output HIGH Voltage	2155	2280	2405	2155	2280	2405	2155	2280	2405	mV	50Ω to V <sub>CC</sub> -2V
V <sub>BB</sub>	Output Reference Voltage <sup>(2)</sup>	1775	1875	1975	1775	1875	1975	1775	1875	1975	mV	
V <sub>IHCMR</sub>	Input HIGH Voltage Common Mode Range <sup>(3)</sup>	1.2	—	V <sub>CC</sub>	1.2	—	V <sub>CC</sub>	1.2	—	V <sub>CC</sub>	mV	

**NOTES:**

- 100KEP circuits are designed to meet the DC specifications shown in the above table after thermal equilibrium has been established. The circuit is in a test socket or mounted on a printed circuit board and traverse airflow greater than 500lfpm is maintained. Input and output varies 1:1 with V<sub>CC</sub>.
- Single-ended input operation is limited to V<sub>CC</sub> ≥ 3.0V in LVPECL mode. V<sub>BB</sub> reference varies 1:1 with V<sub>CC</sub>.
- The V<sub>IHCMR</sub> (Min) varies with V<sub>EE</sub>. V<sub>IHCMR</sub> (Max) varies 1:1 with V<sub>CC</sub>. The V<sub>IHCMR</sub> range is referenced to the most positive side of the differential input signal.

**2.5V LVPECL DC ELECTRICAL CHARACTERISTICS<sup>(1)</sup>**

$$V_{CC} = 2.5V \pm 10\%, V_{EE} = 0V$$

Symbol	Parameter	T <sub>A</sub> = -40°C			T <sub>A</sub> = +25°C			T <sub>A</sub> = +85°C			Unit	Condition
		Min.	Typ.	Max.	Min.	Typ.	Max.	Min.	Typ.	Max.		
V <sub>OL</sub>	Output LOW Voltage	555	680	895	555	680	895	555	680	895	mV	50Ω to V <sub>CC</sub> -2V
V <sub>OH</sub>	Output HIGH Voltage	1355	1480	1605	1355	1480	1605	1355	1480	1605	mV	50Ω to V <sub>CC</sub> -2V
V <sub>IHCMR</sub>	Input HIGH Voltage <sup>(2)</sup> Common Mode Range	1.2	—	V <sub>CC</sub>	1.2	—	V <sub>CC</sub>	1.2	—	V <sub>CC</sub>	V	

**NOTES:**

- 100KEP circuits are designed to meet the DC specifications shown in the above table after thermal equilibrium has been established. The circuit is in a test socket or mounted on a printed circuit board and traverse airflow greater than 500lfpm is maintained. Input and output varies 1:1 with V<sub>CC</sub>.
- The V<sub>IHCMR</sub> (Min) varies with V<sub>EE</sub>. V<sub>IHCMR</sub> (Max) varies 1:1 with V<sub>CC</sub>. The V<sub>IHCMR</sub> range is referenced to the most positive side of the differential input signal.

**LVECL DC ELECTRICAL CHARACTERISTICS<sup>(1)</sup>** $V_{EE} = -2.375V$  to  $-3.8V$ ;  $V_{CC} = 0V$ 

Symbol	Parameter	$T_A = -40^\circ C$			$T_A = +25^\circ C$			$T_A = +85^\circ C$			Unit	Condition
		Min.	Typ.	Max.	Min.	Typ.	Max.	Min.	Typ.	Max.		
$V_{IL}$	Input LOW Voltage (Single-Ended)	-1810	—	-1625	-1810	—	-1625	-1810	—	-1625	mV	
$V_{IH}$	Input HIGH Voltage (Single-Ended)	-1165	—	-0880	-1165	—	-0880	-1165	—	-0880	mV	
$V_{OL}$	Output LOW Voltage	-1945	-1820	-1695	-1945	-1820	-1695	-1945	-1820	-1695	mV	$50\Omega$ to $V_{CC}-2V$
$V_{OH}$	Output HIGH Voltage	-1145	-1020	-0895	-1145	-1020	-0895	-1145	-1020	-0895	mV	$50\Omega$ to $V_{CC}-2V$
$V_{BB}$	Output Reference Voltage <sup>(2)</sup>	-1525	-1425	-1325	-1525	-1425	-1325	-1525	-1425	-1325	mV	
$V_{IHCMR}$	Input HIGH Voltage Common Mode Range <sup>(3)</sup>	$V_{EE} + 1.2$		0.0	$V_{EE} + 1.2$		0.0	$V_{EE} + 1.2$		0.0	V	

**NOTES:**

- 100KEP circuits are designed to meet the DC specifications shown in the above table after thermal equilibrium has been established. The circuit is in a test socket or mounted on a printed circuit board and traverse airflow greater than 500lfpm is maintained.
- Single-ended input operation is limited to  $V_{EE} \leq -3.0V$  in ECL/LVECL mode.  $V_{BB}$  reference varies 1:1 with  $V_{CC}$ .
- The  $V_{IHCMR}$  (Min) varies with  $V_{EE}$ . The  $V_{IHCMR}$  range is referenced to the most positive side of the differential input signal.

**HSTL DC ELECTRICAL CHARACTERISTICS** $V_{CC} = 2.375V$  to  $3.8V$ ;  $V_{EE} = 0V$ 

Symbol	Parameter	$T_A = -40^\circ C$			$T_A = +25^\circ C$			$T_A = +85^\circ C$			Unit	Condition
		Min.	Typ.	Max.	Min.	Typ.	Max.	Min.	Typ.	Max.		
$V_{IH}$	Input HIGH Voltage	1200	—	—	1200	—	—	1200	—	—	mV	
$V_{IL}$	Input LOW Voltage	—	—	400	—	—	400	—	—	400	mV	
$V_X$	Input Crossover Voltage	680	—	900	680	—	900	680	—	900	mV	

**AC ELECTRICAL CHARACTERISTICS**

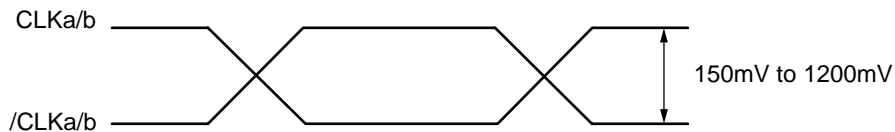
(LVPECL)  $V_{CC} = 2.375$  to  $3.8V$ ,  $V_{EE} = 0V$ ; (LVECL)  $V_{EE} = -2.375V$  to  $-3.8V$ ,  $V_{CC} = 0V$

Symbol	Parameter	$T_A = -40^{\circ}C$			$T_A = +25^{\circ}C$			$T_A = +85^{\circ}C$			Unit	Condition
		Min.	Typ.	Max.	Min.	Typ.	Max.	Min.	Typ.	Max.		
$f_{MAX}$	Maximum Frequency <sup>(1)</sup> HSTL/LVPECL	3.0	—	—	3.0	—	—	3.0	—	—	GHz	
$t_{PD}$	Propagation Delay <sup>(2)</sup>	220	300	380	270	350	430	300	410	490	ps	
$t_{SKEW}^{(3)}$	Within-Device Skew	—	20	25	—	20	25	—	20	25	ps	
	Part-to-Part Skew <sup>(4)</sup>	—	85	160	—	85	160	—	85	160	ps	
$t_{JITTER}$	Cycle-to-Cycle Jitter (rms)	—	0.2	< 1	—	0.2	< 1	—	0.2	< 1	ps(rms)	
$V_{PP}$	Minimum Input Swing <sup>(5)</sup>	150	800	1200	150	800	1200	150	800	1200	mV	
$t_r, t_f$	Output Rise/Fall Times (20% to 80%)	100	170	250	120	190	270	120	280	350	ps	

**NOTES:**

- $f_{MAX}$  guaranteed for functionality only (toggle frequency).
- CLK 0 to Bank A and CLK 1 to Bank B; Differential. Maximum propagation delay is worst-case, over temperature and voltage.
- Skew is measured between outputs under identical transitions.
- Measured for same transitions.
- See "Timing Waveform."

**TIMING WAVEFORM**

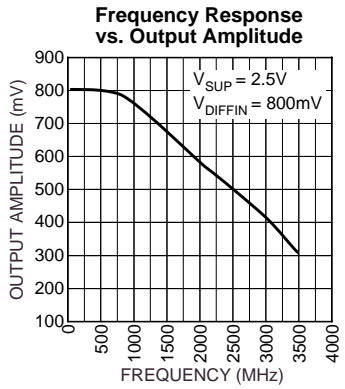


**PRODUCT ORDERING CODE**

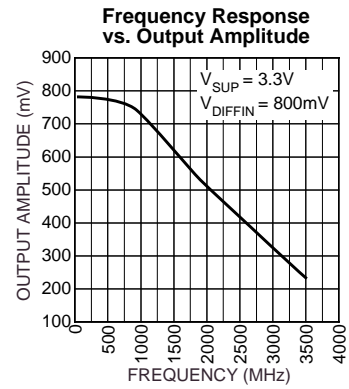
Ordering Code	Package Type	Operating Range	Package Marking
SY100EP210UTI	T32-1	Industrial	XEP210U
SY100EP210UTITR*	T32-1	Industrial	XEP210U

\*Tape and Reel

**TYPICAL CHARACTERISTICS**

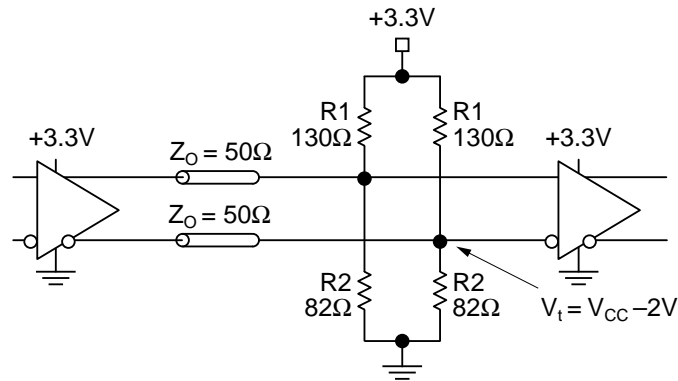


**Frequency Response vs. Output Amplitude @2.5V**



**Frequency Response vs. Output Amplitude @3.3V**

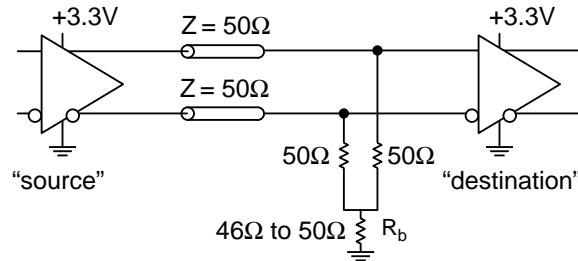
**TERMINATION RECOMMENDATIONS**



**Figure 1. Parallel Termination–Thevenin Equivalent**

**Notes:**

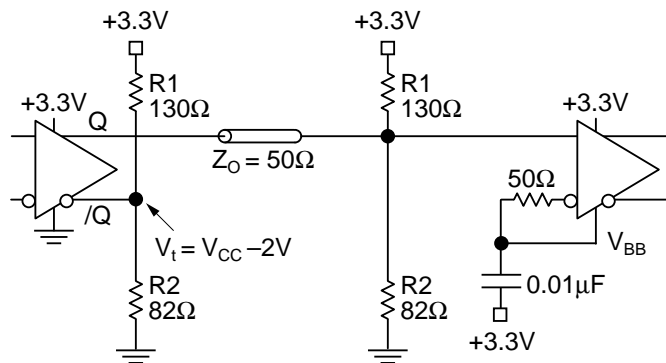
1. For +2.5V systems:  
R1 = 250Ω  
R2 = 62.5Ω



**Figure 2. Three-Resistor "Y-Termination"**

**Notes:**

1. Power-saving alternative, Thevenin termination.
2. Place termination resistors as close to destination inputs as possible.
3. R<sub>b</sub> resistor sets the DC bias voltage, equal to V<sub>t</sub>.

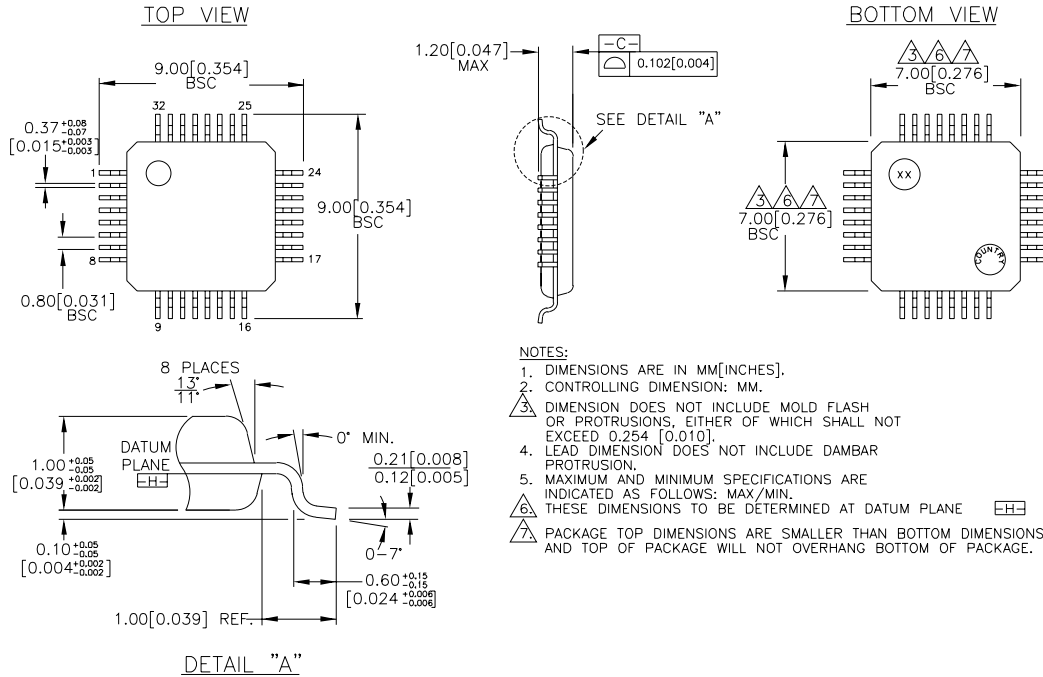


**Figure 3. Terminating Unused I/O**

**Notes:**

1. Unused output (/Q) must be terminated to balance the output.
2. Micrel's differential I/O logic devices include a V<sub>BB</sub> reference pin .
3. Connect unused input through 50Ω to V<sub>BB</sub>. Bypass with a 0.01μF capacitor to GND.
4. For +2.5V systems: R1 = 250Ω, R2 = 62.5Ω

**32 LEAD THIN QUAD FLATPACK (T32-1)**



Rev. 01

**MICREL-SYNERGY 3250 SCOTT BOULEVARD SANTA CLARA CA 95054 USA**  
TEL + 1 (408) 980-9191 FAX + 1 (408) 914-7878 WEB <http://www.micrel.com>

This information is believed to be accurate and reliable, however no responsibility is assumed by Micrel for its use nor for any infringement of patents or other rights of third parties resulting from its use. No license is granted by implication or otherwise under any patent or patent right of Micrel Inc.

© 2001 Micrel Incorporated