



Features

- Available in E6 series
- Unit height of 8.5 mm
- Current up to 7.5 A
- Lead free version available (see How to Order)
- Lead free versions are RoHS compliant*

Applications

- Input/output of DC/DC converters
- Power supplies for:
 - Portable communication equipment
 - Camcorders
 - LCD TVs
 - Car radios

BOURNS®

SRR1208 Series - Shielded High Power Inductors

Electrical Specifications

Bourns Part No.	Inductance 1kHz		Q Ref.	Test Frequency (MHz)	SRF Min. (MHz)	RDC (Ω)	I rms Max. (A)	I sat Typ. (A)
	(μH)	Tol. %						
SRR1208-2R5M_	2.5	± 20	20	7.96	40.0	0.011	7.50	10.00
SRR1208-4R5M_	4.5	± 20	24	7.96	35.0	0.014	6.50	10.00
SRR1208-6R5M_	6.5	± 20	25	7.96	32.0	0.018	6.00	8.40
SRR1208-100M_	10	± 20	20	2.52	28.0	0.021	5.00	6.70
SRR1208-120M_	12	± 20	19	2.52	27.0	0.025	4.80	6.50
SRR1208-150M_	15	± 20	21	2.52	26.0	0.036	4.00	5.60
SRR1208-180M_	18	± 20	21	2.52	24.0	0.040	3.80	4.00
SRR1208-220M_	22	± 20	23	2.52	21.0	0.043	3.50	4.00
SRR1208-270M_	27	± 20	23	2.52	20.0	0.048	3.00	4.30
SRR1208-330Y_	33	± 15	23	2.52	19.0	0.062	2.80	3.80
SRR1208-390Y_	39	± 15	25	2.52	18.0	0.076	2.50	3.40
SRR1208-470Y_	47	± 15	24	2.52	17.0	0.085	2.20	3.10
SRR1208-560Y_	56	± 15	23	2.52	16.0	0.110	2.00	2.80
SRR1208-680Y_	68	± 15	20	2.52	15.0	0.135	1.80	2.60
SRR1208-820Y_	82	± 15	18	2.52	14.0	0.150	1.60	2.30
SRR1208-101Y_	100	± 15	15	0.796	13.0	0.170	1.50	2.10
SRR1208-121Y_	120	± 15	15	0.796	13.0	0.190	1.40	2.00
SRR1208-151Y_	150	± 15	14	0.796	13.0	0.240	1.30	1.72
SRR1208-181Y_	180	± 15	14	0.796	12.0	0.270	1.20	1.70
SRR1208-221K_	220	± 10	13	0.796	12.0	0.380	1.10	1.45
SRR1208-271K_	270	± 10	13	0.796	12.0	0.400	0.95	1.25
SRR1208-331K_	330	± 10	13	0.796	11.0	0.650	0.85	1.12
SRR1208-391K_	390	± 10	14	0.796	11.0	0.670	0.80	1.10
SRR1208-471K_	470	± 10	14	0.796	10.0	0.850	0.70	0.95
SRR1208-561K_	560	± 10	14	0.796	10.0	0.900	0.65	0.90
SRR1208-681K_	680	± 10	13	0.796	9.0	1.00	0.60	0.82
SRR1208-821K_	820	± 10	12	0.796	9.0	1.15	0.55	0.77
SRR1208-102K_	1000	± 10	11	0.252	8.0	1.65	0.50	0.67
SRR1208-122K_	1200	± 10	10	0.252	8.0	2.00	0.40	0.57
SRR1208-152K_	1500	± 10	10	0.252	7.0	2.35	0.36	0.55
SRR1208-182K_	1800	± 10	20	0.252	0.80	3.40	0.46	0.48
SRR1208-222K_	2200	± 10	20	0.252	0.70	4.20	0.40	0.42
SRR1208-272K_	2700	± 10	20	0.252	0.60	5.20	0.35	0.38
SRR1208-332K_	3300	± 10	20	0.252	0.50	6.40	0.32	0.35
SRR1208-392K_	3900	± 10	20	0.252	0.45	7.80	0.30	0.32
SRR1208-472K_	4700	± 10	20	0.252	0.42	9.60	0.28	0.30
SRR1208-562K_	5600	± 10	18	0.252	0.40	12.0	0.25	0.28
SRR1208-682K_	6800	± 10	18	0.252	0.38	15.2	0.22	0.25
SRR1208-822K_	8200	± 10	16	0.252	0.35	17.0	0.20	0.22
SRR1208-103K_	10000	± 10	24	0.0796	0.30	19.2	0.18	0.20

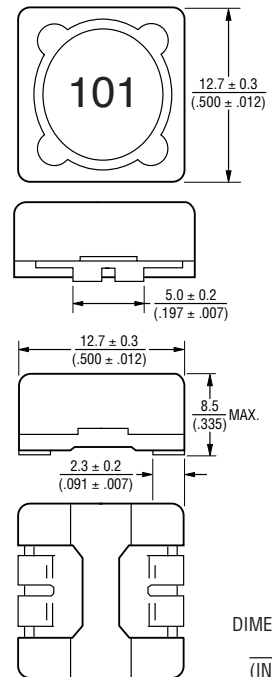
General Specifications

Test Voltage 1 V
 Reflow Soldering 230 °C, 50 sec. max.
 Operating Temperature .. -40 °C to +125 °C
 (Temperature rise included)
 Storage Temperature .. -40 °C to +125 °C
 Resistance to Soldering Heat
 260 °C for 5 sec.

Materials

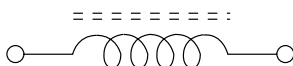
Core Ferrite DR and RI core
 Wire Enameled copper
 Base LCP E4008
 Terminal See How to Order
 Rated Current
 Ind. drop 10 % typ. at Isat
 Temperature Rise
 40 °C max. at rated I rms
 Packaging 400 pcs. per reel

Product Dimensions



DIMENSIONS:
MM
(INCHES)

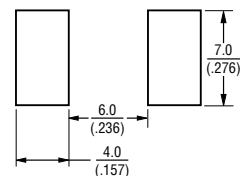
Electrical Schematic



How to Order

Model **SRR1208 - 100M**
 Value/Tolerance: from table
 Termination
 L = Cu/Ni/Sn
 Blank = Cu/Ni/SnPb

Recommended Layout

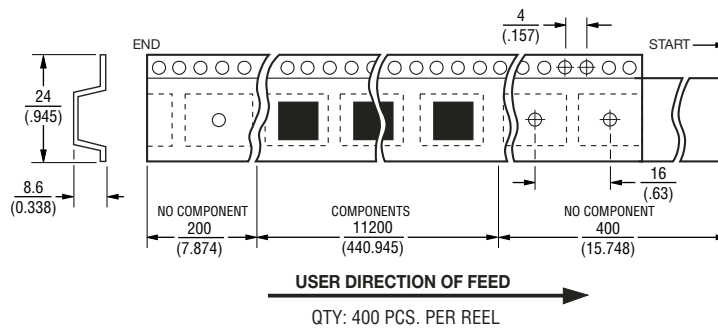
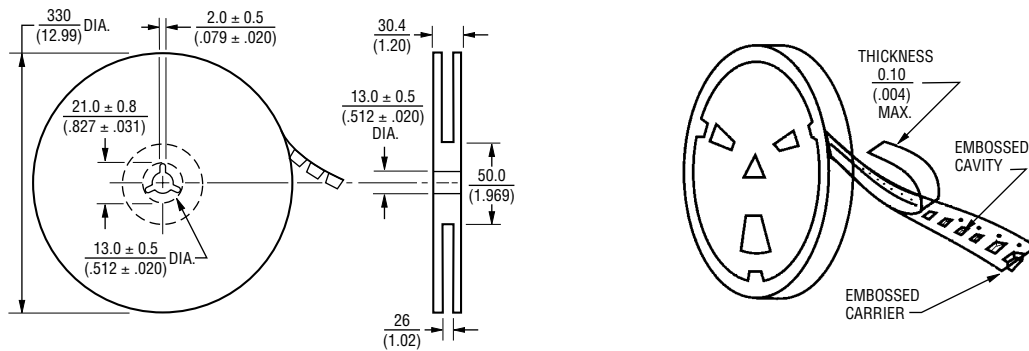


*RoHS Directive 2002/95/EC Jan 27 2003 including Annex
 Specifications are subject to change without notice.
 Customers should verify actual device performance in their specific applications.

SRR1208 Series - Shielded High Power Inductors

BOURNS®

Packaging Specifications



DIMENSIONS: $\frac{\text{MM}}{\text{(INCHES)}}$