

## FEATURES AND SPECIFICATIONS

### Features and Benefits

- Sizes 2 to 15 circuits
- Locking windows secure terminal to housing
- Accepts 22 to 28 AWG

### Reference Information

Product Specification: PS-35184  
 Packaging: Bag  
 UL File No.: E29179  
 CSA File No.: LR19980  
 Mates With: [35155](#) and [35572](#)  
 Use With: [35053](#)  
 Designed In: Millimeters

### Electrical

Voltage: 250V  
 Current: 3.0A  
 Contact Resistance: 20mΩ max.  
 Dielectric Withstanding Voltage: 1000V  
 Insulation Resistance: 500 MΩ min.

### Mechanical

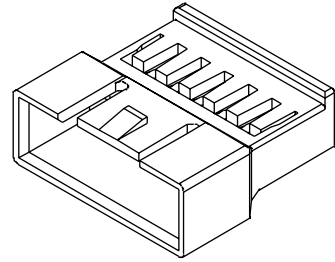
Contact Insertion Force: 14.7N (3.3 lb) max.  
 Contact Retention to Housing: 14.7N (3.3 lb) min.  
 Mating Force: 117.7N (26.5 lb) max.  
 Unmating Force: 9.8N (2.2 lb) min.  
 Durability: 30 cycles

### Physical

Housing: Polyester, UL 94V-0  
 Operating Temperature: -40 to +105°C

# molex® 2.50mm (.098") Pitch Wire-to-Wire Plug

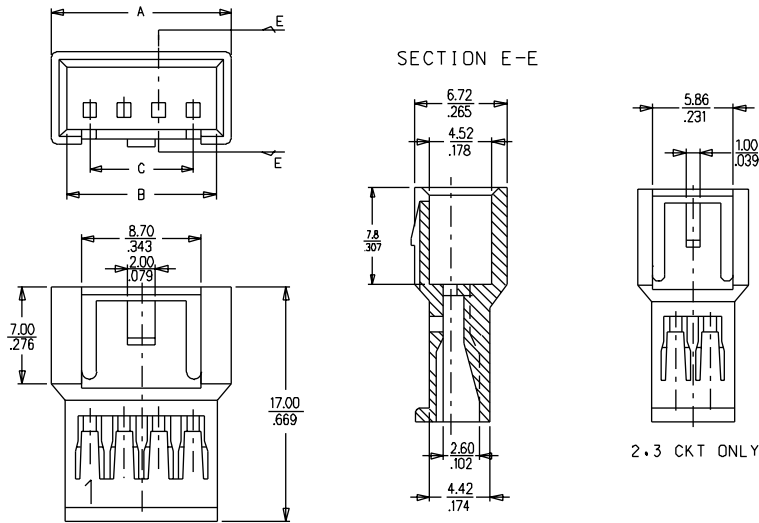
## 35184



**B**

2.00 to 2.50mm (.079 to .098") Pitch

## CATALOG DRAWING (FOR REFERENCE ONLY)



## ORDERING INFORMATION AND DIMENSIONS

Circuits	Order No.		Dimension		
	Natural	Red	A	B	C
2	35184-0200	35184-0202	8.06 (.317)	5.86 (.231)	2.50 (.197)
3	35184-0300	35184-0302	10.56 (.416)	8.36 (.329)	5.00 (.295)
4	35184-0400	35184-0402	13.06 (.514)	10.86 (.428)	7.50 (.394)
5	35184-0500	35184-0502	15.56 (.613)	13.36 (.526)	10.00 (.492)
6	35184-0600	35184-0602	18.06 (.711)	15.86 (.624)	12.50 (.591)
7	35184-0700	35184-0702	20.56 (.809)	18.36 (.723)	15.00 (.689)
8	35184-0800	35184-0802	23.06 (.908)	20.86 (.821)	17.50 (.787)
9	35184-0900	35184-0902	25.56 (1.006)	23.36 (.920)	20.00 (.787)
10	35184-1000	35184-1002	28.06 (1.105)	25.86 (1.018)	22.50 (.886)
11	35184-1100	35184-1102	30.56 (1.203)	28.36 (1.117)	25.00 (.984)
12	35184-1200	35184-1202	33.06 (1.302)	30.86 (1.215)	27.50 (1.083)
13	35184-1300	35184-1302	35.56 (1.400)	33.36 (1.313)	30.00 (1.181)
14	35184-1400	35184-1402	38.06 (1.498)	35.86 (1.412)	32.50 (1.280)
15	35184-1500	35184-1502	40.56 (1.597)	38.36 (1.510)	35.00 (1.378)