

PLEASE CHECK WWW.MOLEX.COM FOR LATEST PART INFORMATION

Part Number: [0351890111](#)
Status: **Active**
Description: 4.75mm (.187") Tab, MP-Lock™ Housing, 1 Circuit, UL94V-0, Natural

Documents:

[3D Model](#) [Product Specification PS-35189-001 \(PDF\)](#)
[Drawing \(PDF\)](#) [RoHS Certificate of Compliance \(PDF\)](#)

Agency Certification

CSA LR95446
 UL E29179

General

Product Family Crimp Housings
 Series [35189](#)
 Product Name MP-Lock™

Physical

Breakaway No
 Circuits (maximum) 1
 Flammability 94V-2
 Gender Female
 Glow-Wire Compliant No
 Keying to Mating Part None
 Lock to Mating Part None
 Number of Rows 1
 Packaging Type Bag
 Panel Mount No
 Pitch - Mating Interface (in) 0.000 In
 Pitch - Mating Interface (mm) 0.00 mm
 Polarized to Mating Part Yes
 Stackable No
 Temperature Range - Operating -40°C to +105°C

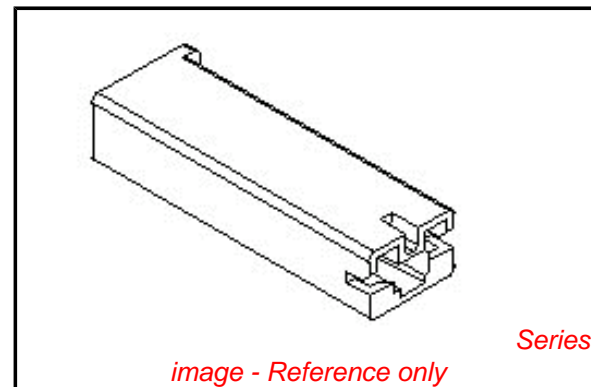
Electrical

Current - Maximum per Contact 12A

Material Info

Reference - Drawing Numbers

Product Specification PS-35189-001
 Sales Drawing SD-35189-0110



EU RoHS

ELV and RoHS Compliant
REACH SVHC Contains SVHC: No
Halogen-Free Status

China RoHS



Need more information on product environmental compliance?

Email productcompliance@molex.com
 For a multiple part number RoHS Certificate of Compliance, [click here](#)

Please visit the [Contact Us](#) section for any non-product compliance questions.

Search Parts in this Series

[35189Series](#)

Mates With

Appliance Timer|Appliance Capacitor|
 Appliance Heater

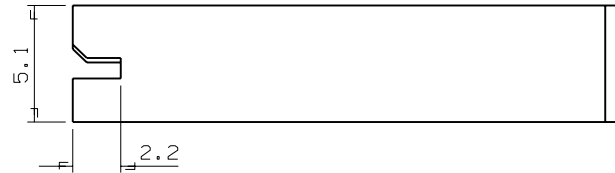
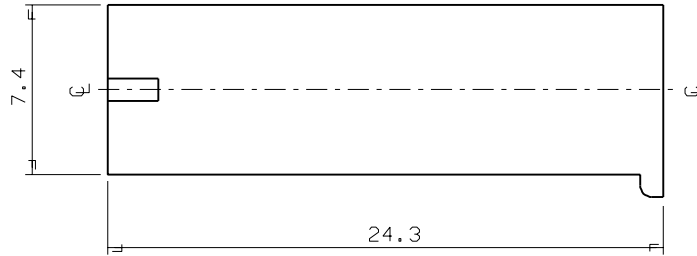
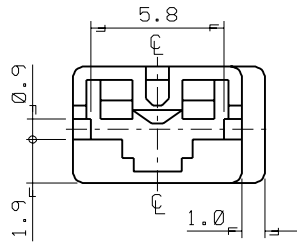
Use With

[35068](#) MP-Lock™ Quick Disconnect

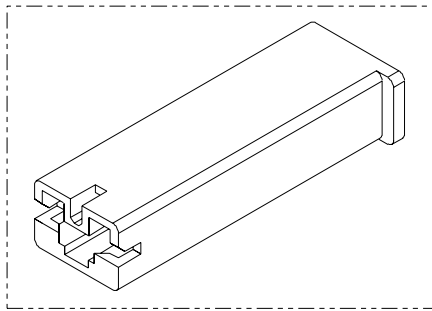
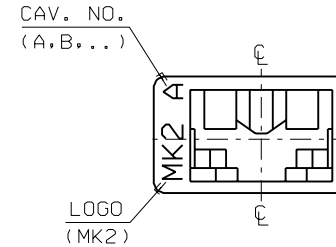
PROJECT NO. .187 MP-LOCK CONN' EDP NO. SD 35189-011 •

8 7 6 5 4 3 2 1

SIMILAR ITEM



- NOTES
- MATERIAL : NYLON 66
35189-0110 (UL94V-2)
35189-0111 (UL94V-0)
 - COLOR : NATURAL
 - APPLICABLE TERMINAL : 35068-9**2



				MATERIAL	SEE NOTES	MOLEX-KOREA CO.,LTD.	
				GENERAL TOLERANCE	DIMENSION : ±0.3		
C	REVISED	96-137	96-12-24	ANGLE : °1'		J. S. KANG	
B	REVISED		96-9.20		DIMENSION CLASSIFICATION	APP'D BY	SCALE
A	NEW RELEASED		96-4.25		▽ : CRITICAL ▼ : MAJOR () : REFERENCE		5/1
LTR	REVISION RECORD	ECN	DATE	ASS'Y PART	DESCRIPTION	TITLE :	
				ENG. NO.		.187 MP-LOCK HSG-1P	
REVISE ONLY ON CAD SYSTEM				---	---	ENG. NO.	REV
						SD 35189-011 •	C