

Service Manual

ViewSonic N3752w-1M

Model No. VS11405-1M

37" LCD TV

(N3752w-1M_SM Rev. 1a Oct. 2006)

ViewSonic® 381 Brea Canyon Road, Walnut, California 91789 USA - (800) 888-8583

Copyright

Copyright © 2006 by ViewSonic Corporation. All rights reserved. No part of this publication may be reproduced, transmitted, transcribed, stored in a retrieval system, or translated into any language or computer language, in any form or by any means, electronic, mechanical, magnetic, optical, chemical, manual or otherwise, without the prior written permission of ViewSonic Corporation.

Disclaimer

ViewSonic makes no representations or warranties, either expressed or implied, with respect to the contents hereof and specifically disclaims any warranty of merchantability or fitness for any particular purpose. Further, ViewSonic reserves the right to revise this publication and to make changes from time to time in the contents hereof without obligation of ViewSonic to notify any person of such revision or changes.

Trademarks

Optiquest is a registered trademark of ViewSonic Corporation.

ViewSonic is a registered trademark of ViewSonic Corporation.

All other trademarks used within this document are the property of their respective owners.

Revision History

Revision	SM Editing Date	ECR Number	Description of Changes	Editor
1a	10/24/06		Initial Release	Sophia Kao

TABLE OF CONTENTS

1. Precautions and Safety Notices.....	1
2. Specification.....	4
3. Front Panel Function Control Description.....	9
4. Circuit Description.....	20
5. Adjustment Procedure	24
6. Trouble Shooting Flow Chart.....	48
7. Block Diagram	52
8. Schematic Diagrams.....	53
9. PCB Layout Diagrams	79
10. Exploded Diagram And Exploded Parts List.....	85
11. Recommend Spare Parts List.....	88

1. Precautions and Safety Notices

1. Appropriate Operation

- (1) Turn off the product before cleaning.
- (2) Use only a dry soft cloth when cleaning the LCD panel surface.
- (3) Use a soft cloth soaked with mild detergent to clean the display housing.
- (4) Disconnect the power plug from AC outlet if the product is not used for a long period of time.
- (5) If smoke, abnormal noise, or strange odor is present, immediately switch the LCD display off.
- (6) Do not touch the LCD panel surface with sharp or hard objects.
- (7) Do not place heavy objects on the LCD display, video cable, or power cord.
- (8) Do not use abrasive cleaners, waxes or solvents for your cleaning.
- (9) Do not operate the product under the following conditions:
 - Extremely hot, cold or humid environment.
 - Areas susceptible to excessive dust and dirt.
 - Near any appliance generating a strong magnetic field.
 - Place in direct sunlight.

2. Caution

No modification of any circuit should be attempted. Service work should only be performed after you are thoroughly familiar with all of the following safety checks and servicing guidelines.

3. Safety Check

Care should be taken while servicing this LCD display. Because of the high voltage used in the inverter circuit, the voltage is exposed in such areas as the associated transformer circuits.

4. Power Supply Requirements

The external AC power operating range shall be from 90 to 264Vac

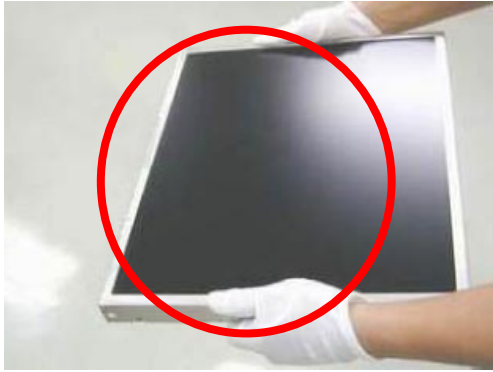





5. LCD Module Handling Precautions



5.1. Handling Precautions

- (1) Since front polarizer is easily damaged, pay attention not to scratch it.
- (2) Be sure to turn off power supply when inserting or disconnecting from input connector.
- (3) Wipe off water drop immediately. Long contact with water may cause discoloration or spots.
- (4) When the panel surface is soiled, wipe it with absorbent cotton or other soft cloth.
- (5) Since the panel is made of glass, it may break or crack if dropped or bumped on hard surface.
- (6) Since CMOS LSI is used in this module, take care of static electricity and insure human earth when handling.
- (7) Do not open nor modify the Module Assembly.
- (8) Do not press the reflector sheet at the back of the module to any directions.
- (9) In case if a Module has to be put back into the packing container slot after once it was taken out from the container, do not press the center of the CCFL Reflector edge. Instead, press at the far ends of the CFL Reflector edge softly. Otherwise the TFT Module may be damaged.
- (10) At the insertion or removal of the Signal Interface Connector, be sure not to rotate nor tilt the Interface Connector of the TFT Module.
- (11) After installation of the TFT Module into an enclosure (LCD monitor housing, for example), do not twist nor bend the TFT Module even momentary. At designing the enclosure, it should be taken into consideration that no bending/twisting forces are applied to the TFT Module from outside. Otherwise the TFT Module may be damaged.
- (12) Cold cathode fluorescent lamp in LCD contains a small amount of mercury. Please follow local ordinances or regulations for disposal.
- (13) Small amount of materials having no flammability grade is used in the LCD module. The LCD module should be supplied by power complied with requirements of Limited Power Source (IEC60950 or UL1950), or be applied exemption.
- (14) The LCD module is designed so that the CFL in it is supplied by Limited Current

Circuit (IEC60950 or UL1950). Do not connect the CFL in Hazardous Voltage Circuit.

5.2. Handling and Placing Methods

Correct Methods:	Incorrect Methods:
<p>Only touch the metal frame of the LCD panel or the front cover of the monitor. Do not touch the surface of the polarizer.</p>	<p>Surface of the LCD panel is pressed by fingers and that may cause "Mura"</p>
	
	
<p>Take out the monitor with cushions</p>	<p>Taking out the monitor by grasping the LCD panel. That may cause "Mura"</p>
	

Place the monitor on a clean and soft foam pad.	Placing the monitor on foreign objects. That could scratch the surface of the panel or cause "Mura"
	

2. Specification

Parameter	Specification
LCD Type	a-Si TFT Active Matrix Wide Color, Transmissive Mode, Normally Black
LCD Interface	1-Channel LVDS
Resolution (Native)	WXGA, 1366 x 768
Display Area	37" diagonal; 819.6 (H) x 460.8 (V) mm
Pixel Pitch	0.6 (H) x 0.6 (V) mm
Viewing Angle	H = +/- 85°, V = +/- 85° with CR≥20
Contrast Ratio	1000:1 (Typ); 800:1 (Min)
Brightness	500 nits (Typical), 450 nits(Min.);
Response Time	TrR:10ms, TrD:6ms (Typ) TrR:17ms, TrD:10 ms (max)
Response Time (Gray to Gray)	8 ms (Typ), 10 ms(max)
Colors	16.7M (8-bit)
Surface Treatment	Anti-Glare, 2H
Colors	16.7M (8-bit)
Surface Treatment	Hard coating (3H)
Backlight	16 CCFLs
Preset Color	Panel Default
Gray Scale	255
Rated Life (Backlight)	> 50 KHrs* (Typ)
Front Screen Artifacts	VS Standard: a.) No Visible Streaking, Sag or Smearing artifacts when driven by the specified video cards (see 7.1 General Test Equipment) in the primary mode (VGA & 60 Hz) and after user adjustment b.) No image drift or lose fine-tune settings due to panel temperature change.
Panel Acceptance Spec	Refer to the panel acceptance criteria specification. Note: Intermittent and/or Display Pattern defects which result in further bright or dark dots will be counted individually against the above specification.

Note: Panel performance characteristics “ MUST BE” met in all display modes/inputs at standard test conditions.

1. RF Tuner

RF tuner of this product shall be provided by “T Vision” TVF85P3-CF.

The following table defines this tuner specification.

Parameter	Specification
RF Tuning Range	NTSC & ATSC: 44.25 MHz to 863.25 MHz covering for
RF Tuner Sensitivity (S/N Ratio at un-weight)	44 dB (min.)
Channel Bandwidth	NTSC & ATSC: 8 MHz Max
CVBS Characteristics: Video Amplitude Signal DC Level Sync Pulse	0.7(min.)–1(max.) V Typical. 0.35 V
Audio Characteristics: AF Output Level Measured via LP 20 kHz Filter, RMS Decoder, 75us De-emphasis THD S/N	Typical. 0.35Vrms 10% (max.) 44 dB (min.)

2. Video

Built-in A/D converter shall provide analog to digital converter for this product.

Input Parameter	Specification
CVBS Characteristics: Video Amplitude Signal DC Level Sync Pulse	0.7(min.) – 1.1(max.) V Typical. 0.3 V
S-Video Characteristics: Video Amplitude Signal DC Level Sync Pulse	Y : 1.0Vp-p W / Neg. Sync (IN 75 Ω) C : 0.285Vp-p (IN 75 Ω)
Y, Pb, Pr Characteristics: Video Amplitude Signal DC Level Sync Pulse	Y:1.0Vp-p (IN 75 Ω) Pb:0.7 Vp-p(IN 75 Ω),Pr:0.7 Vp-p (IN 75 Ω)
Video Bandwidth	NTSC/ATSC: 6 MHz Maximum
HDMI Characteristics	Panel Link T.M.D.S HDMI-1.1
RGB Characteristics: Signal Type Sync Type Input Signal Rating Sync Level: Frequency Range Pixel Color DDC Compliance EDID Data Table	Analog VGA TTL, Separate Sync, with 4.7KΩ pull-down resistors 1250Mv Max without damage to the product, 0-700 Mv Full Range 2.5-5.25 V Horizontal: 30-80K Hz, Vertical: 50-75 Hz 16 M DDC2B Compliant, Rev 1.3 See Appendix B

3. Audio

Audio amp of this product shall be provided by “ESMT” with a Model Number of 8256A “MTK” MT8202 for N3752W shall be used as sound processor. In addition, a pair of speakers shall be integrated within this product. The audio signals of this product shall comply with the specification listed in the following table.

Parameter	Specification	
	Phone Jack out	
	Tuner Input	Base band Input
Speaker Power Output Max Rating	10 W x 2 at 10% T.H.D Distortion	10W x 2 at 10% T.H.D. Distortion
Speaker Impedance	main spk :3 Ω + 3 Ω Treble spk :5.2 Ω	main spk :3 Ω + 3 Ω Treble spk :5.2 Ω
Line In	Per Tuner Spec	500 mV rms (Typ) 1.6 V rms (Max) Impedance: 600 ohms
Line Out	500 mVrms +/- 10% @1K Hz tone (with +/-25k Hz deviation at input, volume with non-attenuation and loading with 47k Ohm)	500 mVrms +/- 10% @1K Hz tone (with +/-25k Hz deviation at input, volume with non-attenuation and loading with 47k Ohm)
Flatness of Amplitude Response (100Hz ~ 10KHz)	+/- 3 db (at 1KHz @1W)	+/- 3 db (at 1KHz @1W)
Total Harmonic Distortion (1KHz @1W)	2%	2%
Signal to Noise (1KHz @1W)	30 dB (40Hz to 15KHz)	40dB(400Hz to 20 kHz)

4. Electrical

The following table defines the electrical specification of this product.

ELECTRICAL SPECIFICATION

Power Input Voltage Range	100-240VAC +/- 10% Wide Range
Input Frequency Range	47-63 Hz
Input Current	3.0A @ 115VAC // 1.5A @ 230VAC
Power Supply Inrush	Max in < 150A (with fully loaded power supply) at 230Vac Shall not result in permanent failure of power supply (including blown fuse)
Power Consumption: Normal	Normal:200 W (Max) // Stand by: < 3.0 W
Interference with RF and Video	There shall be no visible interference between power supply, RF and video signals. This applies to all available RF channels and video modes.
Electromagnetic Compatibility	This product shall adhere to the compatibility and immunity specifications in FCC.
Power Supply Transient Immunity (Supply Transients and Outage)	Able to withstand an ANSI / IEEE C62.41 – 1980 2000V ring wave with no damage.
Surge Immunity Test	Able to withstand 1.25X nominal Line Voltage for one cycle with no damage.
Power Supply Missing Cycle Immunity	Function properly without reset or visible screen artifact when 1/3 cycle of AC Power is randomly missing.
Power Supply Acoustics	Power supply shall not produce any audible noise during startup and normal operation. Audible shall define to be in compliance with ISO 7779 (DIN EN27779: 1991) . Power Switch noise shall be Excluded.
Efficiency	>= 80% @ full load, nominal line
Leakage Current	<0.5mA @ 240VAC
Power Saving(DPMS)	N/A
Recovery Time	< 3 sec.
Power Factor Correction	Compliant with EN61000-3-2

5. Firmware & OSD

The product firmware of VS11405-1M shall have a firmware version of 1.00 Any changes/revisions afterward shall also be pre-approved by ViewSonic in written. For VS11405-1M, its firmware shall have a built-in frequency table for PAL/SECAM, Teletext and with NICAM implementation.

All audio/video and other output adjustments shall be performed by using an On Screen Display (OSD) via a Remote Control Unit (RCU) in conjunction with the front panel adjustments. The following tables list the OSD functions supported by VS11405-1M.

OSD Table for VS11405

OSD	
Brightness	Adjust the Black levels
Contrast	Adjust the White levels
Sharpness	Adjust the Sharpness levels
Color	Adjust the Color levels
Tint	Adjust the Tint levels
Color Temperature	Selections on Normal, Warm, user, Cold
Back Light	Adjust the Back Light levels
Aspect ratio	Selections the Image Size on Full, Wide1, Wide2, Wide3, 4:3, 16:9, No scale, Normal
Language	Selections English, Spanish , French By area have some difference
OSD Timeout	Set OSD disappearing time
Memory recall	Set user settings to factory preset value
Treble	Adjust the Hi Frequency levels
Bass	Adjust the Low Frequency levels

Balance	Adjust the Spk output levels
Audio out	Audio signal output On or Off
Surround	Surround sound effect On or Off
Auto Scan	TV program Auto Search
Tuner Mode	Selections TV sources to Air or Cable
Channel Edit	TV channel name edit
Channel Add/Del.	TV channel Add or Delete
Parental	TV program controlled by parents via password setting
RCU Key function	
Sources	Select input source
PIP*	PIP:activate PIP feature PIP Source:change PIP source PIP Size:change PIP size
0 ~ 9, -100/ number	Input channel number
Recall	Return to previous channel
Guide	Show electronic program guide (EPG)
Sleep*	Set timer to turn off TV
CC	Close caption
Mute	Mute On or Off
VOL▲ and VOL▼	Adjust volume
MTS/SAP	Select Mono,Stereo or SAP sound
Power	Power on/off
Device buttons	Select desire device
Zoom	Adjust window size
Wide*	Change aspect ratio
Up/Down/Left/Right/ Enter	Up/Down for OSD function select and Left/Right for function adjust Enter:Enter the function setting
Menu	On screen display (OSD) menu ON/OFF
CH▲ and CH▼	Change channel for TV only
Control buttons	Play/Stop/Pause/Record/Forward/Rewind ■ ■ button=freeze picture —
Display	Display current information

6. Remote Control Unit (RCU)

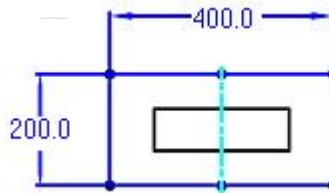
An IR remote control unit shall accompany this product along with battery. In addition, this remote control unit shall have an operational distance of X meters and an operational angle of XX degrees for both horizontal and vertical.

Parameter	Specification
Range	Direct distance: 6M-12M Point distance: 4M-8M, angle : 30 degrees +/- 2 degrees
Life Testing (Buttons)	100,000 cycle operations at a rate of 20~30 cycle / minute without load (with battery)
Color	Painting Color – Silver DongBon painting MP1075-01 Power Key - Red Color (Pantone 032U) Key Pads – Refer to standard Texts Printed on Key Pads – White Color (Refer to standard) For the shortcut keys of Teletext: Red Key – Pantone 185U Blue Key – Pantone 285U Green Key – Pantone 335U Yellow Key – Pantone 108U

7. Mechanical

The following table defines the mechanical specifications of this product for both chassis and cabinet.

Parameter	Specification
Dimension	W=942mm, H=726mm and D=295mm
Net Weight	26.5 Kg
Gross Weight	31.4 Kg
Net weight *without* stand	22.7 Kg
Chassis Plastic Material	ABS (CABS HB / ABS VO / PC+ABS)
External Plastic Chassis Components	Plastic Chassis, Cover, Stand (Metal + Plastic), Len and Button
Exterior Chassis Color/Texture/Details	Refer to Figure 1 – Product ID
Chassis Component's Color Difference	Refer to Figure 1A – Color Guide
Chassis Color Drift Due to UV-Light	The color drift due to UL-Light shall be less than 10 “Delta E” in the 1976 CIE L*a*b color space. Testing shall be performed according to the requirements of ASTM Test Method D4459-93.
Molded Plastic	Workmanship shall be inspected according to ViewSonic Molded Plastic Parts Specification, VSCMPPSPEC001V1.2.
Screen Printed Parts, Bird Logo Recess	Artwork shall be provided and confirmed by ViewSonic.
Rear Label	A label identifying the product name, model/serial number and FCC ID/Logo shall be placed into the rear label recess located on the rear panel of the chassis.
Wall- Mount	400mmx200mm VESA high hole (n=6), pattern 6mm, 1.0 pitch x 10mm long screw mounting kit not included. (Figure 7)
Sample	Sample of textured color chips, plastic material specification, and Material Safety Data Sheets shall be submitted to ViewSonic prior to Mass Production Release.



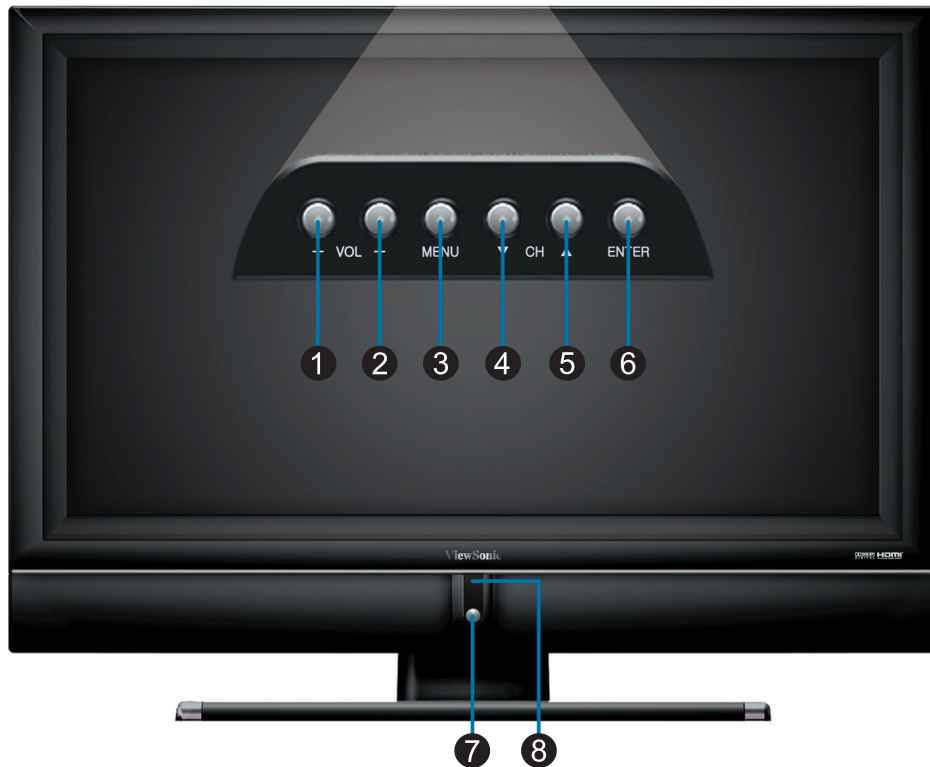
In addition, all exterior surfaces shall have uniform texture/color. The maximum acceptable gap between the buckets to bezel plastic pieces shall be within 1.0 mm. The maximum acceptable gap between LCD panel and bezel shall be within 2.5 mm.

8. Environmental

Operating Temperature	0°C to 40°C
Humidity	85% non-condensing
Storage Temperature	Follow Panel spec
Humidity	85% non-condensing

3. Front Panel Function Control Description

Front View of the Product



- ① **Volume Down**
Decrease sound volume or adjust a highlighted control while in OSD menu.
- ② **Volume Up**
Increase sound volume or adjust a highlighted control while in OSD menu.
- ③ **Menu**
Turn OSD menu ON/OFF.
- ④ **CH Down**
Channel down when source is at TV or select a control while in OSD menu.
- ⑤ **CH Up**
Channel up when source is at TV or select a control while in OSD menu.
- ⑥ **ENTER**
To highlight a control in OSD menu.
- ⑦ **Power ON/OFF button**
- ⑧ **Power LED Indicator / Remote Control Receiver**



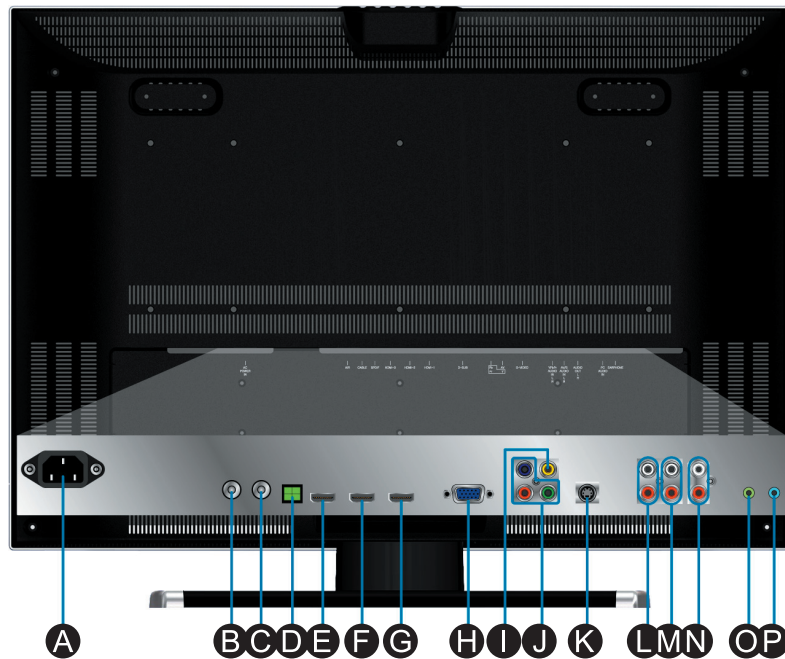
Manufactured under license from Dolby Laboratories.
Dolby and the double-D symbol are trademarks of Dolby Laboratories.

(Only for DTV source in this model.)

Note:

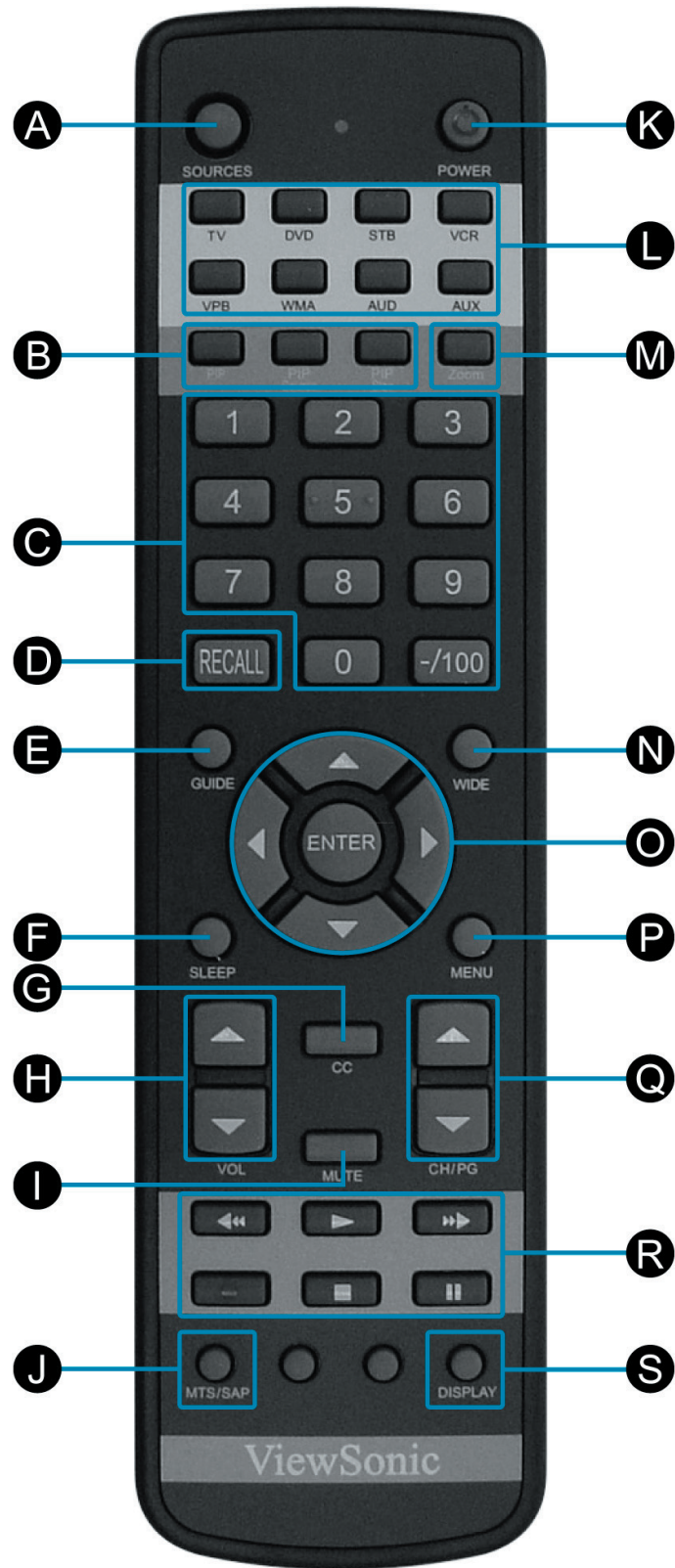
1. Press **VOL+** and **MENU** buttons at the same time to lock power button, and press **VOL+** and **MENU** buttons again to unlock it.
2. Press **VOL-** and **VOL+** buttons at the same time to lock OSD menu, and press **VOL-** and **VOL+** buttons again to unlock it.

Rear View of the Product



- A Power (AC input)**
Using power cord provided, connect to a power source.
- B Air TV input**
Connect to NTSC or ATSC TV source.
- C Cable TV input**
Connect to Cable TV (CATV) or Digital Cable.
- D SPDIF Optical output**
Connect this port to the SPDIF input of A/V device.
- E HDMI Input Terminal -3**
Connect this port to the HDMI output of A/V device.
- F HDMI Input Terminal -2**
Connect this port to the HDMI output of A/V device.
- G HDMI Input Terminal -1**
Connect this port to the HDMI output of A/V device.
- H VGA signal input**
Connect this port to the VGA output of your PC.
- I Composite Video input**
Connect this port to the composite video output of A/V device.
- J YPbPr signal input**
Connect this port to the YPbPr output of A/V device.
- K S-Video input**
Connect this port to the S-Video output of A/V device.
- L YPbPr signal Audio input (left/right)**
Connect this port to the RCA audio output connectors of your A/V device.
- M AV/ S-Video signal Audio input (left/right)**
Connect this port to the RCA audio output connectors of your A/V device.
- N Audio output**
Connect this port to your A/V device with audio in (RCA) connectors or to audio amplifier.
- O PC Audio input**
Connect this port to PC line out jack.
- P Headphone Jack**
Connect this port to your headphone.

Remote Control



Remote control button function as follow

A	SOURCES	Select input source
B	PIP *	PIP: activate PIP feature PIP Source: change PIP source PIP Size: change PIP size
C	0~9, -/100 number button	Input channel number
D	RECALL	Return to previous channel
E	GUIDE	Show electronic program guide (EPG)
F	SLEEP *	Set timer to turn off TV
G	CC	Close Caption
H	VOL▲ and VOL▼	Adjust volume
I	MUTE	Mute On/Off
J	MTS/SAP	Select Mono, Stereo or SAP sound
K	POWER	Power On/Off
L	Device buttons	Select desire device
M	Zoom	Adjust window size
N	WIDE *	Change aspect ratio
O	UP/ DOWN /LEFT/ RIGHT/ ENTER	UP/ DOWN for OSD function select and LEFT/ RIGHT for function adjust ENTER: Enter the function setting
P	MENU	On Screen Display (OSD) menu ON/OFF
Q	CH▲ and CH▼	Change channel for TV only
R	Control buttons **	Play/ Stop/ Pause/ Record/ Forward/ Rewind ⏸ button = freeze picture
S	DISPLAY	Display current information

Note: PIP means Picture In Picture.

* This feature may not be supported under all models.

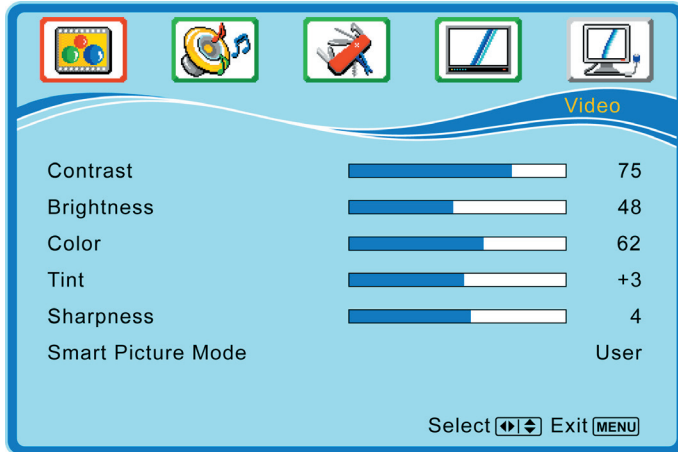
** For use on other device.

OSD Functions

ADVANCED OPERATION — OSD MENU

Video Menu — To adjust the picture quality

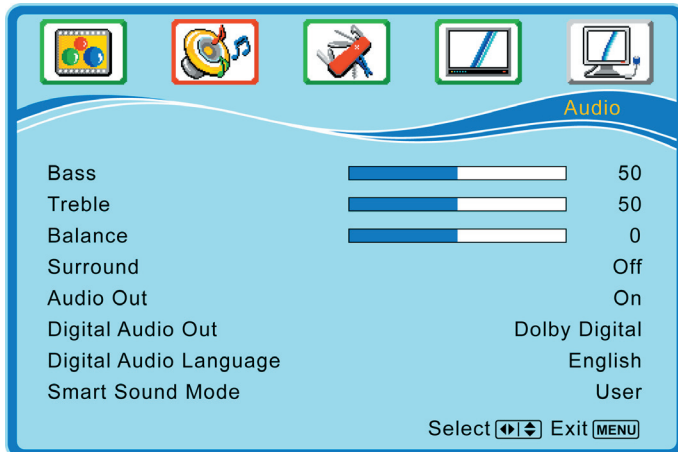
Video Menu is active in all except the VGA input source.



- **Contrast:** To adjust contrast of video. (right: Max, left: Min).
- **Brightness:** To adjust luminance of video. (right: Max, left: Min).
- **Color:** To adjust color. (right: brilliant color, left: pale color).
- **Tint:** To adjust tint level. (right: greenish tone, left: reddish tone).
- **Sharpness:** To adjust picture sharpness. (right: sharper, left: softer).
- * *Note: To adjust the above controls in the Video settings, Smart Picture Mode must be set to "User".*
- **Smart Picture Mode:** To select picture mode between User, Cinema, Sport, Vivid, and Hi-Bright.

Audio Menu — To set the audio quality and status

Audio Menu is active in all input sources.

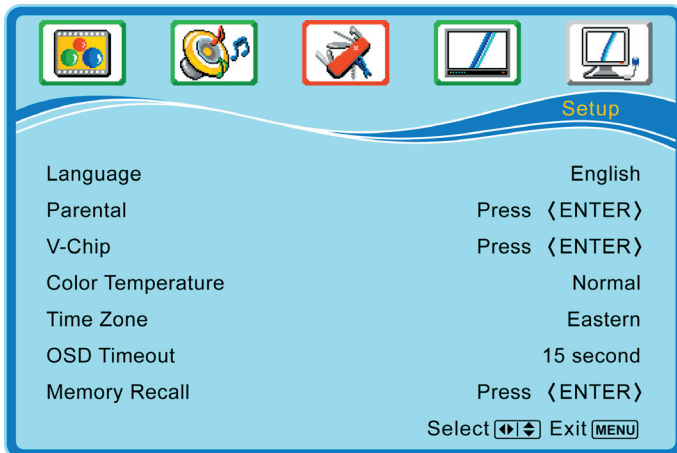


- **Bass:** To adjust bass.
- **Treble:** To adjust the treble
- **Balance:** To adjust left and right audio balance.
- **Surround:** To enjoy a concert hall effect, select **On** when stereo is playing.
- **Audio Out:** To control sound output ON/OFF from the RCA audio out connectors.
- **Digital Audio Out:** To select the sound format of the digital TV.
- **Digital Audio Language:** To select the audio language of the digital TV.
- * *Note: To adjust the above controls in the Audio settings, Smart Sound Mode must be set to "User".*
- **Smart Sound Mode:** To select sound mode between User, Rock, POP, Live, Dance, Techno, Classic, and Soft.

Setup Menu — To set up OSD window

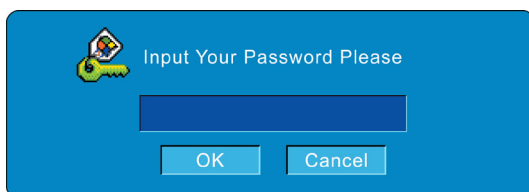
Setup Menu is active in all input sources.

(However, when in VGA input source, there is no “V-Chip” function in the menu.)



- **Language:** To select an OSD language from English, French or Spanish.
- **Parental:** To set up parental control.

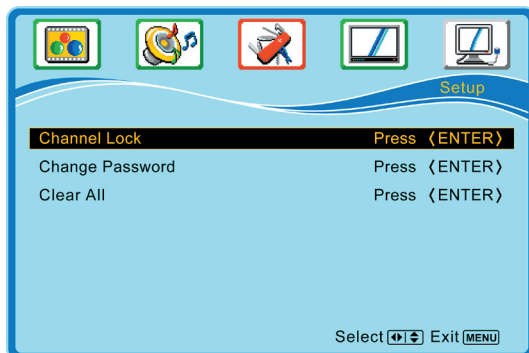
When you enter this control, the screen below will be displayed.



The factory default of the password is “0000”.

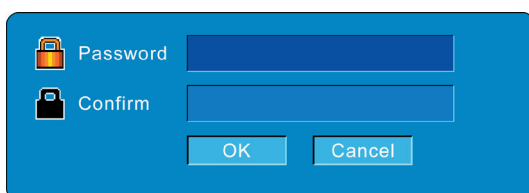
To enable parental control, input the password, press ▼ button to focus on **OK** key, and then press **ENTER**. (Select **Cancel** if you want to exit.)

After entering, the following screen will be shown.



Channel Lock: To lock channels. Use ◀▶ to select the channel you want to lock, and then press **ENTER** to lock or unlock it.

Change Password: To change the password, press **ENTER** and enter the password again. Press **ENTER**, and the following screen appears.



Enter the new password, use ▼ to move the cursor down, and then enter the new password again, press **OK** to confirm or **Cancel** to exit.

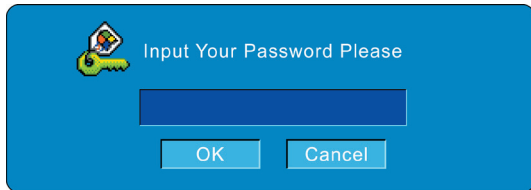
* *Note: Please make sure you remember your new password after changing. If the password is forgotten or missing, please use the remote control to enter "8866" to clean the password and reset a new one.*

Clear All: To clear all the locks set before, press **ENTER**.

Press **MENU** to return to the previous page.

- **V-Chip:** Press **ENTER**, and the following screen appears.

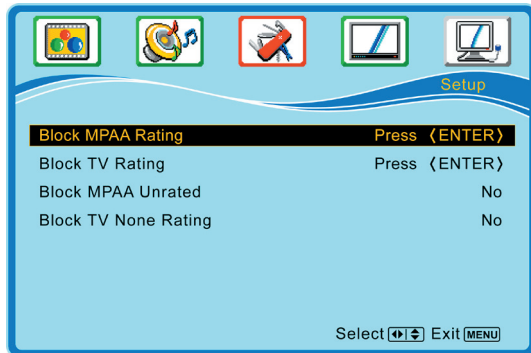
V-Chip is transmitted from TV station to help parents monitor what their children watch. According to the pre-set of factory, viewers can see all of the channels. However, setting V-Chip can block the appointed channels.



The factory default of the password is "0000".

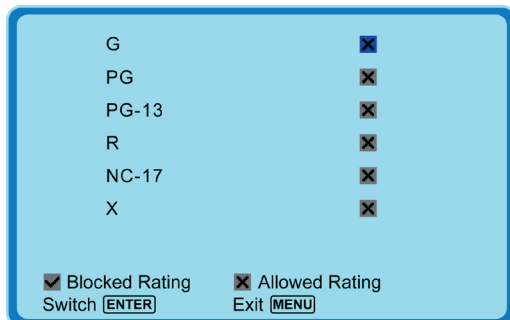
To enable parental control, input the password, press ▼ button to focus on **OK** key, and then press **ENTER**. (Select **Cancel** if you want to exit.)

After entering, the following screen will be shown.



Use ▲ ▼ to select your desired optional item, and press **ENTER**.

- **Block MPA Rating:** To adjust movie blocking level in the US. You can select between **NONE, G, PG, PG-13, R, NC-17, or X**.

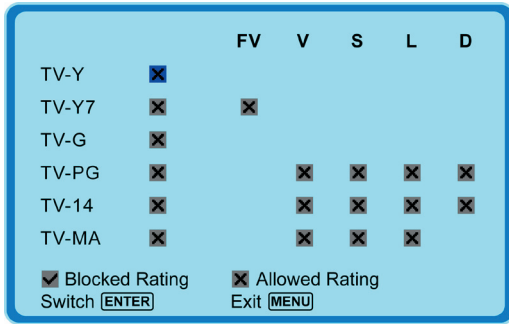


The movie Ratings in the US are defined as following.

G	General audience	R	Restricted
PG	Parental guidance suggested	NC-17	No one 17 and under limited
PG-13	Parents strongly cautioned	X	Adult audience only

Use **ENTER** button to block or unblock the ratings, and use **MENU** to exit.

- **Block TV Rating:** To adjust TV blocking level in the US. You can select between **TV-Y**, **TV-Y7**, **TV-G**, **TV-PG**, **TV-14**, or **TV-MA**.



The TV Ratings in the US are defined as following.

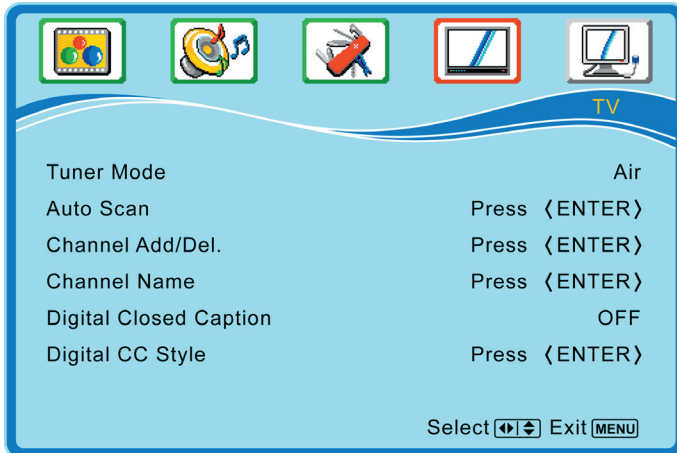
TV-Y	All children	TV-PG	Parental guidance suggested
TV-Y7	Directed to older children: this program is designed for children age 7 and above	TV-14	Parents strongly cautioned: this program contains some material that is unsuitable for children under 14 years of age
TV-G	General audience	TV-MA	Mature audience only

Use **ENTER** button to block or unblock the ratings, and use **MENU** to exit.

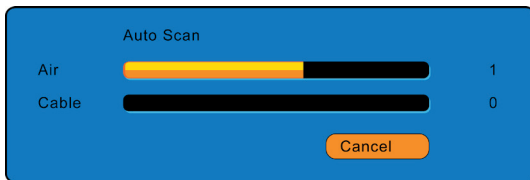
- **Block MPAA Unrated:** To block unrated movies.
 - **Block TV None Rating:** To block unrated TV programs.
-
- **Color Temperature:** To select the color temperature from Warm, Cold, Normal or User. (If you select User, you can adjust the degree of R, G, B in Color Temp. to suit your personal preference.)
 - **Time Zone:** To select Time Zones.
 - **OSD Timeout:** To setup the display time of OSD. (5, 15, 45, and 60 seconds)
 - **Memory Recall:** To restore the factory default settings.

TV Menu — To set up for TV

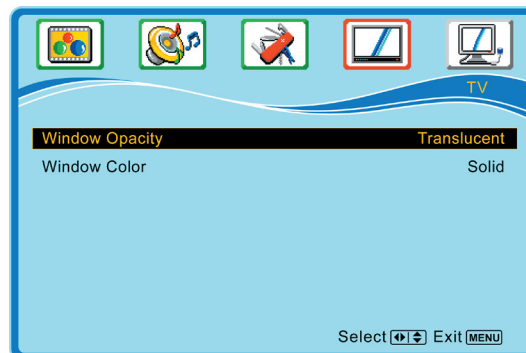
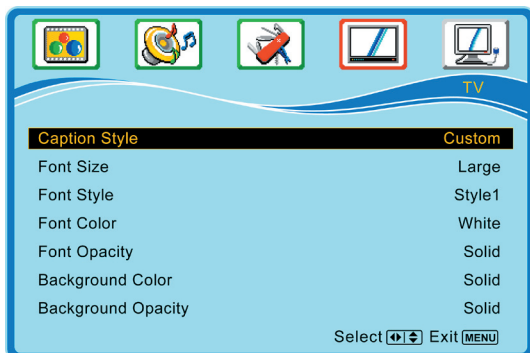
It is only active in TV source.



- **Tuner Mode:** To select Cable or Air as the TV source. Select “Cable” if you want to watch Cable TV channels, and select “Air” to watch Air TV channels.
- **Auto Scan:** To auto scan the TV and DTV channels. Press **ENTER** to start auto scanning TV and DTV channels. Press **ENTER** again at any time to interrupt scanning.



- **Channel Add/Del.:** Select **Delete** to skip the channel appointed, or select **Add** to restore the channel appointed by using ◀▶ or **ENTER**.
- **Channel Name:** Press **ENTER** to edit a name for the channel appointed. Use ▲▼◀▶ to select the letters you want, and use **BackSpace** key to delete backwards. Move the cursor to **OK** and then press **ENTER** to complete and save the channel name. To cancel editing, choose **Cancel** or exit without pressing **OK**.
- **Digital Closed Caption:** To select closed caption signal formats and set up caption modes for digital TV channels. (C1~C4, Service1~Service 6, or OFF)
- **Digital CC Style:** Press ◀▶ to select **Caption Style** from **As Broadcaster** or **Custom**. When Custom is selected, use ▲▼ to select the desired controls, ◀▶ to adjust detailed settings.



Font Size: To select a font size from Large, Small, or Medium.

Font Style: To select different font style from Style 1 to Style 7.

Font Color: To select a font color from Black, White, Green, Blue, Red, Cyan, Yellow, or Magenta.

Font Opacity: To select font opacity from Solid, Translucent, or Transparent.

Background Color: To select background color.

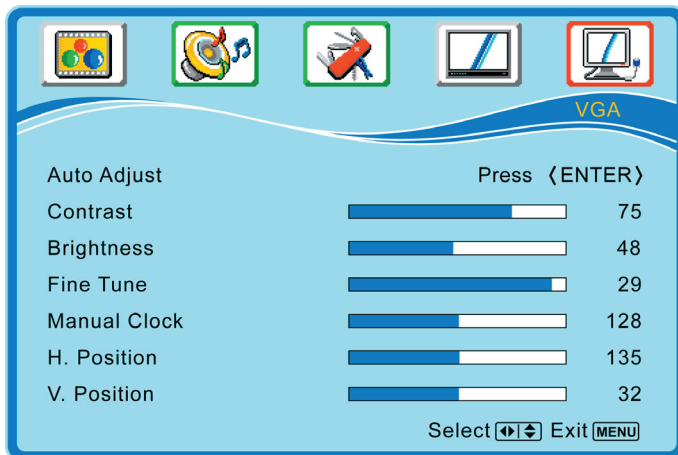
Background Opacity: To select background opacity.

Window Opacity: To select window opacity.

Window Color: To select window color.

VGA Menu — To set up for computer

It is only active in VGA source.



- **Auto Adjust:** Press **ENTER** to auto adjust picture's horizontal position, vertical position, fine tune and H-Size.
- **Contrast:** To adjust contrast of the video.
- **Brightness:** To adjust luminance of the video.
- **Fine Tune:** To adjust the delay time of data and clock to reduce noise in picture.
- **Manual Clock:** To adjust the horizontal pixel clock of the video.
- **H. Position:** To adjust the horizontal position of the picture.
- **V. Position:** To adjust the vertical position of the picture.

ADVANCED OPERATION — REMOTE CONTROL

PIP/POP

PIP/POP button allows you to watch two screens from different sources at the same time. (PIP is picture in picture; POP is picture out of picture.)

Press **PIP** on the remote control repeatedly.

The screen will change from normal screen → PIP screen → POP screen.



- **PIP Input Source Select**

1. Press **PIP Source** button to select input source for sub-screen as following. (You must press **PIP** button first.)

Main Screen	Available Sub-Screen Input Source
TV	YPbPr / HDMI1 / HDMI2 / HDMI3 / VGA
AV	YPbPr / HDMI1 / HDMI2 / HDMI3 / VGA
S-Video	YPbPr / HDMI1 / HDMI2 / HDMI3 / VGA
YPbPr	TV / AV / S-Video / HDMI1 / HDMI2 / HDMI3
HDMI1 / HDMI2 / HDMI3	AV / S-Video / YPbPr / VGA
VGA	TV / AV / HDMI1 / HDMI2 / HDMI3

2. Use ◀▶ to select the sub-input source and press **ENTER** to confirm.

Note: To select the input source for main screen, press **SOURCES** button.

- **PIP Size Select:** Press **PIP Size** to select the size of sub-screen. The function only acts on PIP.
- **PIP Position Select:** Press ▲ to select the position of sub-screen. The function only acts on PIP.



Note that the screen indexed with the pink frame is the screen you select to set up.

Use ◀▶ to move the index between the main screen and the sub-screen.

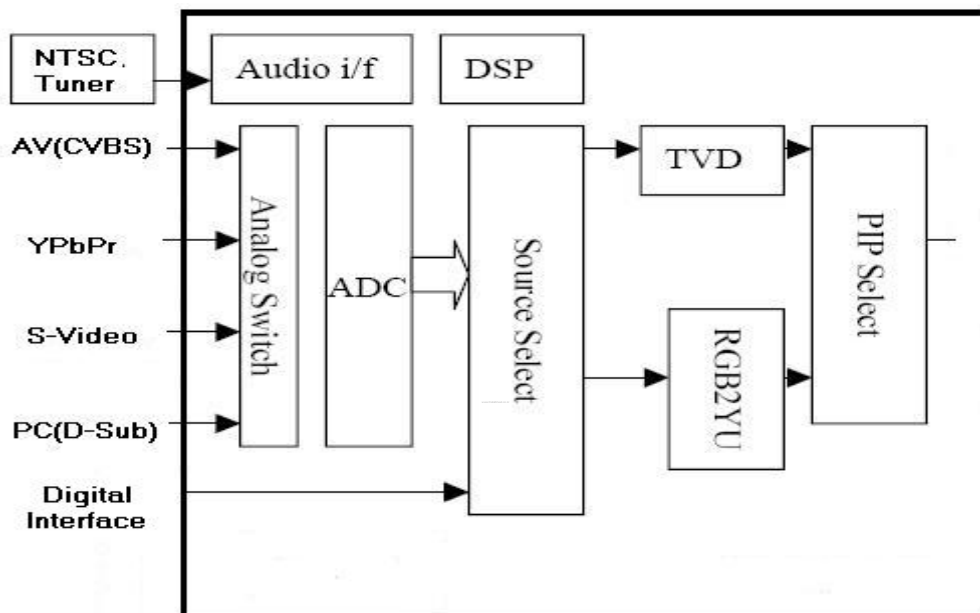
4. Circuit Description

A. Analog Switch and Video input.

MT8202 is a highly integrated video and audio single chip processor for emerging HDTV-Ready LCD TV. It includes one 3D/2D TV Decoder recovering the best image from CVBS, and in addition, its analog input also support popular S-Video, Component, VGA video source. On-chip advanced motion adaptive de-interlacer (MDDitm) converts accordingly the interlace video into smooth non-flicking progressive motion pictures.

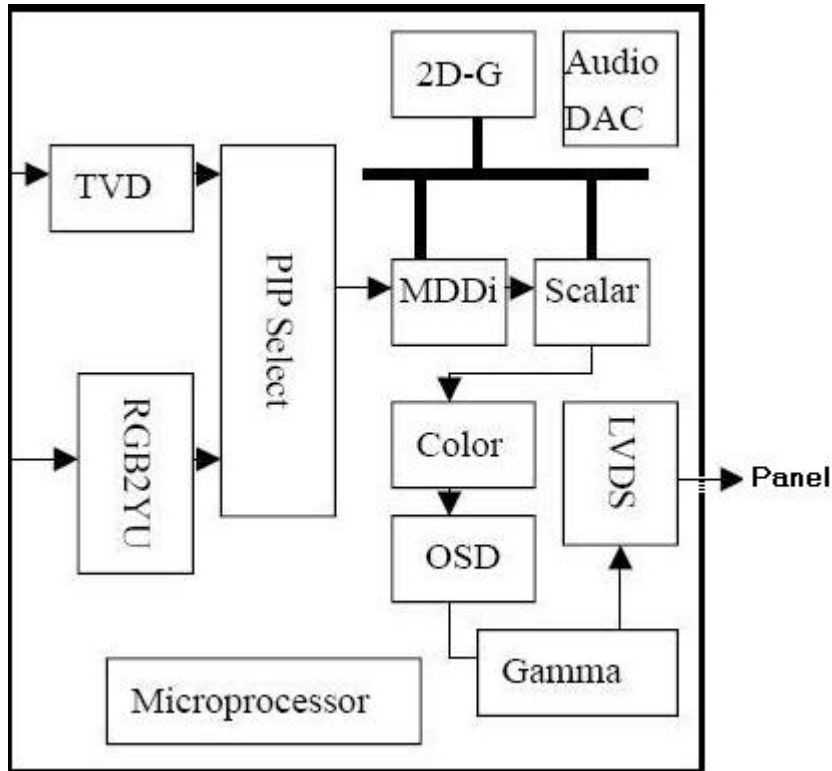
Analog switch is built in MT8202 and accept CVBS, YPbPr, S-Video, RGB signal directly to internal video front end. For most system application, there is no need to add external components to add analog video multiplexer on board.

The video ADC sample analog input signals. After ADC, all signal processing is digital domain. The source select multiplex all inputs from digital and analog video ports and route them into Main and PIP data path.



B. 3D comb filter, Video Decoder, Deinterlacer and Scaling controller.

MT8202 includes 3D comb filter TV decoder to retrieve the best image from popular composite signals. Embedded HDTV/VGA decoders let the high bandwidth input signals perfectly reproduced. 24/16/8 bits digital port may accept all kinds of external digital input video source. New 2nd generation advanced motion adaptive de-interlacer converts accordingly the interlace video into progressive one with overlay of a 2D Graphic processor. Advanced full function color processing with fully 10-bit path provides high quality video contents. Independent two Flexible scalers provide wide adoption to various LCD panels for two of different video sources at the same time. MT8202 supports alpha blending for Video and two OSD planes. It also supports 10bit gamma correction and advanced dithering processing for LCD display with 6/8/10 bit output.



C. DTV and HDMI.

MT5112 is a fully integrated single-chip 8-VSB and 64/256-QAM demodulator. The chip is designed specifically for the digital terrestrial HDTV and CATV receivers. MT5112 includes a 10-bit A/D converter, 8-VSB/QAM demodulator, TCM (Trellis-Coded modulation) decoder, and Reed- Solomon Forward Error Correction decoder. Moreover, an internal controller handles the acquisition and tracking to ensure the best receiving performance.

The internal controller communicates with the external host controller via the I2C-compatible interface, and also provides direct control to the RF tuner via the second I2C-compatible interface.

MT5112 accepts either the direct IF signals and the IF signals are sampled by a 10-bit A/D converter. Afterward, the digitized samples are further processed for adjacent channel interference rejection. MT5112 measures the power level of the digitized sequence, and feeds the control voltages back to the RF tuner and the IF amplifier respectively. The control voltages are converted to analog signals through the on-chip 1-bit sigma-delta D/A converters plus the off-chip R-C low-pass filters. The automatic gain control keeps the received power level at a desired level and maximizes the received SNR.

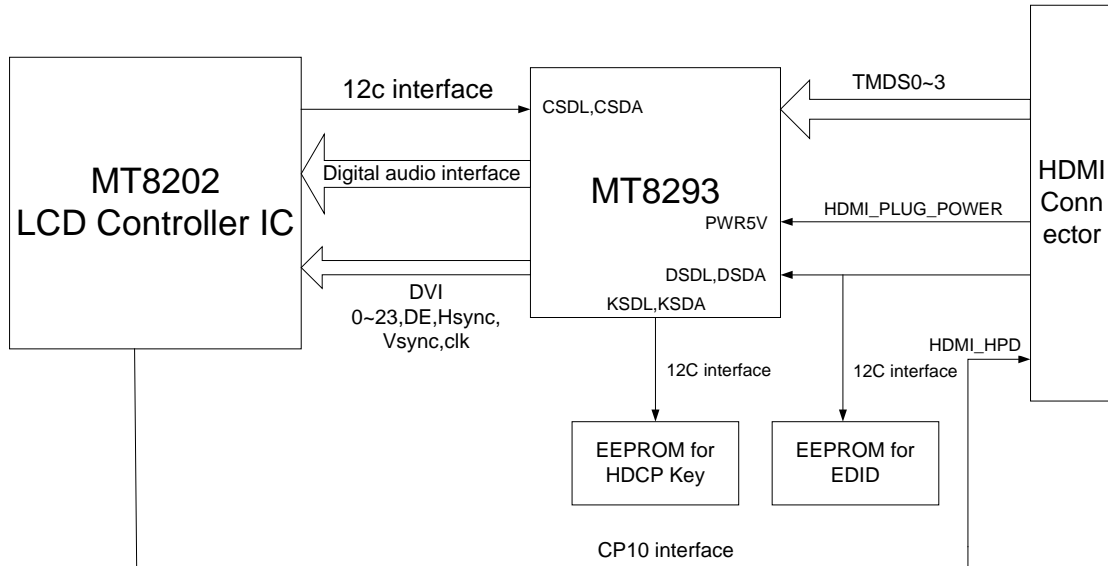
The MT5351AG is a DTV Backend Decoder SOC which support flexible transport demux, HD MPEG-2 video decoder, JPEG decoder, MPEG1,2, MP3, AC3 audio decoder, HD TV encoder. It incorporates a processor for system control. The processor issues instructions to control the peripheral via I²C and communicates with MT8202 via UART. DDR SDRAM is externally connected to the MT5351AG, the unified memory allows all internal decoders can share data, which reduces external memory types and capacities.

The MT5351AG receives bitstream input in TS format, and then separates the TS into audio and video PES, analyzing the PES header, and transferring the PES to the audio and video decoders.

MT8293 is fully HDMI-compliant receiver that fits directly into home theater products such as LCD TVs, plasma TVs and HDTVs. The receiver is capable of supporting bandwidths up to

165 MHz and video resolutions up to 1080p and UXGA. The MT8293 supports the DVD-Audio standard, including 7.1- surround audio at 96kHz and stereo audio at 192kHz.

The built-in High-bandwidth Digital Content Protection (HDCP) decryption engine secures the digital link for transmission of valuable high-definition video and audio. Built-in HDCP self-test engine simplifies manufacturing testing.



MT8293 has 3 I2C interfaces.

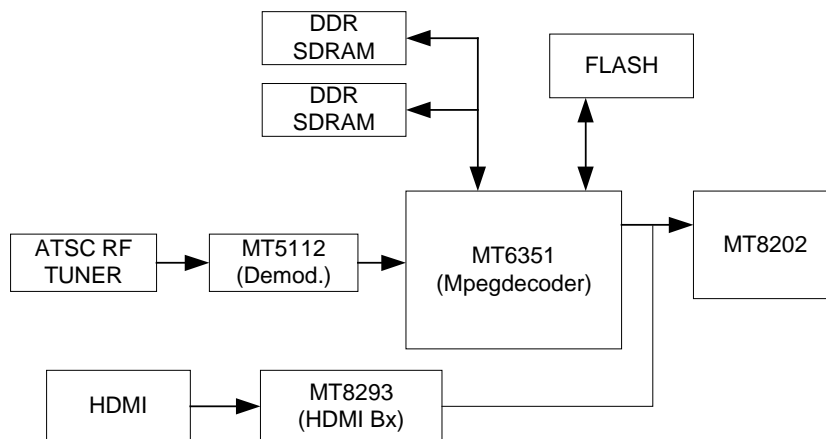
LCD Controller IC use the CSDL/CSDA interface to access MT8293 registers.

MT8293 use KSDL/KSDA interface to read HDCP key from the EEPROM.

HDMI transmitter use DSDL/DSDA to access MT8293 HDCP related register.

HDMI Transmitter will pull high HDMI_PLUG_POWER (pin 18 in connector) when the cable is connected. LCD Controller will pull high HDMI_HPD (pin 19 in connector) to info the HDMI transmitter that the receiver is ready. The HDMI transmitter sends the video & audio to MT8293 via 3 Data TMDS pairs & 1 CLOCK TMDS pairs.

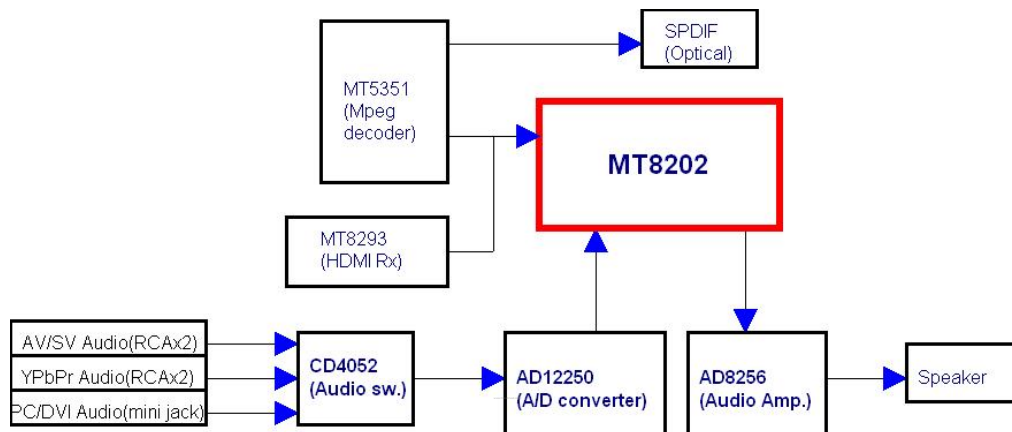
Digital video signals are directly output from the MT5351AG and MT8293 and then transfer them to the MT8202 for advanced processing.



D. Audio

MT8202 incorporates a on-chip audio processor decodes whole world standard audio signals from tuner with lip sync control, delivering high quality post-processed sound effect to customers. Audio interface accept analog audio signal from Tuner, e.g. SIF or AF. It also includes preprocessing circuit to filter the noisy audio signals. Audio decoder will decode the BTSC, and output best sound with enhanced 3D surround post-processing.

The AD12250 converts stereo single-ended analog input signals into 24-bit I2S digital audio data through on-chip anti-aliasing filter, multi-bit $\Sigma - \Delta$ modulator, decimation filter and high-pass filter which removes dc offsets. External analog audio signal , such as AV, S-video, etc. is directly fed into AD12250 via a audio switch and converted to I2S digital audio data. Digital audio, such as HDMI and DTV, have decoded by MT5351 and MT8293, is converted to I2S digital audio already. The I2S digital audio data is decoded and processed by MT8202, and then be delivered to AD8256 for audio amplifying.



5. Adjusting Procedure

1. Function Test

1.1. Product

- 37" LCD TV

1.2. Test Equipment

- PC signal generator: CHROMA 2525 CARD ,CHROMA 2327 or 2329,Pioneer DV-S969AVi.
- TV and Video signal generator.
- Color analyzer: MINOLTA CA110.
- Power meter: CP-310A or CP-320A.
- AC power supply transformer: 110V/120V ±20% 60Hz ±5%.
- Digital ammeter

1.3. Test Condition

Before function test and alignment, each LCD TV should be run-in and warmed up for at least 30 minutes with the following conditions:

- (a) In room temperature,
- (b) With full-white screen, and 16 grey scale,
- (c) With cycled display modes.

1.4. Test Display Modes & Pattern

1.4.1 EEPROM INIT

- A. Timing: 1360*768@60Hz
- B. Pattern: 16*12 pane
- C. Press 'POWER', '▲' and 'ENTER' at the same time, then go into the FACTORY MODE.



Fig. 1

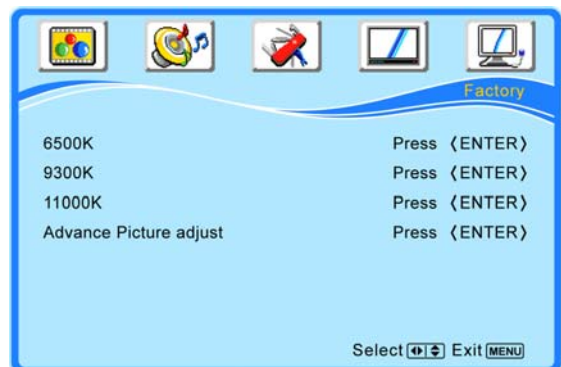


Fig. 2

D. Figure 1, Select EEPROM INITIAL and press ENTER. The act of EEPROM INITIAL is completed when EEPROM INIT disappeared.

1.4.2 COLOR TEMPERATURE ADJUSTING

PC MODE:

- A. Timing: 1360*768@60Hz.
- B. Pattern: 16 grey scale.
- C. LCD TV should be run-in and warmed up for at least 30 minutes.
- D. Make sure the distance between SENSOR of the CA110 and the LCD TV is about 20cm.
- E. Color Temperature adjusting.
 - 1. Fig. 1: under the picture 16 grey scale of VGA source, select WHITE BALANCE and press ENTER, The color warm will auto adjust. The act of WHITE BALANCE is completed when the picture is steady.
 - 2. After adjusting, switch to FULL WHITE and check the value of each color.

Preset color for N3752W
 $x=0.283\pm 0.015$

$y=0.297\pm 0.015$

3. Under the picture NTSC color bar of YPbPr source, select WHITE BALANCE and press ENTER, The color warm will auto adjust. The act of WHITE BALANCE is completed when WHITE BALANCE disappeared.
4. After adjusting, switch to FULL WHITE and check the value of each color.
Preset color for N3752W

$$x=0.283\pm 0.015$$

$$y=0.297\pm 0.015$$

1.4.3 Power Consumption Check (VGA MODE)

- A. TIMING: 1360 x 768@60Hz
- B. Pattern: 1010UPRIGHTNESS PATTERN
- C. BRIGHTNESS=MAX, CONTRAST=MAX.
- D. The power that each MODE consumed is shown in Chart 1.

MODE	MAX POWER COMSUMED	POWER LED COLOR
NORMAL	200W(max)	GREEN
Stand-by	3 W (max)	RED

Chart 1

- 1.4.4 Check the position of the picture displayed and phase auto adjusting (VGA MODE). Depend on the TIMING of TIMING TABLE (TABLE 3) to switch MODE in order, stay about 10 seconds each MODE, it can changed and stored automatically each MODE. We can't switch over to the next MODE until AUTO ADJUST disappears.

1.4.5 HDMI MODE FUNCTION TEST

- A. DVI MODE: Depend on the TIMING of TIMING TABLE (TABLE 3) to check MODE in order.
- B. HDMI MODE: make sure the 480i, 480p, 720p, 1080i TIMING is right.

1.4.6 OSD FUNCTION TEST

- A. Time: 1360x768@60Hz
- B. Pattern: 16*12 pane
- C. Make sure that Each FUNCTION has one right action.

1.4.7 DTV FUNCTION TEST

Make sure the power is OFF before installing your LCD TV.

- A. Air TV: Connect the LCD TV to TV antenna with 75-ohm coaxial cable. Preset the air TV channels into memory with AUTO SCAN function when using an antenna TV system. This air input jack both support TV and DTV systems. Besides, the TV system (NTSC) and DTV systems (ATSC) can be found by the scanning of "AIR" in the AUTO SCAN function.
- B. Cable TV: Connect the LCD TV to the cable with CATV and Digital cable. Preset the cable TV channels into memory with AUTO SCAN function when using a cable TV system. The cable input jack both support CATV and Digital cable systems. Besides, the CATV system (cable TV) and Digital cable system (Clear QAM) can be found by the scanning of "Cable" in the AUTO SCAN function.

1.4.8 YPbPr, S-VIDEO, AV, TV, DTV'S FUNCTION TEST

- A. Input YPbPr, S-VIDEO, AV , TV, DTV'S signal and check.
- B. Input USA air channel (TABLE 1) and USA CATV channel for TV channel.
- C. Under YPbPr MODE, Make sure the 408i, 480P, 720P, 1080i is right.

1.4.9 AUDIO FUNCTION TEST

- A. Audio input includes PC AUDIO IN, S-VIDEO/AV AUDIO IN and YPbPr AUDIO IN.
- B. Under PC MODE, input PC AUDIO signal, checks whether the action of AUDIO IN is right.
- C. Under S-VIDEO/AV MODE, input L/R AUDIO signal, checks whether the action of AUDIO IN is right.
- D. Under YPbPr MODE, input L/R AUDIO signal, checks whether the action of AUDIO IN is right.
- E. Under HDMI MODE, checks whether the action of AUDIO IN is right.
- F. Under DTV MODE, checks whether the action of SPDIF is right.
- G. AUDIO OUT FUNCTION TEST: Under all patterns except PC pattern, The Audio output meets active extra speaker, examines whether the extra speaker makes the sound.

1.4.10 EARPHONE FUNCTION TEST

Under PC MODE, input PC AUDIO signal, determines whether the action of INT SPEAKER output is right. Meets earphone with the EARPHONE, Determined whether

the action of EARPHONE output is normal.

1.4.11 All Modes Reset

After final QC step, we must to erase all saved changes again and restore the factory defaults.

You should do “All Mode Reset” again.

Turn off the LCD TV by pressing “Power” button.

TV Frequency Table:

U.S.A Channel (TABLE 1)

VIF 45.75 MHz, SIF 41.25 MHz

(Unit : MHz)

Ch.	Freq.range	fp (picture)	fs (sound)	fosc	Ch.	Freq.range	fp (picture)	fs (sound)	fosc
2	54 – 60	55.25	59.75	101.00	43	644 – 650	645.25	649.75	691.00
3	60 – 66	61.25	65.75	107.00	44	650 – 656	651.25	655.75	697.00
4	66 – 72	67.25	71.75	113.00	45	656 – 662	657.25	661.75	703.00
5	76 – 82	77.25	81.75	123.00	46	662 – 668	663.25	667.75	709.00
6	82 – 88	83.25	87.75	129.00	47	668 – 674	669.25	673.75	715.00
7	174 – 180	175.25	179.75	221.00	48	674 – 680	675.25	679.75	721.00
8	180 – 186	181.25	185.75	227.00	49	680 – 686	681.25	685.75	727.00
9	186 – 192	187.25	191.75	233.00	50	686 – 692	687.25	691.75	733.00
10	192 – 198	193.25	197.75	239.00	51	692 – 698	693.25	697.75	739.00
11	198 – 204	199.25	203.75	245.00	52	698 – 704	699.25	703.75	745.00
12	204 – 210	205.25	209.75	251.00	53	704 – 710	705.25	709.75	751.00
13	210 – 216	211.25	215.75	257.00	54	710 – 716	711.25	715.75	757.00
14	470 – 476	471.25	475.75	517.00	55	716 – 722	717.25	721.75	763.00
15	476 – 482	477.25	481.75	523.00	56	722 – 728	723.25	727.75	769.00
16	482 – 488	483.25	487.75	529.00	57	728 – 734	729.25	733.75	775.00
17	488 – 494	489.25	493.75	535.00	58	734 – 740	735.25	739.75	781.00
18	494 – 500	495.25	499.75	541.00	59	740 – 746	741.25	745.75	787.00
19	500 – 506	501.25	505.75	547.00	60	746 – 752	747.25	751.75	793.00
20	506 – 512	507.25	511.75	553.00	61	752 – 758	753.25	757.75	799.00
21	512 – 518	513.25	517.75	559.00	62	758 – 764	759.25	763.75	805.00
22	518 – 524	519.25	523.75	565.00	63	764 – 770	765.25	769.75	811.00
23	524 – 530	525.25	529.75	571.00	64	770 – 776	771.25	775.75	817.00
24	530 – 536	531.25	535.75	577.00	65	776 – 782	777.25	781.75	823.00
25	536 – 542	537.25	541.75	583.00	66	782 – 788	783.25	787.75	829.00
26	542 – 548	543.25	547.75	589.00	67	788 – 794	789.25	793.75	835.00
27	548 – 554	549.25	553.75	595.00	68	794 – 800	795.25	799.75	841.00
28	554 – 560	555.25	559.75	601.00	69	800 – 806	801.25	805.75	847.00
29	560 – 566	561.25	565.75	607.00					
30	566 – 572	567.25	571.75	613.00					
31	572 – 578	573.25	577.75	619.00					
32	578 – 584	579.25	583.75	625.00					
33	584 – 590	585.25	589.75	631.00					
34	590 – 596	591.25	595.75	637.00					
35	596 – 602	597.25	601.75	643.00					
36	602 – 608	603.25	607.75	649.00					
37	608 – 614	609.25	613.75	655.00					
38	614 – 620	615.25	619.75	661.00					
39	620 – 626	621.25	625.75	667.00					
40	626 – 632	627.25	631.75	673.00					
41	632 – 638	633.25	637.75	679.00					
42	639 – 644	639.25	643.75	685.00					

U.S.A Channe2 (TABLE 2)
VIF45.75 MHz, SIF 41.25 MHz

(Unit : MHz)

Ch.		Freq.range	fp (picture)	fs (sound)	fosc	Ch.		Freq.range	fp (picture)	fs (sound)	fosc
2	2	54 – 60	55.25	59.75	101.00	JJ	46	354 – 360	355.25	359.75	401.00
3	3	60 – 66	61.25	65.75	107.00	KK	47	360 – 366	361.25	365.75	407.00
4	4	66 – 72	67.25	71.75	113.00	LL	48	366 – 372	367.25	371.75	413.00
5A	1	72 – 78	73.25	77.75	119.00	MM	49	372 – 378	373.25	377.75	419.00
5	5	76 – 82	77.25	81.75	123.00	NN	50	378 – 384	379.25	383.75	425.00
6	6	82 – 88	83.25	87.75	129.00	OO	51	384 – 390	385.25	389.75	431.00
A-5	95	90 – 96	91.25	95.75	137.00	PP	52	390 – 396	391.25	395.75	437.00
A-4	96	96 – 102	97.25	101.75	143.00	QQ	53	396 – 402	397.25	401.75	443.00
A-3	97	102 – 108	103.25	107.75	149.00	RR	54	402 – 408	403.25	407.75	449.00
A-2	98	108 – 114	109.25	113.75	155.00	SS	55	408 – 414	409.25	413.75	455.00
A-1	99	114 – 120	115.25	119.75	161.00	TT	56	414 – 420	415.25	419.75	461.00
A	14	120 – 126	121.25	125.75	167.00	UU	57	420 – 426	421.25	425.75	467.00
B	15	126 – 132	127.25	131.75	173.00	VV	58	426 – 432	427.25	431.75	473.00
C	16	132 – 138	133.25	137.75	179.00	WW	59	432 – 438	433.25	437.75	479.00
D	17	138 – 144	139.25	143.75	185.00	AAA	60	438 – 444	439.25	443.75	485.00
E	18	144 – 150	145.25	149.75	191.00	BBB	61	444 – 450	445.25	449.75	491.00
F	19	150 – 156	151.25	155.75	197.00	CCC	62	450 – 456	451.25	455.75	497.00
G	20	156 – 162	157.25	161.75	203.00	DDD	63	456 – 462	457.25	461.75	503.00
H	21	162 – 168	163.25	167.75	209.00	EEE	64	462 – 468	463.25	467.75	509.00
I	22	168 – 174	169.25	173.75	215.00		65	468 – 474	469.25	473.75	515.00
7	7	174 – 180	175.25	179.75	221.00		66	474 – 480	475.25	479.75	521.00
8	8	180 – 186	181.25	185.75	227.00		67	480 – 486	481.25	485.75	527.00
9	9	186 – 192	187.25	191.75	233.00		68	486 – 492	487.25	491.75	533.00
10	10	192 – 198	193.25	197.75	239.00		69	492 – 498	493.25	497.75	539.00
11	11	198 – 204	199.25	203.75	245.00		70	498 – 504	499.25	503.75	545.00
12	12	204 – 210	205.25	209.75	251.00		71	504 – 510	505.25	509.75	551.00
13	13	210 – 216	211.25	215.75	257.00		72	510 – 516	511.25	515.75	557.00
J	23	216 – 222	217.25	221.75	263.00	—	73	516 – 522	517.25	521.75	563.00
K	24	222 – 228	223.25	227.75	269.00		74	522 – 528	523.25	527.25	569.00
L	25	228 – 234	229.25	233.75	275.00		75	528 – 534	529.25	533.75	575.00
M	26	234 – 240	235.25	239.75	281.00		76	534 – 540	535.25	539.75	581.00
N	27	240 – 246	241.25	245.75	287.00		77	540 – 546	541.25	545.75	587.00
O	28	246 – 252	247.25	251.75	293.00		78	546 – 552	547.25	551.75	593.00
P	29	252 – 258	253.25	257.75	299.00		79	552 – 558	553.25	557.75	599.00
Q	30	258 – 264	259.25	263.75	305.00		80	558 – 564	559.25	563.75	605.00
R	31	264 – 270	265.25	269.75	311.00		81	564 – 570	565.25	569.75	611.05
S	32	270 – 276	271.25	275.75	317.00		82	570 – 576	571.25	575.75	617.00
T	33	276 – 282	277.25	281.75	323.00		83	576 – 582	577.25	581.75	623.00
U	34	282 – 288	283.25	287.75	329.00		84	582 – 588	583.25	587.75	629.00
V	35	288 – 294	289.25	293.75	335.00		85	588 – 594	589.25	593.75	635.00
W	36	294 – 300	295.25	299.75	341.00		86	594 – 600	595.25	599.75	641.00
AA	37	300 – 306	301.25	305.75	347.00		87	600 – 606	601.25	605.75	647.00
BB	38	306 – 312	307.25	311.75	353.00		88	606 – 612	607.25	611.75	653.00
CC	39	312 – 318	313.25	317.75	359.00		89	612 – 618	613.25	617.75	659.00
DD	40	318 – 324	319.25	323.75	365.00		90	618 – 624	619.25	623.75	665.00
EE	41	324 – 330	325.25	329.75	371.00		91	624 – 630	625.25	629.75	671.00
FF	42	330 – 336	331.25	335.75	377.00		92	630 – 636	631.25	635.75	677.00
GG	43	336 – 342	337.25	341.75	383.00		93	636 – 642	637.25	641.75	693.00
HH	44	342 – 348	343.25	347.75	389.00		94	642 – 648	643.25	647.75	689.00
II	45	348 – 354	349.25	353.75	395.00						

1.5. TV receiving test:

1.5.1 TV SIGNAL TEST ITEM

CENTRALISM TRANSMITTING SIGNAL CHECK CONTENT

CHANNEL ORDER	FREQUENCY (MHz)	SET CONTENT			CHECK CONTENT
		PATTERN	SOUND	P/S(dB)	
CHANNEL 2	55.25	MONO SCOPE	SWEEP TONE	-10	ELECTRIC ABNORMITY SOUND
CHANNEL 6	83.25	COLOR BAR	400Hz	-10	SOUND ,PICTURE
CHANNEL 7	175.25	Full White (100 IRE)	STEREO	-10	STERO FUNCTION
CHANNEL 13	211.25	STAIR	DUAL	-10	SUB FUNCTION
CHANNEL 14	471.25	MULTIBURST	MONO	-16	IMAGE AND SOUND DISTURB
CHANNEL 36	603.25	MULTIBURST	MONO	-10	TEST Close-caption T1 FUNCTION
CHANNEL 69	801.25	MONO SCOPE	MONO(1KHz)	-10	NOISE LIMMITTED SENSITIVITY

TV TEST METHOD

- A.CHANNEL2 Examines sound by ear, whether the sound does have mechanical resonance and the electrical unusual sound, and image to sound disturbance.
- B.CHANNEL6: Check sound and picture.
- C.CHANNEL7: Examines whether the sound does receive the image disturbance, Judgment basis: Whether there is unusual sound, input signal LEVEL<=36dBu,and STEREO SENSITIVITY is normal.
- D.CHANNEL13: Under main/sub/main-sub mode, check sub function.
- E.CHANNEL14: Examines whether the sound does receive the image disturbance, Judgment basis: Whether there is unusual sound.
- F. CHANNEL 36:Check T1 of close-caption. Input signal level<=45dBu.
- G.CHANNEL 69: Adjustment attenuator, If the critical point of the change of the image signal to noise ratio is under LEVEL<=60dBu, regards as normally.

PRODUCTS OUTPUT CHECK ITEM.

- A. The same as " CENTRALISM TRANSMITTING SIGNAL CHECK CONTENT"
- B. saturation TEST, inputs the TV signal, the input signal LEVEL establishment most greatly is 90dBu,check whether CONTRAST of the image is normal; Whether appears the disturbance phenomenon.
- C.AFT CHECK,
- (1) The frequency of the input TV signal is 211.25MHz (CH13), after confirmed the TV set receives this signal, closure radio station; Then set frequency of the TV signal generator to be 212.25MHz, turn on the TV set and check whether the TV set receives the signal of CH13.
 - (2). The frequency of the input TV signal is 211.25MHz (CH13), after confirmed the TV set receives this signal, closure radio station; Then set frequency of the TV signal generator to be 211.00MHz, turn on the TV set and check whether the TV set receives the signal of CH13.
 - (3). After all of FUNCTION TEST completed, we must erase all saved changes again and restore the factory defaults.

1.6. DTV TEST ITEM

CHANNEL	FREQUENCY	SOUND	dB	PETTEN	CHECK CONTENT
14	471.25MHz	Y	50	Dynamic picture	Picture
36	603.25MHz	Y	50	Color bar	Color
69	801.25MHz	Y	75	Dynamic picture	Sound and Picture

DTV CHECK METHOD

- A.CHANNEL14: Check whether there are some pause or the mosaic phenomenon in the picture.
- B.CHANNEL36: Check whether the color of the color bar is normal.
- C.CHANNEL69: Turn RF attenuator and check the critical point of the change of the image's S/N is under LEVEL<45~85> dBu, regards as normally.

TIMING TABLE (FACTORY PRESET MODE) (TABLE 3)

ITEM	1	2	3	4
TIMING	640 ×480 60HZ	640 ×480 75HZ	800 ×600 60HZ	800 ×600 75HZ
Pixel Rate	25.175MHZ	31.500MHZ	40.000MHZ	49.500MHZ
H TOTAL	31.778us	26.667us	26.400us	21.333us
H DISPLAY	25.422us	20.317us	20.000us	16.162us
H B-Porch	1.907us	3.810us	2.200us	3.232us
H Width	3.813us	2.032us	3.200us	1.616us
H Border	0.318us	0.000us	0.000us	0.000us
V TOTAL	16.683ms	13.334ms	16.579ms	13.333ms
V DISPLAY	15.253ms	12.800ms	15.840ms	12.800ms
V B-Porch	1.049ms	0.427ms	0.607ms	0.448ms
Vs Width	0.064ms	0.080ms	0.106ms	0.064ms
V Border	0.254ms	0.000ms	0.000ms	0.000ms
H/V Sync	-/-	-/-	+/+	+/+
Interlace	No.	No.	No.	No.
ITEM	5	6	7	8
TIMING	1024 ×768 60HZ	1024 ×768 75HZ	1280 ×720 60HZ	1280 ×768 60HZ
Pixel Rate	65.000MHZ	78.750MHZ	74.250MHZ	65.000MHZ
H TOTAL	20.677us	16.660us	22.222us	20.677us
H DISPLAY	15.754us	13.003us	17.239us	15.754us
H B-Porch	2.462us	2.235us	2.936us	2.462us
H Width	2.092us	1.219us	1.007us	2.092us
H Border	0.000us	0.000us	0.000us	0.000us
V TOTAL	16.666ms	13.328ms	16.667ms	16.666ms
V DISPLAY	15.880ms	12.795ms	16.000ms	15.880ms
V B-Porch	0.600ms	0.466ms	0.444ms	0.600ms
Vs Width	0.124ms	0.050ms	0.111ms	0.124ms
V Border	0.000ms	0.000ms	0.000ms	0.000ms
H/V Sync	-/-	+/+	-/-	-/-
Interlace	No.	No.	No.	No.

TIMING TABLE (FACTORY PRESET MODE) (TABLE 3)

ITEM	9	10	11	12
TIMING	1360 ×768 60HZ	1280 ×1024 60HZ		
Pixel Rate	85.5MHZ	108MHZ		
H TOTAL	20.959us	15.630us		
H DISPLAY	15.906us	11.852us		
H B-Porch	2.994us	2.296us		
H Width	1.310us	1.037us		
H Border	0.000us	0.000us		
V TOTAL	16.662ms	16.661ms		
V DISPLAY	16.097ms	16.005ms		
V B-Porch	0.377ms	0.594ms		
Vs Width	0.126ms	0.047ms		
V Border	0.00ms	0.00ms		
H/V Sync	+/+	+/+		
Interlace	No.	No.		

2. VGA DDC Key In Procedure

Note:

1. Every time after replacing the main board, you have to do the DDC key in.
2. If you find the DDC does not conform to the LCD TV, you have to do the DDC key in.

2.1 Equipment Needed

- N3752W LCD TV
- DDC Card
- PC
- RS-232 cable
- Barcode Reader
- VGA Cable



N3752W LCD TV



DDC Card



PC



RS-232 Cable



VGA Cable



Barcode Reader

2.2 Setup Procedure

- 2.2.1 Connect VGA Card and DDC Card with RS-232 cable.



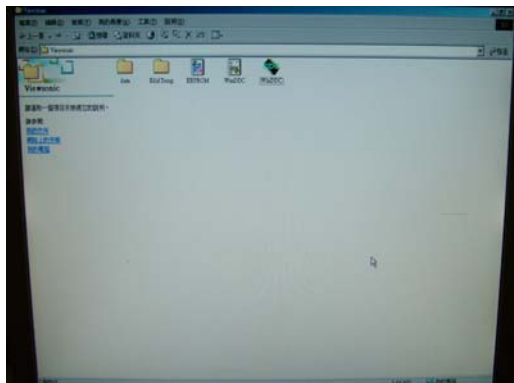
2.2.2 Barcode Reader connects with keyboard and PC keyboard port.



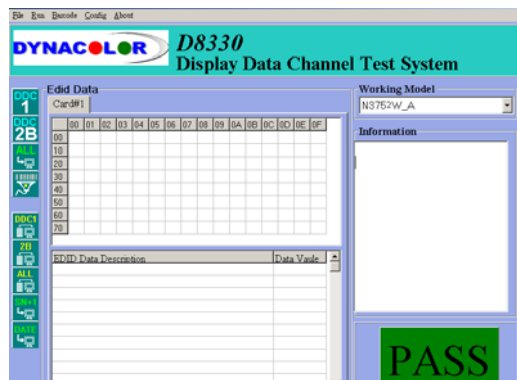
2.2.3 Connect DDC Card and N3752W LCD TV with VGA Cable.
(when key in DVI DDC information, use VGA transform to DVI port)
2.2.4 Connect Power Cord to N3752W LCD TV.

2.3 DDC Key In Procedure

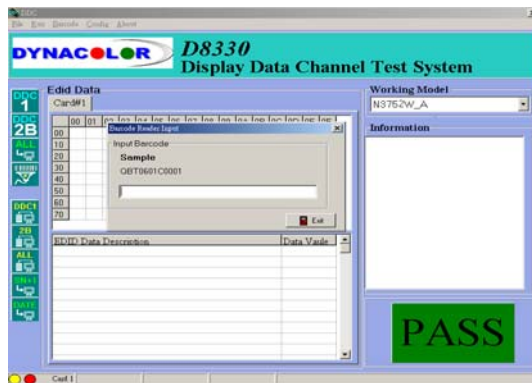
2.3.1 run DDC exe



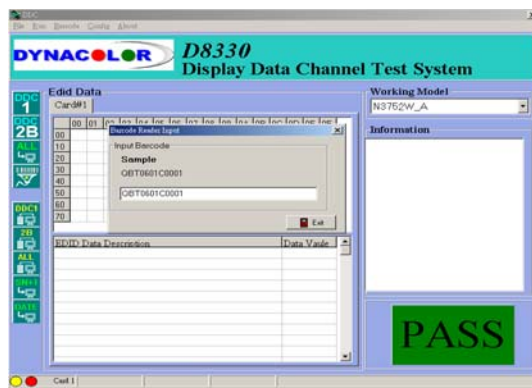
2.3.2 Choose model number then



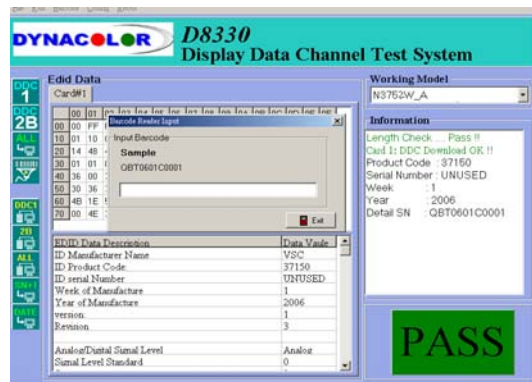
2.3.3 Press “ENTER” key.



2.3.4 Input bar code



2.3.5 Press “ENTER” key, then the successful picture is as follows. “DDC DOWNLOADED OK!”



2.3.6 Exit program.

3. HDMI DDC Key In Procedure

There are three EDID files for the different HDMI connectors. So you must be download the different EDID into each HDMI connector.

3.1 Equipment Needed

- N3752W LCD TV
- PC
- RS-232 cable
- Barcode Reader
- HDMI Cable



N3752W LCD TV



PC



RS-232 Cable



HDMI Cable



Barcode Reader

3.2 Setup Procedure

- 3.2.1 Connect HDMI Card and DDC Card with RS-232 cable.



3.2.2 Barcode Reader connects with keyboard and PC keyboard port.

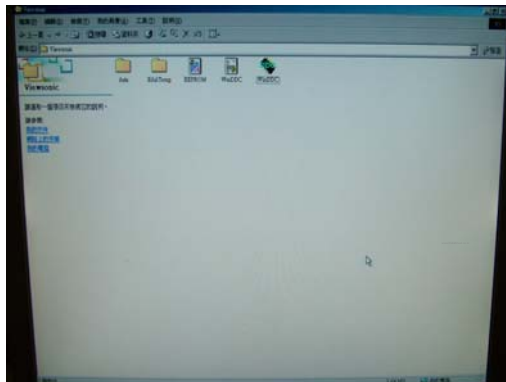


3.2.3 Connect DDC Card and N3752W LCD TV with HDMI Cable.

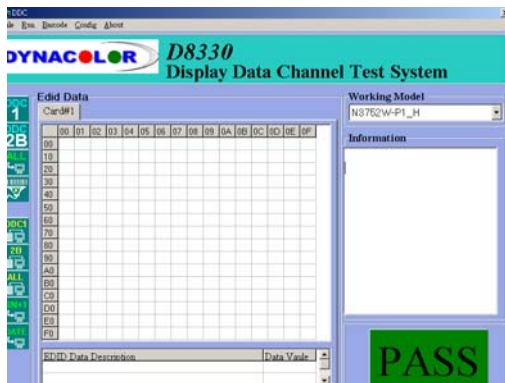
3.2.4 Connect Power Cord to N3752W LCD TV.

3.3 DDC Key In Procedure

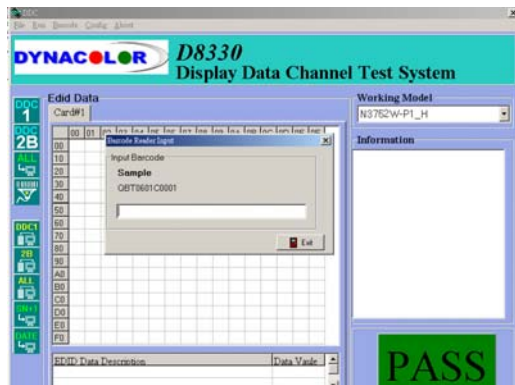
3.3.1 Run DDC.exe



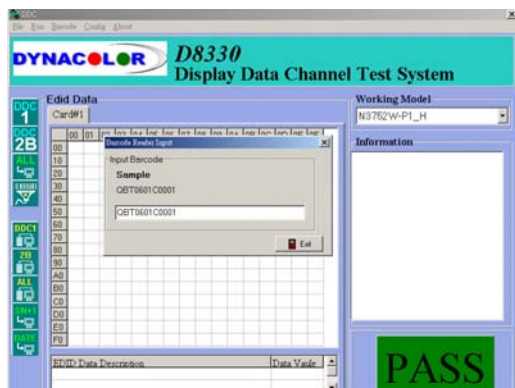
3.3.2 Choose model number then



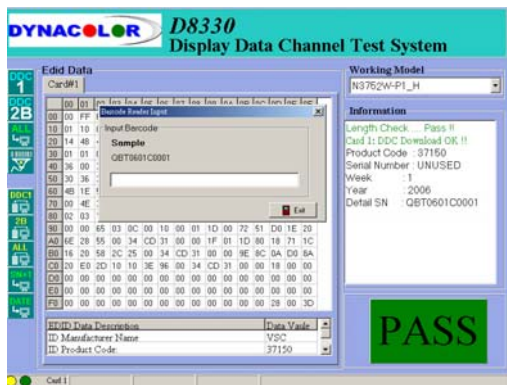
3.3.3 Press “ENTER” key.



3.3.4 Input bar code



3.3.5 Press “ENTER” key, then the successful picture is as follows. “DDC DOWNLOED OK!”



3.3.6 Exit program.

4. Firmware Upgrade Procedure

When you receive the returned LCD TV, please check whether the firmware version is the latest. If not, please do the following procedures to upgrade it to the latest version.

4.1 Equipment Needed

- N3752W LCD TV
- Fixture for Firmware Upgrade
- VGA Cable
- PC (Personal Computer)
- Firmware Upgrade Program
- One additional LCD TV for checking the program execution



N3752W



ISP FIXTURE



PC

4.2 Installing the USB device driver. The USB driver will be upgraded if necessary.



"PL-2303 Driver
Installer.exe"

4.3 Insert the USB to RS232 Download Board to PC's USB port. Then you can find the USB Device detected and follow Windows comments to finish the Driver install.

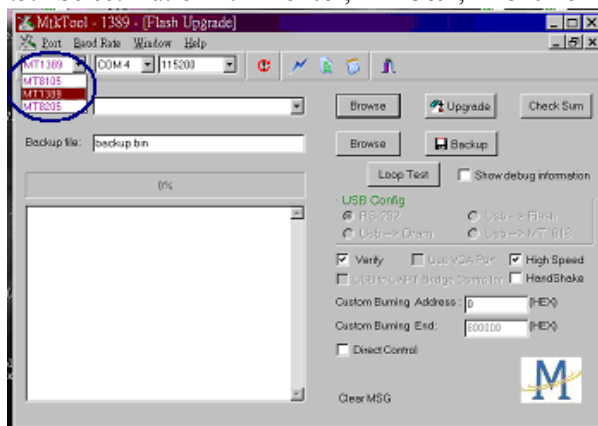
4.4 Execute the Mtktool to start download the file. The Mtktool program will be upgraded if necessary.



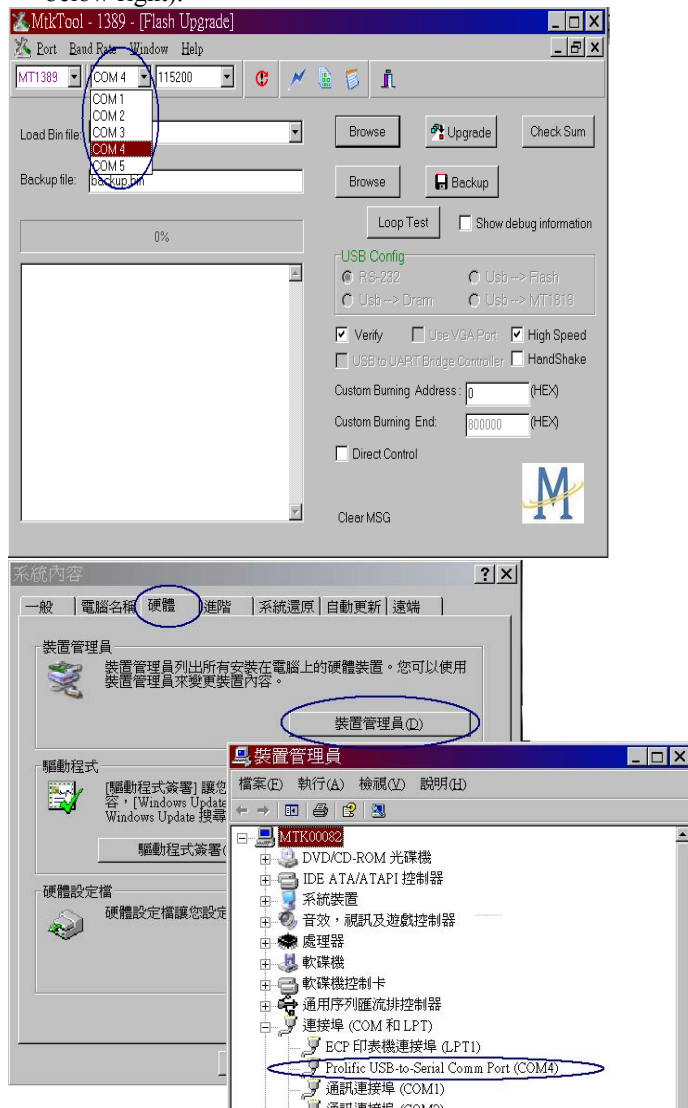
"MtkTool Auto
BaudRate.exe"

4.5 The Mtktool Operat

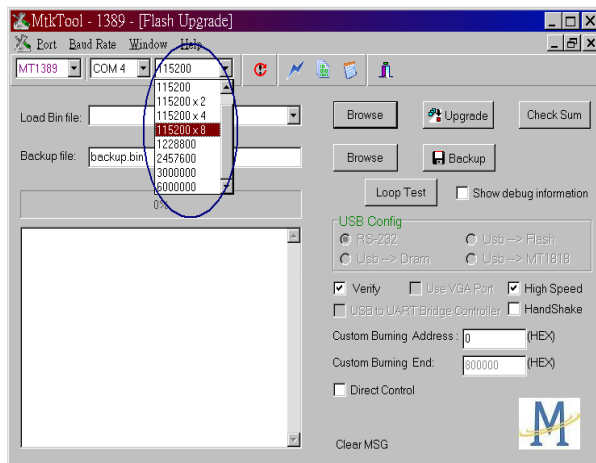
4.5.1 Select Platform : MT8105 , MT1389 ,MT8202 or MT8205.



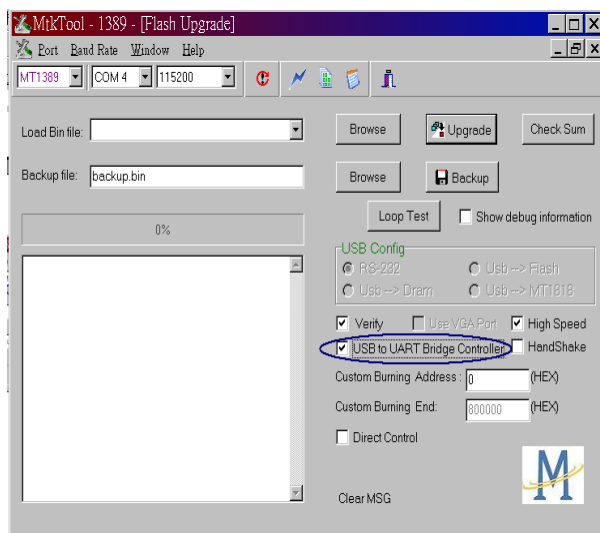
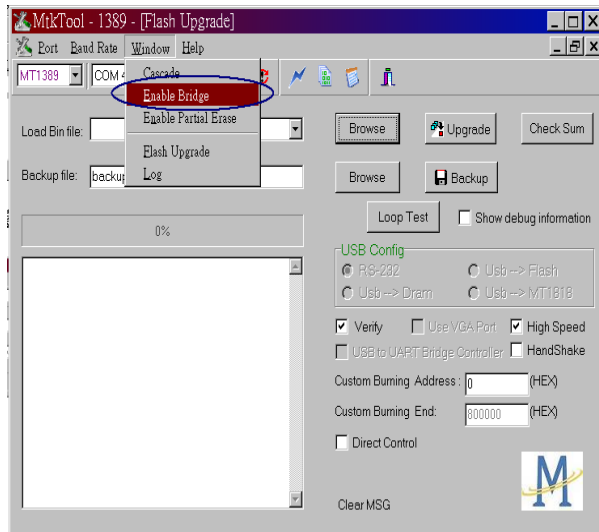
4.5.2 Select COM port. Depends on the COM port assigned in System Device Manager (Refer below right).



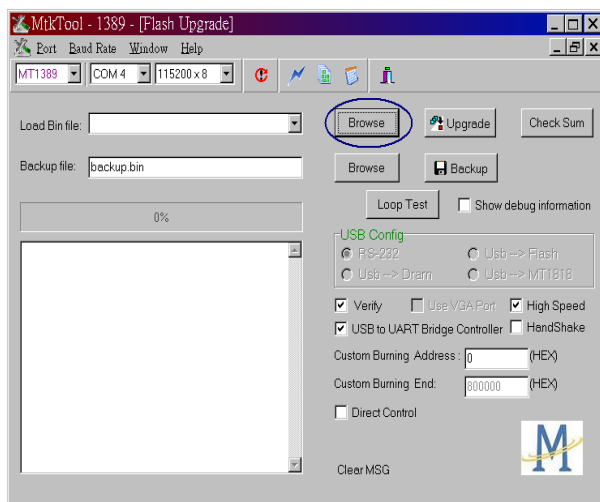
4.5.3 Select Baud Rate. 115200x 8 (Suggestion)



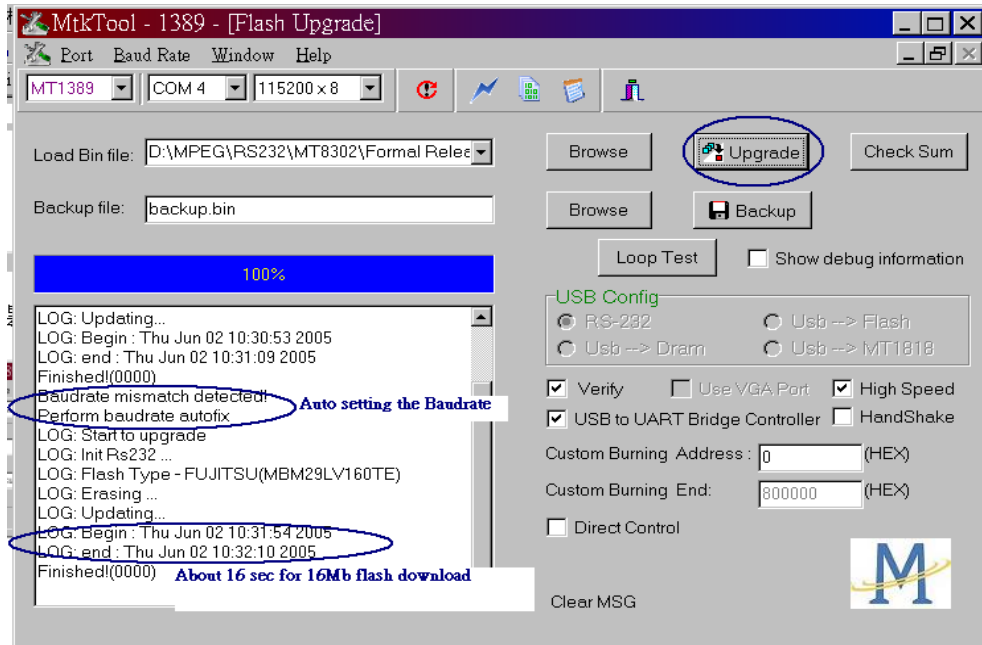
4.5.4 Enable the USB Bridge.



4.5.5 Browsing the File to download.



4.5.6 Press Upgrade to download file.



Note :

1. The Baud Rate is auto setting if mismatch found between your platform and Mtktool.
2. You can slow down the baud rate if some Flash memory can not works properly in high-speed download.
3. Please call the MediaTek contact window if any problem found like unsupported Flash Type or fail to download.

Packing For Shipping And Disassembly Procedure

Packing For Shipping

1. Packing Procedure

1.1 Paste protection film to protect the LCD TV. (Figure 1)

1.2 Put the LCD TV in the PE bag and seal the bag. (Figure 2)



Figure 1

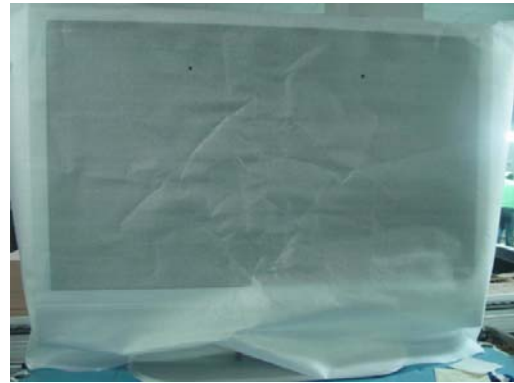


Figure 2

1.3 Put the cushions on the LCD TV. (Figure 3)

1.4 Place the LCD TV into the carton and then Put the other cushions on the LCD TV, put all the accessories into the carton. At last, close the carton and seal it with tape. (Figure 4)

1.Power Cord 2.VGA Cable 3.F/F Cable
4.RCA Cable 5.User's Guide 6.Remote contrl
7.Guarant Card 8.Battery

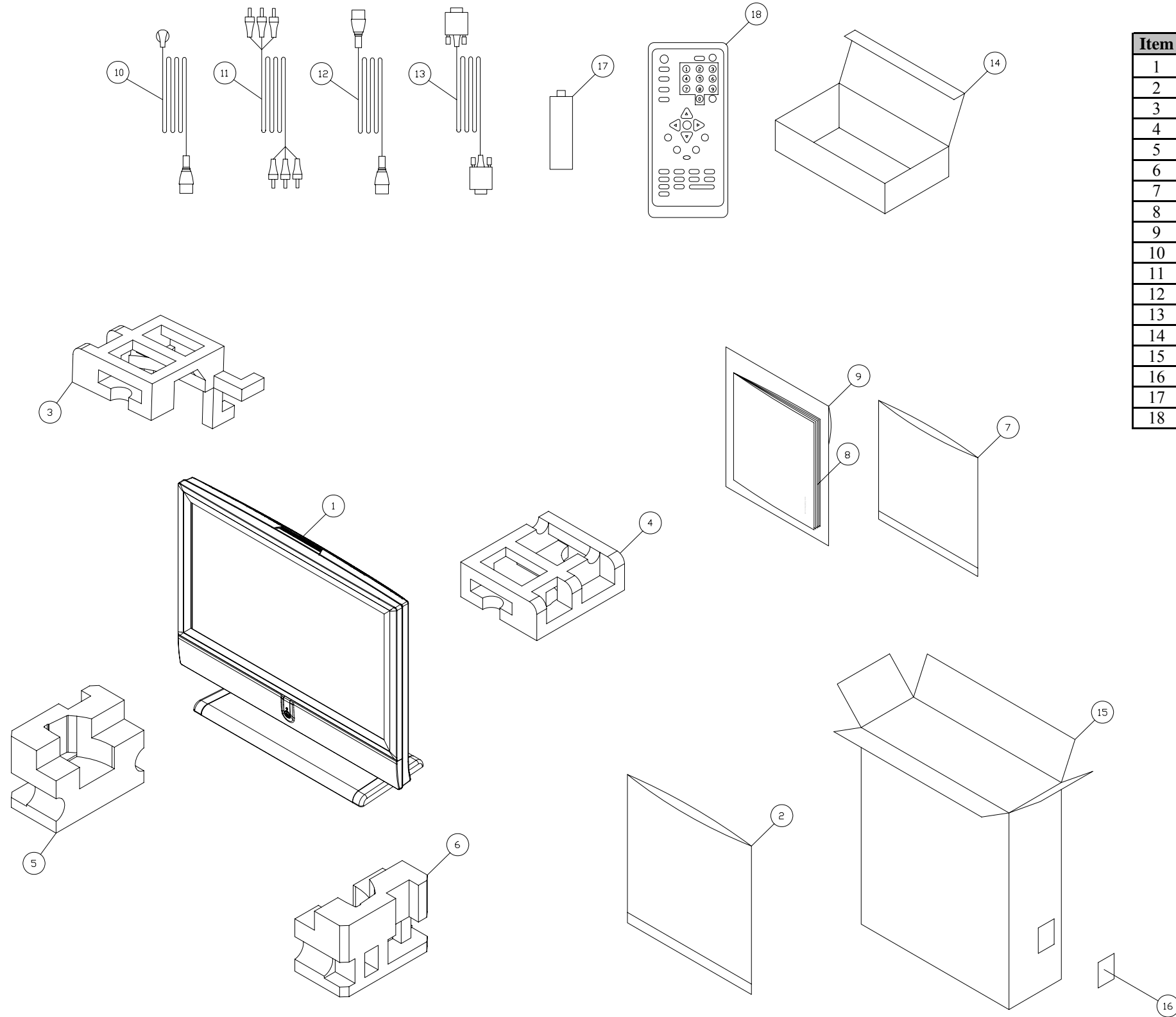


Figure 3



Figure 4

Packing for Shipping



PACKING PART LIST (N3752w-1M)

ViewSonic Model Number: VS11405-1M

Rev: 1a

Item	ViewSonic P/N	Ref. P/N	Location	Q'ty
1	N/A		N3752W monitor	1
2	P-00008063	2013054002P	POLYETHY BAG	1
3	P-00006616	2012197900P	POLYFOAM (T.L)	1
4	P-00006617	2012198000P	POLYFOAM (T.R)	1
5	P-00006618	2012198100P	POLYFOAM(B.L)	1
6	P-00006619	2012198200P	POLYFOAM(B.R)	1
7	P-00008064	2013228807P	POLYETHY BAG	1
8	DC-00008104	2001131664P	OWNER GUIDE	1
9	DC-00008105	2002310614P	GUARANT CARD(QSG)	1
10	A-00005362	2427130046P	AC POWER CORD	1
11	CB-00003425	2427701893P	RCA CABLE	1
12	N/A	2427704061P	F/F CABLE	1
13	A-VC-0101-0386	2427501187P	VGA CABLE	1
14	P-00004497	2011100017P	CARTON BOX	1
15	P-00008102	2011137020P	CARTON BOX	1
16	N/A	2055632240P	LABEL	1
17	N/A	2005100400P	BATTERY	2
18	A-00008027	2419200105P	REMOTE CONTRL	1

Disassembly Procedure

1. Disassembly of Stand and Dust Cover from LCD TV.

1.1 Unscrew 4 screws that secure Stand Unit and detach Dust Cover from the LCD TV.



Stand



Dust Cover

2. Disassembly of Rear Cover.

2.1 Unscrew 20 screws to remove Rear Cover.

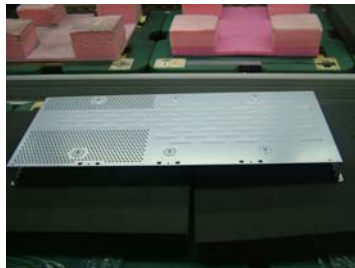
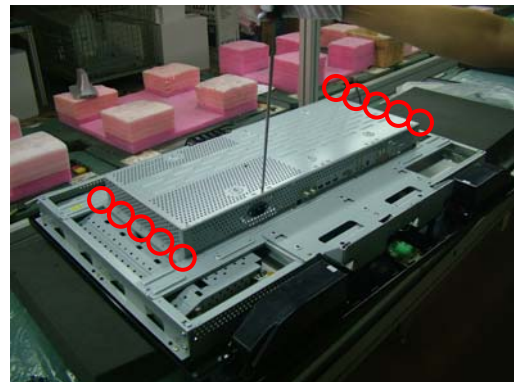




Rear Cover

3. Disassembly of Main Board,Power Board,IR Board,Speaker,Front Cover and Panel Unit.

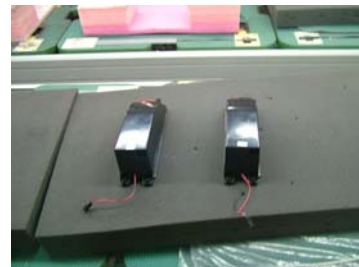
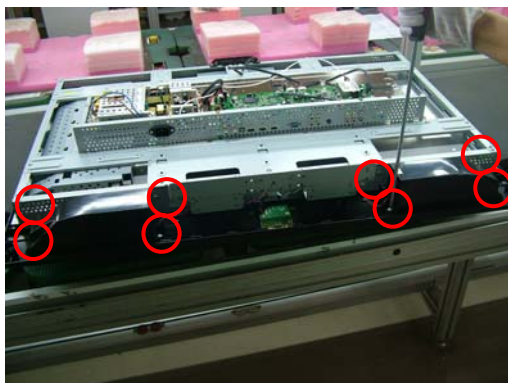
3.1 Unscrew 20 screws to remove Shield Plate.



Shield Plate



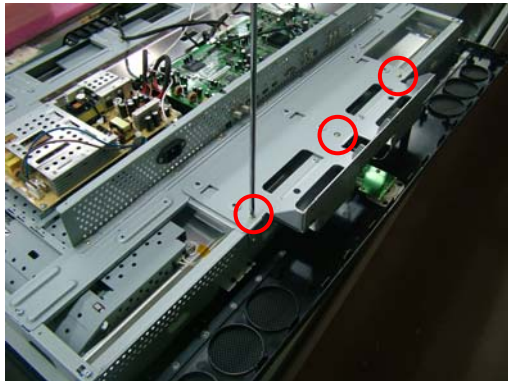
3.2. Unscrew 8 screws to remove Speaker.



Speaker

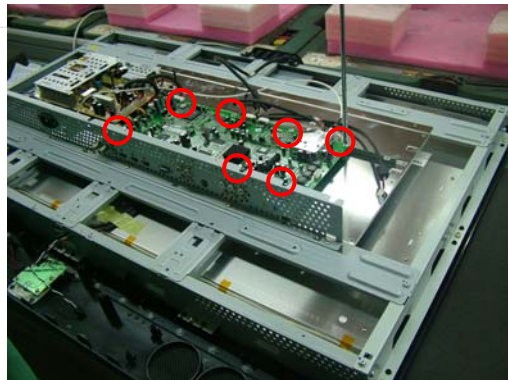


3.3. Unscrew 3 screws to remove Bracket.Fix.



Bracket,fix

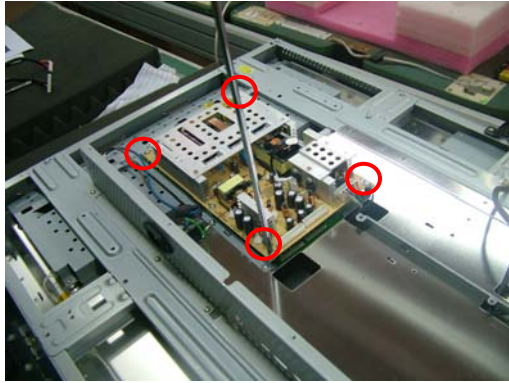
3.4. Unscrew 10 screws and disconnect the wires to remove Main Board.



Main Board



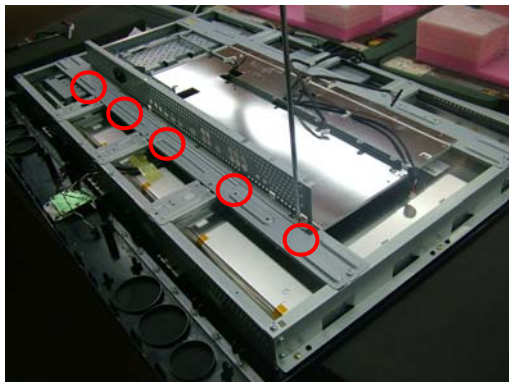
3.5. Unscrew 4 screws and disconnect the wires to remove Power Board.



Power Board



3.6. Unscrew 5 screws to remove METAL FITTG.



3.7. Unscrew 2 screws and disconnect the wires to remove KeyPad Board.



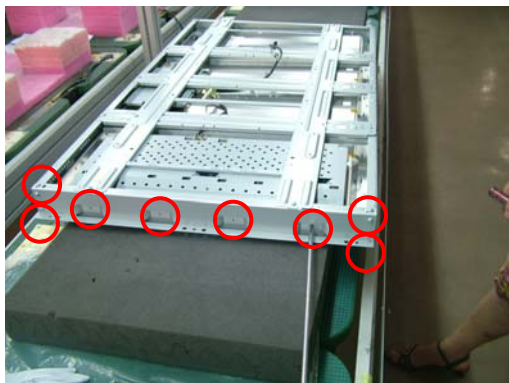
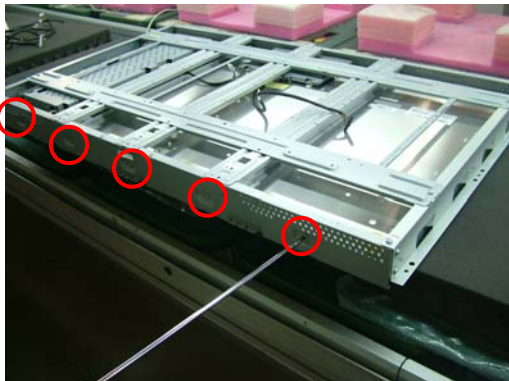
3.8. Unscrew 12 screws to remove Front Cover.



Front Cover



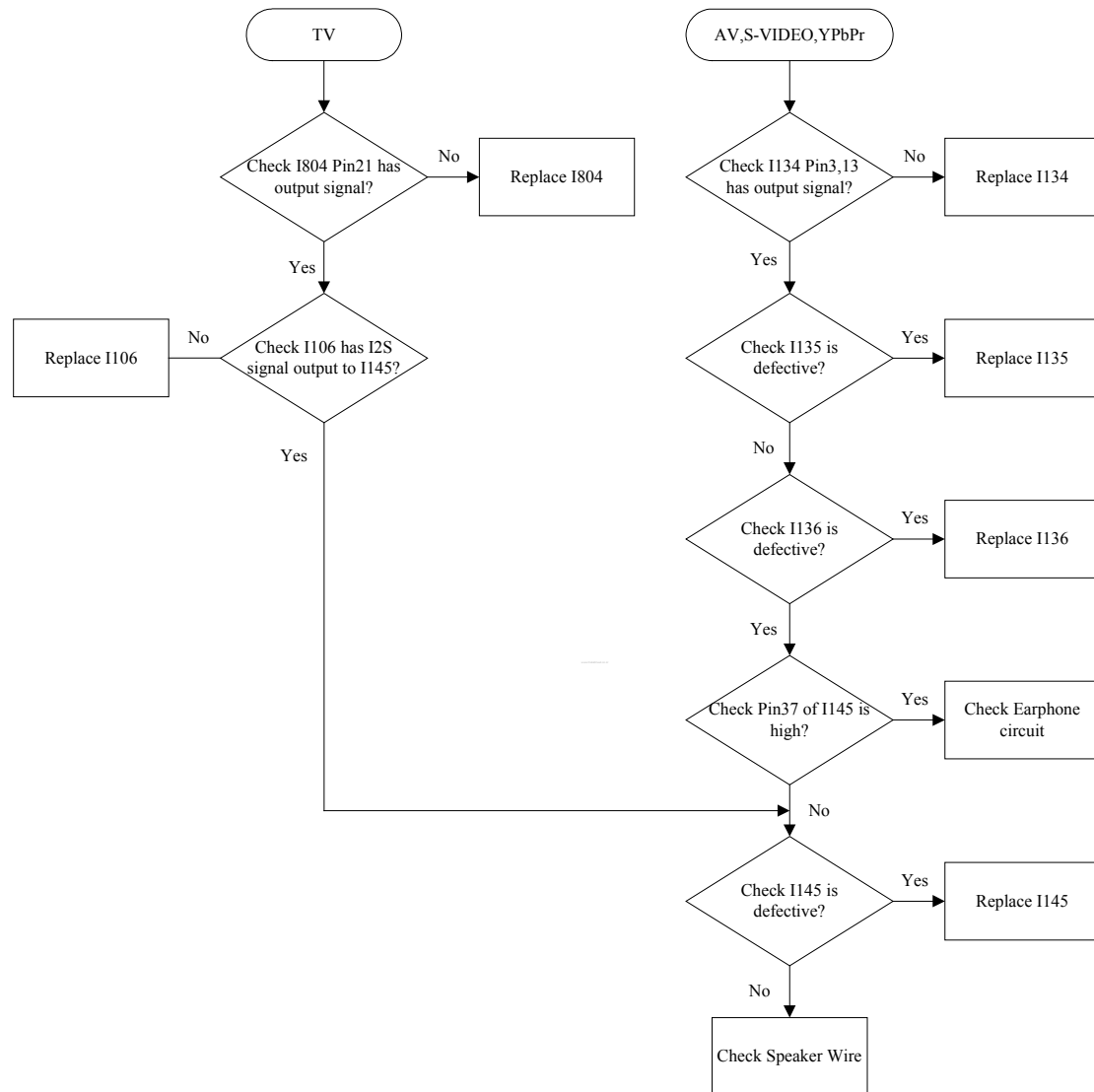
3.9. Lay Panel Unit facedown and unscrew 26 screws on its right, left, up and down sides, to remove Panel Bracket.



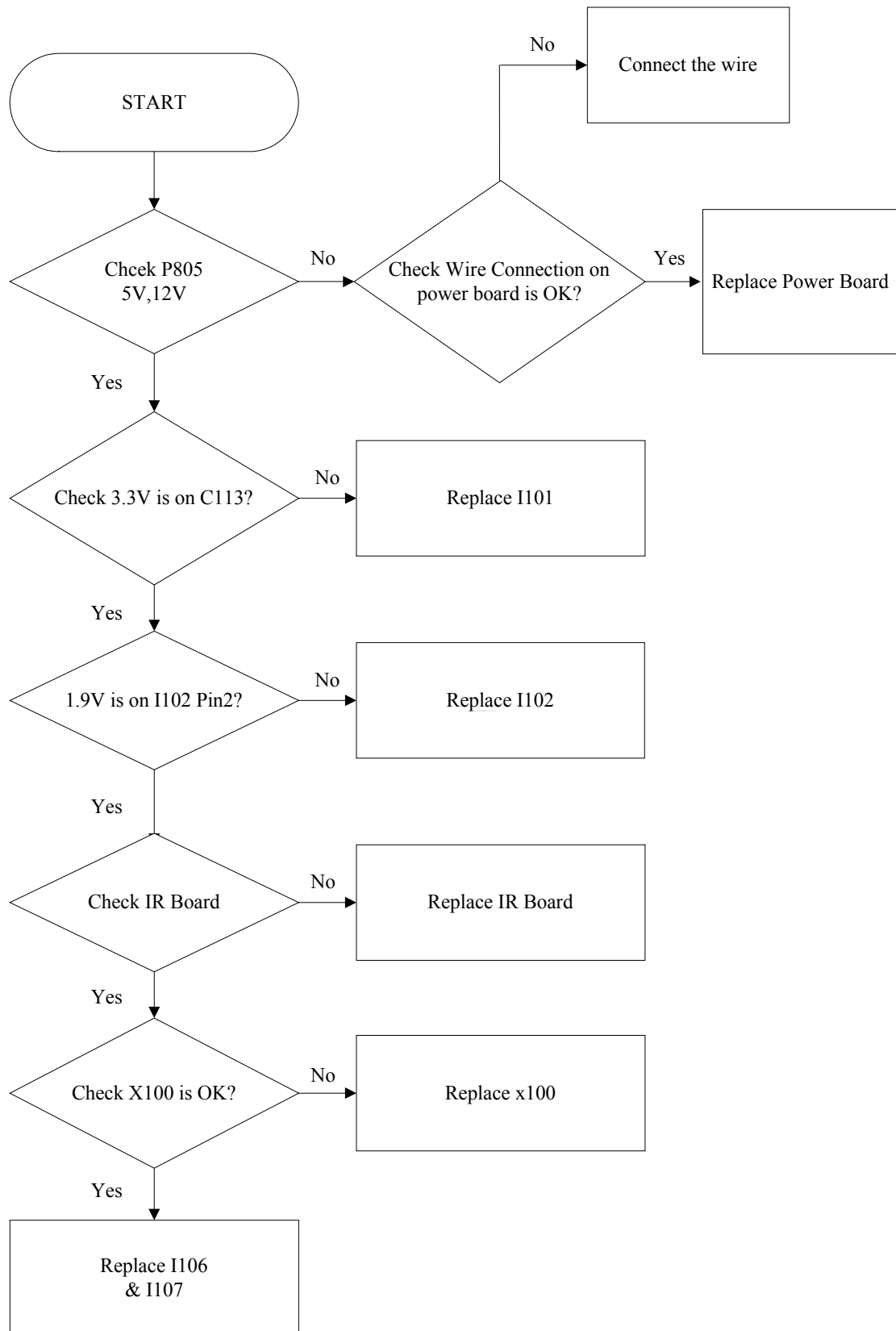
Panel

6. Trouble Shooting Flow Chart

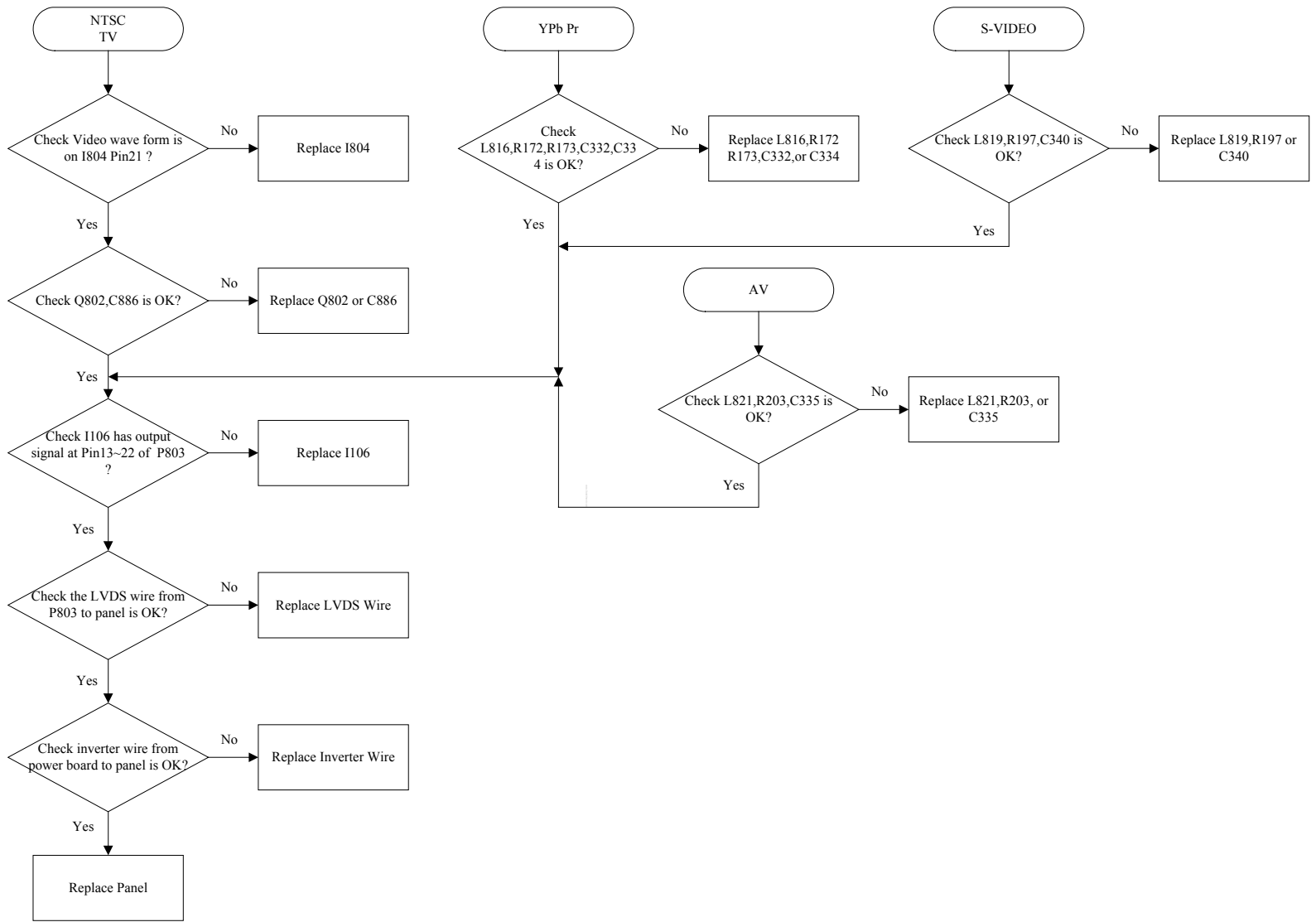
6.1. NO VOICE

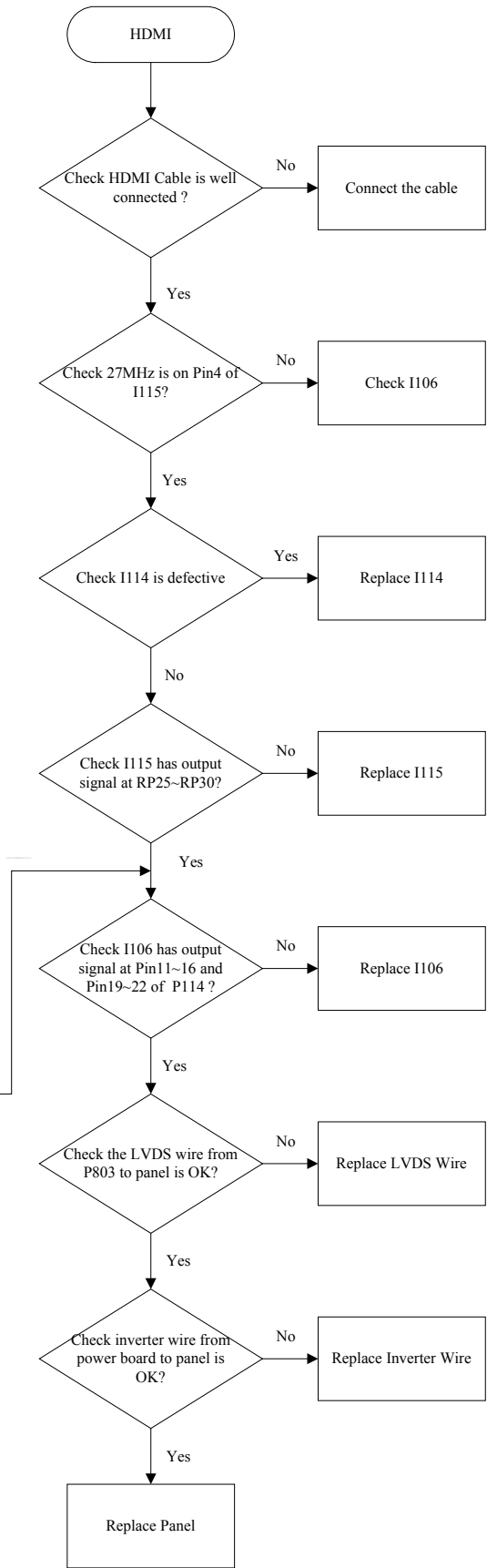
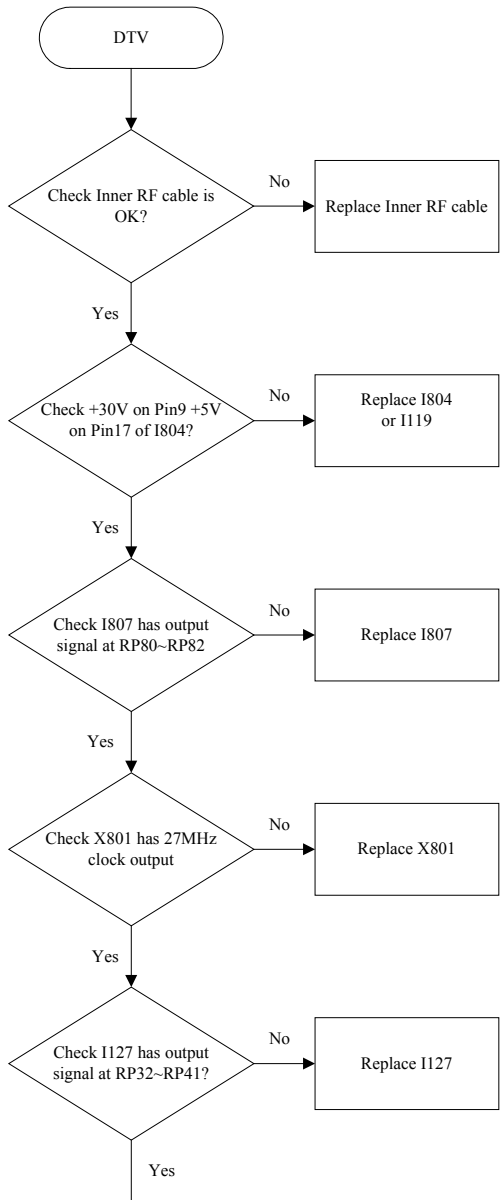


6.2. NO POWER

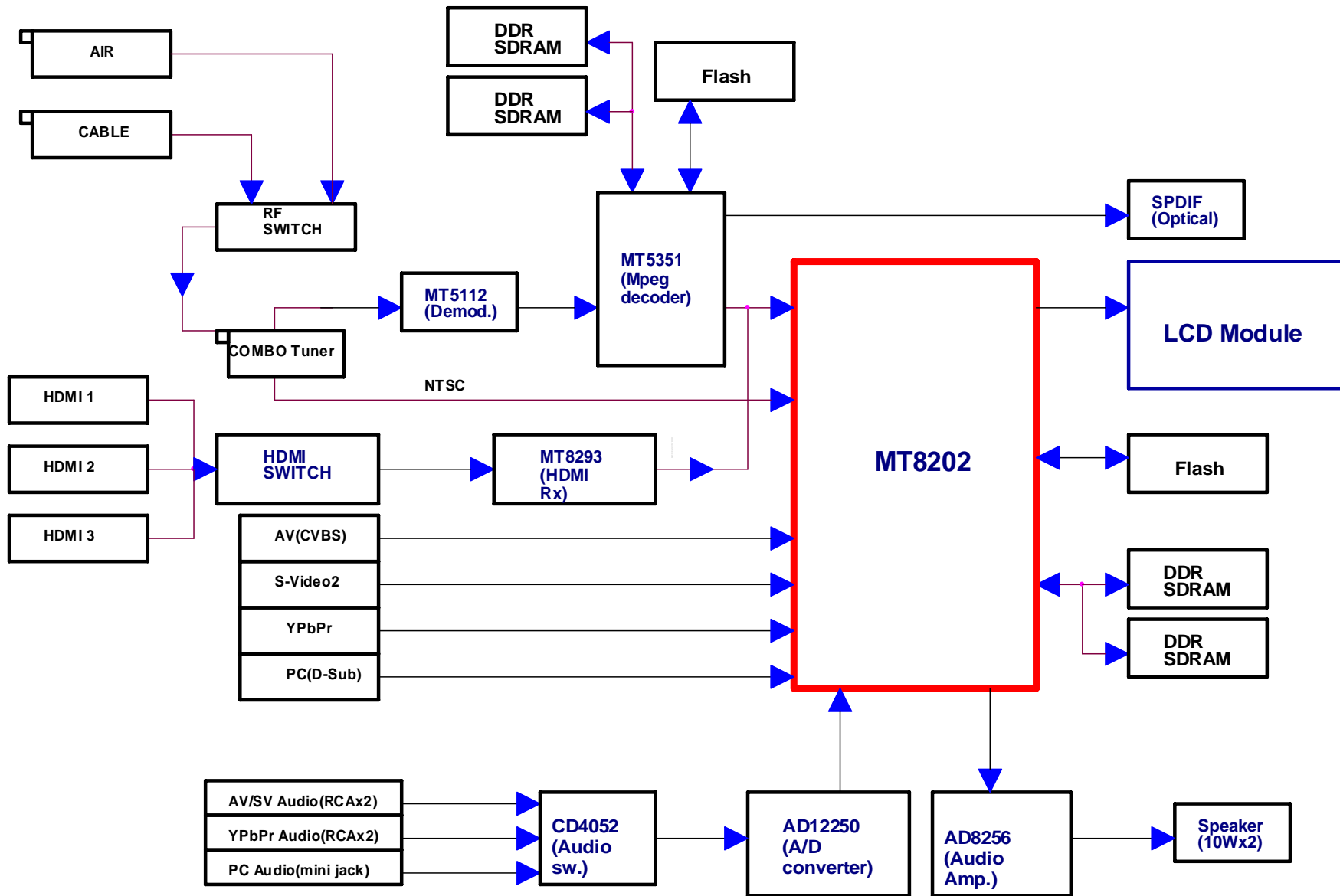


6.3. NO DISPLAY



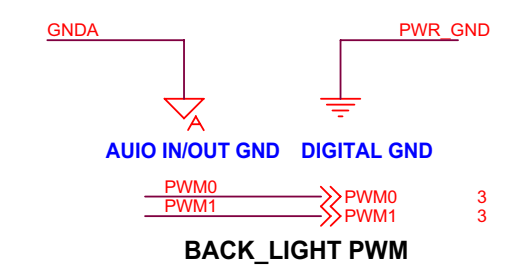
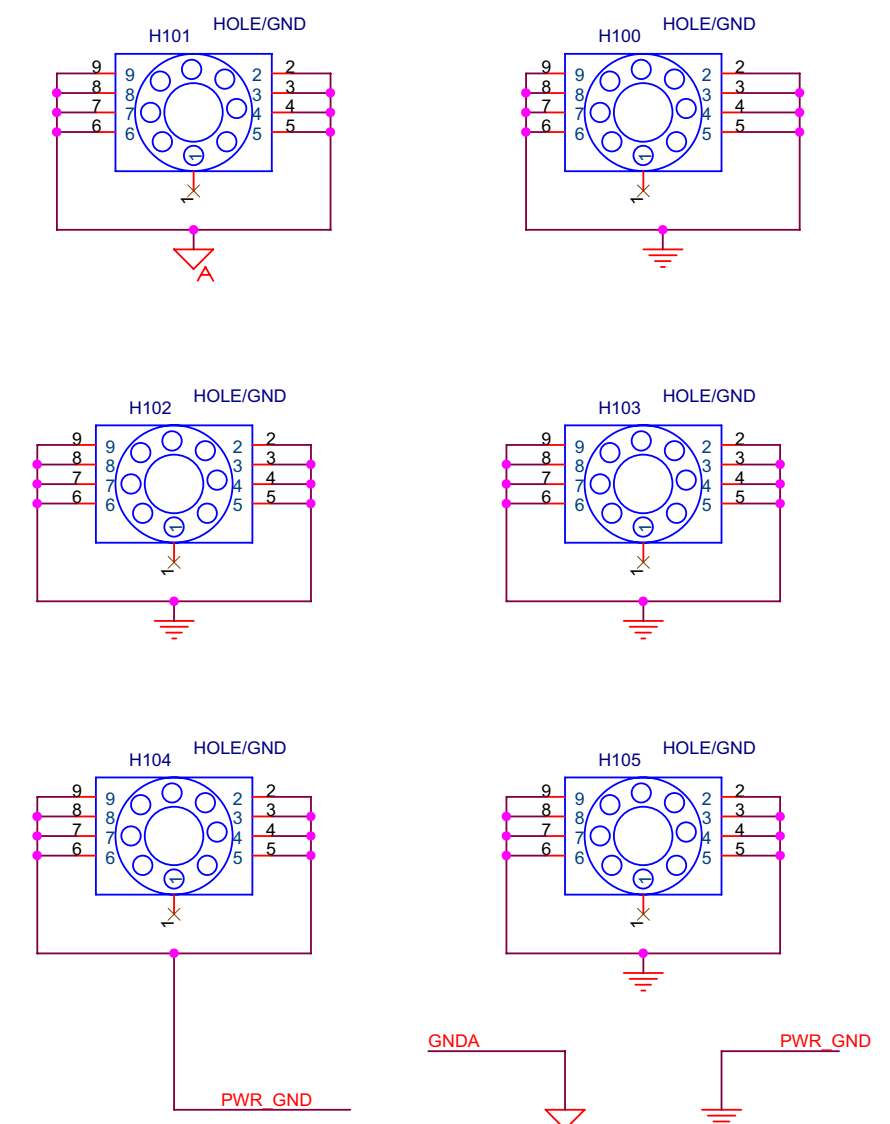
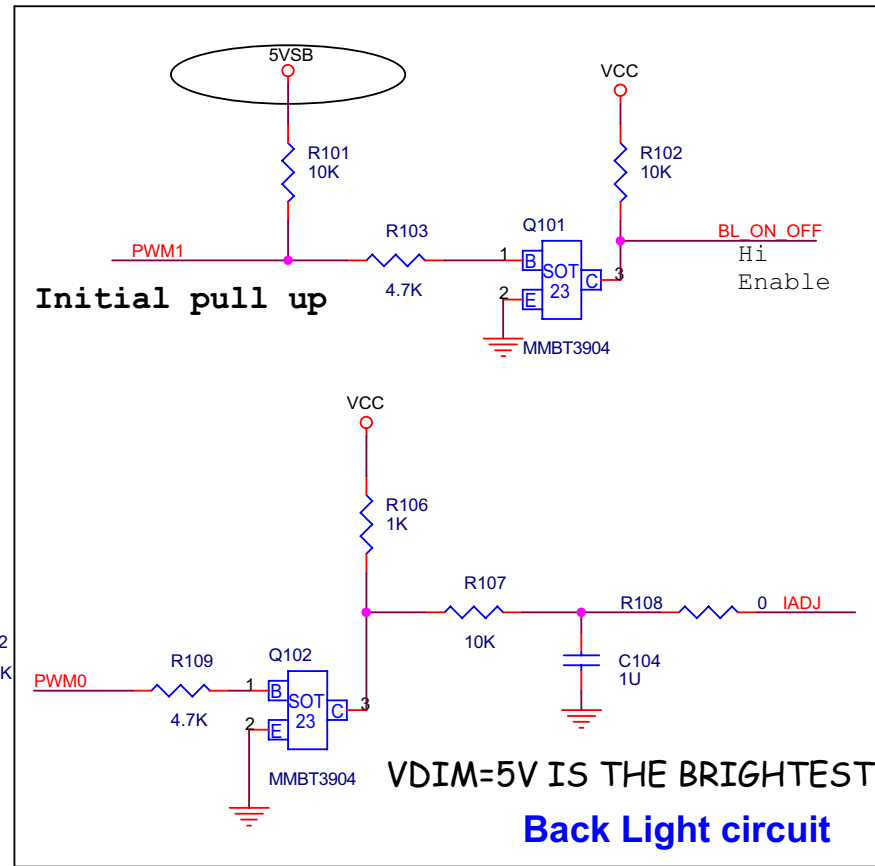
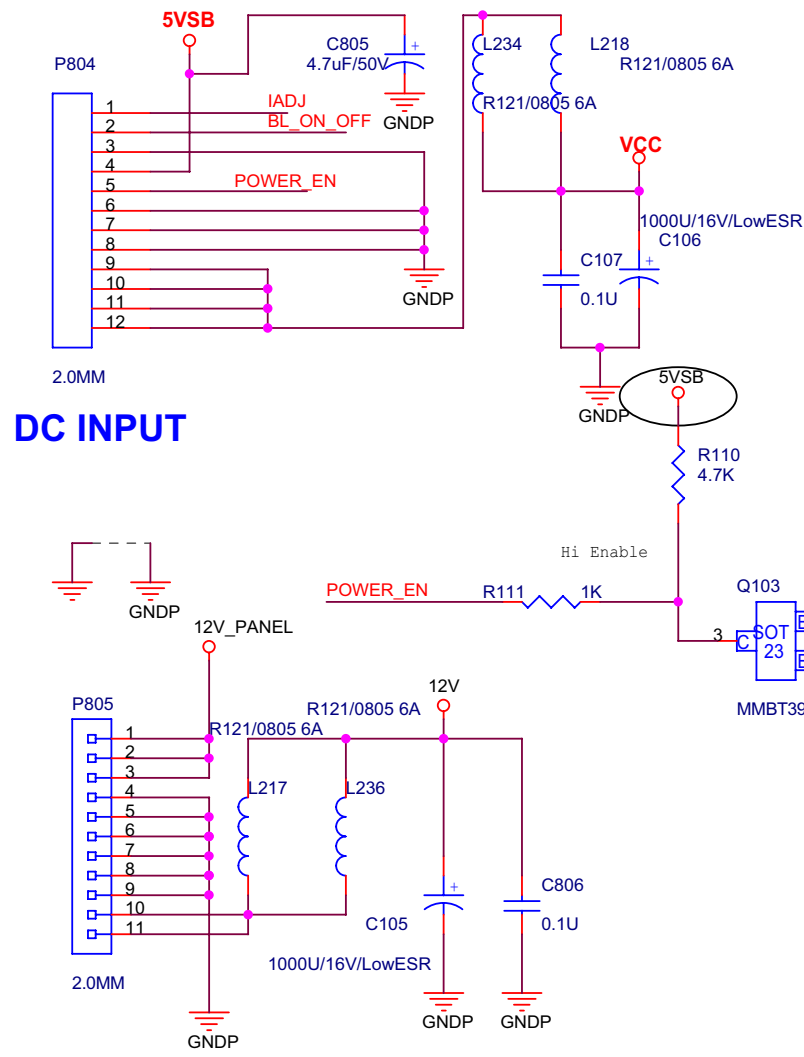


7. Block Diagram



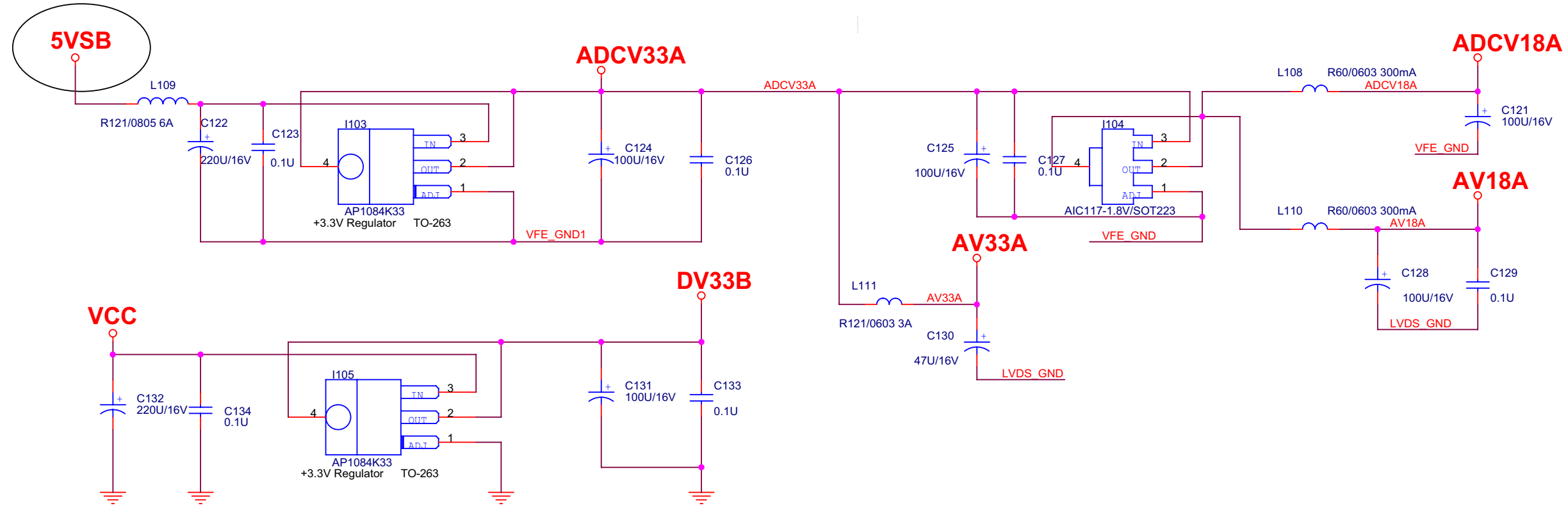
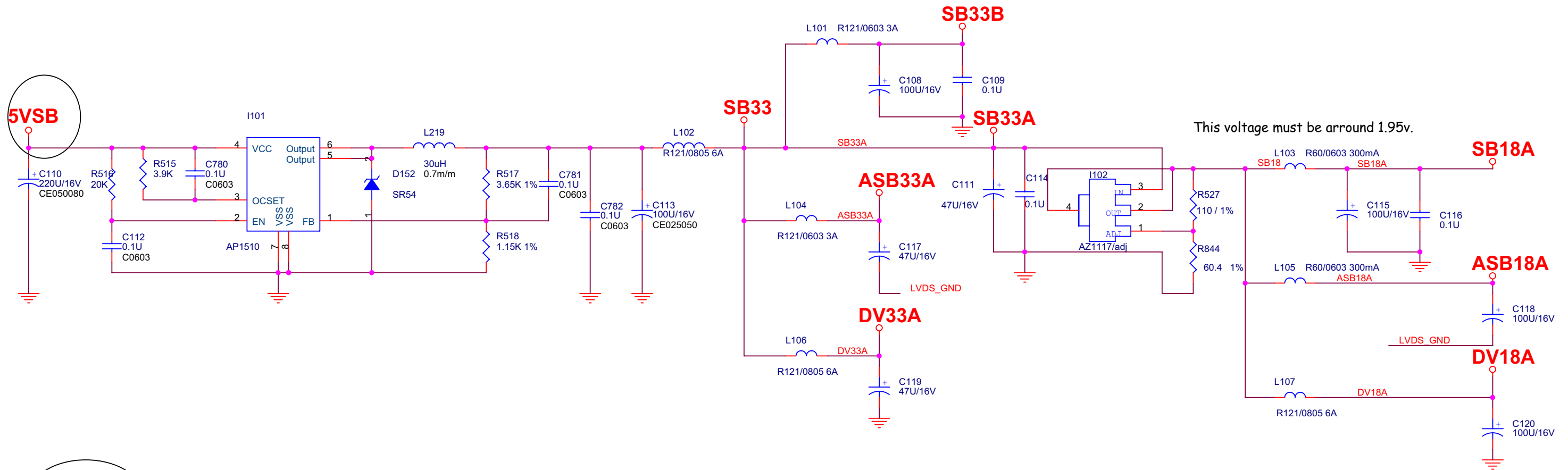
8. Schematic Diagrams

8.1. DC POWER



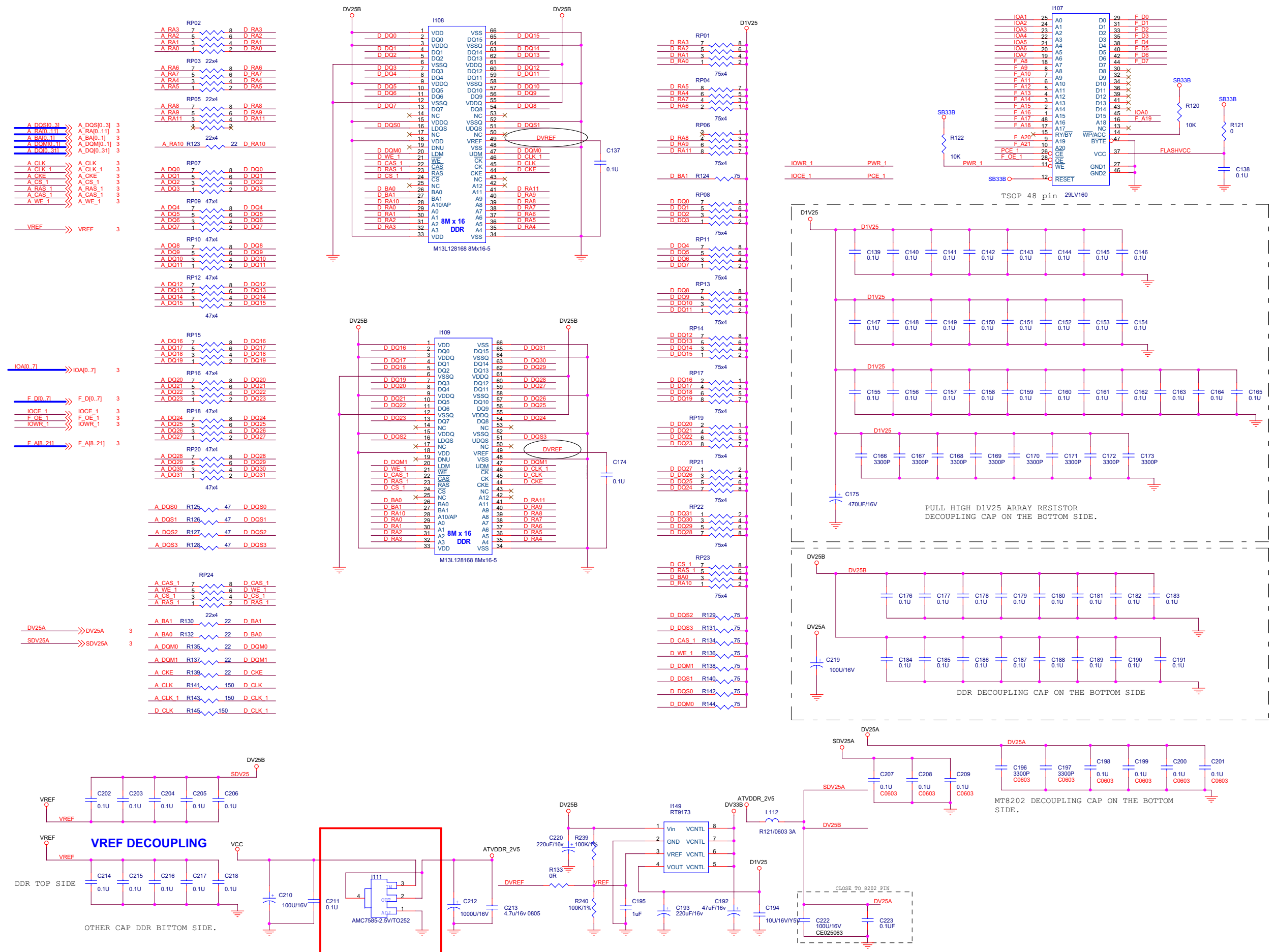
TURN OFF SIGNALS

8.2. DC TO DC

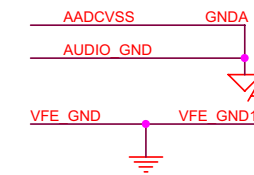
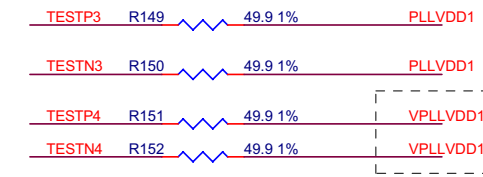
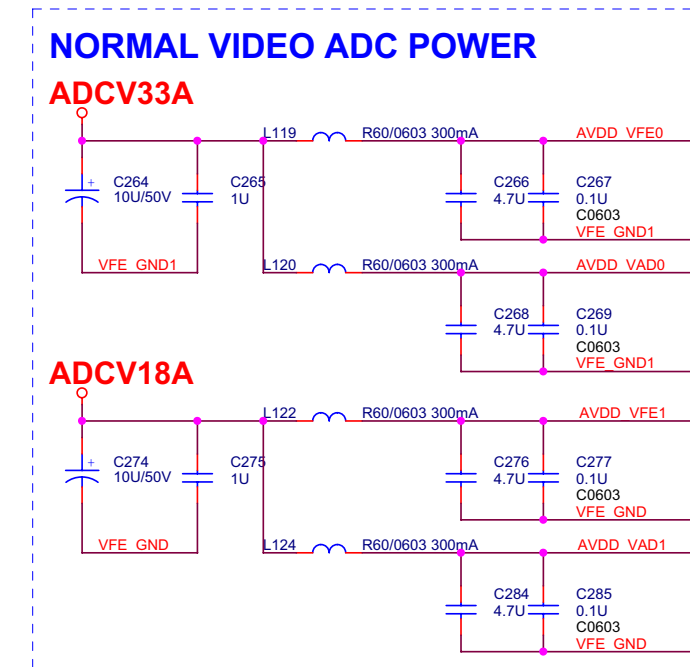
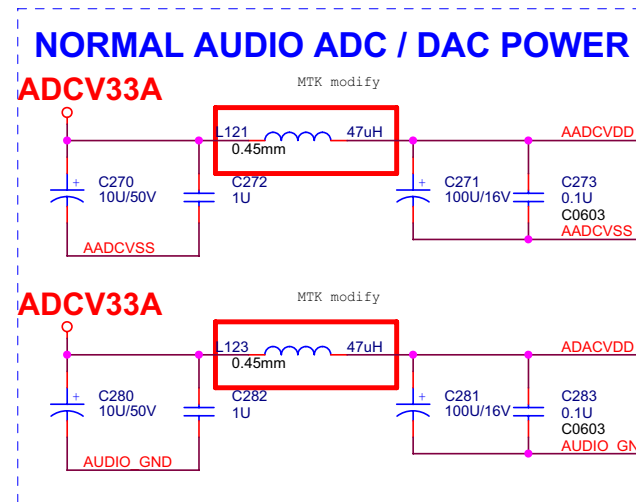
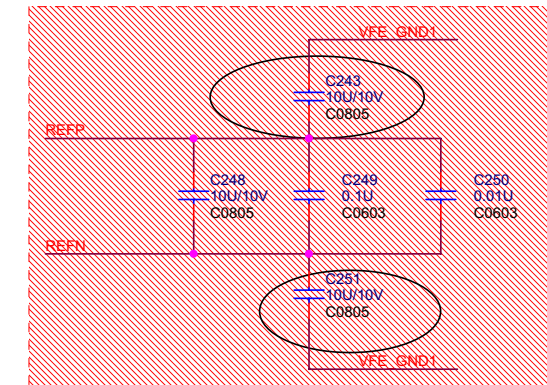
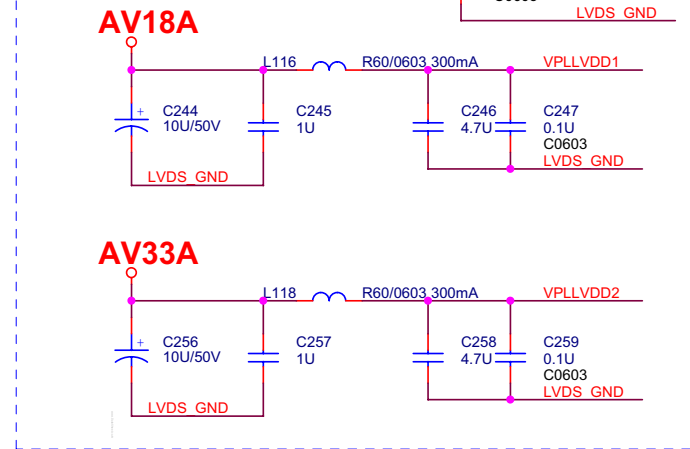
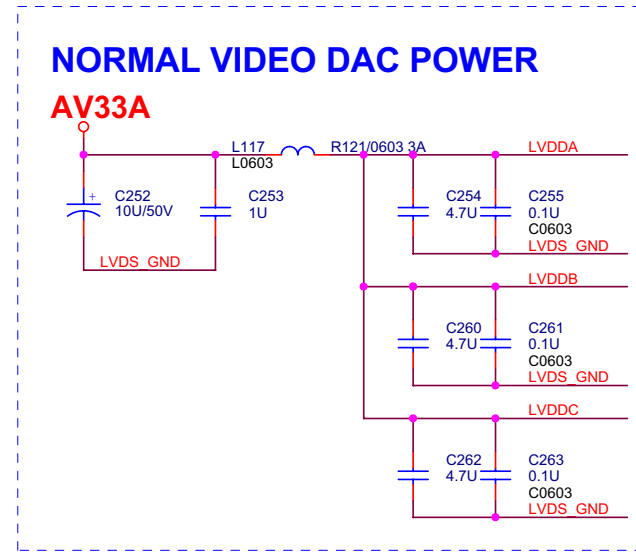
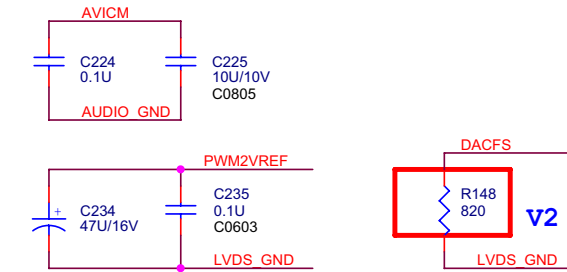
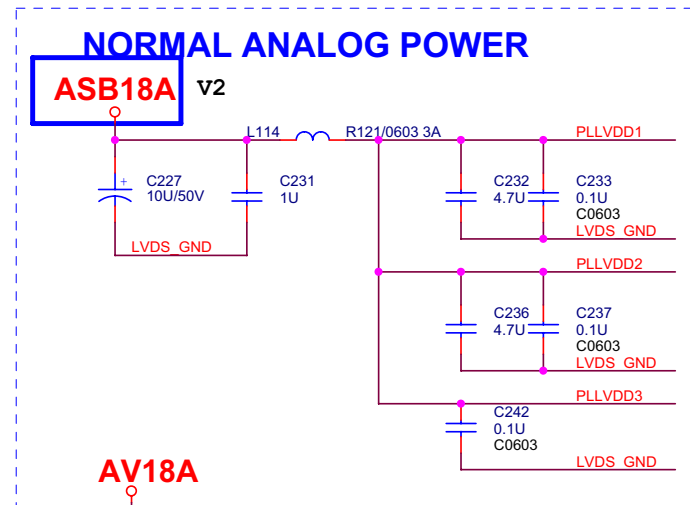
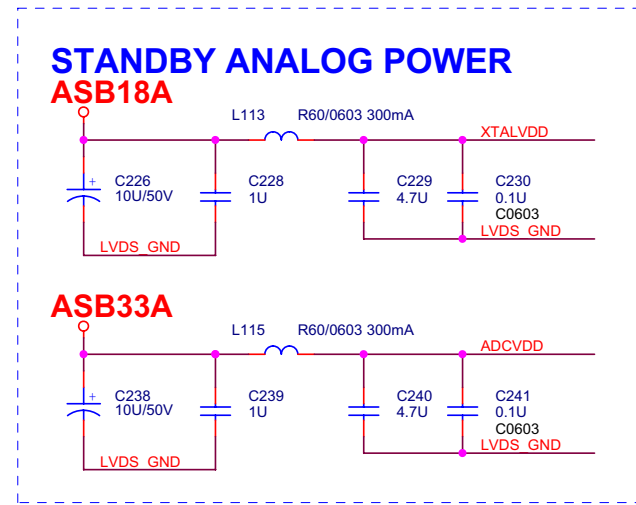
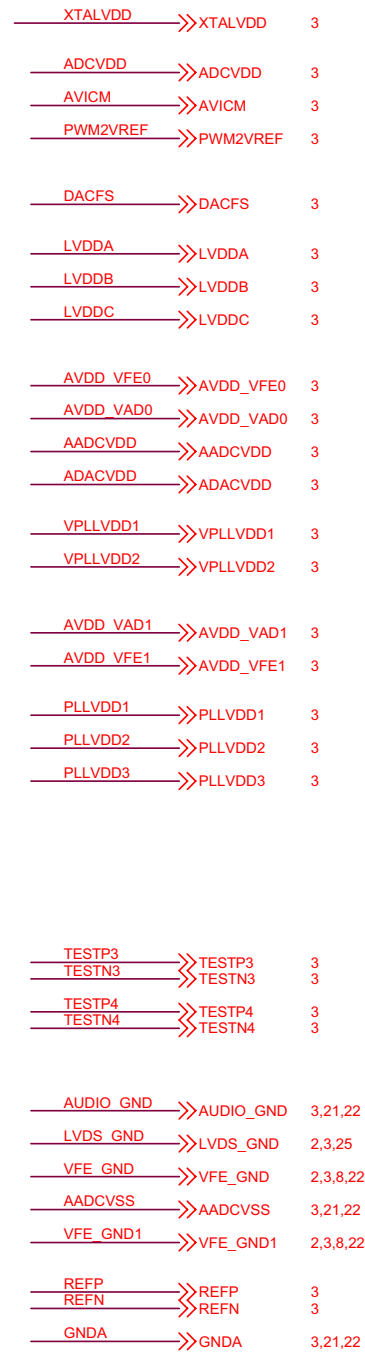


LVDS_GND	>>>LVDS_GND	3,5,25
VFE_GND	>>>VFE_GND	3,5,8,22
VFE_GND1	>>>VFE_GND1	3,5,8,22

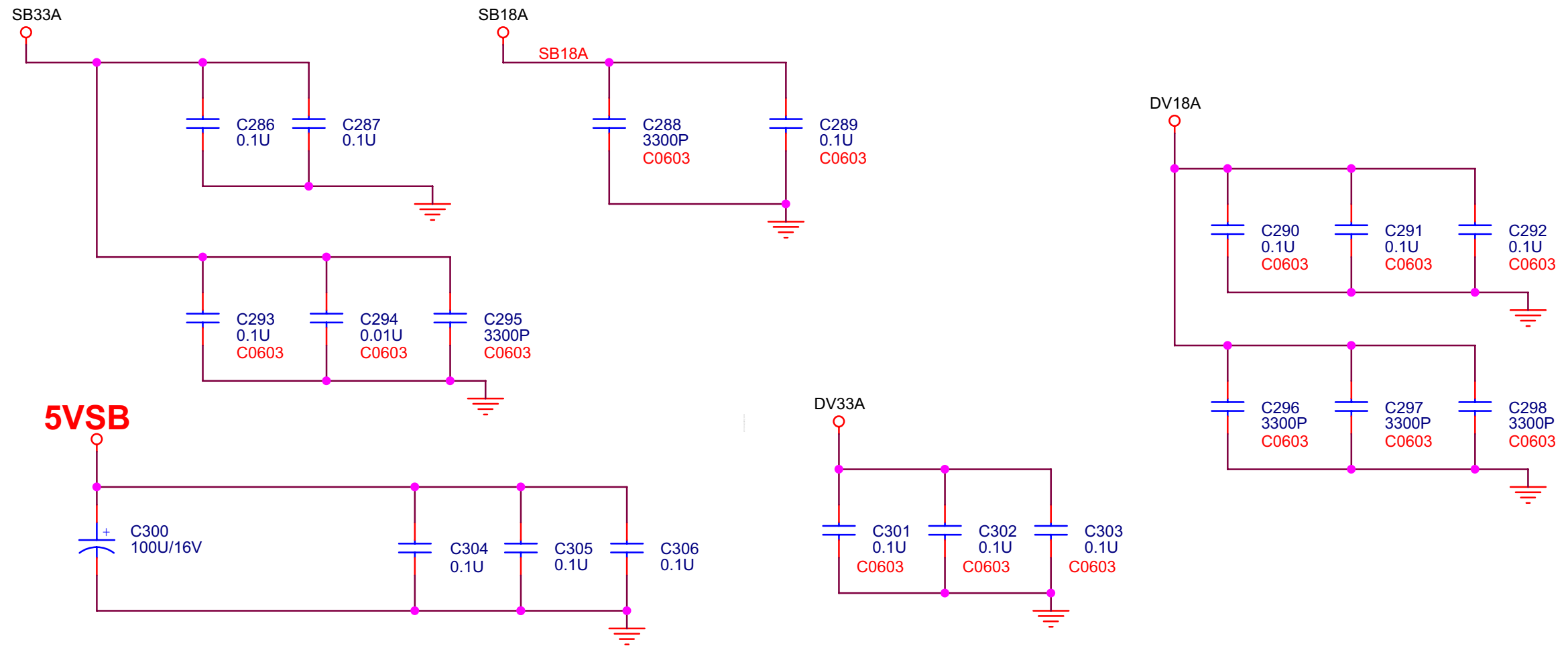
8.4. MT8202 DDR MEMORY & FLASH



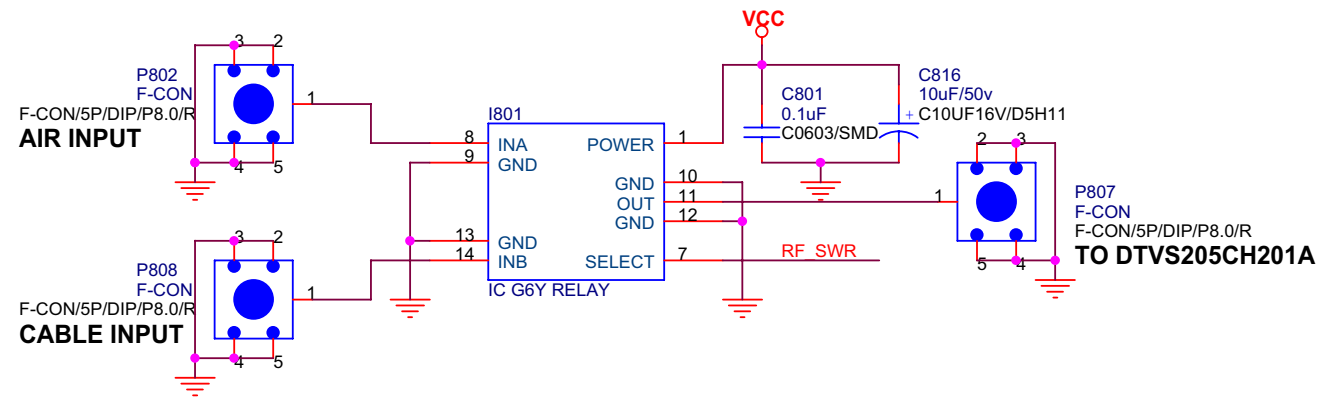
8.5. MT8202 ANALOG DECOUPLING



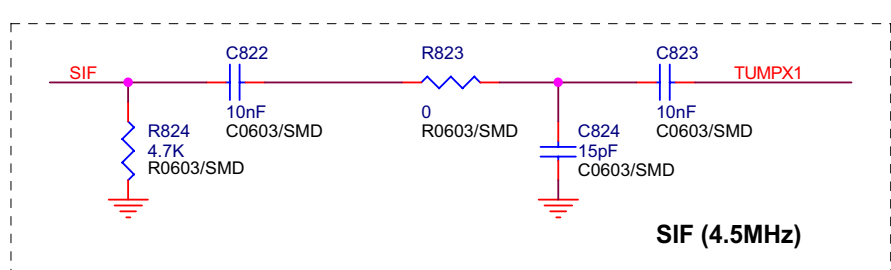
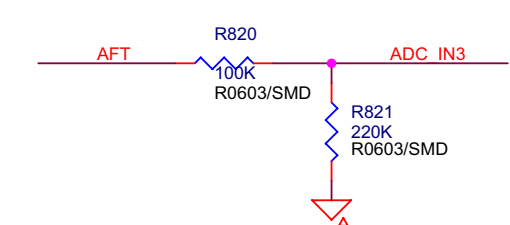
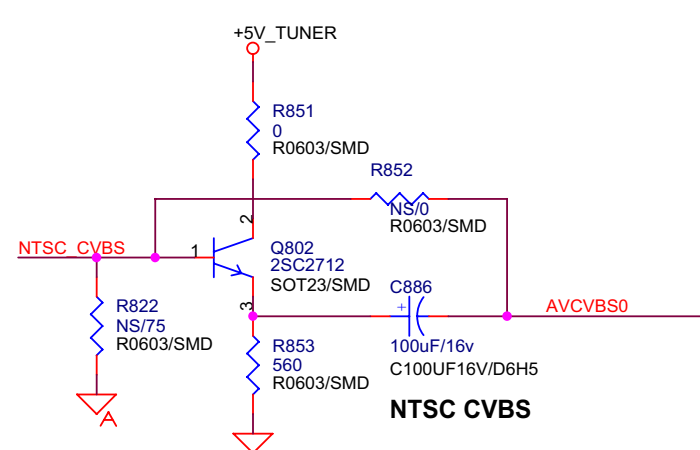
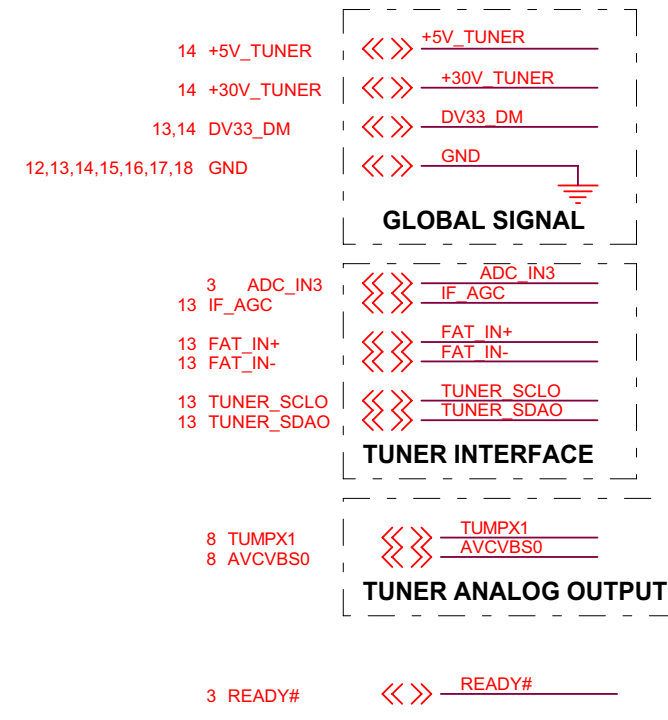
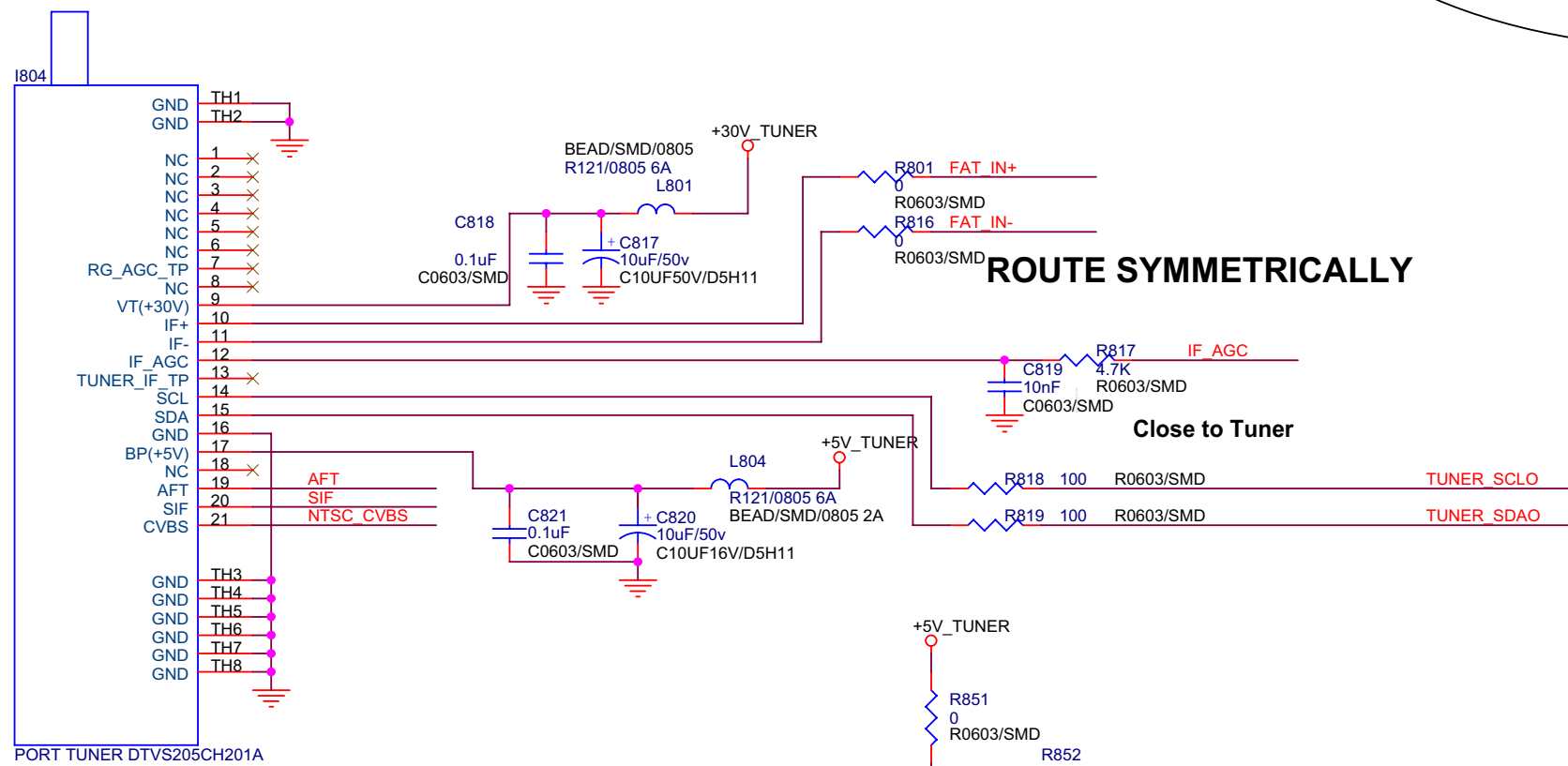
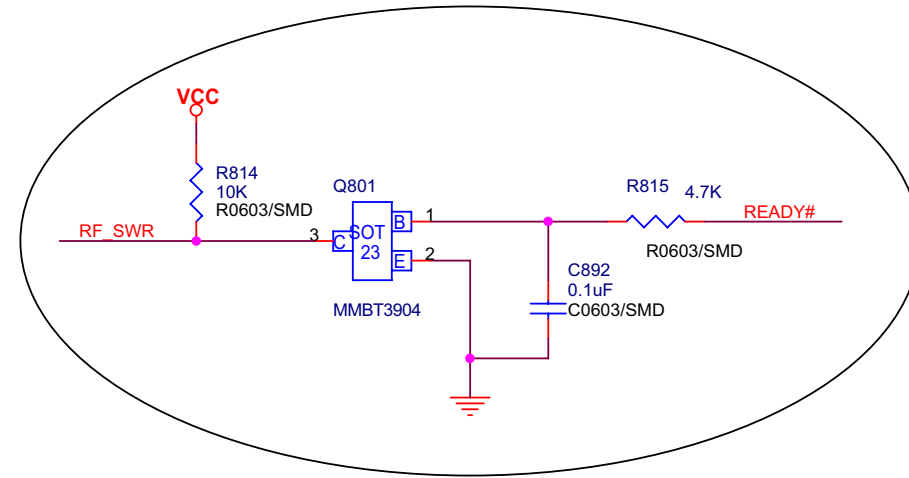
MT8202 DIGITAL POWER & DECOUPLING



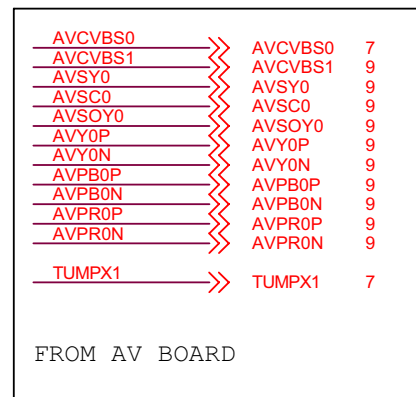
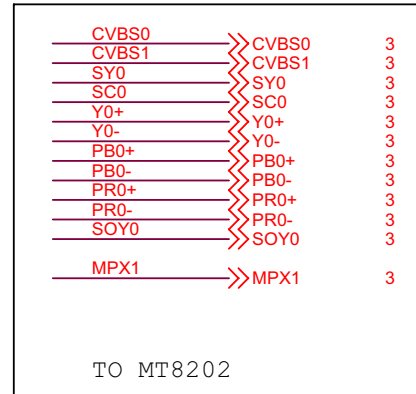
8.7. COMBO TUNER



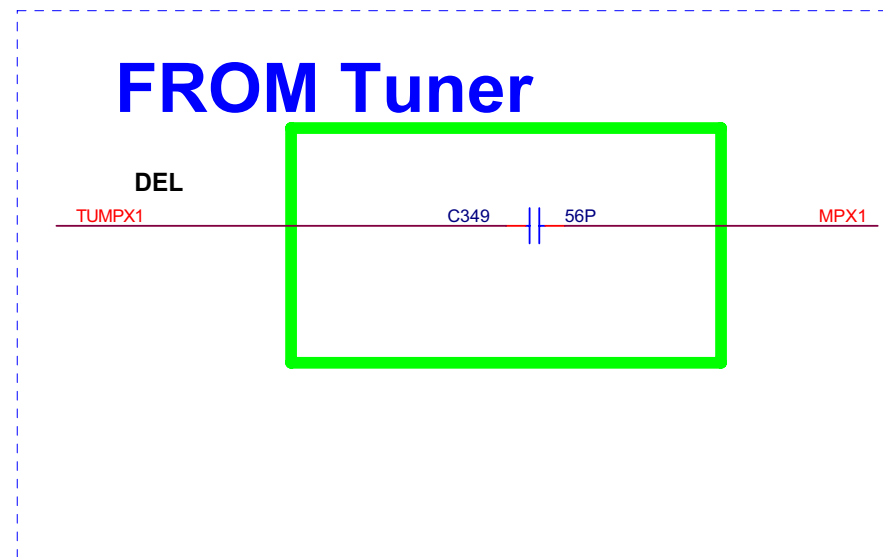
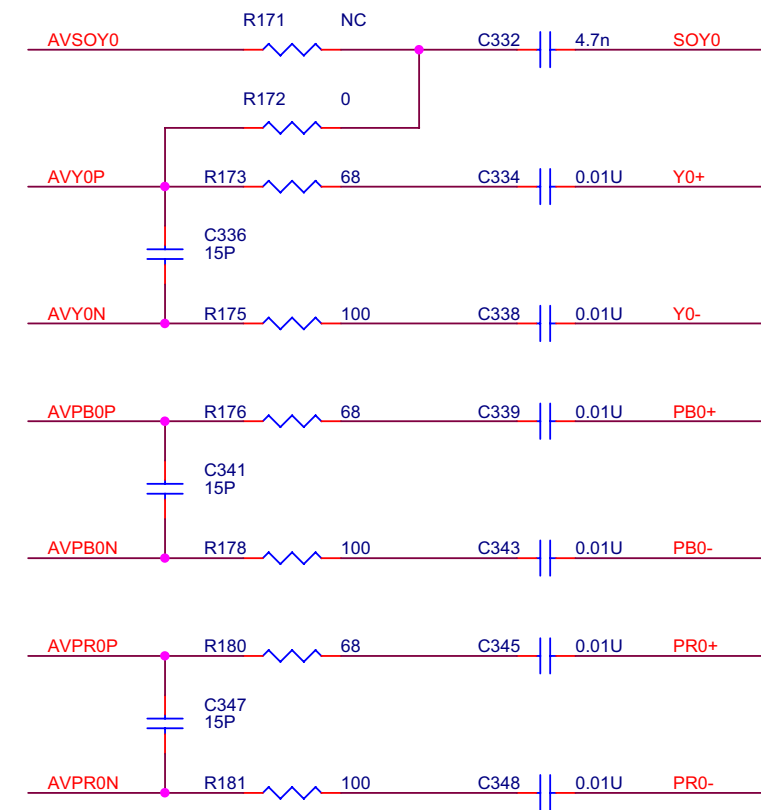
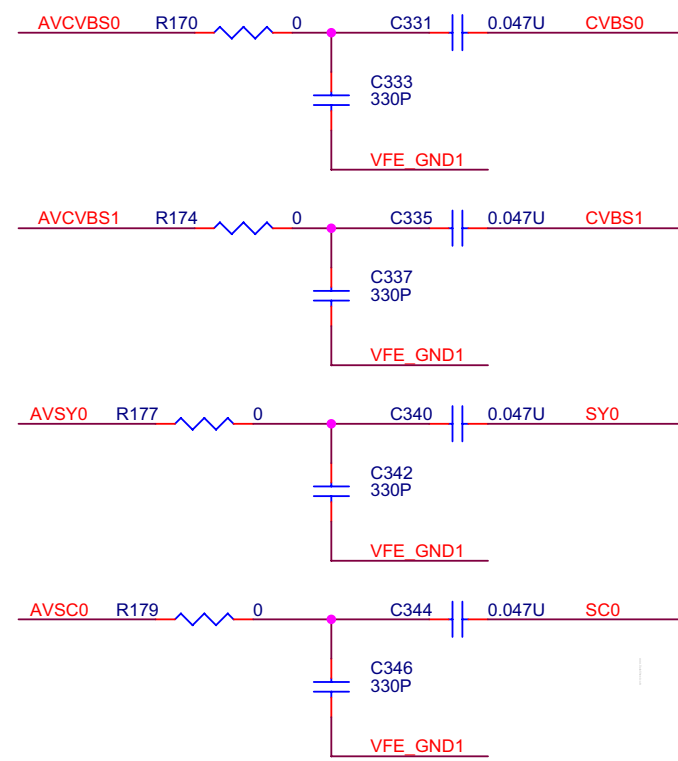
RF_SWR Hi >>> CABLE INPUT



8.8. AUDIO/VIDEO IN CIRCUIT

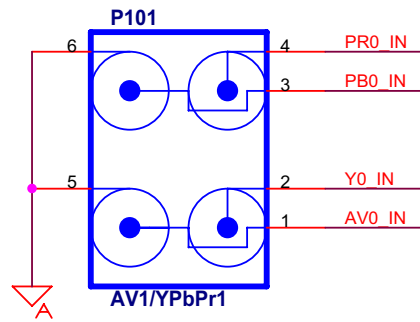


THIS PAGE NEARLY IC

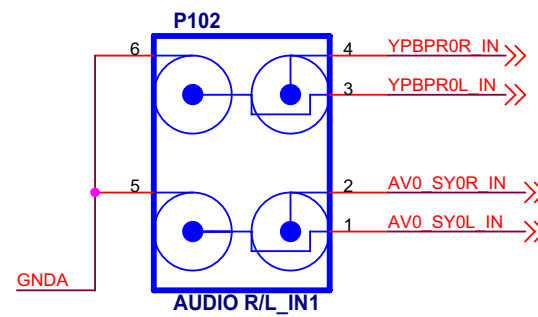


8.9. INPUT SOURCE

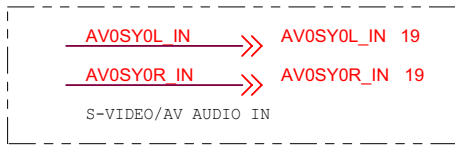
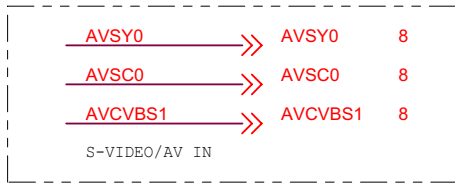
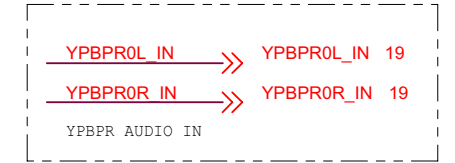
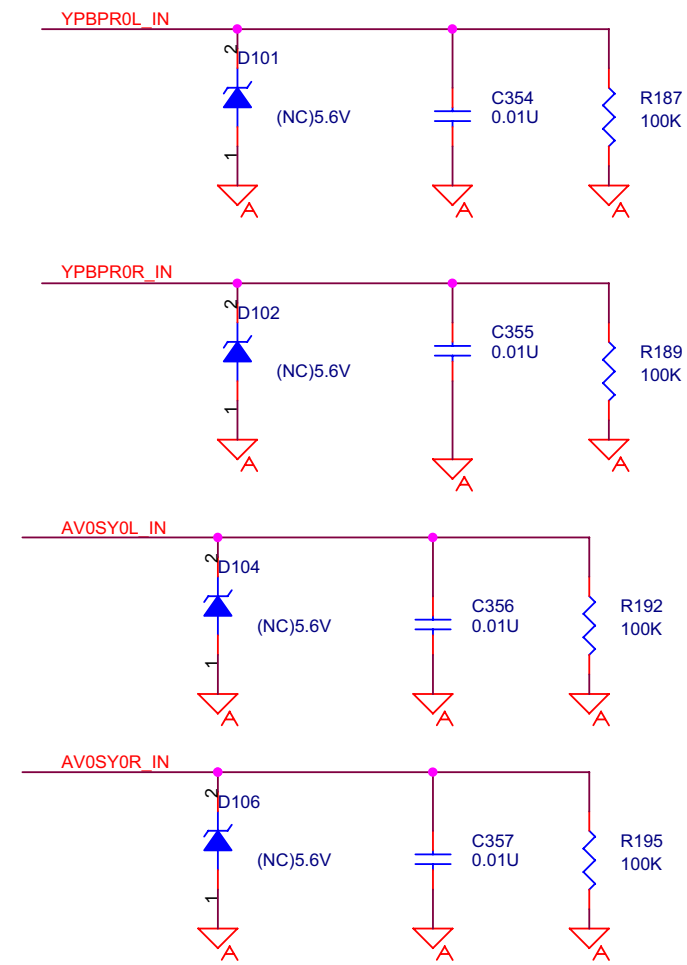
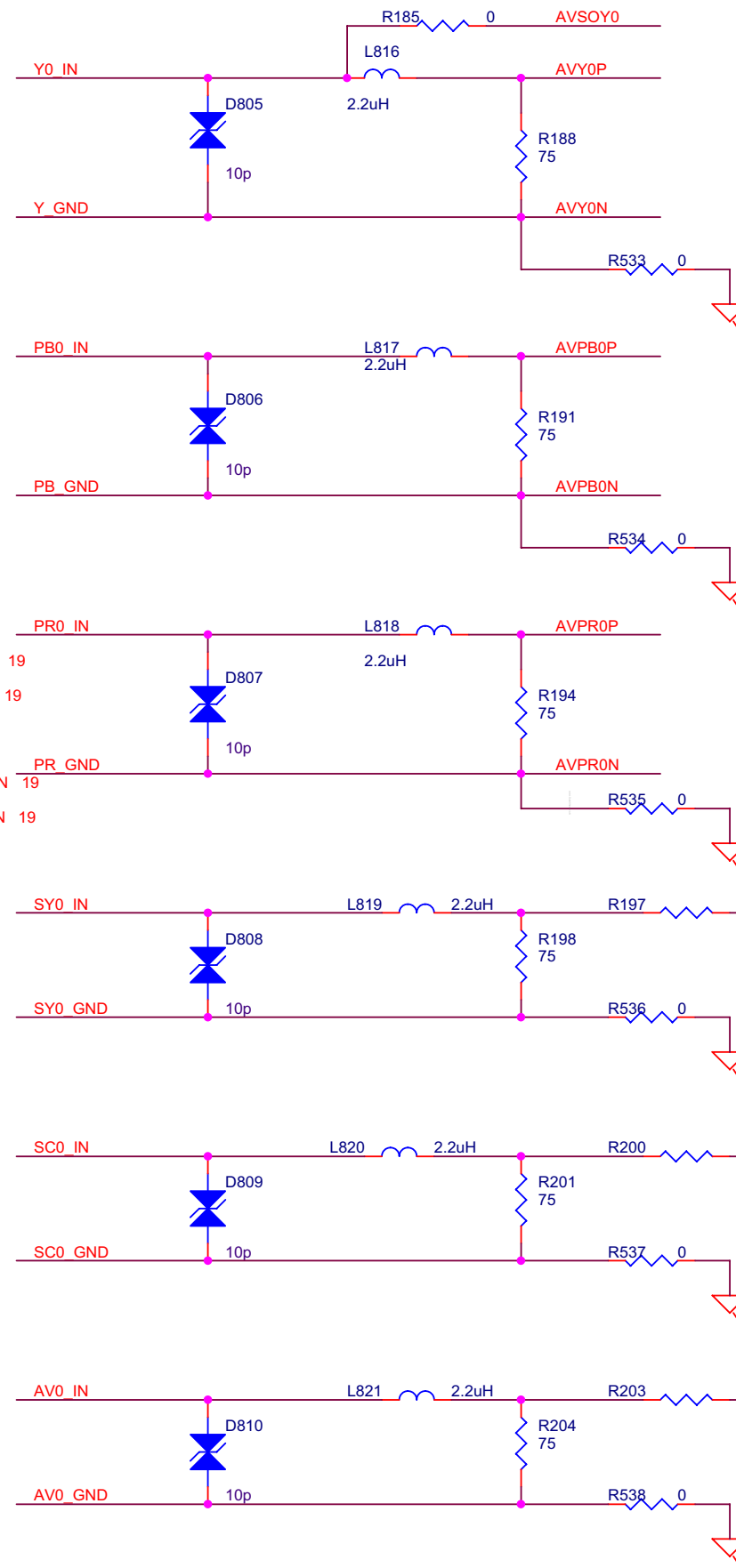
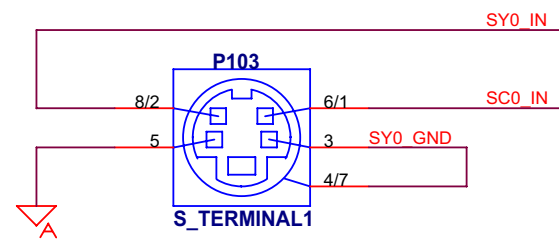
YPBPR/AV Input.



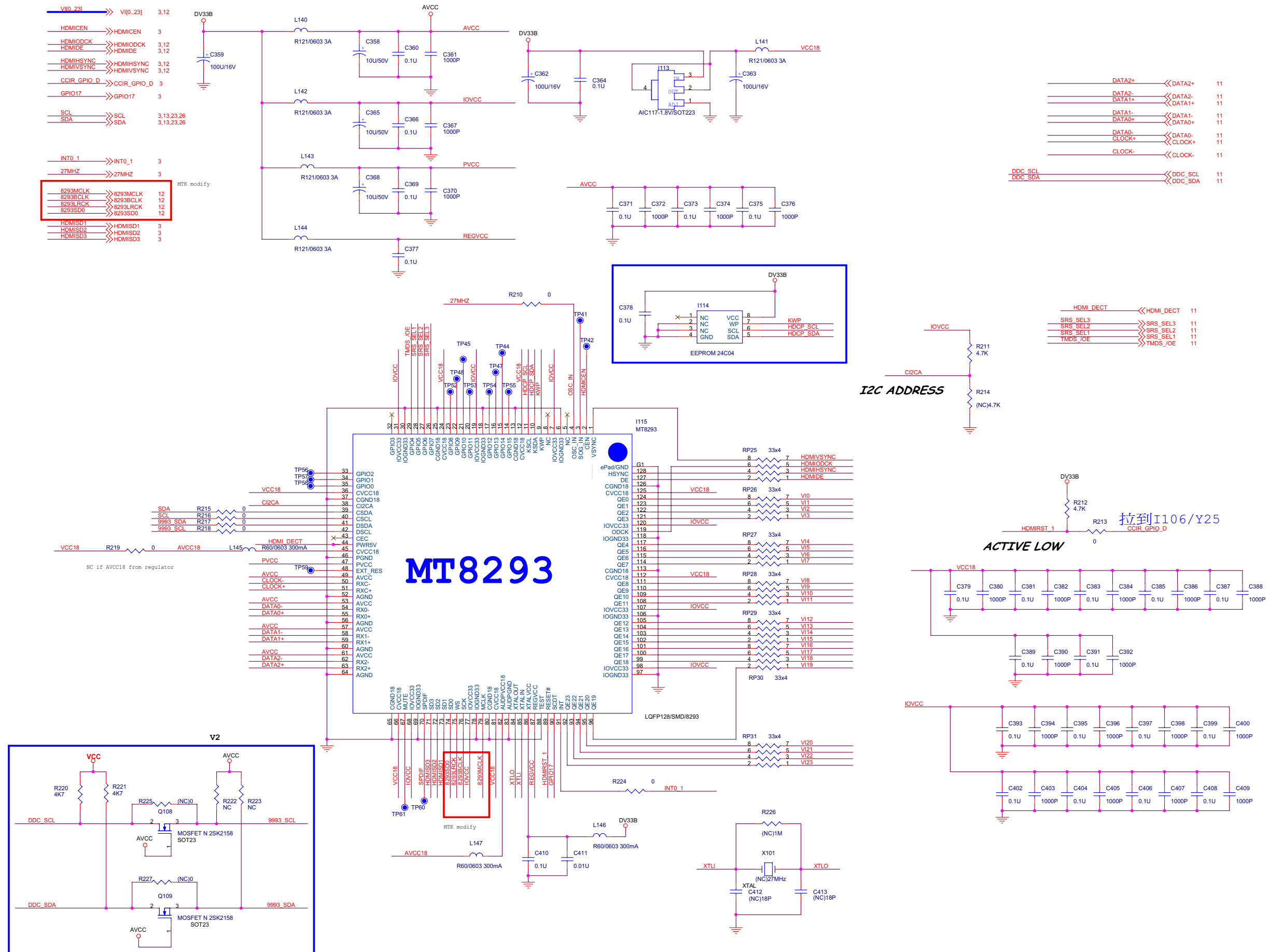
YPBPR/AV/S AUDIO Input.



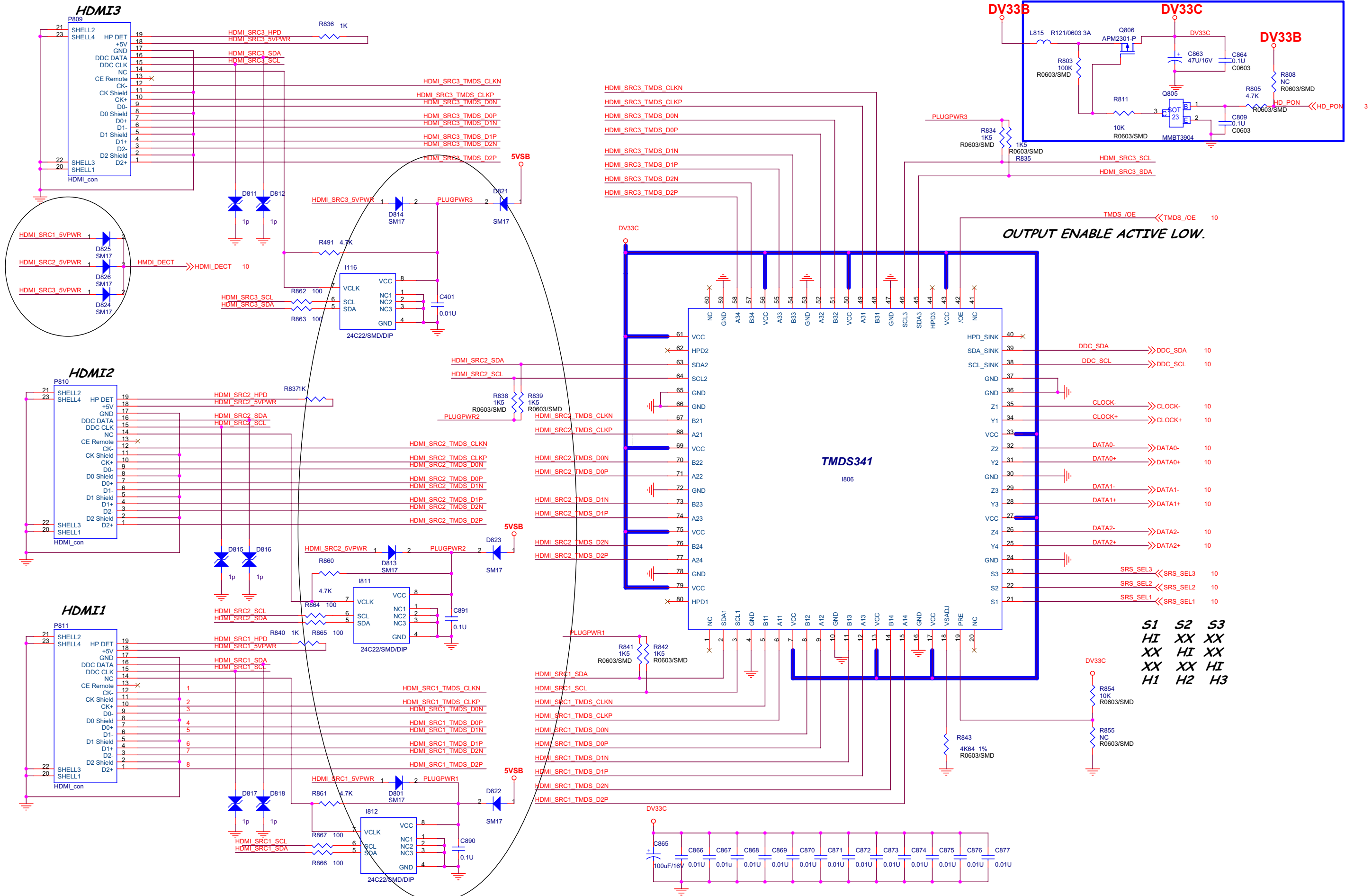
SVIDEO Input.



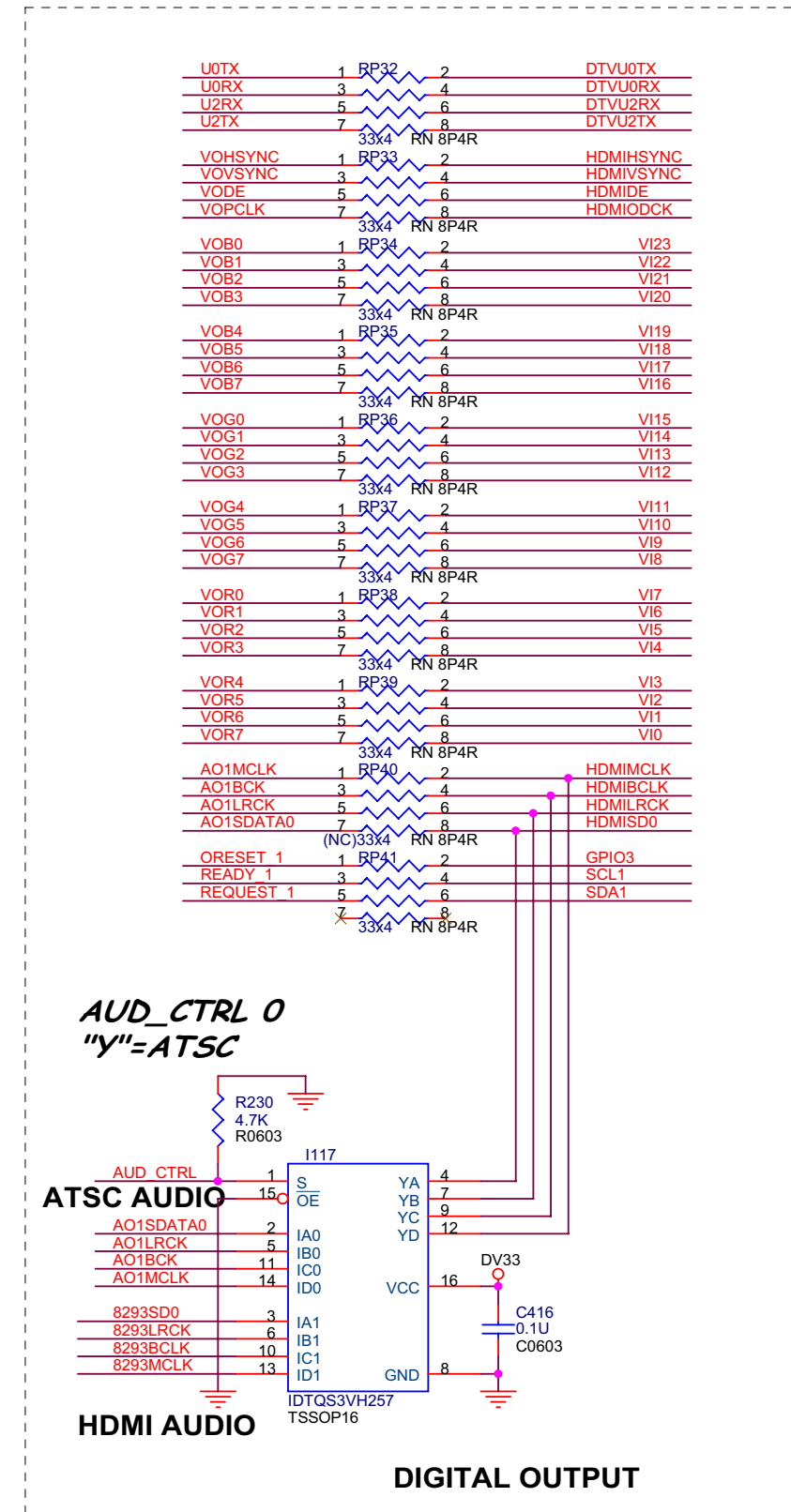
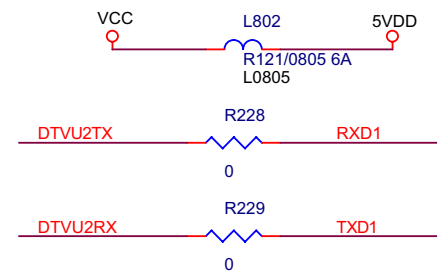
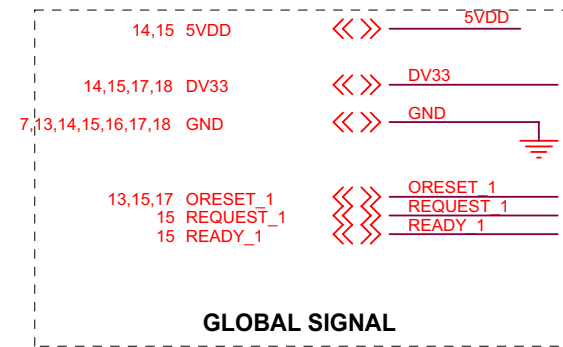
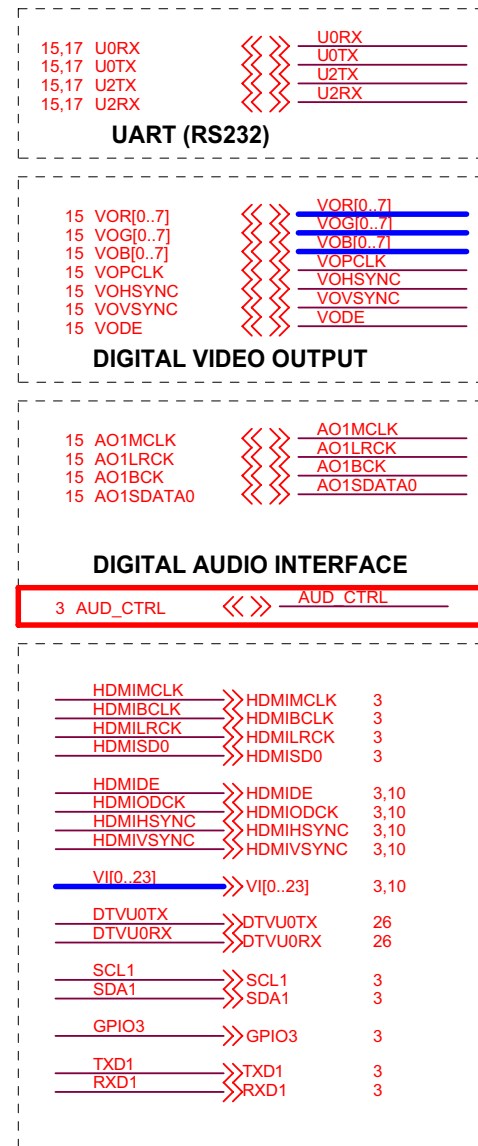
8.10. HDMI INPUT-MT8293



8.11. HDMI SWITCH

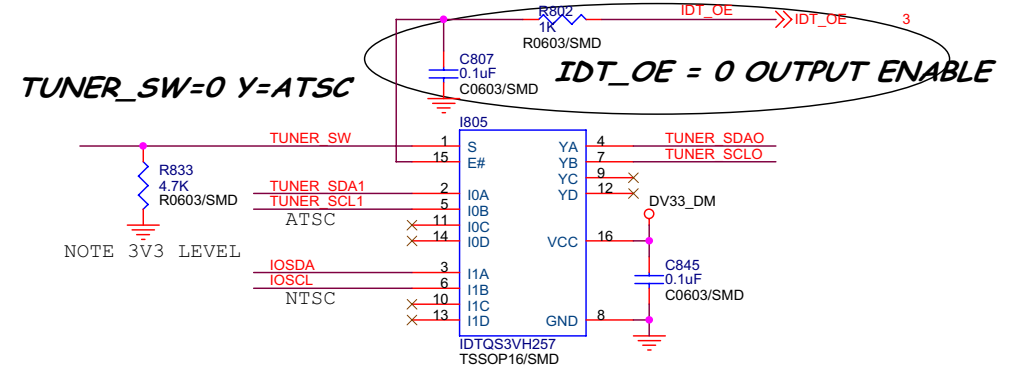
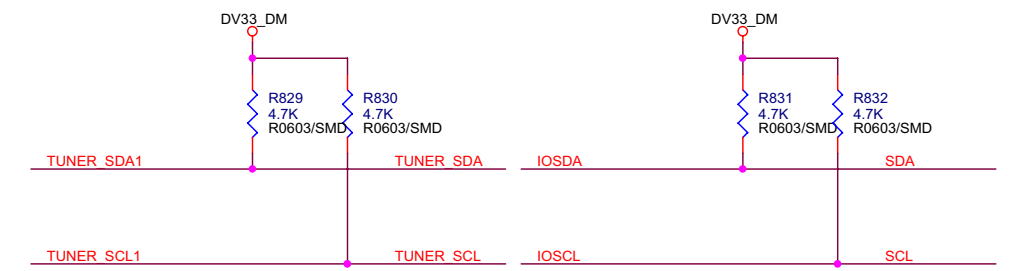
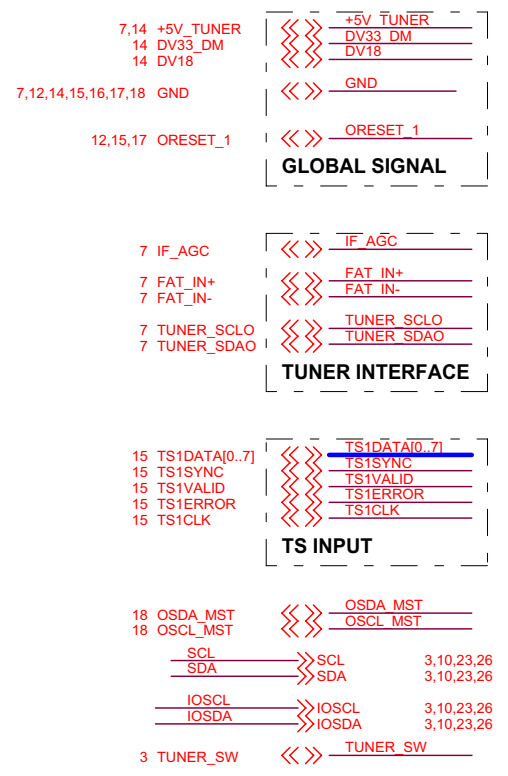
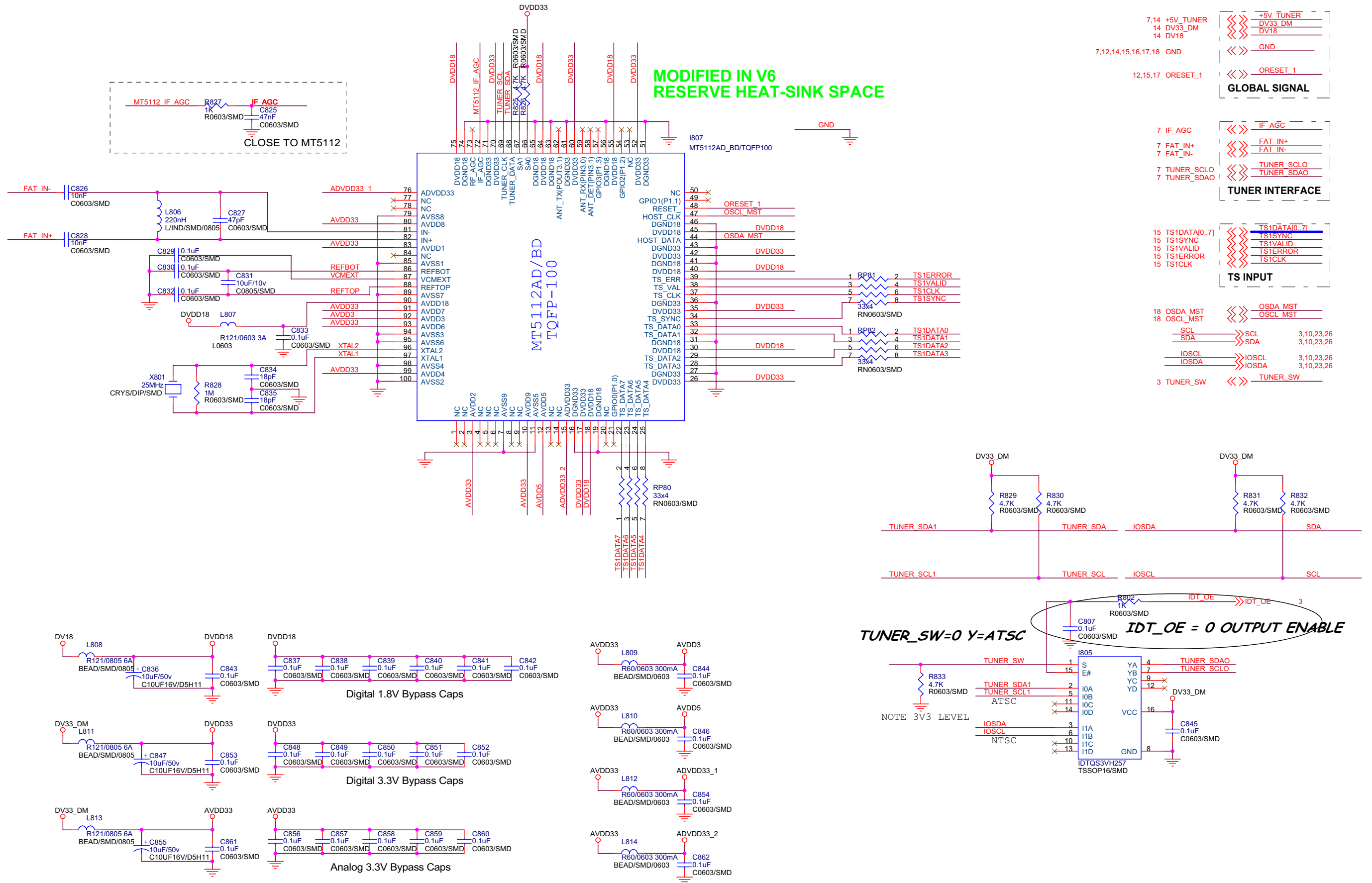


8.12. ATSC INDEX

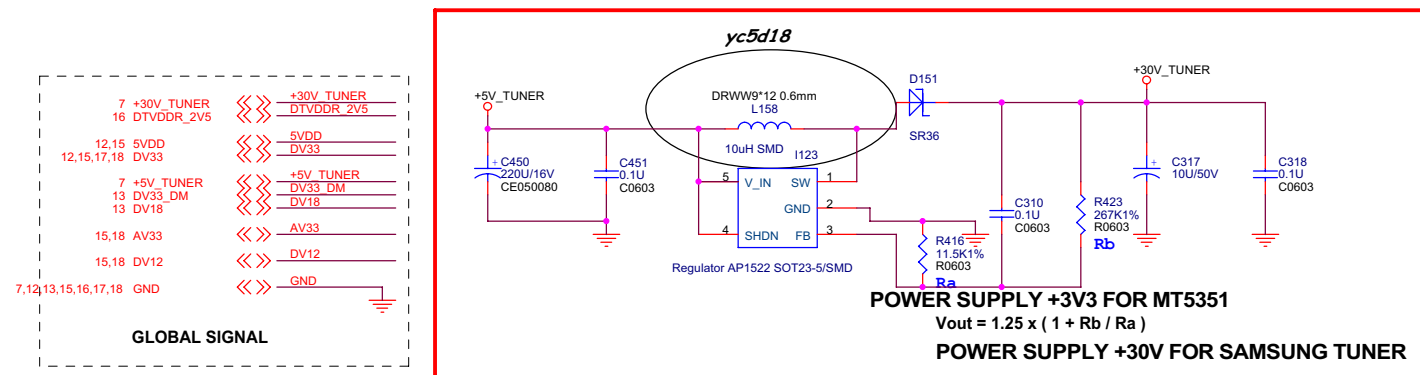
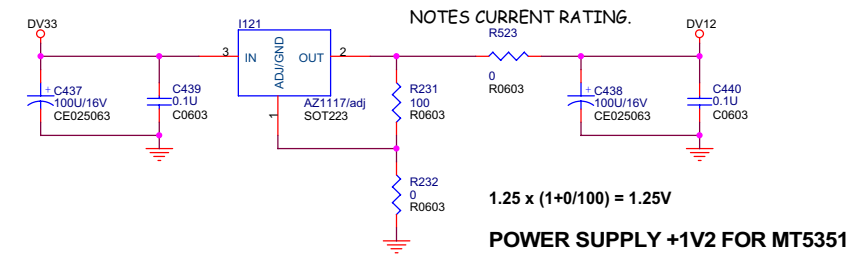
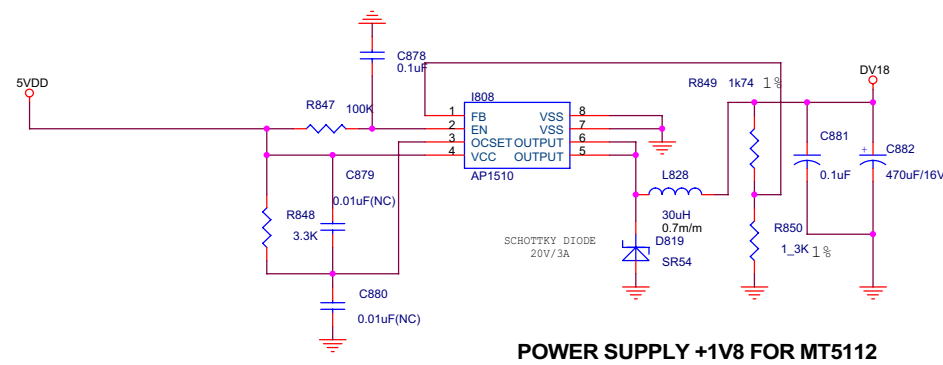
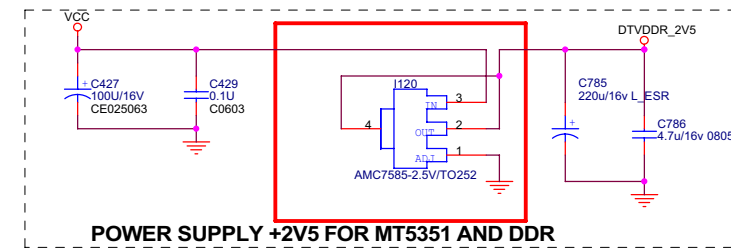
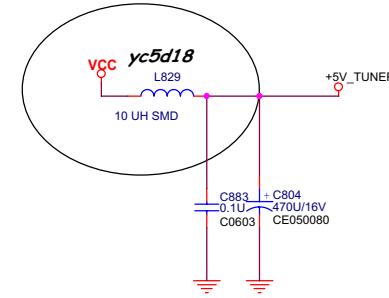
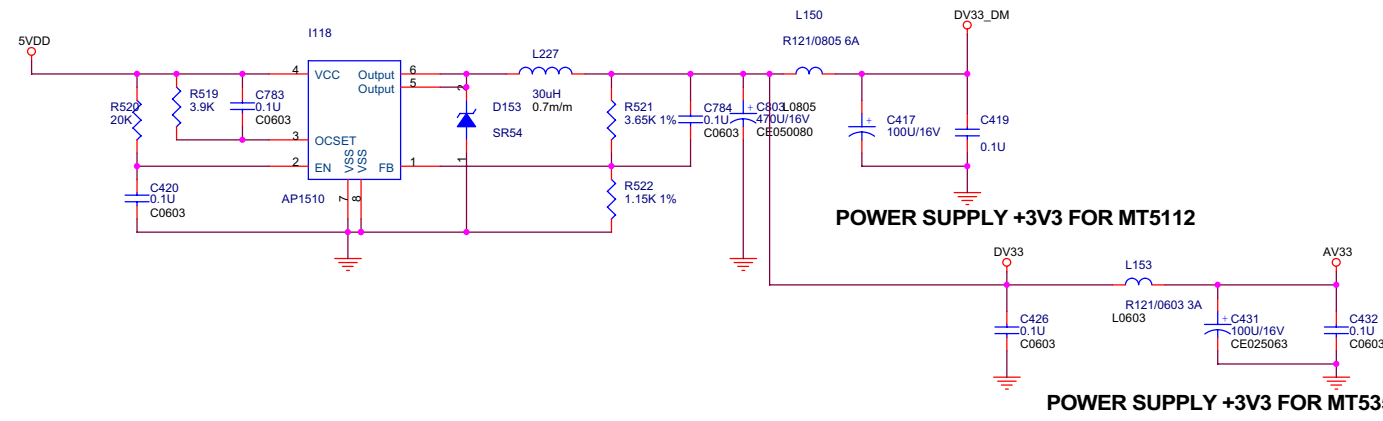


NAME	TYPE	DEVICE
+12V	POWER +12V	POWER SUPPLY
+5V	POWER +5V	POWER SUPPLY
+5V_tuner	POWER +5V	TUNER POWER
DV33_DM	POWER +3V3	MT5112 POWER
DV18	POWER +1V8	MT5112 POWER
DV33	POWER +3V3	MT5351 POWER
AV33	POWER +3V3	MT5351 ANALOG POWER
DV25	POWER +2V5	MT5351 DDR POWER
DV12	POWER +1V2	MT5351 POWER
GND	GROUND	GROUND

8.13. MT5112 ASIC

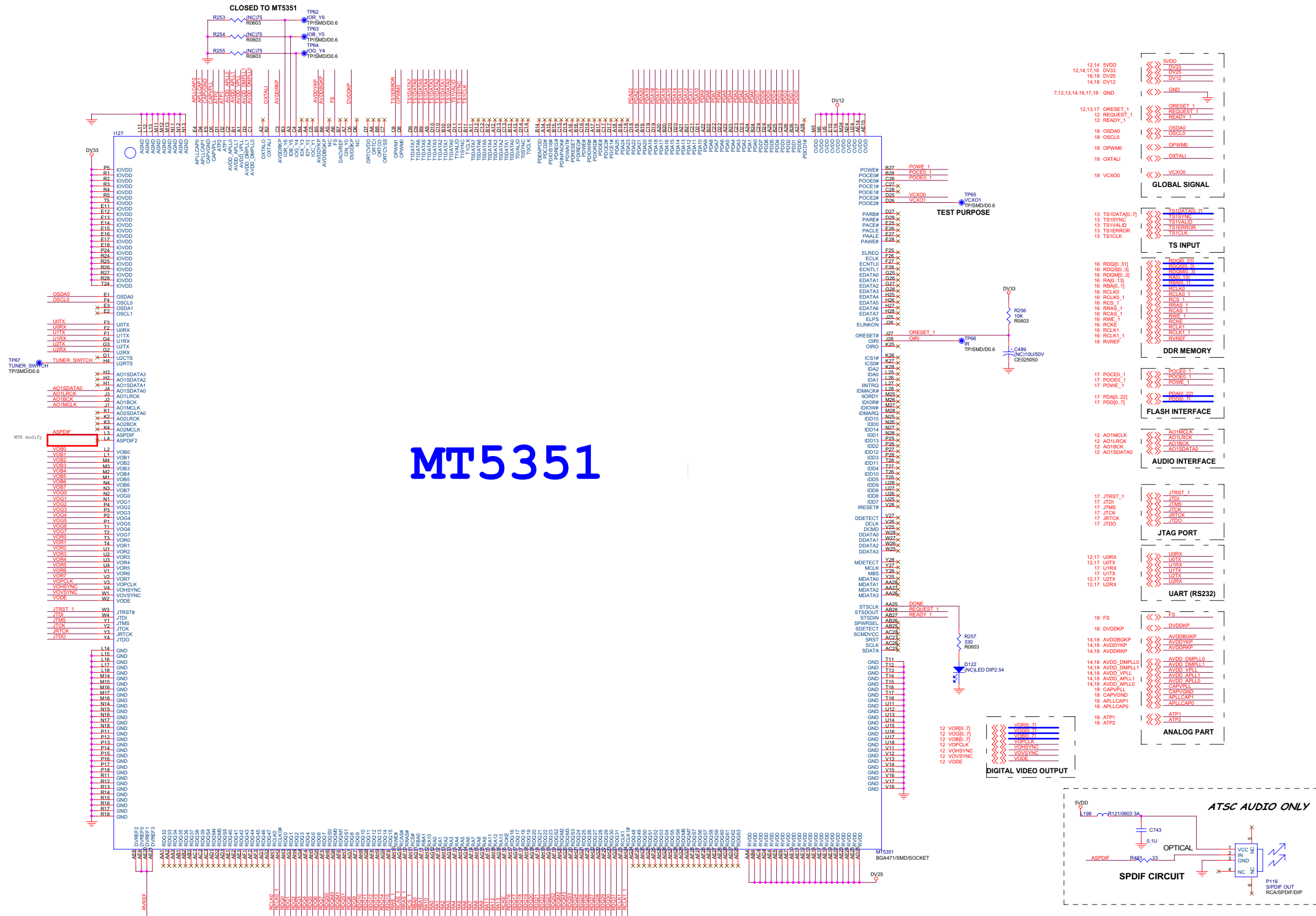


8.14. ATSC POWER



GLOBAL SIGNAL	
7 +30V_TUNER	<<>> +30V_TUNER
16 DTVDDR_2V5	<<>> DTVDDR_2V5
12,15,17,18 5VDD	<<>> 5VDD
12,15,17,18 DV33	<<>> DV33
7 +5V_TUNER	<<>> +5V_TUNER
13 DV33_DM	<<>> DV33_DM
13 DV18	<<>> DV18
15,18 AV33	<<>> AV33
15,18 DV12	<<>> DV12
7,12,13,15,16,17,18 GND	<<>> GND

8.15. MT5351 ASIC

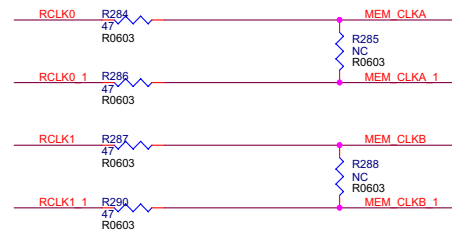


8.16. MT5351 DDR MEMORY



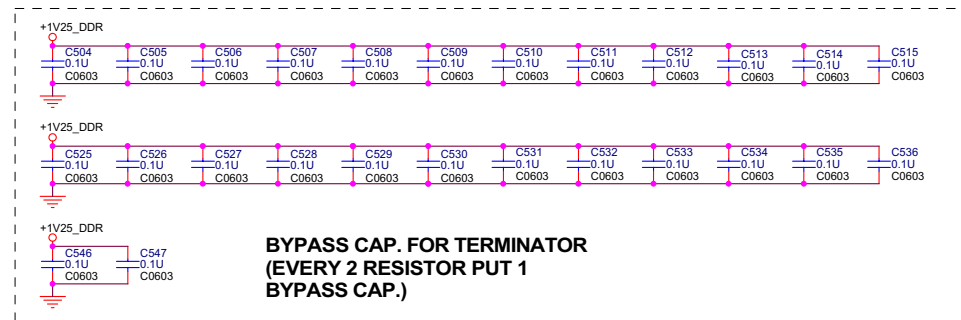
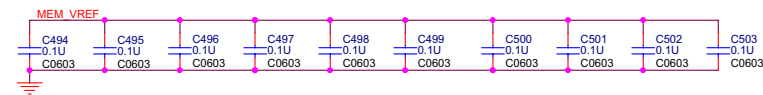
CLOSED TO MT5351

CLOSED TO DDR

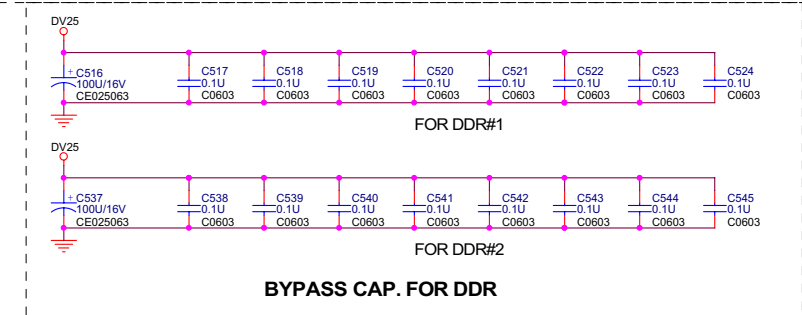


CLOSED TO MT5351

CLOSED TO DDR



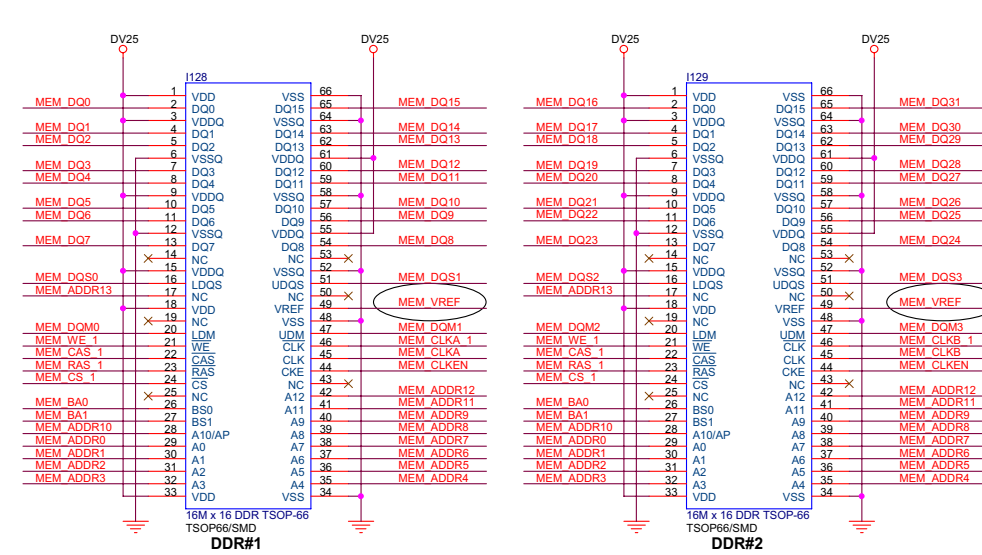
BYPASS CAP. FOR TERMINATOR
(EVERY 2 RESISTOR PUT 1
BYPASS CAP.)



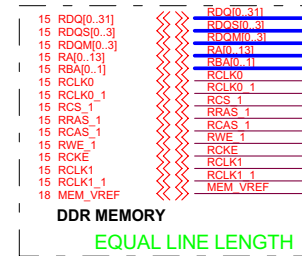
FOR DDR#1

FOR DDR#2

BYPASS CAP. FOR DDR

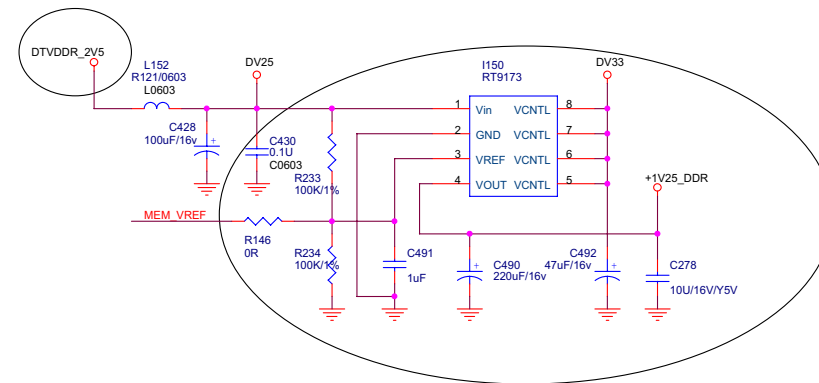


GLOBAL SIGNAL

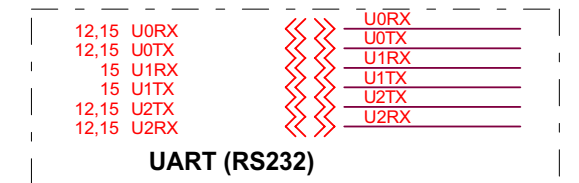
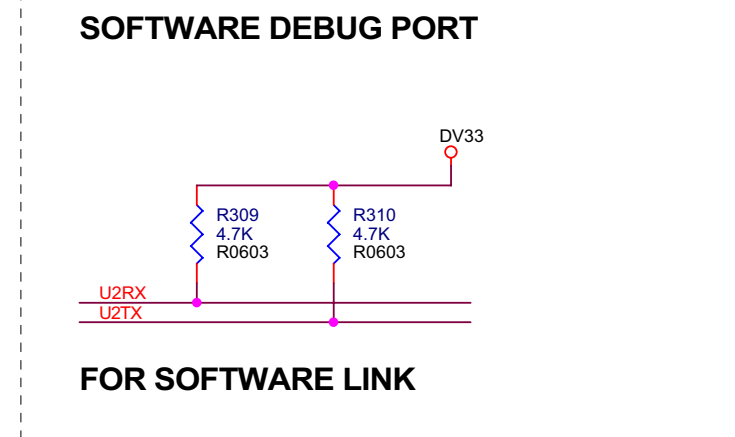
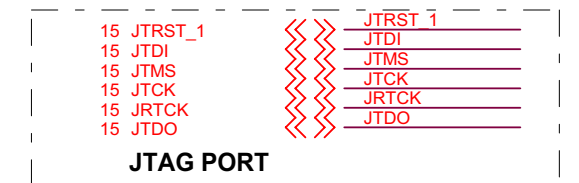
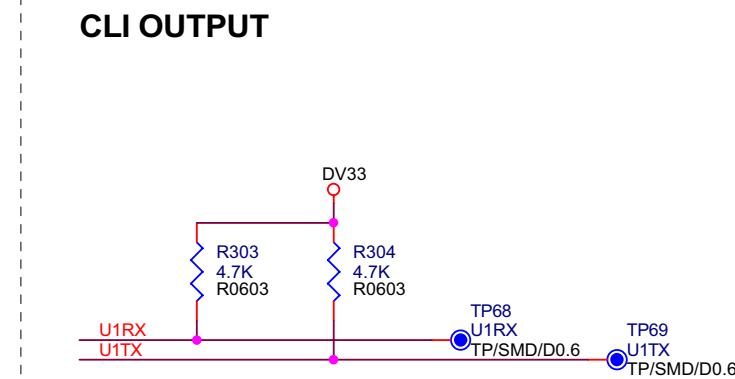
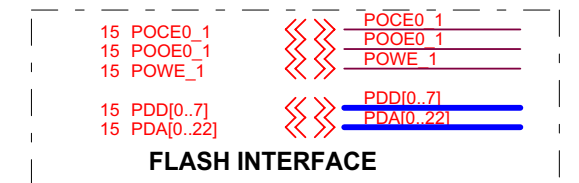
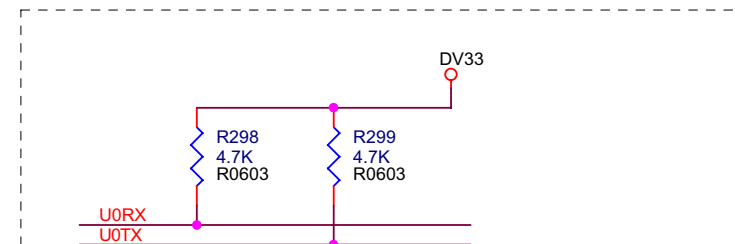
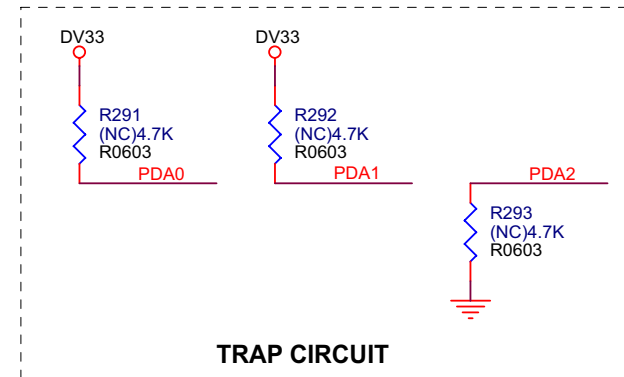
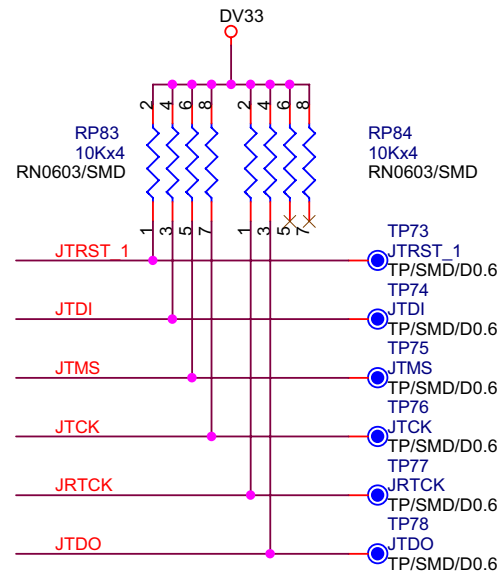
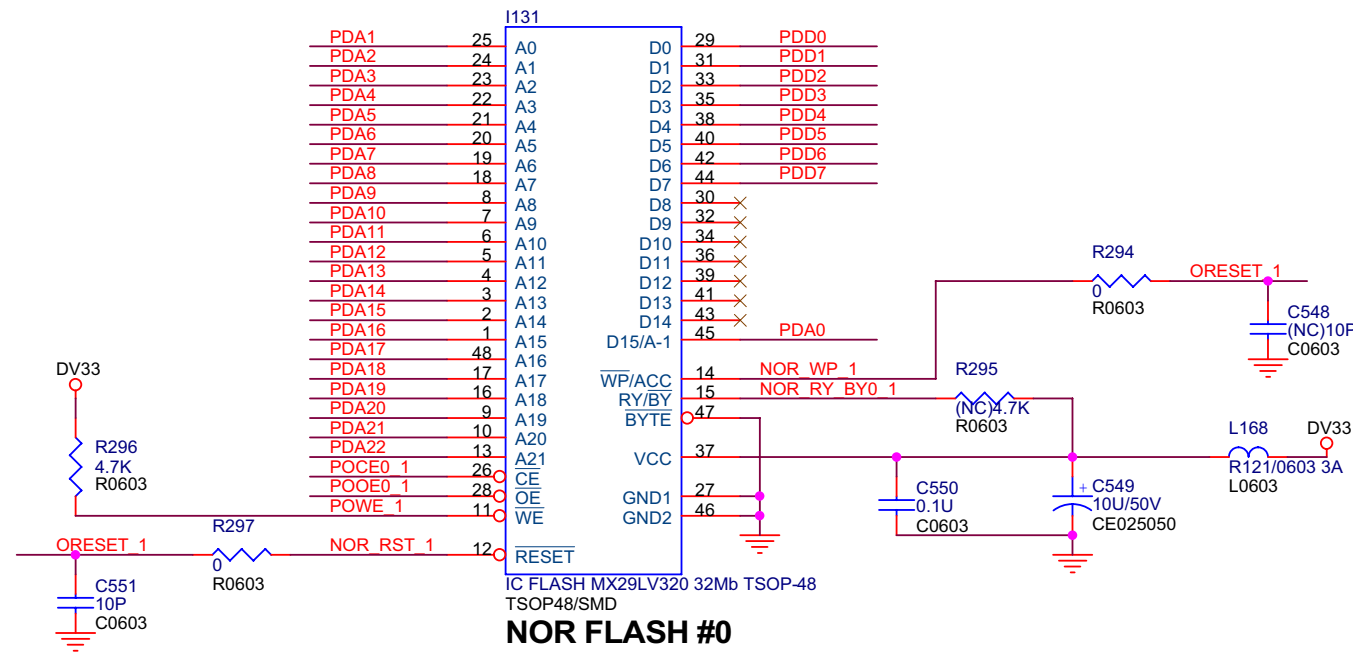


DDR MEMORY

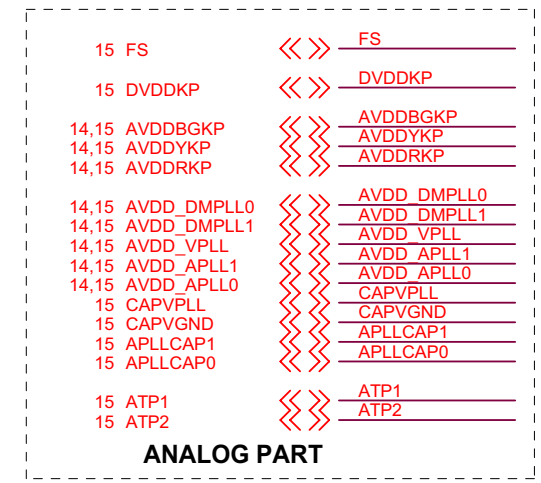
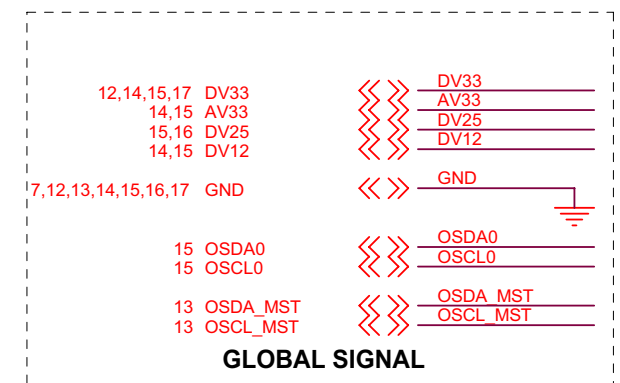
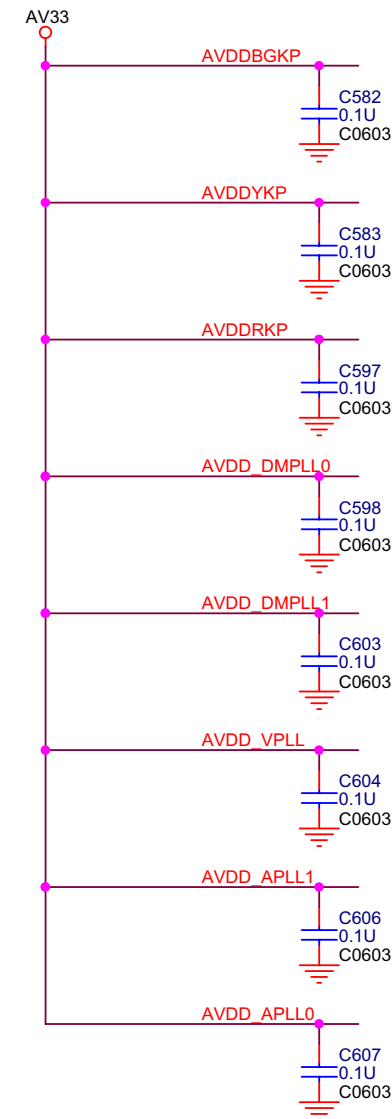
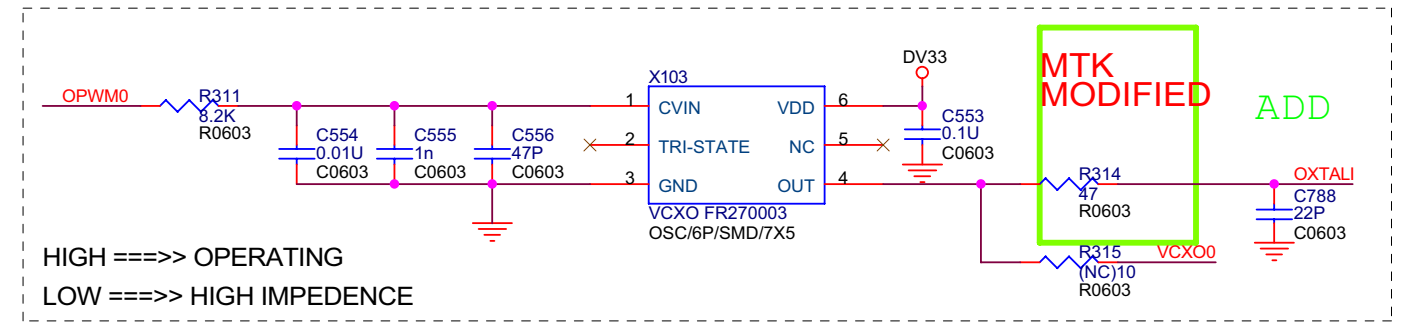
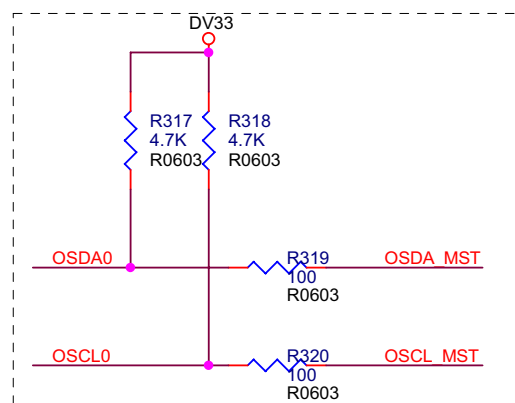
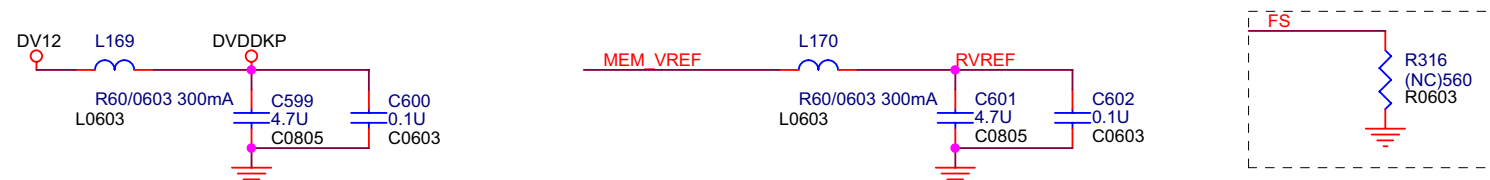
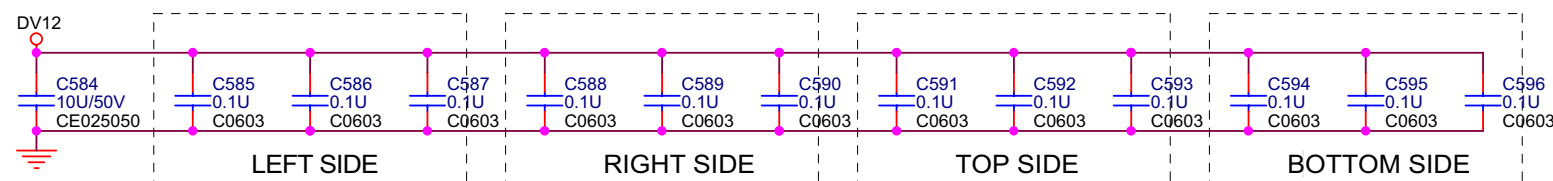
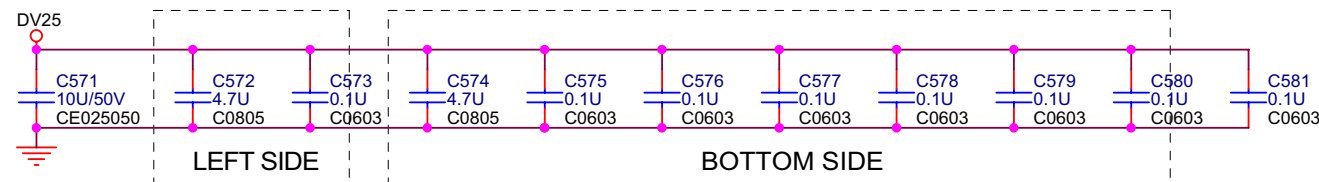
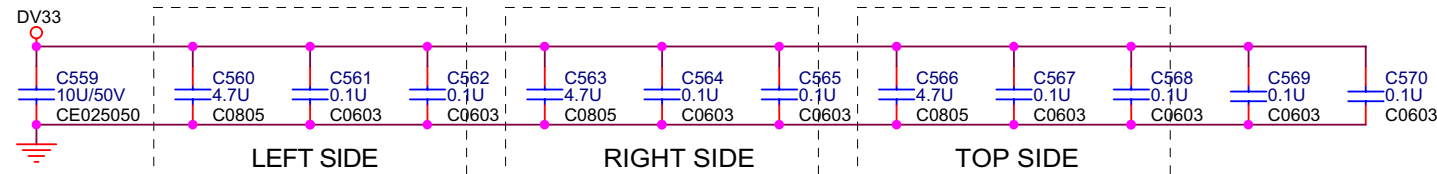
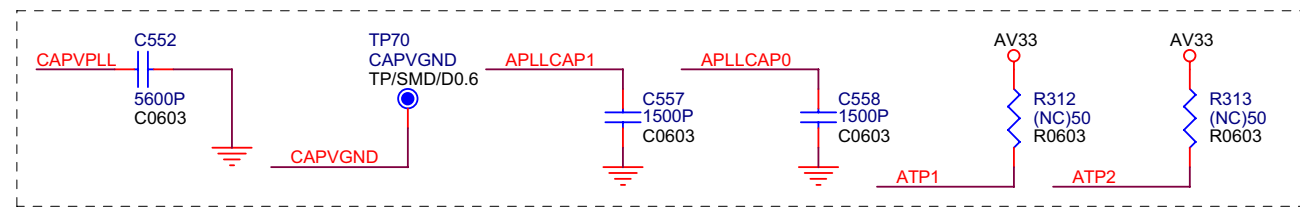
EQUAL LINE LENGTH



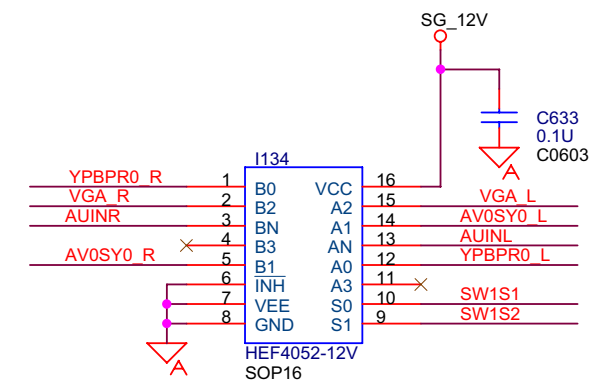
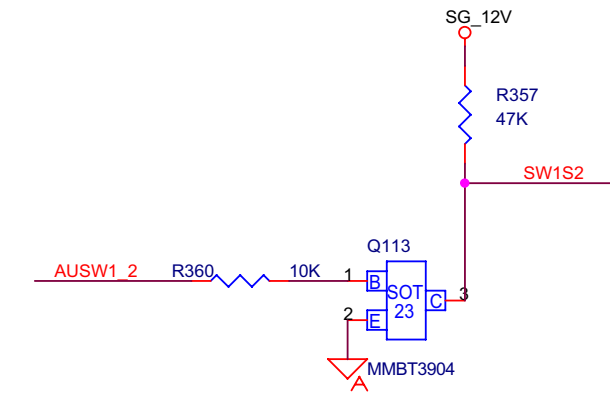
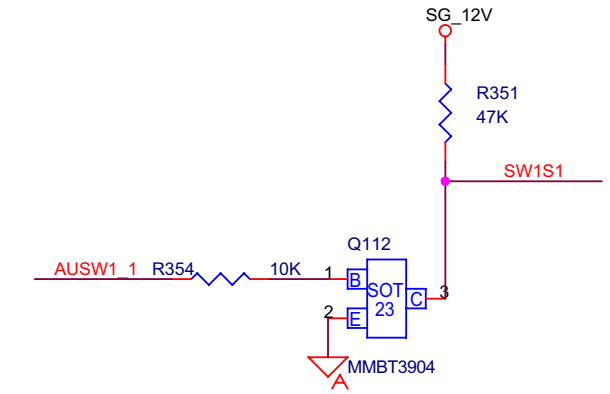
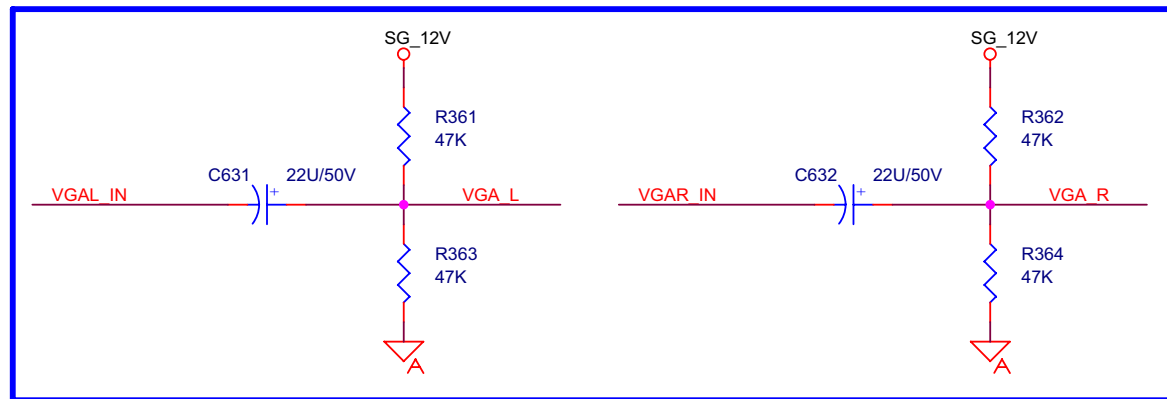
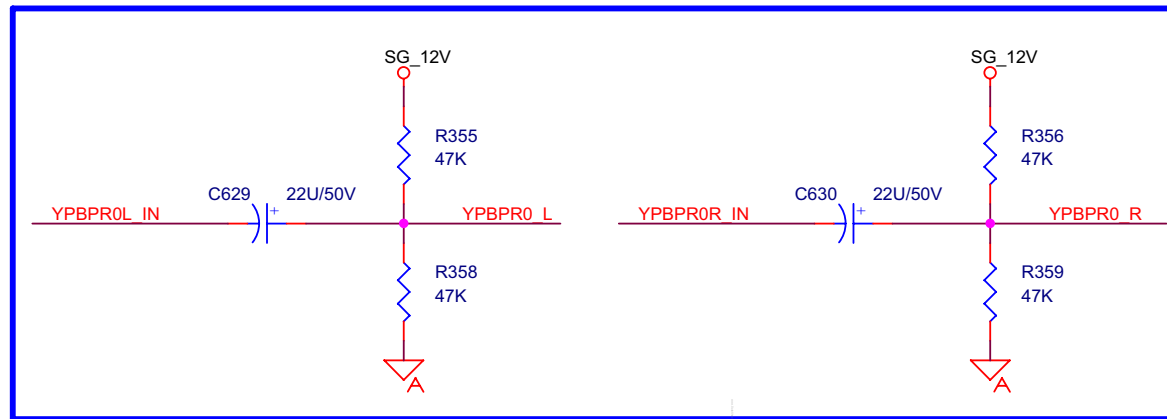
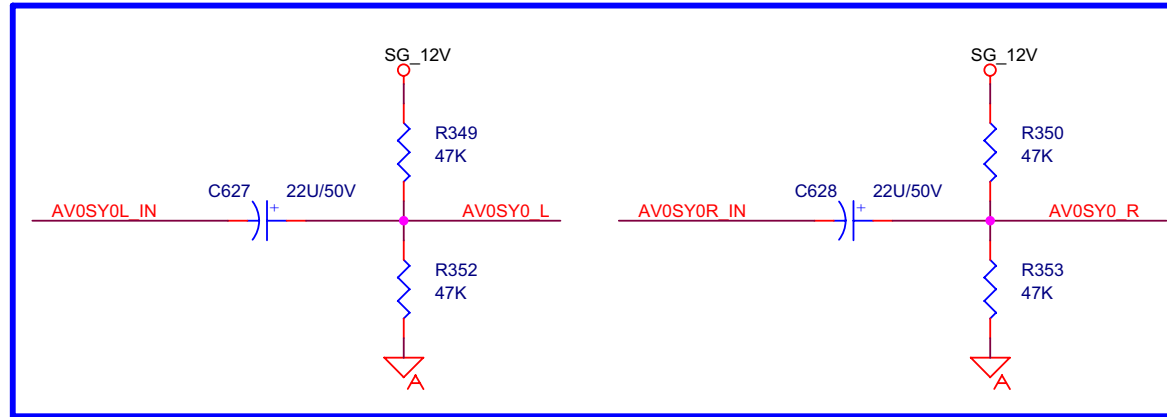
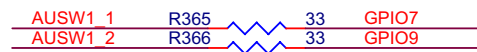
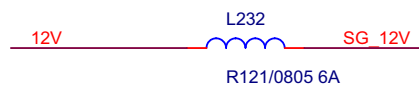
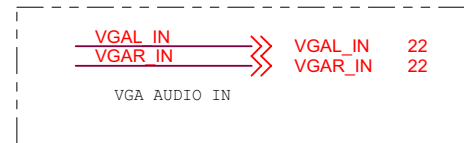
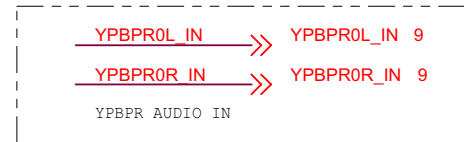
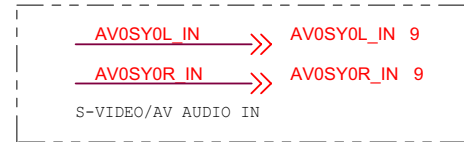
8.17. MT5351 FLASH



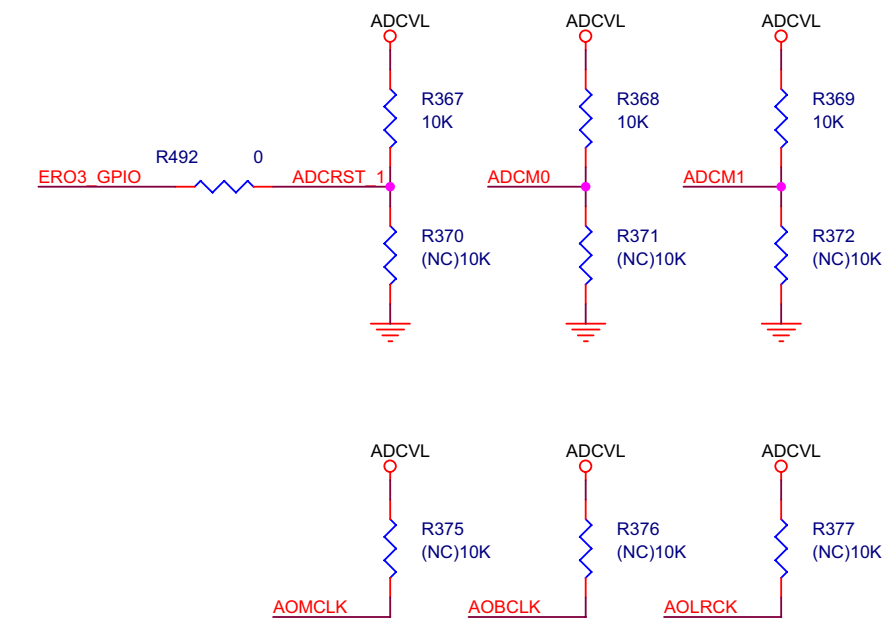
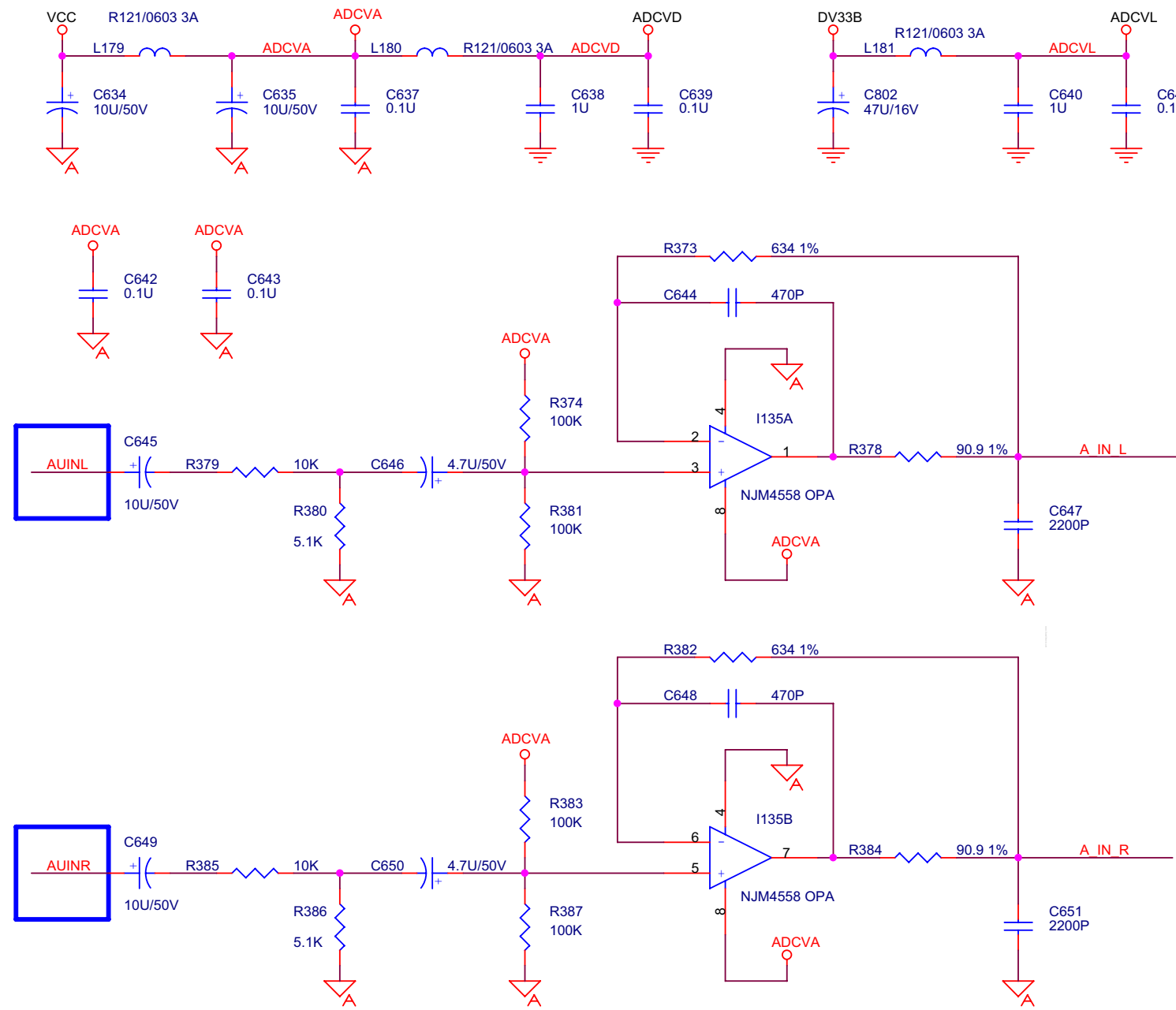
8.18. MT5351 PERIPHERAL



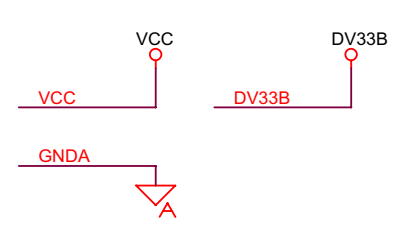
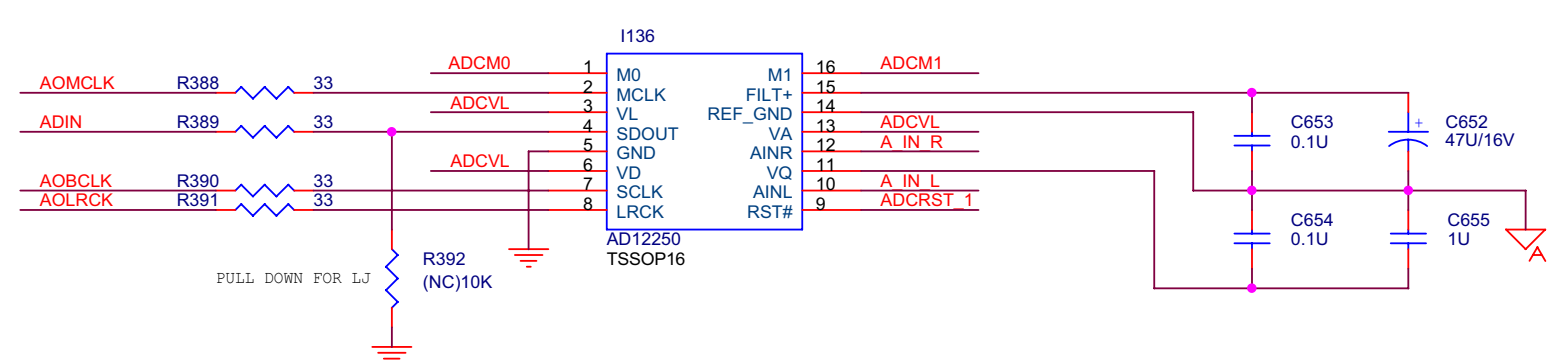
8.19. AUDIO SWITCH



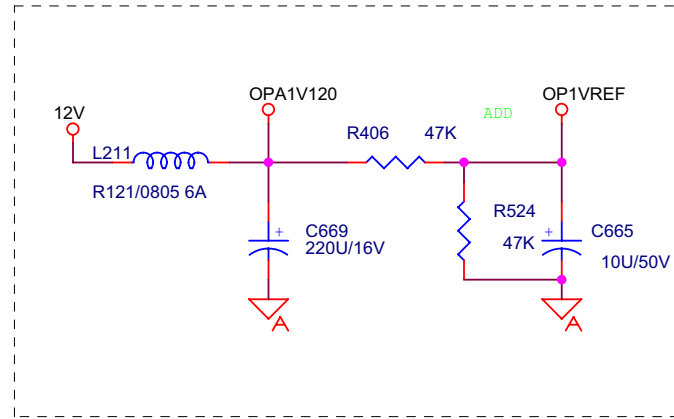
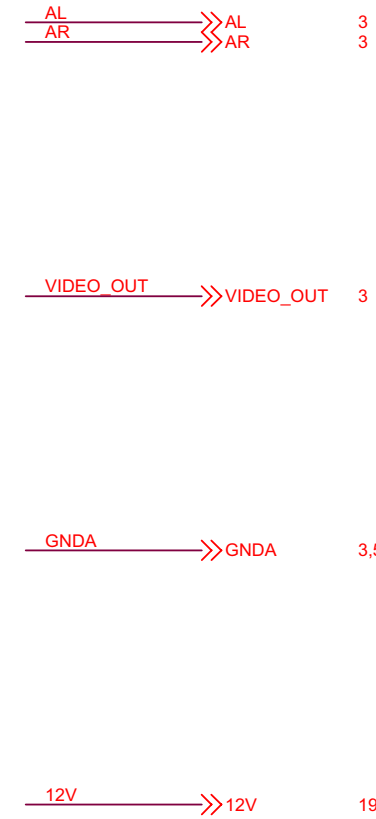
AUDIO ADC



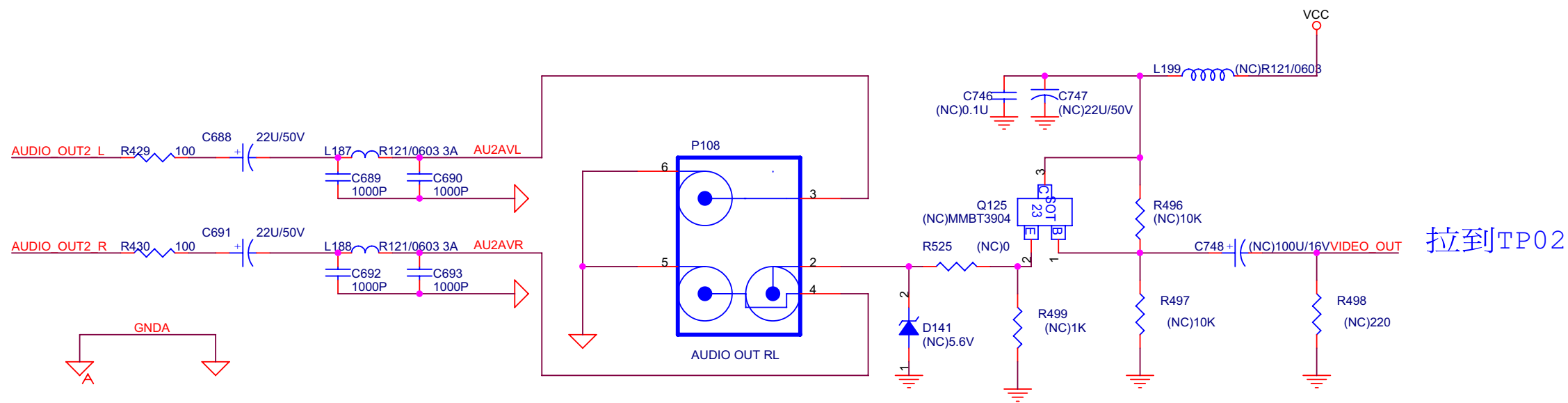
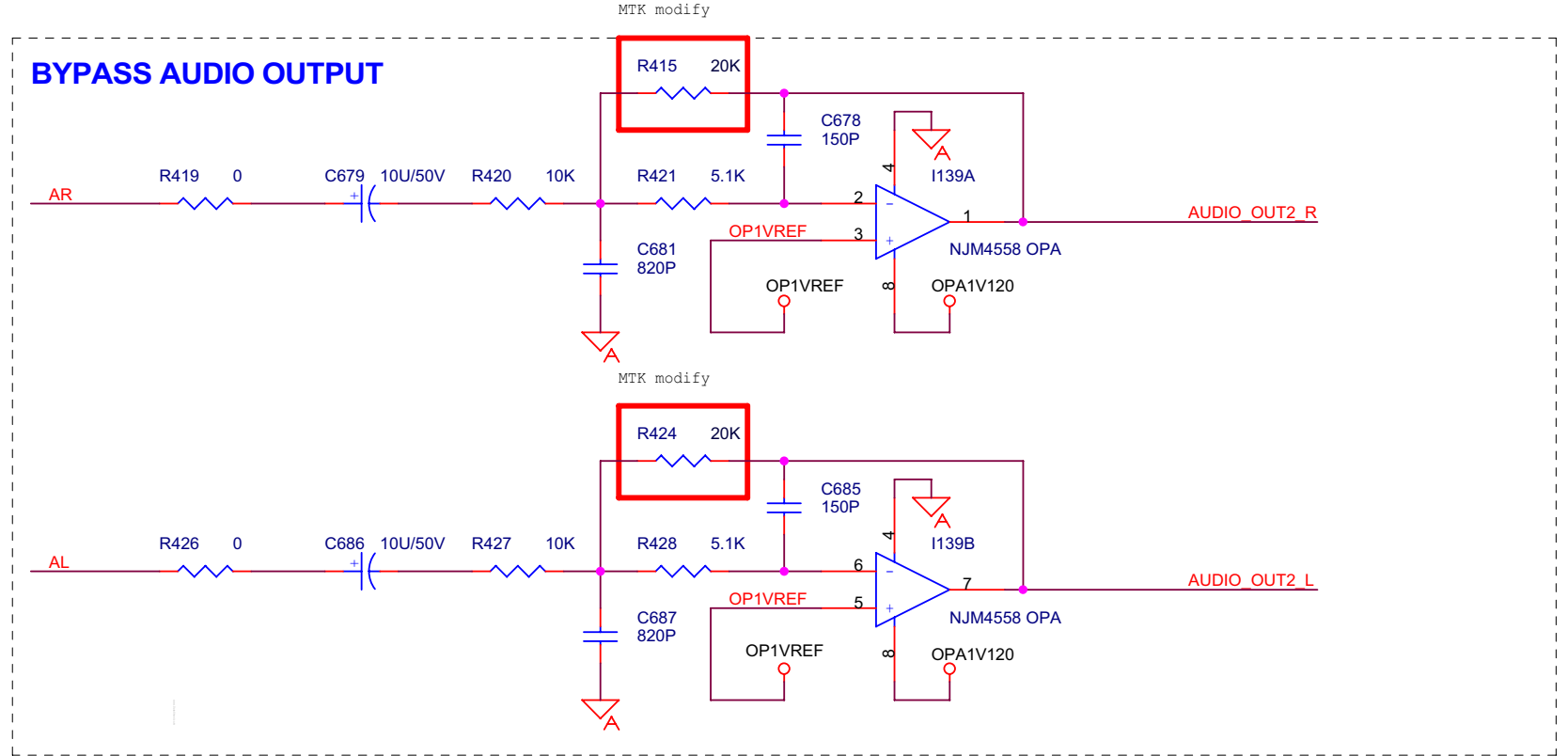
ERO3_GPIO	ERO3_GPIO	3
AUINL	AUINL	19
AUINR	AUINR	19
AOMCLK	AOMCLK	3,23
AOBCLK	AOBCLK	3,23
AOLRCK	AOLRCK	3,23
ADIN	ADIN	3



8.21. AUDIO DAC



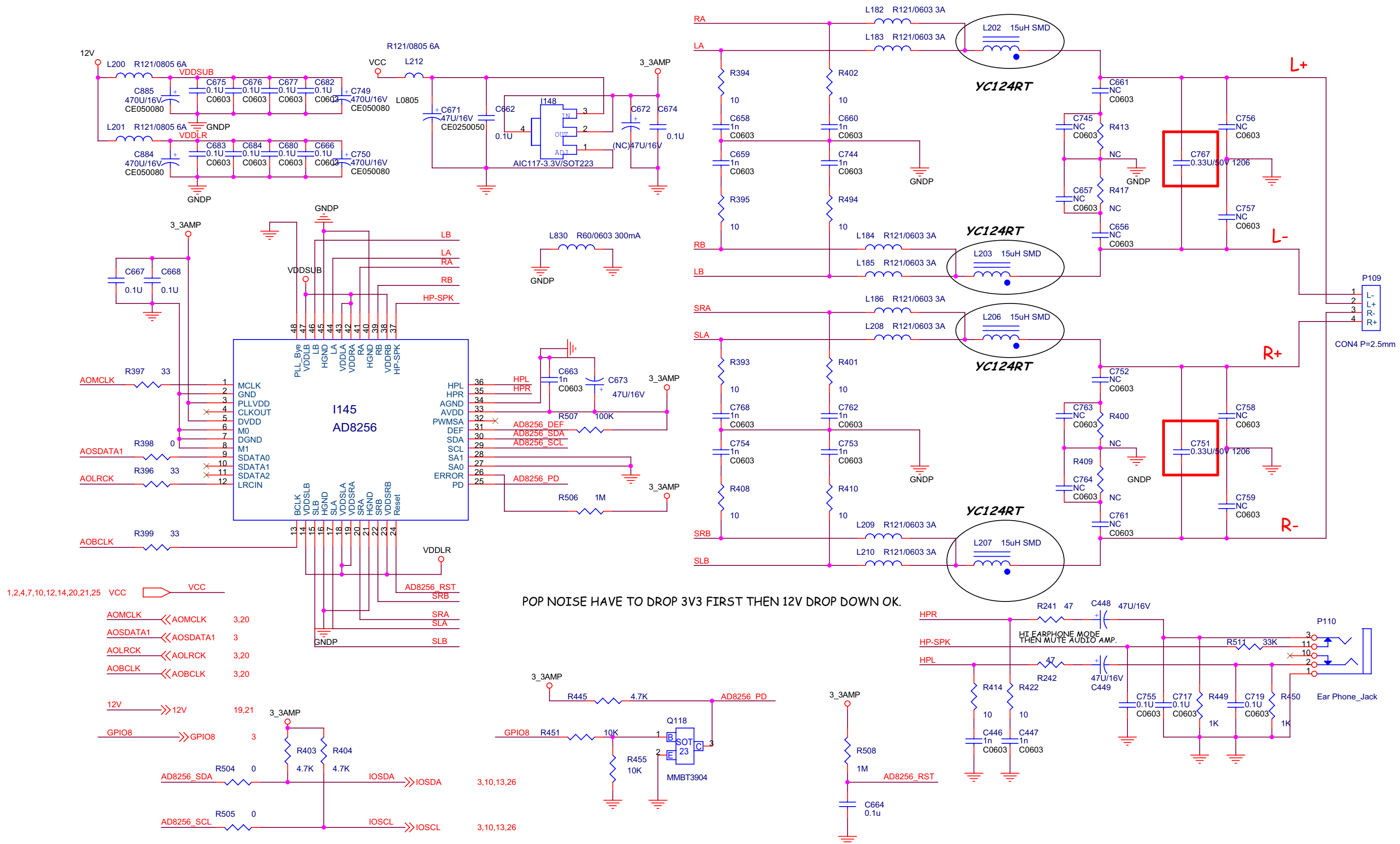
TO ERAPHONE OUTPUT



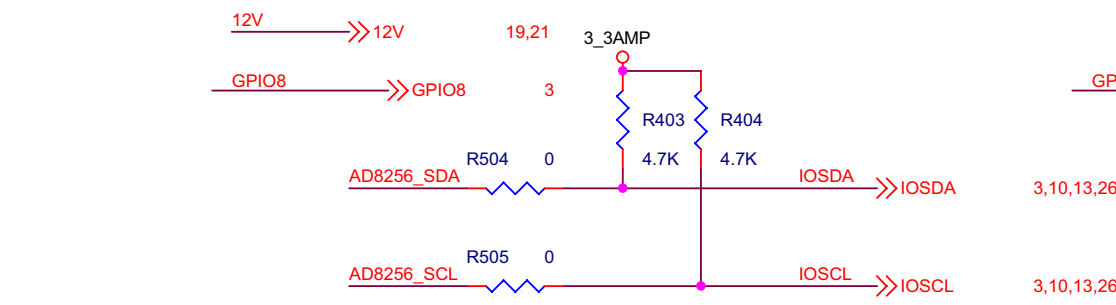
拉到TP02

RCA JACK 1*2 共layout

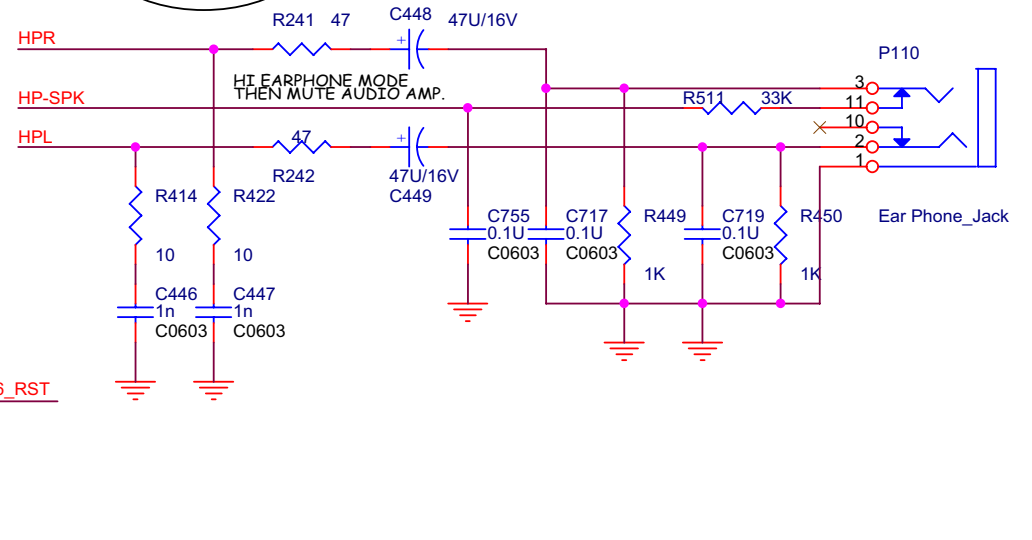
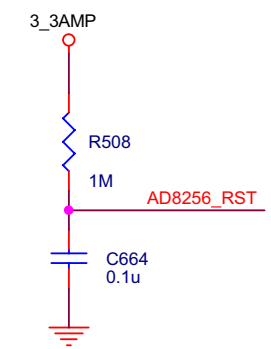
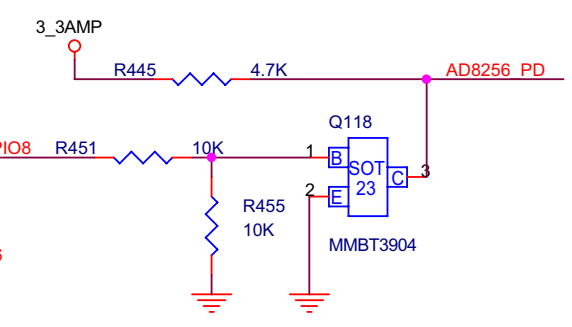
8.23. AUDIO AMP



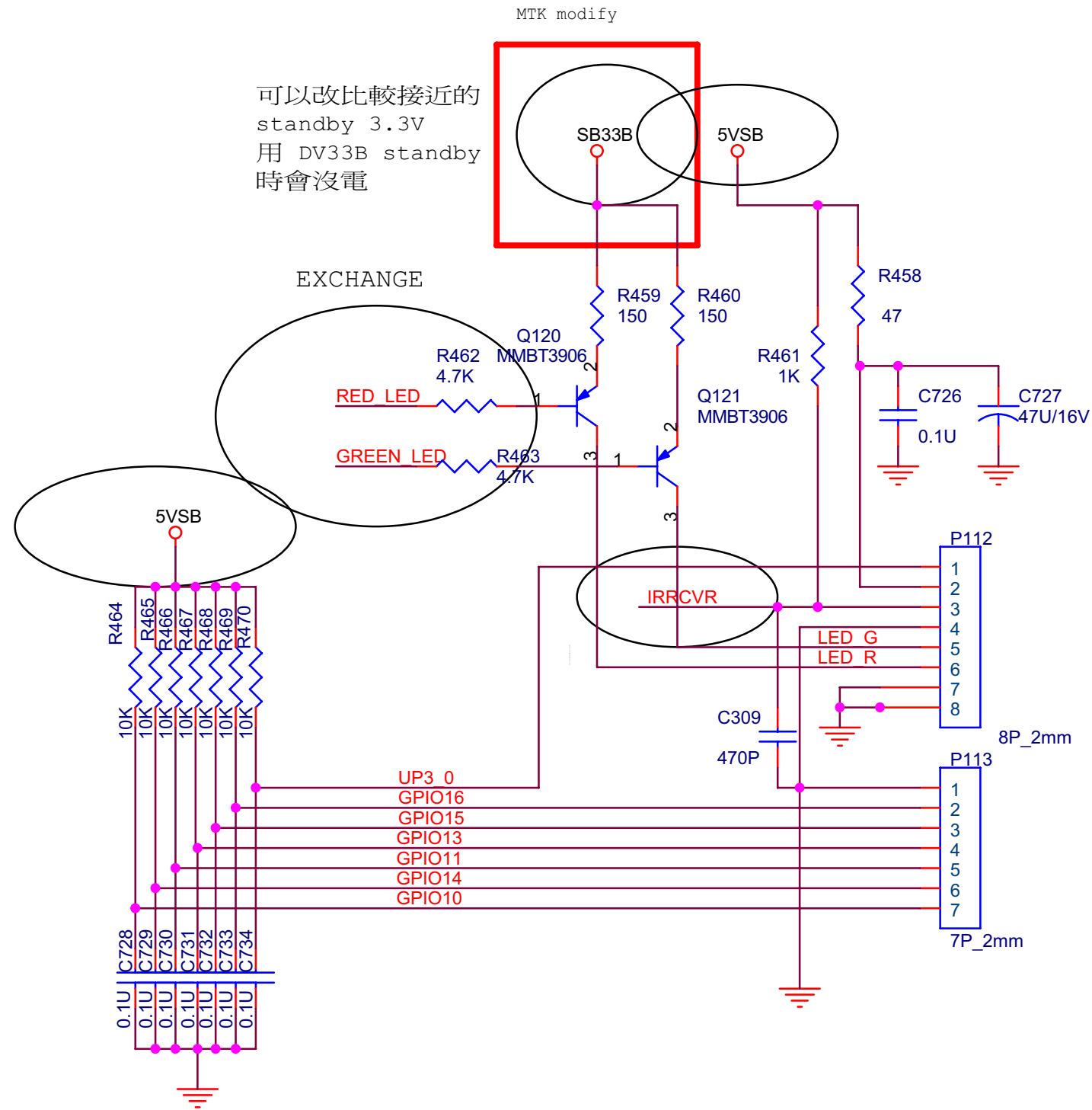
- 1,2,4,7,10,12,14,20,21,25 VCC
- AOMCLK
- AOSDATA1
- AOLRCK
- AOBCLK



POP NOISE HAVE TO DROP 3V3 FIRST THEN 12V DROP DOWN OK.

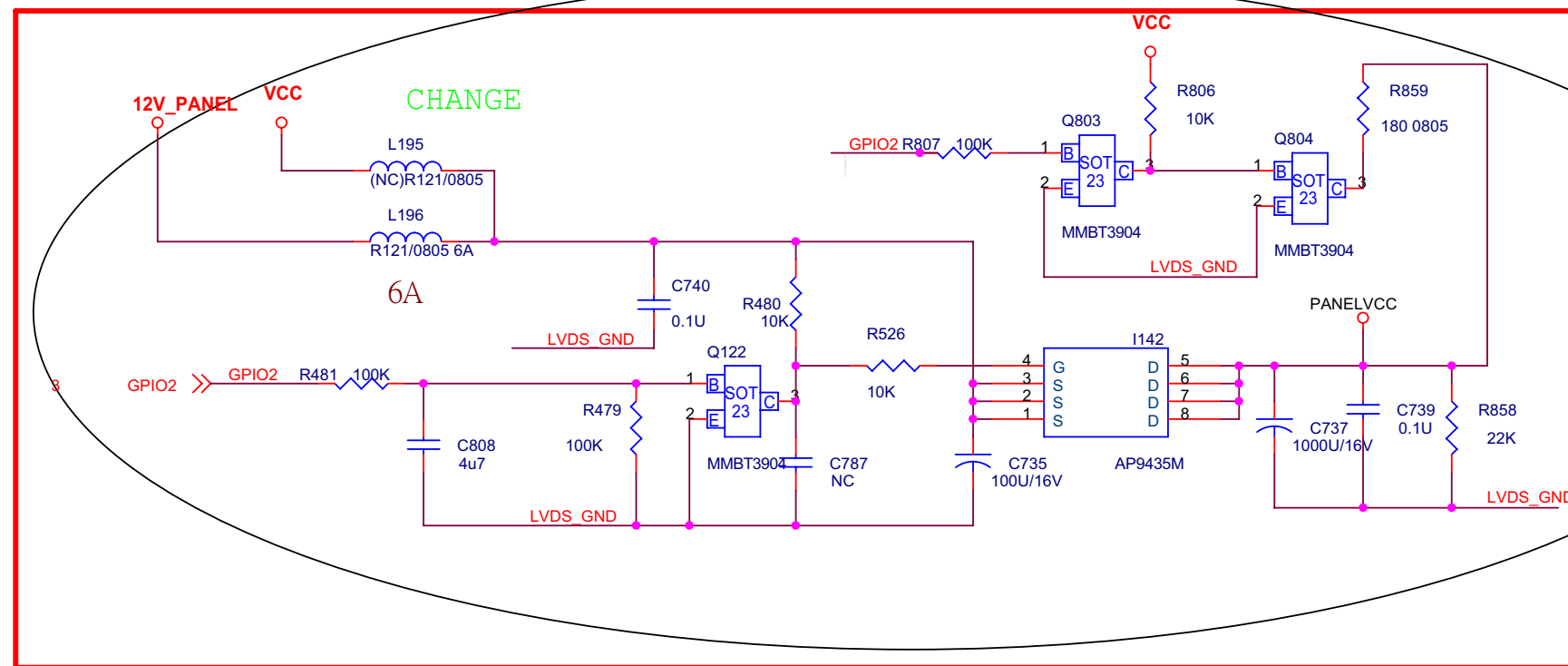


8.24. IR & KEYPAD

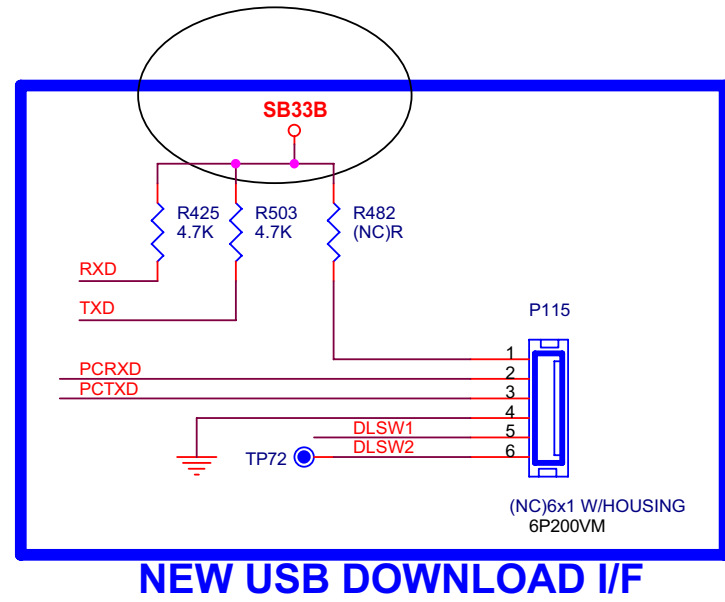


UP3_0	UP3_0	3
GREEN_LED	GREEN_LED	3
GPIO10	GPIO10	3
GPIO11	GPIO11	3
RED_LED	RED_LED	3
GPIO13	GPIO13	3
GPIO14	GPIO14	3
GPIO15	GPIO15	3
GPIO16	GPIO16	3
IRRCVR	IRRCVR	3

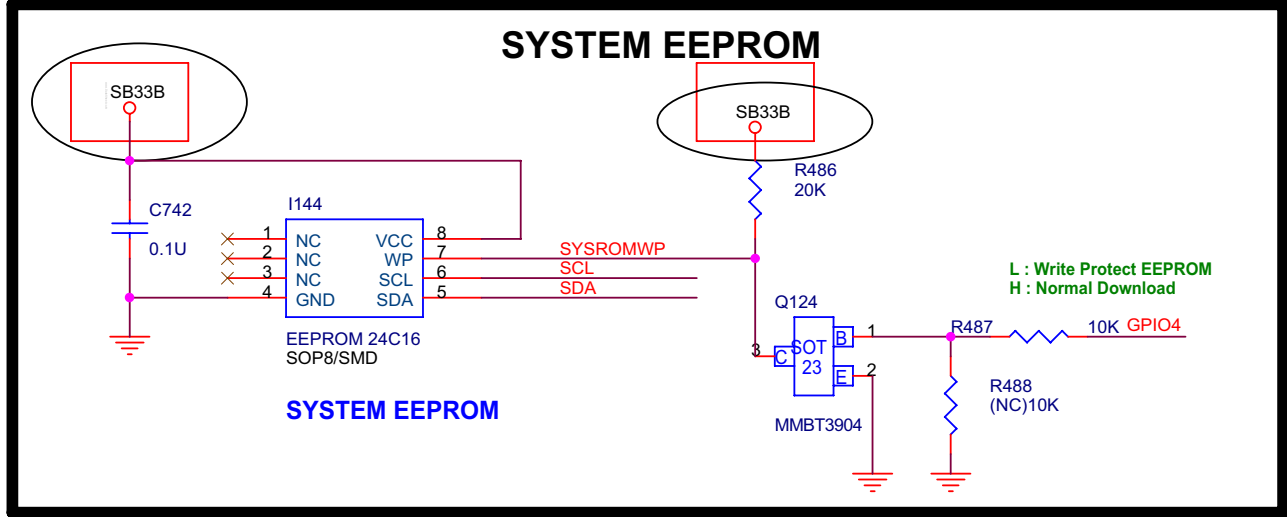
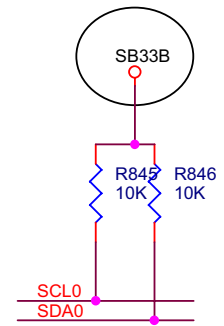
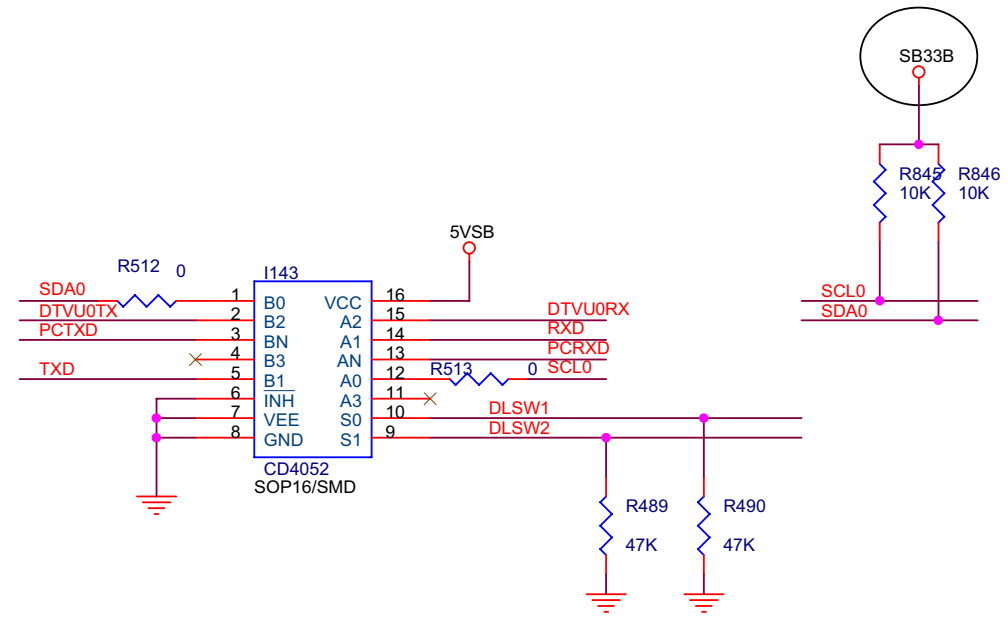
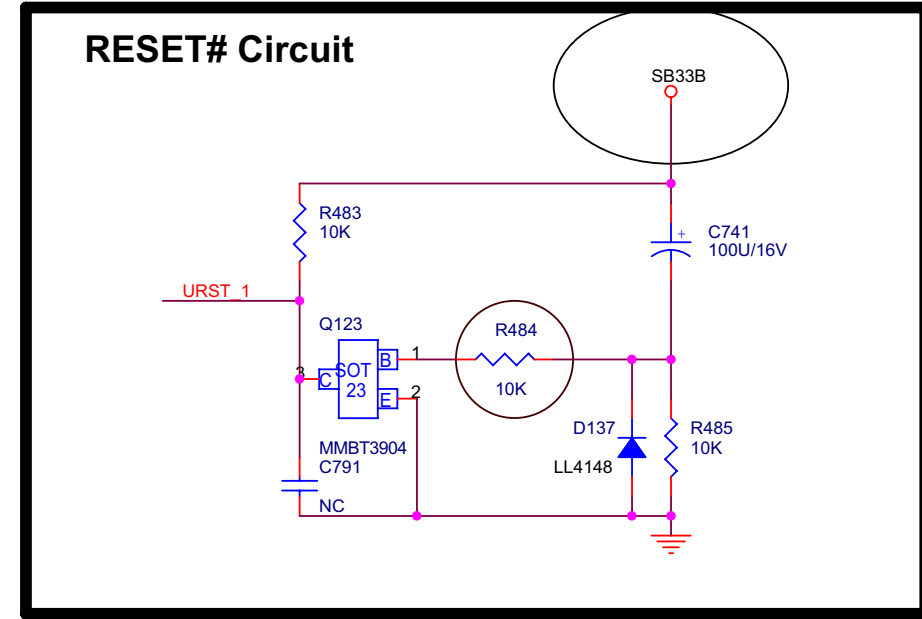
8.25. PANEL INTERFACE



8.26. SYSTEM EEPROM

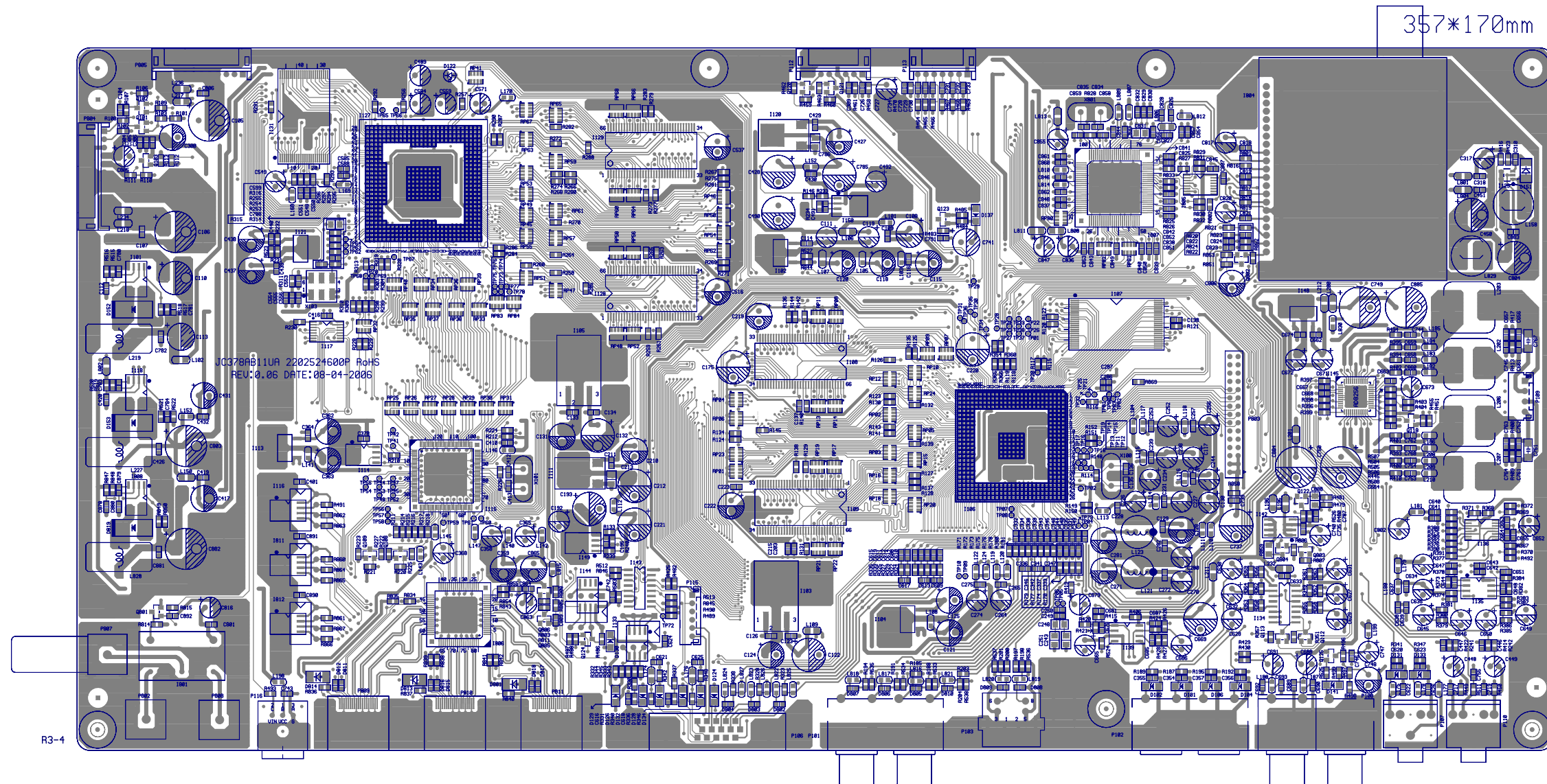


SCL	>>>SCL	3,10,13,23
SDA	>>>SDA	3,10,13,23
PCTXD	>>>PCTXD	22
PCRXD	>>>PCRXD	22
DLSW1	>>>DLSW1	22
DLSW2	>>>DLSW2	22
TXD	>>>TXD	3
RXD	>>>RXD	3
URST_1	>>>URST_1	3
GPIO4	>>>GPIO4	3
DTVU0TX	>>>DTVU0TX	12
DTVU0RX	>>>DTVU0RX	12
SCL0	>>>SCL0	3
SDA0	>>>SDA0	3



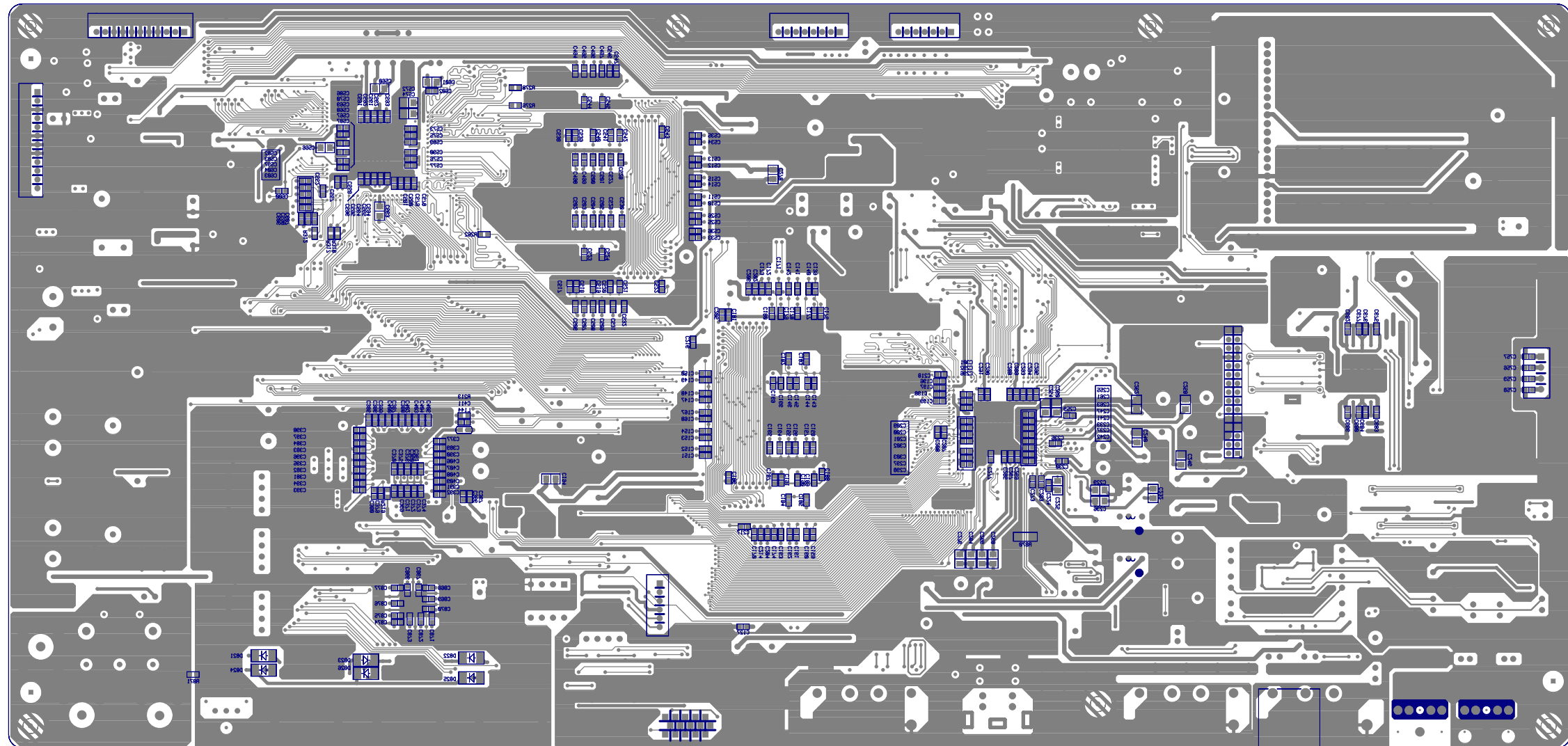
9. PCB Layout Diagrams

9.1. MAIN PCB TOP VIEW

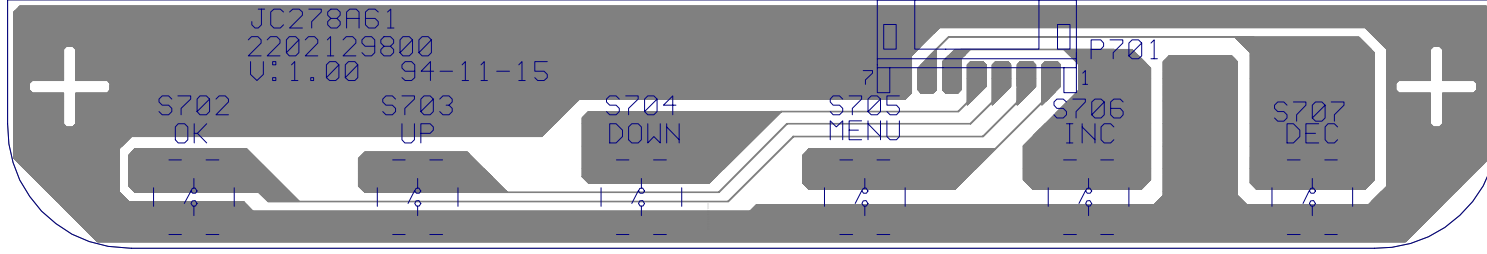


9.2. MAIN PCB BOTTOM VIEW

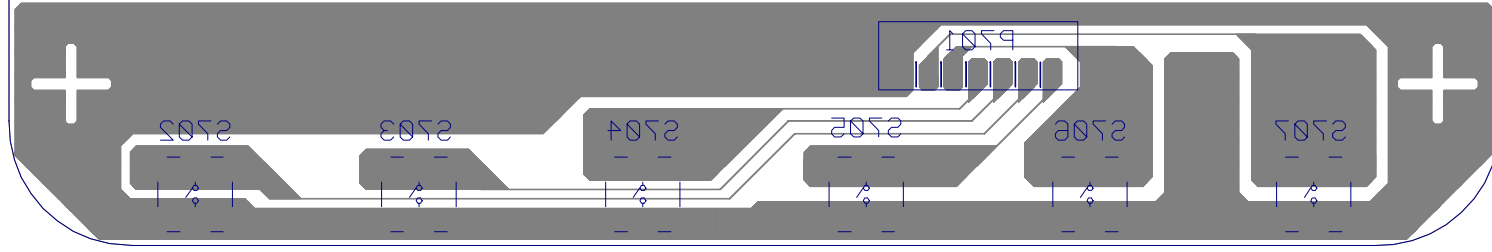
357*170mm



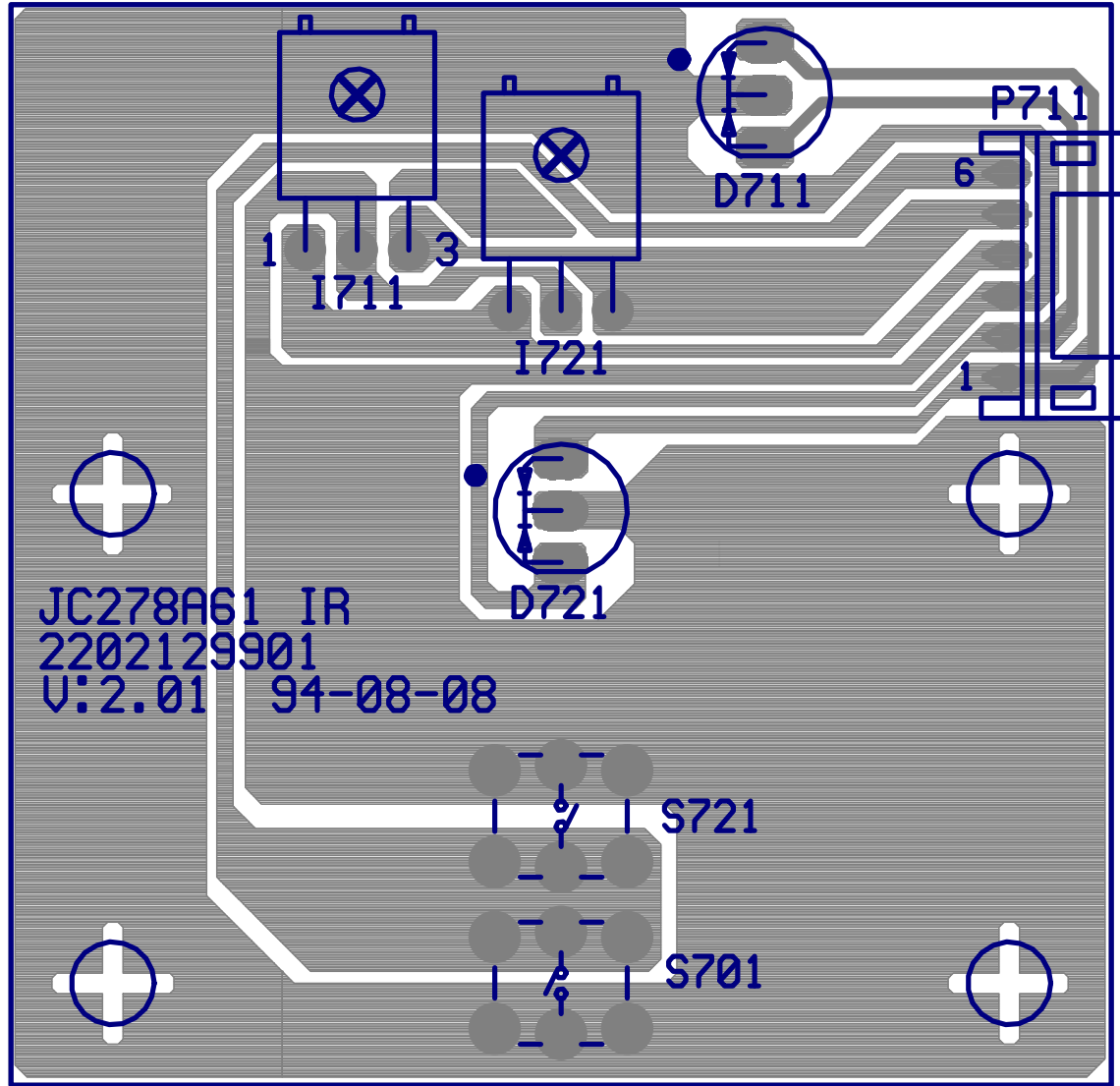
9.3. CON PCB TOP VIEW



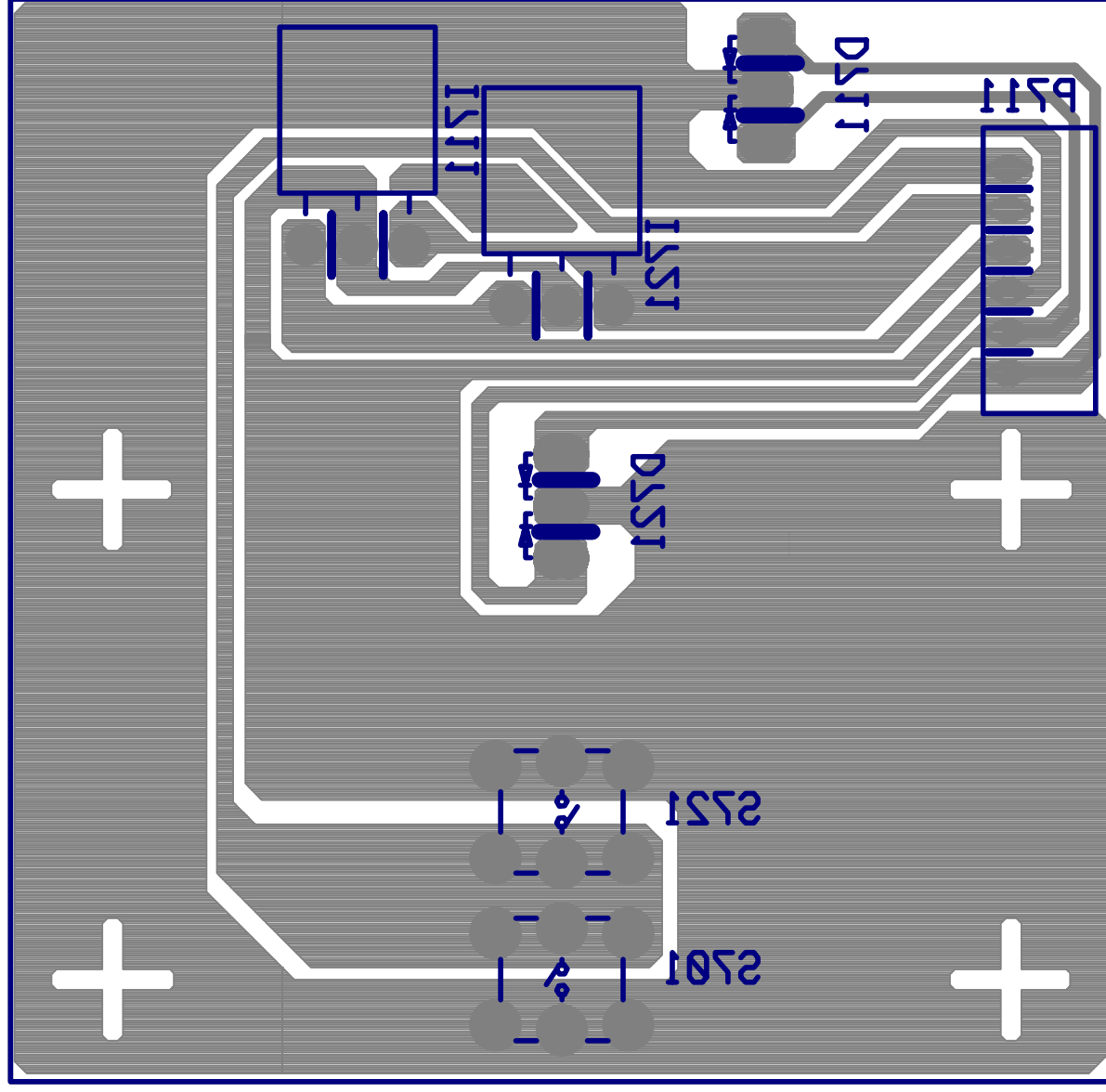
9.4. CON PCB BOTTOM VIEW



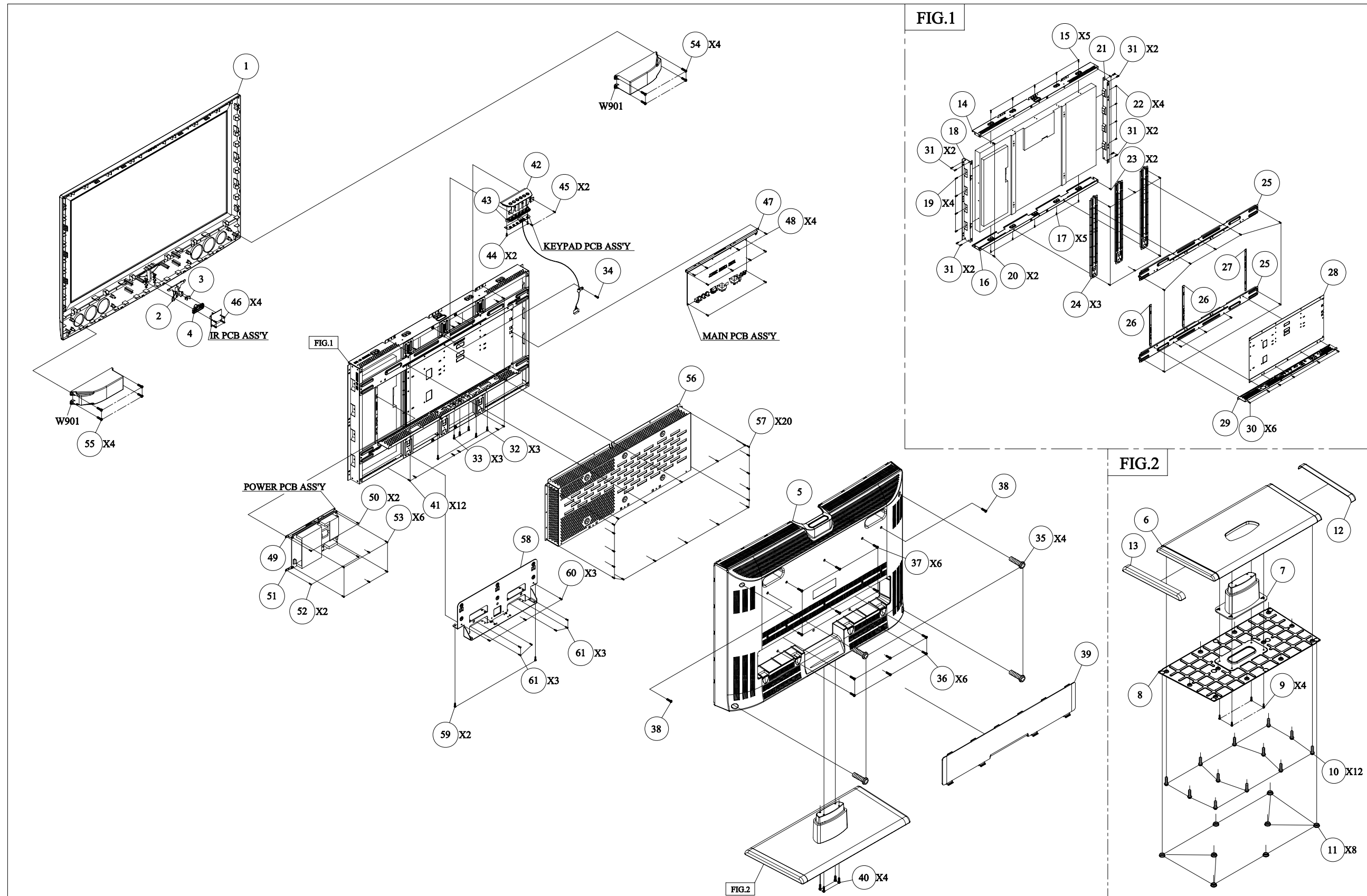
9.5. IR PCB TOP VIEW

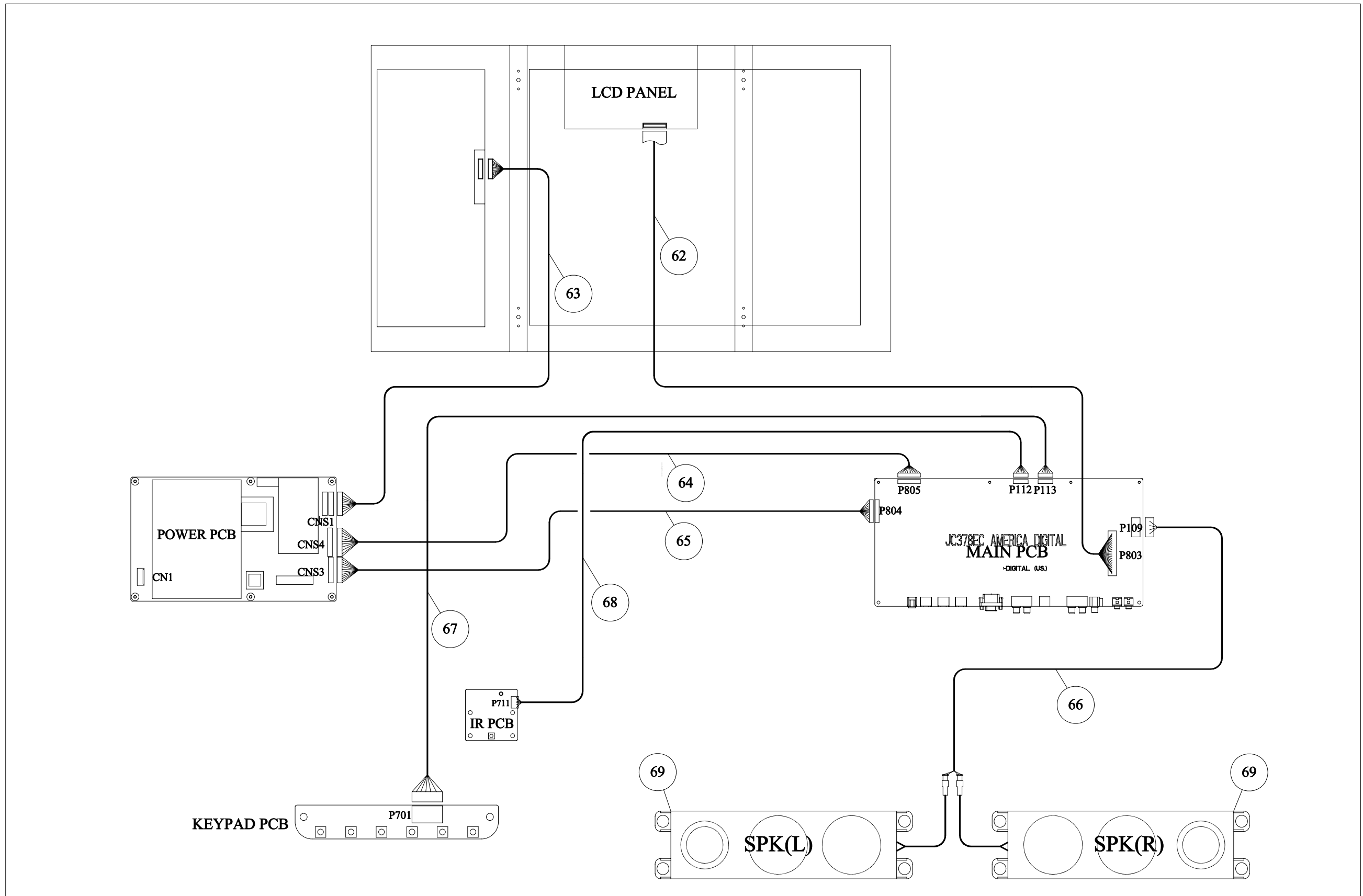


9.6. IR PCB BOTTOM VIEW



10. Exploded View And Exploded Parts List





EXPLODED PARTS LIST (N3752w-1M)

ViewSonic Model Number: VS11405-1M

Rev: 1a

Serial No. Prefix: QFU

Item	ViewSonic P/N	Ref. P/N	Description		Q'ty
1	N/A	2024271106P	FRONT BEZEL	JC378UB ABS94HB BLACK	1
2	N/A	2033151400P	IR COVER	JC378UB PC LIMPID 476C	1
3	N/A	2053754201P	LED INDIC.-PWR	JC278UB PMMA LIMPID	1
4	N/A	2044266901P	FUNCTION KEY	JC278UB ABS 94V0 AL-PLATE PWR	1
5	C-00008082	2022265104P	CABI BACK	JC378EC UA DIGIT 94HB BLACK	1
6	PL-00008027	2028260602P	STAND	JC378UB ABS94HB BLACK	1
7	N/A	2071871701P	BRACKET, FIX	AL-BLACK ARM	1
8	HW-00008018	2071882200P	BRACKET, FIX	JC378UB STAND SECC 2.0T	1
9	N/A	2082340102P	SCREW, CSK+	SCREW F M4X10 (CSK+)	4
10	M-SCW-0824-0123	2084740102P	SCREW, BND T+	M4X10(BND T+)	12
11	N/A	2039819901P	FOOT PAD	RUBBER ϕ 16*2.0+ SQUARE GRAIN	8
12	N/A	2054257101P	ORNAMENT	JC378UB BASE(L) 94HB AL-PLATE	1
13	N/A	2054257201P	ORNAMENT	JC378UB BASE(R) 94HB AL-PLATE	1
14	N/A	2071978100P	METAL FITTG	JC378EC CPT WA02 TOP SECC1.0T	1
15	N/A	2082740082P	SCREW, BND+	M4X8(BND+)	5
16	N/A	2071978100P	METAL FITTG	JC378EC CPT WA02 TOP SECC1.0T	1
17	N/A	2082740082P	SCREW, BND+	M4X8(BND+)	5
18	N/A	2071978200P	METAL FITTG	JC378EC CPT WA02 SIDE SECC1.0T	1
19	N/A	2082740082P	SCREW, BND+	M4X8(BND+)	4
20	N/A	2081440082P	SCREW, (WASH)	M4X8 P=0.7(TOOTH WASHER)	2
21	N/A	2071978200P	METAL FITTG	JC378EC CPT WA02 SIDE SECC1.0T	1
22	N/A	2082740082P	SCREW, BND+	M4X8(BND+)	4
23	N/A	2081440082P	SCREW, (WASH)	M4X8 P=0.7(TOOTH WASHER)	2
24	N/A	2071878000P	BRACKET, FIX	JC378EC FRAME VERT SECC1.0T	3
25	N/A	2071877900P	BRACKET, FIX	JC378EC FRAME HORI SECC1.0T	2
26	N/A	2071879600P	BRACKET, FIX	JC378EC FRAME SUB VERT SECC0.8	2
27	N/A	2071881600P	BRACKET, FIX	JC378EC POWER PCB(V) SECC 0.8T	1
28	N/A	2071675900P	SHIELD PLATE	JC378EC PCB BOTTOM SPTE 0.3T	1
29	N/A	2072052100P	METAL FITTG-I/O	JC378EC SECC1.0T AMERICA DIGIT	1
30	M-SCW-0824-6719	2082630062P	SCREW	M3X6 P=0.5	6
31	N/A	2081440082P	SCREW, (WASH)	M4X8 P=0.7(TOOTH WASHER)	8
32	M-SCW-0824-6719	2082630062P	SCREW	M3X6 P=0.5	3
33	M-SCW-0824-0285	2084730082P	SCREW, BND T+	M3X8(BND T+)	3
34	M-SCW-0824-0811	2080003700P	SCREW, SPE	ISZZTER001A M3*6L MSWR17/FZMYI	1
35	N/A	2081440084P	SCREW, (WASH)	M4*8 P=0.7(TOOTH WASHER) BLACK	4
36	N/A	2082340102P	SCREW, CSK+	SCREW F M4X10 (CSK+)	6
37	N/A	2080005900P	SCREW, SPE	M6*10MM TYPE""I"" BLACK ZN	6
38	N/A	2084740104P	SCREW, BND T+	M4X10(BND T+) (BLK)	2
39	C-00006612	2027262502P	DUST COVER	JC378EC I/O ABS94HB BLACK	1
40	N/A	2082750402P	SCREW, BND+	M5X40, M.P, ZN-CC	4
41	M-SCW-0824-0123	2084740102P	SCREW, BND T+	M4X10(BND T+)	12
42	C-00006611	2027262402P	DUST COVER	JC378EC KEY ABS94HB BLACK	1
43	N/A	2044266601P	FUNCTION KEY	JC278 ABS 94V0 AL-PLATE FUNCTI	1
44	M-SCW-0824-0812	2084730062P	SCREW, BND T+	M3X6(BND T+)	2
45	M-SCW-0824-6719	2082630062P	SCREW	M3X6 P=0.5	2
46	M-SCW-0824-0812	2084730062P	SCREW, BND T+	M3X6(BND T+)	4
47	N/A	2071879801P	BRACKET, FIX	JC378EC MAIN PCB SECC0.8T A.D	1
48	M-SCW-0824-0811	2080003700P	SCREW, SPE	ISZZTER001A M3*6L MSWR17/FZMYI	4
49	N/A	2071879900P	BRACKET, FIX	JC378EC POWER PCB (T) SECC0.8T	1
50	M-SCW-0824-6719	2082630062P	SCREW	M3X6 P=0.5	2
51	N/A	2071880000P	BRACKET, FIX	JC378EC POWER PCB (B) SECC0.8T	1
52	M-SCW-0824-0811	2080003700P	SCREW, SPE	ISZZTER001A M3*6L MSWR17/FZMYI	2
53	M-SCW-0824-0811	2080003700P	SCREW, SPE	ISZZTER001A M3*6L MSWR17/FZMYI	6
54	N/A	2080006900P	SCREW, SPE	M4*10MM P TYPE: 9.1MM	4
55	N/A	2080006900P	SCREW, SPE	M4*10MM P TYPE: 9.1MM	4
56	N/A	2071977000P	METAL FITTG	JC378EC VESA SUPPORT SECC 1.0T	1
57	M-SCW-0824-6719	2082630062P	SCREW	M3X6 P=0.5	20
58	N/A	2071879700P	BRACKET, FIX	JC378EC STAND SUPPORT SECC2.0T	1
59	N/A	2081440082P	SCREW, (WASH)	M4X8 P=0.7(TOOTH WASHER)	2
60	N/A	2081440082P	SCREW, (WASH)	M4X8 P=0.7(TOOTH WASHER)	3
61	M-SCW-0824-0123	2084740102P	SCREW, BND T+	M4X10(BND T+)	6
62	N/A	2427430034P	WIRE HARNESS	30/30P H/H 1571#28 L=400mm	1
63	N/A	2427414011P	WIRE HARNESS	10/14P H/H 1061#26 L=210mm	1
64	N/A	2427411003P	WIRE HARNESS	11/11P H/H 1007#24 L=150mm	1
65	N/A	2427412012P	WIRE HARNESS	12/12P H/H 1007#24 L=150mm	1
66	N/A	2427404025P	WIRE HARNESS	4/2+2P H/A 1007#24 L=820mm	1
67	N/A	2427408014P	WIRE HARNESS	6/8P H/H 1007#26 L=550mm	1
68	N/A	2427407009P	WIRE HARNESS	7/7P H/H 1007#26 L=480mm	1
69	E-00008039	2391310062P	SPEAKER ASS'Y	10W/6ohm L228*W65*H77mm D.L	2

11. Recommended Spare Parts List

RECOMMENDED SPARE PARTS LIST (N3752w-1M)

ViewSonic Model Number: VS11405-1M

Serial No. Prefix: QFU

Item	Description	ECR/ECN	ViewSonic P/N	Ref. P/N	Location	Universal number#
1	Accessories: [Adapter,	Power Cord USA	A-00005362	2427130046P	P951	
2	Remote Control]	Remote Control	A-00008027	2419200105P	H901	
3	PC Board Assembly: [All PCBA]	Sub Board - SP271-5F01 SPI	B-00006605	2200237018P	U801	
4		Main Board	B-00008055	6201-7037151101		
5		Control Board	B-00008056	6202-7037151101		
6		Sub Board (Darfon)	B-00008058	2200237015P	U801	
7		Sub Board (IR Board)	B-00008087	6206-7027146411		
8		Power Supply Board (Lienchen)	B-00008088	2200237017P	U801	
9	Cabinets:	Back Cover (Black)	C-00008082	2022265104P	2C01	
10	[Front Panel, Back Cover, Base]	Front Panel	C-00008119	2603308138	2C01	
11	Cables: [All Cables]	Video IO Cable D15/D15 20276(4.5) 1.83M BLACK	CB-00005507	2427501195P	P961	
12		Video Cable-Cable ,D15/D15 20276(3+6) 1.83M Black	A-VC-0101-0386	2427501187P	P961	
13	Documentation: [Quick Start Guide, CD Rom]	User's Guide	DC-00008104	2001131664P	6P80	
14		Quick Start Guide	DC-00008105	2002310614P	6P81	
15	Electronic Components:	LCD Panel - (CLAA370WA02 CPT)	E-00006614	2212009900P	V901	
16	[CRT-EEPROM, Fly Back Transformer, Microprocessor]	Speaker 10W/60hm	E-00008039	2391310062P	W901	
17	[LCD TV-Panel]	Integrated Circuit	E-00008040	2365104000P	I116	
18	Hardware:	Bracket 2.0T	HW-00008018	2071882200P	5B03	
19	Packing Material: [Box, Foam]	Box (Carton 360X220X50mm (WDXDH) Box(B)	P-00004497	2011100017P	6P85	
20		Foam - EPE (TOP.LEFT)	P-00006616	2012186100P	6P20	
21		Foam - EPE (TOP.RIGHT)	P-00006617	2012186200P	6P21	
22		Foam - EPE (BOTTOM.LEFT)	P-00006618	2012186300P	6P22	
23		Foam - EPE (BOTTOM.RIGHT)	P-00006619	2012186400P	6P23	
24		Polybag	P-00008063	2013054002P	6P60	
25		Craft Box	P-00008102	2011137020P	6P01	
26	Plastics: [All Covers: Dust, Cable, Hinge covers]	Pedestal (Stand)	PL-00008027	2028260602P	5B01	

Remark 1: Above listed items are examples, supplier can expand the rows to add more necessary items.

Remark 2: All revised RSPLs with newly added items or any change made should be highlighted and correlated with the ECN/ECR approved by ViewSonic Corporation. This is

BOM LIST (N3752w-1M)

ViewSonic Model Number: VS11405-1M

Rev: 1a

Serial No. Prefix: QFU

Item	ViewSonic P/N	Ref. P/N	Description	Location	Universal number#	Q'ty
1	N/A	2346710596P	CAP,CHIP 85°C CS 0603/Y5V/16V 1.0u Z T	C104		1
2	N/A	2346110496P	CAP,CHIP 125°C CS 0603/X7R/50V 0.1u K T	C107		1
3	N/A	2346110496P	CAP,CHIP 125°C CS 0603/X7R/50V 0.1u K T	C109		1
4	N/A	2346110496P	CAP,CHIP 125°C CS 0603/X7R/50V 0.1u K T	C112		1
5	N/A	2346110496P	CAP,CHIP 125°C CS 0603/X7R/50V 0.1u K T	C114		1
6	N/A	2346110496P	CAP,CHIP 125°C CS 0603/X7R/50V 0.1u K T	C116		1
7	N/A	2346110496P	CAP,CHIP 125°C CS 0603/X7R/50V 0.1u K T	C123		1
8	N/A	2346110496P	CAP,CHIP 125°C CS 0603/X7R/50V 0.1u K T	C126		1
9	N/A	2346110496P	CAP,CHIP 125°C CS 0603/X7R/50V 0.1u K T	C129		1
10	N/A	2346110496P	CAP,CHIP 125°C CS 0603/X7R/50V 0.1u K T	C133		1
11	N/A	2346110496P	CAP,CHIP 125°C CS 0603/X7R/50V 0.1u K T	C134		1
12	E-C-0404-4423	2341122096P	CAP,CHIP 125°C CS 0603/COG/50V 22p J T	C135		1
13	N/A	2341127096P	CAP,CHIP 125°C CS 0603/COG/50V 27p J T	C136		1
14	N/A	2346110496P	CAP,CHIP 125°C CS 0603/X7R/50V 0.1u K T	C137		1
15	N/A	2346110496P	CAP,CHIP 125°C CS 0603/X7R/50V 0.1u K T	C138		1
16	N/A	2346710596P	CAP,CHIP 85°C CS 0603/Y5V/16V 1.0u Z T	C195		1
17	N/A	2346110496P	CAP,CHIP 125°C CS 0603/X7R/50V 0.1u K T	C203		1
18	N/A	2346110496P	CAP,CHIP 125°C CS 0603/X7R/50V 0.1u K T	C211		1
19	N/A	2347647596P	CAP,CHIP 85°C CS 0805/Y5V/16V 4.7u Z T	C213		1
20	N/A	2346110496P	CAP,CHIP 125°C CS 0603/X7R/50V 0.1u K T	C215		1
21	N/A	2346110496P	CAP,CHIP 125°C CS 0603/X7R/50V 0.1u K T	C223		1
22	N/A	2346710596P	CAP,CHIP 85°C CS 0603/Y5V/16V 1.0u Z T	C228		1
23	N/A	2346710596P	CAP,CHIP 85°C CS 0603/Y5V/16V 1.0u Z T	C231		1
24	N/A	2346710596P	CAP,CHIP 85°C CS 0603/Y5V/16V 1.0u Z T	C239		1
25	N/A	2347710696P	CAP,CHIP 85°C CS 0805/Y5V/10V 10u Z T	C243		1
26	N/A	2346710596P	CAP,CHIP 85°C CS 0603/Y5V/16V 1.0u Z T	C245		1
27	N/A	2347710696P	CAP,CHIP 85°C CS 0805/Y5V/10V 10u Z T	C248		1
28	N/A	2346110496P	CAP,CHIP 125°C CS 0603/X7R/50V 0.1u K T	C249		1
29	N/A	2346110396P	CAP,CHIP 125°C CS 0603/X7R/50V 0.01u K T	C250		1
30	N/A	2347710696P	CAP,CHIP 85°C CS 0805/Y5V/10V 10u Z T	C251		1
31	N/A	2346710596P	CAP,CHIP 85°C CS 0603/Y5V/16V 1.0u Z T	C253		1
32	N/A	2346710596P	CAP,CHIP 85°C CS 0603/Y5V/16V 1.0u Z T	C257		1
33	N/A	2346710596P	CAP,CHIP 85°C CS 0603/Y5V/16V 1.0u Z T	C265		1
34	N/A	2346710596P	CAP,CHIP 85°C CS 0603/Y5V/16V 1.0u Z T	C272		1
35	N/A	2346710596P	CAP,CHIP 85°C CS 0603/Y5V/16V 1.0u Z T	C275		1
36	N/A	2346710596P	CAP,CHIP 85°C CS 0603/Y5V/16V 1.0u Z T	C282		1
37	N/A	2346110496P	CAP,CHIP 125°C CS 0603/X7R/50V 0.1u K T	C286		1
38	N/A	2346110496P	CAP,CHIP 125°C CS 0603/X7R/50V 0.1u K T	C287		1
39	N/A	2346110496P	CAP,CHIP 125°C CS 0603/X7R/50V 0.1u K T	C304		1
40	N/A	2346110496P	CAP,CHIP 125°C CS 0603/X7R/50V 0.1u K T	C305		1
41	N/A	2346110496P	CAP,CHIP 125°C CS 0603/X7R/50V 0.1u K T	C306		1
42	N/A	2341147196P	CAP,CHIP 125°C CS 0603/COG/50V 470p J T	C309		1
43	N/A	2346110496P	CAP,CHIP 125°C CS 0603/X7R/50V 0.1u K T	C310		1
44	N/A	2346110496P	CAP,CHIP 125°C CS 0603/X7R/50V 0.1u K T	C318		1
45	N/A	2346147396P	CAP,CHIP 125°C CS 0603/X7R/50V 0.047u K T	C331		1
46	N/A	2346147296P	CAP,CHIP 125°C CS 0603/X7R/50V 4700p K T	C332		1
47	N/A	2341133196P	CAP,CHIP 125°C CS 0603/COG/50V 330p J T	C333		1
48	N/A	2346110396P	CAP,CHIP 125°C CS 0603/X7R/50V 0.01u K T	C334		1
49	N/A	2346147396P	CAP,CHIP 125°C CS 0603/X7R/50V 0.047u K T	C335		1
50	N/A	2341115096P	CAP,CHIP 125°C CS 0603/COG/50V 15p J T	C336		1
51	N/A	2341133196P	CAP,CHIP 125°C CS 0603/COG/50V 330p J T	C337		1
52	N/A	2346110396P	CAP,CHIP 125°C CS 0603/X7R/50V 0.01u K T	C338		1
53	N/A	2346110396P	CAP,CHIP 125°C CS 0603/X7R/50V 0.01u K T	C339		1
54	N/A	2346147396P	CAP,CHIP 125°C CS 0603/X7R/50V 0.047u K T	C340		1
55	N/A	2341115096P	CAP,CHIP 125°C CS 0603/COG/50V 15p J T	C341		1
56	N/A	2341133196P	CAP,CHIP 125°C CS 0603/COG/50V 330p J T	C342		1
57	N/A	2346110396P	CAP,CHIP 125°C CS 0603/X7R/50V 0.01u K T	C343		1
58	N/A	2346147396P	CAP,CHIP 125°C CS 0603/X7R/50V 0.047u K T	C344		1
59	N/A	2346110396P	CAP,CHIP 125°C CS 0603/X7R/50V 0.01u K T	C345		1
60	N/A	2341133196P	CAP,CHIP 125°C CS 0603/COG/50V 330p J T	C346		1
61	N/A	2341115096P	CAP,CHIP 125°C CS 0603/COG/50V 15p J T	C347		1
62	N/A	2346110396P	CAP,CHIP 125°C CS 0603/X7R/50V 0.01u K T	C348		1
63	N/A	2341156096P	CAP,CHIP 125°C CS 0603/COG/50V 56p J T	C349		1
64	N/A	2346110396P	CAP,CHIP 125°C CS 0603/X7R/50V 0.01u K T	C354		1
65	N/A	2346110396P	CAP,CHIP 125°C CS 0603/X7R/50V 0.01u K T	C355		1
66	N/A	2346110396P	CAP,CHIP 125°C CS 0603/X7R/50V 0.01u K T	C356		1
67	N/A	2346110396P	CAP,CHIP 125°C CS 0603/X7R/50V 0.01u K T	C357		1
68	N/A	2346110496P	CAP,CHIP 125°C CS 0603/X7R/50V 0.1u K T	C364		1
69	N/A	2346110496P	CAP,CHIP 125°C CS 0603/X7R/50V 0.1u K T	C378		1
70	N/A	2346110396P	CAP,CHIP 125°C CS 0603/X7R/50V 0.01u K T	C401		1
71	N/A	2346110496P	CAP,CHIP 125°C CS 0603/X7R/50V 0.1u K T	C410		1
72	N/A	2346110496P	CAP,CHIP 125°C CS 0603/X7R/50V 0.1u K T	C416		1
73	N/A	2346110496P	CAP,CHIP 125°C CS 0603/X7R/50V 0.1u K T	C419		1
74	N/A	2346110496P	CAP,CHIP 125°C CS 0603/X7R/50V 0.1u K T	C420		1

Item	ViewSonic P/N	Ref. P/N	Description	Location	Universal number#	Q'ty
75	N/A	2346110496P	CAP,CHIP 125°C	CS 0603/X7R/50V 0.1u K T	C426	1
76	N/A	2346110496P	CAP,CHIP 125°C	CS 0603/X7R/50V 0.1u K T	C429	1
77	N/A	2346110496P	CAP,CHIP 125°C	CS 0603/X7R/50V 0.1u K T	C430	1
78	N/A	2346110496P	CAP,CHIP 125°C	CS 0603/X7R/50V 0.1u K T	C432	1
79	N/A	2346110496P	CAP,CHIP 125°C	CS 0603/X7R/50V 0.1u K T	C439	1
80	N/A	2346110496P	CAP,CHIP 125°C	CS 0603/X7R/50V 0.1u K T	C440	1
81	N/A	2341110296P	CAP,CHIP 125°C	CS 0603/COG/50V 1000p J T	C446	1
82	N/A	2341110296P	CAP,CHIP 125°C	CS 0603/COG/50V 1000p J T	C447	1
83	N/A	2346110496P	CAP,CHIP 125°C	CS 0603/X7R/50V 0.1u K T	C451	1
84	N/A	2346710596P	CAP,CHIP 85°C	CS 0603/Y5V/16V 1.0u Z T	C491	1
85	N/A	2346110496P	CAP,CHIP 125°C	CS 0603/X7R/50V 0.1u K T	C550	1
86	E-C-0404-3898	2341110096P	CAP,CHIP 125°C	CS 0603/COG/50V 10p J T	C551	1
87	N/A	2346110496P	CAP,CHIP 125°C	CS 0603/X7R/50V 0.1u K T	C553	1
88	N/A	2346110396P	CAP,CHIP 125°C	CS 0603/X7R/50V 0.01u K T	C554	1
89	N/A	2341110296P	CAP,CHIP 125°C	CS 0603/COG/50V 1000p J T	C555	1
90	N/A	2341147096P	CAP,CHIP 125°C	CS 0603/COG/50V 47p J T	C556	1
91	N/A	2346110496P	CAP,CHIP 125°C	CS 0603/X7R/50V 0.1u K T	C585	1
92	N/A	2346110496P	CAP,CHIP 125°C	CS 0603/X7R/50V 0.1u K T	C588	1
93	N/A	2347647596P	CAP,CHIP 85°C	CS 0805/Y5V/16V 4.7u Z T	C599	1
94	N/A	2346110396P	CAP,CHIP 125°C	CS 0603/X7R/50V 0.01u K T	C608	1
95	N/A	2341150996P	CAP,CHIP 125°C	CS 0603/COG/50V 5.0p D T	C609	1
96	N/A	2346110396P	CAP,CHIP 125°C	CS 0603/X7R/50V 0.01u K T	C610	1
97	N/A	2346147296P	CAP,CHIP 125°C	CS 0603/X7R/50V 4700p K T	C611	1
98	N/A	2346110396P	CAP,CHIP 125°C	CS 0603/X7R/50V 0.01u K T	C612	1
99	N/A	2341150996P	CAP,CHIP 125°C	CS 0603/COG/50V 5.0p D T	C613	1
100	N/A	2346110396P	CAP,CHIP 125°C	CS 0603/X7R/50V 0.01u K T	C614	1
101	N/A	2346110396P	CAP,CHIP 125°C	CS 0603/X7R/50V 0.01u K T	C615	1
102	N/A	2341150996P	CAP,CHIP 125°C	CS 0603/COG/50V 5.0p D T	C617	1
103	N/A	2346110396P	CAP,CHIP 125°C	CS 0603/X7R/50V 0.01u K T	C619	1
104	N/A	2346110396P	CAP,CHIP 125°C	CS 0603/X7R/50V 0.01u K T	C620	1
105	N/A	2341150996P	CAP,CHIP 125°C	CS 0603/COG/50V 5.0p D T	C621	1
106	N/A	2341110196P	CAP,CHIP 125°C	CS 0603/COG/50V 100p J T	C622	1
107	N/A	2346110396P	CAP,CHIP 125°C	CS 0603/X7R/50V 0.01u K T	C623	1
108	N/A	2346110396P	CAP,CHIP 125°C	CS 0603/X7R/50V 0.01u K T	C624	1
109	N/A	2341150996P	CAP,CHIP 125°C	CS 0603/COG/50V 5.0p D T	C625	1
110	N/A	2341110196P	CAP,CHIP 125°C	CS 0603/COG/50V 100p J T	C626	1
111	N/A	2346110496P	CAP,CHIP 125°C	CS 0603/X7R/50V 0.1u K T	C633	1
112	N/A	2346110496P	CAP,CHIP 125°C	CS 0603/X7R/50V 0.1u K T	C637	1
113	N/A	2346710596P	CAP,CHIP 85°C	CS 0603/Y5V/16V 1.0u Z T	C638	1
114	N/A	2346110496P	CAP,CHIP 125°C	CS 0603/X7R/50V 0.1u K T	C639	1
115	N/A	2346710596P	CAP,CHIP 85°C	CS 0603/Y5V/16V 1.0u Z T	C640	1
116	N/A	2346110496P	CAP,CHIP 125°C	CS 0603/X7R/50V 0.1u K T	C641	1
117	N/A	2346110496P	CAP,CHIP 125°C	CS 0603/X7R/50V 0.1u K T	C642	1
118	N/A	2346110496P	CAP,CHIP 125°C	CS 0603/X7R/50V 0.1u K T	C643	1
119	N/A	2341147196P	CAP,CHIP 125°C	CS 0603/COG/50V 470p J T	C644	1
120	N/A	2346122296P	CAP,CHIP 125°C	CS 0603/X7R/50V 2200p K T	C647	1
121	N/A	2341147196P	CAP,CHIP 125°C	CS 0603/COG/50V 470p J T	C648	1
122	N/A	2346122296P	CAP,CHIP 125°C	CS 0603/X7R/50V 2200p K T	C651	1
123	N/A	2346110496P	CAP,CHIP 125°C	CS 0603/X7R/50V 0.1u K T	C653	1
124	N/A	2346110496P	CAP,CHIP 125°C	CS 0603/X7R/50V 0.1u K T	C654	1
125	N/A	2346710596P	CAP,CHIP 85°C	CS 0603/Y5V/16V 1.0u Z T	C655	1
126	N/A	2341110296P	CAP,CHIP 125°C	CS 0603/COG/50V 1000p J T	C658	1
127	N/A	2341110296P	CAP,CHIP 125°C	CS 0603/COG/50V 1000p J T	C659	1
128	N/A	2341110296P	CAP,CHIP 125°C	CS 0603/COG/50V 1000p J T	C660	1
129	N/A	2346110496P	CAP,CHIP 125°C	CS 0603/X7R/50V 0.1u K T	C662	1
130	N/A	2341110296P	CAP,CHIP 125°C	CS 0603/COG/50V 1000p J T	C663	1
131	N/A	2346110496P	CAP,CHIP 125°C	CS 0603/X7R/50V 0.1u K T	C664	1
132	N/A	2346110496P	CAP,CHIP 125°C	CS 0603/X7R/50V 0.1u K T	C667	1
133	N/A	2346110496P	CAP,CHIP 125°C	CS 0603/X7R/50V 0.1u K T	C668	1
134	N/A	2346110496P	CAP,CHIP 125°C	CS 0603/X7R/50V 0.1u K T	C674	1
135	N/A	2341115196P	CAP,CHIP 125°C	CS 0603/COG/50V 150p J T	C678	1
136	N/A	2341182196P	CAP,CHIP 125°C	CS 0603/COG/50V 820p J T	C681	1
137	N/A	2341115196P	CAP,CHIP 125°C	CS 0603/COG/50V 150p J T	C685	1
138	N/A	2341182196P	CAP,CHIP 125°C	CS 0603/COG/50V 820p J T	C687	1
139	N/A	2341110296P	CAP,CHIP 125°C	CS 0603/COG/50V 1000p J T	C689	1
140	N/A	2341110296P	CAP,CHIP 125°C	CS 0603/COG/50V 1000p J T	C690	1
141	N/A	2341110296P	CAP,CHIP 125°C	CS 0603/COG/50V 1000p J T	C692	1
142	N/A	2341110296P	CAP,CHIP 125°C	CS 0603/COG/50V 1000p J T	C693	1
143	N/A	2346110496P	CAP,CHIP 125°C	CS 0603/X7R/50V 0.1u K T	C717	1
144	N/A	2346110496P	CAP,CHIP 125°C	CS 0603/X7R/50V 0.1u K T	C719	1
145	N/A	2346110496P	CAP,CHIP 125°C	CS 0603/X7R/50V 0.1u K T	C726	1
146	N/A	2346110496P	CAP,CHIP 125°C	CS 0603/X7R/50V 0.1u K T	C728	1
147	N/A	2346110496P	CAP,CHIP 125°C	CS 0603/X7R/50V 0.1u K T	C729	1
148	N/A	2346110496P	CAP,CHIP 125°C	CS 0603/X7R/50V 0.1u K T	C730	1
149	N/A	2346110496P	CAP,CHIP 125°C	CS 0603/X7R/50V 0.1u K T	C731	1
150	N/A	2346110496P	CAP,CHIP 125°C	CS 0603/X7R/50V 0.1u K T	C732	1
151	N/A	2346110496P	CAP,CHIP 125°C	CS 0603/X7R/50V 0.1u K T	C733	1
152	N/A	2346110496P	CAP,CHIP 125°C	CS 0603/X7R/50V 0.1u K T	C734	1

Item	ViewSonic P/N	Ref. P/N	Description	Location	Universal number#	Q'ty
153	N/A	2346110496P	CAP,CHIP 125°C	CS 0603/X7R/50V 0.1u K T	C739	1
154	N/A	2346110496P	CAP,CHIP 125°C	CS 0603/X7R/50V 0.1u K T	C740	1
155	N/A	2346110496P	CAP,CHIP 125°C	CS 0603/X7R/50V 0.1u K T	C742	1
156	N/A	2346110496P	CAP,CHIP 125°C	CS 0603/X7R/50V 0.1u K T	C743	1
157	N/A	2341110296P	CAP,CHIP 125°C	CS 0603/COG/50V 1000p J T	C744	1
158	N/A	2349133496P	CAP,CHIP	CS 1206/X7R/50V 0.33u K T	C751	1
159	N/A	2341110296P	CAP,CHIP 125°C	CS 0603/COG/50V 1000p J T	C753	1
160	N/A	2341110296P	CAP,CHIP 125°C	CS 0603/COG/50V 1000p J T	C754	1
161	N/A	2346110496P	CAP,CHIP 125°C	CS 0603/X7R/50V 0.1u K T	C755	1
162	N/A	2341110296P	CAP,CHIP 125°C	CS 0603/COG/50V 1000p J T	C762	1
163	N/A	2349133496P	CAP,CHIP	CS 1206/X7R/50V 0.33u K T	C767	1
164	N/A	2341110296P	CAP,CHIP 125°C	CS 0603/COG/50V 1000p J T	C768	1
165	N/A	2346110496P	CAP,CHIP 125°C	CS 0603/X7R/50V 0.1u K T	C780	1
166	N/A	2346110496P	CAP,CHIP 125°C	CS 0603/X7R/50V 0.1u K T	C781	1
167	N/A	2346110496P	CAP,CHIP 125°C	CS 0603/X7R/50V 0.1u K T	C782	1
168	N/A	2346110496P	CAP,CHIP 125°C	CS 0603/X7R/50V 0.1u K T	C783	1
169	N/A	2346110496P	CAP,CHIP 125°C	CS 0603/X7R/50V 0.1u K T	C784	1
170	N/A	2347647596P	CAP,CHIP 85°C	CS 0805/Y5V/16V 4.7u Z T	C786	1
171	E-C-0404-4423	2341122096P	CAP,CHIP 125°C	CS 0603/COG/50V 22p J T	C788	1
172	N/A	2346110496P	CAP,CHIP 125°C	CS 0603/X7R/50V 0.1u K T	C801	1
173	N/A	2346110496P	CAP,CHIP 125°C	CS 0603/X7R/50V 0.1u K T	C806	1
174	N/A	2346110496P	CAP,CHIP 125°C	CS 0603/X7R/50V 0.1u K T	C807	1
175	N/A	2347647596P	CAP,CHIP 85°C	CS 0805/Y5V/16V 4.7u Z T	C808	1
176	N/A	2346110496P	CAP,CHIP 125°C	CS 0603/X7R/50V 0.1u K T	C809	1
177	N/A	2346110496P	CAP,CHIP 125°C	CS 0603/X7R/50V 0.1u K T	C818	1
178	E-C-0404-4424	2346110396P	CAP,CHIP 125°C	CS 0603/X7R/50V 0.01u K T	C819	1
179	N/A	2346110496P	CAP,CHIP 125°C	CS 0603/X7R/50V 0.1u K T	C821	1
180	E-C-0404-4424	2346110396P	CAP,CHIP 125°C	CS 0603/X7R/50V 0.01u K T	C822	1
181	E-C-0404-4424	2346110396P	CAP,CHIP 125°C	CS 0603/X7R/50V 0.01u K T	C823	1
182	N/A	2341115096P	CAP,CHIP 125°C	CS 0603/COG/50V 15p J T	C824	1
183	N/A	2346147396P	CAP,CHIP 125°C	CS 0603/X7R/50V 0.047u K T	C825	1
184	E-C-0404-4424	2346110396P	CAP,CHIP 125°C	CS 0603/X7R/50V 0.01u K T	C826	1
185	N/A	2341147096P	CAP,CHIP 125°C	CS 0603/COG/50V 47p J T	C827	1
186	E-C-0404-4424	2346110396P	CAP,CHIP 125°C	CS 0603/X7R/50V 0.01u K T	C828	1
187	N/A	2346110496P	CAP,CHIP 125°C	CS 0603/X7R/50V 0.1u K T	C829	1
188	N/A	2346110496P	CAP,CHIP 125°C	CS 0603/X7R/50V 0.1u K T	C830	1
189	N/A	2347710696P	CAP,CHIP 85°C	CS 0805/Y5V/10V 10u Z T	C831	1
190	N/A	2346110496P	CAP,CHIP 125°C	CS 0603/X7R/50V 0.1u K T	C832	1
191	N/A	2346110496P	CAP,CHIP 125°C	CS 0603/X7R/50V 0.1u K T	C833	1
192	N/A	2341118096P	CAP,CHIP 125°C	CS 0603/COG/50V 18p J T	C834	1
193	N/A	2341118096P	CAP,CHIP 125°C	CS 0603/COG/50V 18p J T	C835	1
194	N/A	2346110496P	CAP,CHIP 125°C	CS 0603/X7R/50V 0.1u K T	C837	1
195	N/A	2346110496P	CAP,CHIP 125°C	CS 0603/X7R/50V 0.1u K T	C838	1
196	N/A	2346110496P	CAP,CHIP 125°C	CS 0603/X7R/50V 0.1u K T	C839	1
197	N/A	2346110496P	CAP,CHIP 125°C	CS 0603/X7R/50V 0.1u K T	C840	1
198	N/A	2346110496P	CAP,CHIP 125°C	CS 0603/X7R/50V 0.1u K T	C841	1
199	N/A	2346110496P	CAP,CHIP 125°C	CS 0603/X7R/50V 0.1u K T	C842	1
200	N/A	2346110496P	CAP,CHIP 125°C	CS 0603/X7R/50V 0.1u K T	C843	1
201	N/A	2346110496P	CAP,CHIP 125°C	CS 0603/X7R/50V 0.1u K T	C844	1
202	N/A	2346110496P	CAP,CHIP 125°C	CS 0603/X7R/50V 0.1u K T	C845	1
203	N/A	2346110496P	CAP,CHIP 125°C	CS 0603/X7R/50V 0.1u K T	C846	1
204	N/A	2346110496P	CAP,CHIP 125°C	CS 0603/X7R/50V 0.1u K T	C848	1
205	N/A	2346110496P	CAP,CHIP 125°C	CS 0603/X7R/50V 0.1u K T	C849	1
206	N/A	2346110496P	CAP,CHIP 125°C	CS 0603/X7R/50V 0.1u K T	C850	1
207	N/A	2346110496P	CAP,CHIP 125°C	CS 0603/X7R/50V 0.1u K T	C851	1
208	N/A	2346110496P	CAP,CHIP 125°C	CS 0603/X7R/50V 0.1u K T	C852	1
209	N/A	2346110496P	CAP,CHIP 125°C	CS 0603/X7R/50V 0.1u K T	C853	1
210	N/A	2346110496P	CAP,CHIP 125°C	CS 0603/X7R/50V 0.1u K T	C854	1
211	N/A	2346110496P	CAP,CHIP 125°C	CS 0603/X7R/50V 0.1u K T	C856	1
212	N/A	2346110496P	CAP,CHIP 125°C	CS 0603/X7R/50V 0.1u K T	C857	1
213	N/A	2346110496P	CAP,CHIP 125°C	CS 0603/X7R/50V 0.1u K T	C858	1
214	N/A	2346110496P	CAP,CHIP 125°C	CS 0603/X7R/50V 0.1u K T	C859	1
215	N/A	2346110496P	CAP,CHIP 125°C	CS 0603/X7R/50V 0.1u K T	C860	1
216	N/A	2346110496P	CAP,CHIP 125°C	CS 0603/X7R/50V 0.1u K T	C861	1
217	N/A	2346110496P	CAP,CHIP 125°C	CS 0603/X7R/50V 0.1u K T	C862	1
218	N/A	2346110496P	CAP,CHIP 125°C	CS 0603/X7R/50V 0.1u K T	C864	1
219	N/A	2346110496P	CAP,CHIP 125°C	CS 0603/X7R/50V 0.1u K T	C878	1
220	N/A	2346110496P	CAP,CHIP 125°C	CS 0603/X7R/50V 0.1u K T	C881	1
221	N/A	2346110496P	CAP,CHIP 125°C	CS 0603/X7R/50V 0.1u K T	C883	1
222	N/A	2346110496P	CAP,CHIP 125°C	CS 0603/X7R/50V 0.1u K T	C890	1
223	N/A	2346110496P	CAP,CHIP 125°C	CS 0603/X7R/50V 0.1u K T	C891	1
224	N/A	2346110496P	CAP,CHIP 125°C	CS 0603/X7R/50V 0.1u K T	C892	1
225	E-D-0403-1779	2364503996P	DIODE,ZENER SMD	BZV55-C5V6 5% SOD-80C PHILIPS	D124 RA	1
226	E-D-0403-2808	2364505616P	DIODE,ZENER SMD	TZMC5V6 SOD-80 5.2-6.0V VISHAY	D124 RB	1
227	N/A	2364500396P	DIODE,ZENER SMD	RLZ5.6B 5.45-5.73V LL-34 ROHM	D124 RC	1
228	E-D-0403-1779	2364503996P	DIODE,ZENER SMD	BZV55-C5V6 5% SOD-80C PHILIPS	D126 RA	1
229	E-D-0403-2808	2364505616P	DIODE,ZENER SMD	TZMC5V6 SOD-80 5.2-6.0V VISHAY	D126 RB	1
230	N/A	2364500396P	DIODE,ZENER SMD	RLZ5.6B 5.45-5.73V LL-34 ROHM	D126 RC	1

Item	ViewSonic P/N	Ref. P/N	Description	Location	Universal number#	Q'ty
231	E-D-0403-1779	2364503996P	DIODE,ZENER SMD	BZV55-C5V6 5% SOD-80C PHILIPS	D128 RA	1
232	E-D-0403-2808	2364505616P	DIODE,ZENER SMD	TZMC5V6 SOD-80 5.2-6.0V VISHAY	D128 RB	1
233	N/A	2364500396P	DIODE,ZENER SMD	RLZ5.6B 5.45-5.73V LL-34 ROHM	D128 RC	1
234	N/A	2364600496P	DIODE,SWITCH SMD	MM4148 SOD80C GRANDE	D129 RA	1
235	E-00003534	2363600696P	DIODE,SWITCH	RLS4148-T11 SOD80C ROHM	D129 RB	1
236	E-D-0403-1892	2364200896P	DIODE,RECT(SMD)	BAS32L SOD80C PHILIPS	D129 RC	1
237	E-00003830	2364601396P	DIODE,SWITCH SMD	1N4148W-7-F SOD-123 DIODES	D129 RD	1
238	N/A	2364600496P	DIODE,SWITCH SMD	MM4148 SOD80C GRANDE	D130 RA	1
239	E-00003534	2363600696P	DIODE,SWITCH	RLS4148-T11 SOD80C ROHM	D130 RB	1
240	E-D-0403-1892	2364200896P	DIODE,RECT(SMD)	BAS32L SOD80C PHILIPS	D130 RC	1
241	E-00003830	2364601396P	DIODE,SWITCH SMD	1N4148W-7-F SOD-123 DIODES	D130 RD	1
242	E-D-0403-1779	2364503996P	DIODE,ZENER SMD	BZV55-C5V6 5% SOD-80C PHILIPS	D132 RA	1
243	E-D-0403-2808	2364505616P	DIODE,ZENER SMD	TZMC5V6 SOD-80 5.2-6.0V VISHAY	D132 RB	1
244	N/A	2364500396P	DIODE,ZENER SMD	RLZ5.6B 5.45-5.73V LL-34 ROHM	D132 RC	1
245	E-D-0403-1779	2364503996P	DIODE,ZENER SMD	BZV55-C5V6 5% SOD-80C PHILIPS	D134 RA	1
246	E-D-0403-2808	2364505616P	DIODE,ZENER SMD	TZMC5V6 SOD-80 5.2-6.0V VISHAY	D134 RB	1
247	N/A	2364500396P	DIODE,ZENER SMD	RLZ5.6B 5.45-5.73V LL-34 ROHM	D134 RC	1
248	N/A	2364600496P	DIODE,SWITCH SMD	MM4148 SOD80C GRANDE	D137 RA	1
249	E-00003534	2363600696P	DIODE,SWITCH	RLS4148-T11 SOD80C ROHM	D137 RB	1
250	E-D-0403-1892	2364200896P	DIODE,RECT(SMD)	BAS32L SOD80C PHILIPS	D137 RC	1
251	E-00003830	2364601396P	DIODE,SWITCH SMD	1N4148W-7-F SOD-123 DIODES	D137 RD	1
252	N/A	2364302196P	DIODE,SCHOTTKY(SMD)	SR36(3A/60V) DO-214AA MOSPEC	D151	1
253	N/A	2364302396P	DIODE,SCHOTTKY(SMD)	SR54 DO-214AA MOSPEC	D152	1
254	N/A	2364302396P	DIODE,SCHOTTKY(SMD)	SR54 DO-214AA MOSPEC	D153	1
255	N/A	2364302496P	DIODE,SCHOTTKY(SMD)	SM17 DO-214AC MOSPEC	D801	1
256	N/A	2349900996P	CAP,CHIP SPEC	0603V-PORT 10P+-10% INPAQ	D802	1
257	N/A	2349900996P	CAP,CHIP SPEC	0603V-PORT 10P+-10% INPAQ	D803	1
258	N/A	2349900996P	CAP,CHIP SPEC	0603V-PORT 10P+-10% INPAQ	D804	1
259	N/A	2349900996P	CAP,CHIP SPEC	0603V-PORT 10P+-10% INPAQ	D805	1
260	N/A	2349900996P	CAP,CHIP SPEC	0603V-PORT 10P+-10% INPAQ	D806	1
261	N/A	2349900996P	CAP,CHIP SPEC	0603V-PORT 10P+-10% INPAQ	D807	1
262	N/A	2349900996P	CAP,CHIP SPEC	0603V-PORT 10P+-10% INPAQ	D808	1
263	N/A	2349900996P	CAP,CHIP SPEC	0603V-PORT 10P+-10% INPAQ	D809	1
264	N/A	2349900996P	CAP,CHIP SPEC	0603V-PORT 10P+-10% INPAQ	D810	1
265	N/A	2349901396P	CAP,CHIP SPEC	EGA10603V05A1-B INPAQ	D811	1
266	N/A	2349901396P	CAP,CHIP SPEC	EGA10603V05A1-B INPAQ	D812	1
267	N/A	2364302496P	DIODE,SCHOTTKY(SMD)	SM17 DO-214AC MOSPEC	D813	1
268	N/A	2364302496P	DIODE,SCHOTTKY(SMD)	SM17 DO-214AC MOSPEC	D814	1
269	N/A	2349901396P	CAP,CHIP SPEC	EGA10603V05A1-B INPAQ	D815	1
270	N/A	2349901396P	CAP,CHIP SPEC	EGA10603V05A1-B INPAQ	D816	1
271	N/A	2349901396P	CAP,CHIP SPEC	EGA10603V05A1-B INPAQ	D817	1
272	N/A	2349901396P	CAP,CHIP SPEC	EGA10603V05A1-B INPAQ	D818	1
273	N/A	2364302396P	DIODE,SCHOTTKY(SMD)	SR54 DO-214AA MOSPEC	D819	1
274	N/A	2365425376P	DIGITAL IC	AP1510SA SOT-8L AnaChip	I101	1
275	N/A	2365814296P	IC,LINEAR(SMD)	AP1117ELA SOT-223 AnaChip	I102 RA	1
276	N/A	2365335096P	LINEAR IC	AIC1117APY SOT-223 AIC	I102 RB	1
277	N/A	2365809396P	IC,LINEAR(SMD)	CM1117CM-ADJ SOT223 CHAMPION	I102 RC	1
278	N/A	2365810796P	IC,LINEAR(SMD)	AP1084K33LA TO-263 ATC	I103 RA	1
279	N/A	2365807496P	IC,LINEAR(SMD)	AIC1084-33PM TO-263 AIC	I103 RB	1
280	N/A	2365809196P	IC,LINEAR(SMD)	CM1084SCN263 TO263 CHAMPION	I103 RC	1
281	N/A	2365813696P	IC,LINEAR(SMD)	AP1117E18LA SOT-223 AnaChip	I104 RA	1
282	N/A	2365335086P	LINEAR IC	AIC1117A-18PY SOT223 AIC	I104 RB	1
283	N/A	2365335076P	LINEAR IC	CM1117GDCM223 SOT223 CHAMPION	I104 RC	1
284	N/A	2365810796P	IC,LINEAR(SMD)	AP1084K33LA TO-263 ATC	I105 RA	1
285	N/A	2365807496P	IC,LINEAR(SMD)	AIC1084-33PM TO-263 AIC	I105 RB	1
286	N/A	2365809196P	IC,LINEAR(SMD)	CM1084SCN263 TO263 CHAMPION	I105 RC	1
287	N/A	2365425786P	DIGITAL IC	MT8202AG-BD-L BGA-388 MTK	I106	1
288	N/A	2365107096P	MEMORY IC	EN29LV160AT-70TCP TSOP-48 EON	I107	1
289	N/A	2365107396P	MEMORY IC (SDRAM)	M13S128168A-5TG TSOP-66 ESMT	I108	1
290	N/A	2365107396P	MEMORY IC (SDRAM)	M13S128168A-5TG TSOP-66 ESMT	I109	1
291	N/A	2365335446P	LINEAR IC	AP1084D25LA TO-252 ANACHIP	I111 RA	1
292	N/A	2365335456P	LINEAR IC	AIC1084-25PE TO-252 AIC	I111 RB	1
293	N/A	2365335466P	LINEAR IC	AMC7585-2.5SJFT TO-252 ADD	I111 RC	1
294	N/A	2365813696P	IC,LINEAR(SMD)	AP1117E18LA SOT-223 AnaChip	I113 RA	1
295	N/A	2365335086P	LINEAR IC	AIC1117A-18PY SOT223 AIC	I113 RB	1
296	N/A	2365335076P	LINEAR IC	CM1117GDCM223 SOT223 CHAMPION	I113 RC	1
297	N/A	2365904096P	IC,DIGITAL SMD	24LC04B/SN SO-8 MICROCHIP	I114 RA	1
298	N/A	2365903996P	IC,DIGITAL SMD	AT24C04N-10SU-2.7 SO8 ATMEL	I114 RB	1
299	N/A	2365425346P	DIGITAL IC	MT8293AE-L QFP-128 MTK	I115	1
300	N/A	2365425396P	DIGITAL IC	IDTQS3VH257PAG8 TSSOP-16 IDT	I117 RA	1
301	N/A	2365425516P	DIGITAL IC	74LCX257MTCX TSSOP16 FAIRCHILD	I117 RB	1
302	N/A	2365425376P	DIGITAL IC	AP1510SA SOT-8L AnaChip	I118	1
303	N/A	2365335446P	LINEAR IC	AP1084D25LA TO-252 ANACHIP	I120 RA	1
304	N/A	2365335456P	LINEAR IC	AIC1084-25PE TO-252 AIC	I120 RB	1
305	N/A	2365335466P	LINEAR IC	AMC7585-2.5SJFT TO-252 ADD	I120 RC	1
306	N/A	2365814296P	IC,LINEAR(SMD)	AP1117ELA SOT-223 AnaChip	I121 RA	1
307	N/A	2365335096P	LINEAR IC	AIC1117APY SOT-223 AIC	I121 RB	1
308	N/A	2365809396P	IC,LINEAR(SMD)	CM1117CM-ADJ SOT223 CHAMPION	I121 RC	1

Item	ViewSonic P/N	Ref. P/N	Description	Location	Universal number#	Q'ty
309	N/A	2365425386P	DIGITAL IC AP1522WA SOT23-5L AnaChip	I123		1
310	N/A	2365425366P	DIGITAL IC MT5351AG-L BGA-471 MTK	I127		1
311	N/A	2365107196P	MEMORY IC (SDRAM) NT5DS16M16CS-5T TSSOP66 NANYA	I128		1
312	N/A	2365107196P	MEMORY IC (SDRAM) NT5DS16M16CS-5T TSSOP66 NANYA	I129		1
313	N/A	2365106996P	MEMORY IC (FLASH) EN29LV320T-70TCP TSOP-48 EON	I131		1
314	N/A	2365814796P	IC,LINEAR(SMD) HEF4052BTR SO-16 PHILIPS	I134		1
315	N/A	2365425416P	DIGITAL IC NJM4558M DMP8 JRC	I135		1
316	N/A	236542536P	DIGITAL IC AD12250A TSSOP-16 ESMT	I136		1
317	N/A	2365425416P	DIGITAL IC NJM4558M DMP8 JRC	I139		1
318	E-00000915	2360501196P	FET,P-CH SMD AP9435GM SO-8 APEC	I142 RA		1
319	E-00003529	2360501796P	FET,P-CH SMD APM9435KC SO-8 Anpec	I142 RB		1
320	E-00000916	2360501596P	FET,P-CH SMD AO4405 SO-8 AOS	I142 RC		1
321	N/A	2365425436P	DIGITAL IC 74HC4052D SO-16 PHILIPS	I143		1
322	N/A	2365425446P	DIGITAL IC AD8256A QFN-48L Advanic	I145		1
323	E-IC-0401-2924	2365808196P	IC,LINEAR(SMD) AP1117E33LA SOT-223 AnaChip	I148 RA		1
324	N/A	2365808396P	IC,LINEAR(SMD) AIC1117-33PY SOT-223 AIC	I148 RB		1
325	N/A	2365809496P	IC,LINEAR(SMD) CM1117SCM-3.3V SOT223 CHAMPION	I148 RC		1
326	N/A	2365807196P	IC,LINEAR(SMD) AMC1117-3.3 SOT-223 ADD	I148 RD		1
327	N/A	2365425856P	DIGITAL IC RT9173PS SOP-8 RICHTEK	I149		1
328	N/A	2365425856P	DIGITAL IC RT9173PS SOP-8 RICHTEK	I150		1
329	N/A	2365425396P	DIGITAL IC IDTQS3VH257PAG8 TSSOP-16 IDT	I805		1
330	N/A	2365425816P	DIGITAL IC TMDS341A QFPD-80 TEXAS	I806		1
331	N/A	2365425796P	DIGITAL IC MT5112BD-L TQFP-100 MTK	I807		1
332	N/A	2365425376P	DIGITAL IC AP1510SA SOT-8L AnaChip	I808		1
333	N/A	2379512106P	BEAD,HI-CURRENT Z= 120 ohm 0603 I=3.0A	L101		1
334	N/A	2379500296P	BEAD,HI-CURRENT Z= 120 ohm 0805 I=6.0A	L102		1
335	N/A	2379360006P	BEAD,HI-IMPEDANCE Z= 60 ohm(200MHZ~) 0603 300mA	L103		1
336	N/A	2379512106P	BEAD,HI-CURRENT Z= 120 ohm 0603 I=3.0A	L104		1
337	N/A	2379360006P	BEAD,HI-IMPEDANCE Z= 60 ohm(200MHZ~) 0603 300mA	L105		1
338	N/A	2379500296P	BEAD,HI-CURRENT Z= 120 ohm 0805 I=6.0A	L106		1
339	N/A	2379500296P	BEAD,HI-CURRENT Z= 120 ohm 0805 I=6.0A	L107		1
340	N/A	2379360006P	BEAD,HI-IMPEDANCE Z= 60 ohm(200MHZ~) 0603 300mA	L108		1
341	N/A	2379500296P	BEAD,HI-CURRENT Z= 120 ohm 0805 I=6.0A	L109		1
342	N/A	2379360006P	BEAD,HI-IMPEDANCE Z= 60 ohm(200MHZ~) 0603 300mA	L110		1
343	N/A	2379512106P	BEAD,HI-CURRENT Z= 120 ohm 0603 I=3.0A	L111		1
344	N/A	2379512106P	BEAD,HI-CURRENT Z= 120 ohm 0603 I=3.0A	L112		1
345	N/A	2379360006P	BEAD,HI-IMPEDANCE Z= 60 ohm(200MHZ~) 0603 300mA	L113		1
346	N/A	2379512106P	BEAD,HI-CURRENT Z= 120 ohm 0603 I=3.0A	L114		1
347	N/A	2379360006P	BEAD,HI-IMPEDANCE Z= 60 ohm(200MHZ~) 0603 300mA	L115		1
348	N/A	2379360006P	BEAD,HI-IMPEDANCE Z= 60 ohm(200MHZ~) 0603 300mA	L116		1
349	N/A	2379512106P	BEAD,HI-CURRENT Z= 120 ohm 0603 I=3.0A	L117		1
350	N/A	2379360006P	BEAD,HI-IMPEDANCE Z= 60 ohm(200MHZ~) 0603 300mA	L118		1
351	N/A	2379360006P	BEAD,HI-IMPEDANCE Z= 60 ohm(200MHZ~) 0603 300mA	L119		1
352	N/A	2379360006P	BEAD,HI-IMPEDANCE Z= 60 ohm(200MHZ~) 0603 300mA	L120		1
353	N/A	2379360006P	BEAD,HI-IMPEDANCE Z= 60 ohm(200MHZ~) 0603 300mA	L122		1
354	N/A	2379360006P	BEAD,HI-IMPEDANCE Z= 60 ohm(200MHZ~) 0603 300mA	L124		1
355	N/A	2379512106P	BEAD,HI-CURRENT Z= 120 ohm 0603 I=3.0A	L140		1
356	N/A	2379512106P	BEAD,HI-CURRENT Z= 120 ohm 0603 I=3.0A	L141		1
357	N/A	2379512106P	BEAD,HI-CURRENT Z= 120 ohm 0603 I=3.0A	L142		1
358	N/A	2379512106P	BEAD,HI-CURRENT Z= 120 ohm 0603 I=3.0A	L143		1
359	N/A	2379360006P	BEAD,HI-IMPEDANCE Z= 60 ohm(200MHZ~) 0603 300mA	L145		1
360	N/A	2379360006P	BEAD,HI-IMPEDANCE Z= 60 ohm(200MHZ~) 0603 300mA	L146		1
361	N/A	2379360006P	BEAD,HI-IMPEDANCE Z= 60 ohm(200MHZ~) 0603 300mA	L147		1
362	N/A	2379500296P	BEAD,HI-CURRENT Z= 120 ohm 0805 I=6.0A	L150		1
363	N/A	2379512106P	BEAD,HI-CURRENT Z= 120 ohm 0603 I=3.0A	L152		1
364	N/A	2379512106P	BEAD,HI-CURRENT Z= 120 ohm 0603 I=3.0A	L153		1
365	N/A	2370101696P	COIL,CHOKE SMD YC5D18T100M 10uH YOUTH	L158		1
366	N/A	2379512106P	BEAD,HI-CURRENT Z= 120 ohm 0603 I=3.0A	L168		1
367	N/A	2379360006P	BEAD,HI-IMPEDANCE Z= 60 ohm(200MHZ~) 0603 300mA	L169		1
368	N/A	2379360006P	BEAD,HI-IMPEDANCE Z= 60 ohm(200MHZ~) 0603 300mA	L170		1
369	N/A	2379822106P	BEAD,HI-IMPEDANCE Z= 220 ohm(200MHZ~) 0805 200mA	L174		1
370	N/A	2379512106P	BEAD,HI-CURRENT Z= 120 ohm 0603 I=3.0A	L175		1
371	N/A	2379822106P	BEAD,HI-IMPEDANCE Z= 220 ohm(200MHZ~) 0805 200mA	L176		1
372	N/A	2379360006P	BEAD,HI-IMPEDANCE Z= 60 ohm(200MHZ~) 0603 300mA	L177		1
373	N/A	2379512106P	BEAD,HI-CURRENT Z= 120 ohm 0603 I=3.0A	L178		1
374	N/A	2379512106P	BEAD,HI-CURRENT Z= 120 ohm 0603 I=3.0A	L179		1
375	N/A	2379512106P	BEAD,HI-CURRENT Z= 120 ohm 0603 I=3.0A	L180		1
376	N/A	2379512106P	BEAD,HI-CURRENT Z= 120 ohm 0603 I=3.0A	L181		1
377	N/A	2379512106P	BEAD,HI-CURRENT Z= 120 ohm 0603 I=3.0A	L182		1
378	N/A	2379512106P	BEAD,HI-CURRENT Z= 120 ohm 0603 I=3.0A	L183		1
379	N/A	2379512106P	BEAD,HI-CURRENT Z= 120 ohm 0603 I=3.0A	L184		1
380	N/A	2379512106P	BEAD,HI-CURRENT Z= 120 ohm 0603 I=3.0A	L185		1
381	N/A	2379512106P	BEAD,HI-CURRENT Z= 120 ohm 0603 I=3.0A	L186		1
382	N/A	2379512106P	BEAD,HI-CURRENT Z= 120 ohm 0603 I=3.0A	L187		1
383	N/A	2379512106P	BEAD,HI-CURRENT Z= 120 ohm 0603 I=3.0A	L188		1
384	N/A	2379500296P	BEAD,HI-CURRENT Z= 120 ohm 0805 I=6.0A	L196		1
385	N/A	2379512106P	BEAD,HI-CURRENT Z= 120 ohm 0603 I=3.0A	L198		1
386	N/A	2379500296P	BEAD,HI-CURRENT Z= 120 ohm 0805 I=6.0A	L200		1

Item	ViewSonic P/N	Ref. P/N	Description	Location	Universal number#	Q'ty
387	N/A	2379500296P	BEAD,HI-CURRENT Z= 120 ohm 0805 I=6.0A	L201		1
388	N/A	2370115016P	COIL CHOKE SMD 15uH 12.3*12.3*4.5 YOUTH	L202		1
389	N/A	2370115016P	COIL CHOKE SMD 15uH 12.3*12.3*4.5 YOUTH	L203		1
390	N/A	2370115016P	COIL CHOKE SMD 15uH 12.3*12.3*4.5 YOUTH	L206		1
391	N/A	2370115016P	COIL CHOKE SMD 15uH 12.3*12.3*4.5 YOUTH	L207		1
392	N/A	2379512106P	BEAD,HI-CURRENT Z= 120 ohm 0603 I=3.0A	L208		1
393	N/A	2379512106P	BEAD,HI-CURRENT Z= 120 ohm 0603 I=3.0A	L209		1
394	N/A	2379512106P	BEAD,HI-CURRENT Z= 120 ohm 0603 I=3.0A	L210		1
395	N/A	2379500296P	BEAD,HI-CURRENT Z= 120 ohm 0805 I=6.0A	L211		1
396	N/A	2379500296P	BEAD,HI-CURRENT Z= 120 ohm 0805 I=6.0A	L212		1
397	N/A	2379500296P	BEAD,HI-CURRENT Z= 120 ohm 0805 I=6.0A	L217		1
398	N/A	2379500296P	BEAD,HI-CURRENT Z= 120 ohm 0805 I=6.0A	L218		1
399	N/A	2379500296P	BEAD,HI-CURRENT Z= 120 ohm 0805 I=6.0A	L232		1
400	N/A	2379500296P	BEAD,HI-CURRENT Z= 120 ohm 0805 I=6.0A	L234		1
401	N/A	2379500296P	BEAD,HI-CURRENT Z= 120 ohm 0805 I=6.0A	L236		1
402	N/A	2379500296P	BEAD,HI-CURRENT Z= 120 ohm 0805 I=6.0A	L801		1
403	N/A	2379500296P	BEAD,HI-CURRENT Z= 120 ohm 0805 I=6.0A	L802		1
404	N/A	2379500296P	BEAD,HI-CURRENT Z= 120 ohm 0805 I=6.0A	L804		1
405	N/A	2377522896P	INDUCTOR CHIP MULTI-LAYER 0.22uH/0805 K T	L806		1
406	N/A	2379512106P	BEAD,HI-CURRENT Z= 120 ohm 0603 I=3.0A	L807		1
407	N/A	2379500296P	BEAD,HI-CURRENT Z= 120 ohm 0805 I=6.0A	L808		1
408	N/A	2379360006P	BEAD,HI-IMPEDANCE Z= 60 ohm(200MHZ~) 0603 300mA	L809		1
409	N/A	2379360006P	BEAD,HI-IMPEDANCE Z= 60 ohm(200MHZ~) 0603 300mA	L810		1
410	N/A	2379500296P	BEAD,HI-CURRENT Z= 120 ohm 0805 I=6.0A	L811		1
411	N/A	2379360006P	BEAD,HI-IMPEDANCE Z= 60 ohm(200MHZ~) 0603 300mA	L812		1
412	N/A	2379500296P	BEAD,HI-CURRENT Z= 120 ohm 0805 I=6.0A	L813		1
413	N/A	2379360006P	BEAD,HI-IMPEDANCE Z= 60 ohm(200MHZ~) 0603 300mA	L814		1
414	N/A	2379512106P	BEAD,HI-CURRENT Z= 120 ohm 0603 I=3.0A	L815		1
415	N/A	2377422996P	INDUCTOR CHIP MULTI-LAYER 2.2uH/0603 K T	L816		1
416	N/A	2377422996P	INDUCTOR CHIP MULTI-LAYER 2.2uH/0603 K T	L817		1
417	N/A	2377422996P	INDUCTOR CHIP MULTI-LAYER 2.2uH/0603 K T	L818		1
418	N/A	2377422996P	INDUCTOR CHIP MULTI-LAYER 2.2uH/0603 K T	L819		1
419	N/A	2377422996P	INDUCTOR CHIP MULTI-LAYER 2.2uH/0603 K T	L820		1
420	N/A	2377422996P	INDUCTOR CHIP MULTI-LAYER 2.2uH/0603 K T	L821		1
421	N/A	2379380006P	BEAD,HI-IMPEDANCE Z= 80 ohm(200MHZ~) 0603 200mA	L822		1
422	N/A	2379380006P	BEAD,HI-IMPEDANCE Z= 80 ohm(200MHZ~) 0603 200mA	L823		1
423	N/A	2379380006P	BEAD,HI-IMPEDANCE Z= 80 ohm(200MHZ~) 0603 200mA	L824		1
424	E-R-0405-6600	2253200096P	RES CHIP 1/10W RC 0603 1/10W 0 ohm J T	L825		1
425	E-R-0405-6600	2253200096P	RES CHIP 1/10W RC 0603 1/10W 0 ohm J T	L826		1
426	E-R-0405-6600	2253200096P	RES CHIP 1/10W RC 0603 1/10W 0 ohm J T	L827		1
427	N/A	2370101696P	COIL CHOKE SMD YC5D18T100M 10uH YOUTH	L829		1
428	N/A	2379360006P	BEAD,HI-IMPEDANCE Z= 60 ohm(200MHZ~) 0603 300mA	L830		1
429	N/A	2407640219P	SOCKET,SMD HDMI HMR47-19P ACON	P809 RA		1
430	N/A	2407640419P	SOCKET,SMD HDMI 908DA2F19FCND03 COXOC	P809 RB		1
431	N/A	2407640219P	SOCKET,SMD HDMI HMR47-19P ACON	P810 RA		1
432	N/A	2407640419P	SOCKET,SMD HDMI 908DA2F19FCND03 COXOC	P810 RB		1
433	N/A	2407640219P	SOCKET,SMD HDMI HMR47-19P ACON	P811 RA		1
434	N/A	2407640419P	SOCKET,SMD HDMI 908DA2F19FCND03 COXOC	P811 RB		1
435	E-Q-0402-1624	2360301696P	XISTOR,NPN R SMD PMBS3904 SOT-23 PHILIPS	Q101 RA		1
436	E-Q-0402-1608	2360300896P	XISTOR,NPN R SMD MMBT3904K SOT-23 FAIRCHILD	Q101 RB		1
437	E-Q-0402-1087	2360301896P	XISTOR,NPN R SMD MMBT3904LT1 SOT23 LRC	Q101 RC		1
438	E-Q-0402-1624	2360301696P	XISTOR,NPN R SMD PMBS3904 SOT-23 PHILIPS	Q101 RD		1
439	E-Q-0402-1624	2360301696P	XISTOR,NPN R SMD PMBS3904 SOT-23 PHILIPS	Q102 RA		1
440	E-Q-0402-1608	2360300896P	XISTOR,NPN R SMD MMBT3904K SOT-23 FAIRCHILD	Q102 RB		1
441	E-Q-0402-1087	2360301896P	XISTOR,NPN R SMD MMBT3904LT1 SOT23 LRC	Q102 RC		1
442	E-Q-0402-1624	2360301696P	XISTOR,NPN R SMD PMBS3904 SOT-23 PHILIPS	Q102 RD		1
443	E-Q-0402-1624	2360301696P	XISTOR,NPN R SMD PMBS3904 SOT-23 PHILIPS	Q103 RA		1
444	E-Q-0402-1608	2360300896P	XISTOR,NPN R SMD MMBT3904K SOT-23 FAIRCHILD	Q103 RB		1
445	E-Q-0402-1087	2360301896P	XISTOR,NPN R SMD MMBT3904LT1 SOT23 LRC	Q103 RC		1
446	E-Q-0402-1624	2360301696P	XISTOR,NPN R SMD PMBS3904 SOT-23 PHILIPS	Q103 RD		1
447	N/A	2360609796P	FET,N-CH(SMD) 2SK2158 SOT-23 NEC	Q108		1
448	N/A	2360609796P	FET,N-CH(SMD) 2SK2158 SOT-23 NEC	Q109		1
449	E-Q-0402-1624	2360301696P	XISTOR,NPN R SMD PMBS3904 SOT-23 PHILIPS	Q112 RA		1
450	E-Q-0402-1608	2360300896P	XISTOR,NPN R SMD MMBT3904K SOT-23 FAIRCHILD	Q112 RB		1
451	E-Q-0402-1087	2360301896P	XISTOR,NPN R SMD MMBT3904LT1 SOT23 LRC	Q112 RC		1
452	E-Q-0402-1624	2360301696P	XISTOR,NPN R SMD PMBS3904 SOT-23 PHILIPS	Q112 RD		1
453	E-Q-0402-1624	2360301696P	XISTOR,NPN R SMD PMBS3904 SOT-23 PHILIPS	Q113 RA		1
454	E-Q-0402-1608	2360300896P	XISTOR,NPN R SMD MMBT3904K SOT-23 FAIRCHILD	Q113 RB		1
455	E-Q-0402-1087	2360301896P	XISTOR,NPN R SMD MMBT3904LT1 SOT23 LRC	Q113 RC		1
456	E-Q-0402-1624	2360301696P	XISTOR,NPN R SMD PMBS3904 SOT-23 PHILIPS	Q113 RD		1
457	E-Q-0402-1624	2360301696P	XISTOR,NPN R SMD PMBS3904 SOT-23 PHILIPS	Q118 RA		1
458	E-Q-0402-1608	2360300896P	XISTOR,NPN R SMD MMBT3904K SOT-23 FAIRCHILD	Q118 RB		1
459	E-Q-0402-1087	2360301896P	XISTOR,NPN R SMD MMBT3904LT1 SOT23 LRC	Q118 RC		1
460	E-Q-0402-1624	2360301696P	XISTOR,NPN R SMD PMBS3904 SOT-23 PHILIPS	Q118 RD		1
461	E-Q-0402-1607	2360100596P	XISTOR,PNP R SMD MMBT3906-NL SOT23 FAIRCHILD	Q120 RA		1
462	N/A	2360100696P	XISTOR,PNP R SMD PMBS3906 SOT-23 PHILIPS	Q120 RB		1
463	E-Q-0402-1607	2360100796P	XISTOR,PNP R SMD MMBT3906-F SOT-23 DIODES	Q120 RC		1
464	E-Q-0402-1607	2360100596P	XISTOR,PNP R SMD MMBT3906-NL SOT23 FAIRCHILD	Q121 RA		1

Item	ViewSonic P/N	Ref. P/N	Description	Location	Universal number#	Q'ty
465	N/A	2360100696P	XISTOR,PNP R SMD	PMBS3906 SOT-23 PHILIPS	Q121 RB	1
466	E-Q-0402-1607	2360100796P	XISTOR,PNP R SMD	MMBT3906-F SOT-23 DIODES	Q121 RC	1
467	E-Q-0402-1624	2360301696P	XISTOR,NPN R SMD	PMBS3904 SOT-23 PHILIPS	Q122 RA	1
468	E-Q-0402-1608	2360300896P	XISTOR,NPN R SMD	MMBT3904K SOT-23 FAIRCHILD	Q122 RB	1
469	E-Q-0402-1087	2360301896P	XISTOR,NPN R SMD	MMBT3904LT1 SOT23 LRC	Q122 RC	1
470	E-Q-0402-1624	2360301696P	XISTOR,NPN R SMD	PMBS3904 SOT-23 PHILIPS	Q122 RD	1
471	E-Q-0402-1624	2360301696P	XISTOR,NPN R SMD	PMBS3904 SOT-23 PHILIPS	Q123 RA	1
472	E-Q-0402-1608	2360300896P	XISTOR,NPN R SMD	MMBT3904K SOT-23 FAIRCHILD	Q123 RB	1
473	E-Q-0402-1087	2360301896P	XISTOR,NPN R SMD	MMBT3904LT1 SOT23 LRC	Q123 RC	1
474	E-Q-0402-1624	2360301696P	XISTOR,NPN R SMD	PMBS3904 SOT-23 PHILIPS	Q123 RD	1
475	E-Q-0402-1624	2360301696P	XISTOR,NPN R SMD	PMBS3904 SOT-23 PHILIPS	Q124 RA	1
476	E-Q-0402-1608	2360300896P	XISTOR,NPN R SMD	MMBT3904K SOT-23 FAIRCHILD	Q124 RB	1
477	E-Q-0402-1087	2360301896P	XISTOR,NPN R SMD	MMBT3904LT1 SOT23 LRC	Q124 RC	1
478	E-Q-0402-1624	2360301696P	XISTOR,NPN R SMD	PMBS3904 SOT-23 PHILIPS	Q124 RD	1
479	E-Q-0402-1624	2360301696P	XISTOR,NPN R SMD	PMBS3904 SOT-23 PHILIPS	Q801 RA	1
480	E-Q-0402-1608	2360300896P	XISTOR,NPN R SMD	MMBT3904K SOT-23 FAIRCHILD	Q801 RB	1
481	E-Q-0402-1087	2360301896P	XISTOR,NPN R SMD	MMBT3904LT1 SOT23 LRC	Q801 RC	1
482	E-Q-0402-1624	2360301696P	XISTOR,NPN R SMD	PMBS3904 SOT-23 PHILIPS	Q801 RD	1
483	N/A	2360302596P	XISTOR,NPN R SMD	2SC2712 SC-59 TOSHIBA	Q802	1
484	E-Q-0402-1624	2360301696P	XISTOR,NPN R SMD	PMBS3904 SOT-23 PHILIPS	Q803 RA	1
485	E-Q-0402-1608	2360300896P	XISTOR,NPN R SMD	MMBT3904K SOT-23 FAIRCHILD	Q803 RB	1
486	E-Q-0402-1087	2360301896P	XISTOR,NPN R SMD	MMBT3904LT1 SOT23 LRC	Q803 RC	1
487	E-Q-0402-1624	2360301696P	XISTOR,NPN R SMD	PMBS3904 SOT-23 PHILIPS	Q803 RD	1
488	E-Q-0402-1624	2360301696P	XISTOR,NPN R SMD	PMBS3904 SOT-23 PHILIPS	Q804 RA	1
489	E-Q-0402-1608	2360300896P	XISTOR,NPN R SMD	MMBT3904K SOT-23 FAIRCHILD	Q804 RB	1
490	E-Q-0402-1087	2360301896P	XISTOR,NPN R SMD	MMBT3904LT1 SOT23 LRC	Q804 RC	1
491	E-Q-0402-1624	2360301696P	XISTOR,NPN R SMD	PMBS3904 SOT-23 PHILIPS	Q804 RD	1
492	E-Q-0402-1624	2360301696P	XISTOR,NPN R SMD	PMBS3904 SOT-23 PHILIPS	Q805 RA	1
493	E-Q-0402-1608	2360300896P	XISTOR,NPN R SMD	MMBT3904K SOT-23 FAIRCHILD	Q805 RB	1
494	E-Q-0402-1087	2360301896P	XISTOR,NPN R SMD	MMBT3904LT1 SOT23 LRC	Q805 RC	1
495	E-Q-0402-1624	2360301696P	XISTOR,NPN R SMD	PMBS3904 SOT-23 PHILIPS	Q805 RD	1
496	N/A	2360502396P	FET,P-CH SMD	APM2301AAC SOT-23 ANPEC	Q806	1
497	N/A	2259275008P	RES,CHIP NETWORKS	8P4R 1/16W 75 ohm J P=0.8	RP01	1
498	N/A	2259222008P	RES,CHIP NETWORKS	8P4R 1/16W 22 ohm J P=0.8	RP02	1
499	N/A	2259222008P	RES,CHIP NETWORKS	8P4R 1/16W 22 ohm J P=0.8	RP03	1
500	N/A	2259275008P	RES,CHIP NETWORKS	8P4R 1/16W 75 ohm J P=0.8	RP04	1
501	N/A	2259222008P	RES,CHIP NETWORKS	8P4R 1/16W 22 ohm J P=0.8	RP05	1
502	N/A	2259275008P	RES,CHIP NETWORKS	8P4R 1/16W 75 ohm J P=0.8	RP06	1
503	N/A	2259247008P	RES,CHIP NETWORKS	8P4R 1/16W 47 ohm J P=0.8	RP07	1
504	N/A	2259275008P	RES,CHIP NETWORKS	8P4R 1/16W 75 ohm J P=0.8	RP08	1
505	N/A	2259247008P	RES,CHIP NETWORKS	8P4R 1/16W 47 ohm J P=0.8	RP09	1
506	N/A	2259247008P	RES,CHIP NETWORKS	8P4R 1/16W 47 ohm J P=0.8	RP10	1
507	N/A	2259275008P	RES,CHIP NETWORKS	8P4R 1/16W 75 ohm J P=0.8	RP11	1
508	N/A	2259247008P	RES,CHIP NETWORKS	8P4R 1/16W 47 ohm J P=0.8	RP12	1
509	N/A	2259275008P	RES,CHIP NETWORKS	8P4R 1/16W 75 ohm J P=0.8	RP13	1
510	N/A	2259275008P	RES,CHIP NETWORKS	8P4R 1/16W 75 ohm J P=0.8	RP14	1
511	N/A	2259247008P	RES,CHIP NETWORKS	8P4R 1/16W 47 ohm J P=0.8	RP15	1
512	N/A	2259247008P	RES,CHIP NETWORKS	8P4R 1/16W 47 ohm J P=0.8	RP16	1
513	N/A	2259275008P	RES,CHIP NETWORKS	8P4R 1/16W 75 ohm J P=0.8	RP17	1
514	N/A	2259247008P	RES,CHIP NETWORKS	8P4R 1/16W 47 ohm J P=0.8	RP18	1
515	N/A	2259275008P	RES,CHIP NETWORKS	8P4R 1/16W 75 ohm J P=0.8	RP19	1
516	N/A	2259247008P	RES,CHIP NETWORKS	8P4R 1/16W 47 ohm J P=0.8	RP20	1
517	N/A	2259275008P	RES,CHIP NETWORKS	8P4R 1/16W 75 ohm J P=0.8	RP21	1
518	N/A	2259275008P	RES,CHIP NETWORKS	8P4R 1/16W 75 ohm J P=0.8	RP22	1
519	N/A	2259275008P	RES,CHIP NETWORKS	8P4R 1/16W 75 ohm J P=0.8	RP23	1
520	N/A	2259222008P	RES,CHIP NETWORKS	8P4R 1/16W 22 ohm J P=0.8	RP24	1
521	N/A	2259233008P	RES,CHIP NETWORKS	8P4R 1/16W 33 ohm J P=0.8	RP25	1
522	N/A	2259233008P	RES,CHIP NETWORKS	8P4R 1/16W 33 ohm J P=0.8	RP26	1
523	N/A	2259233008P	RES,CHIP NETWORKS	8P4R 1/16W 33 ohm J P=0.8	RP27	1
524	N/A	2259233008P	RES,CHIP NETWORKS	8P4R 1/16W 33 ohm J P=0.8	RP28	1
525	N/A	2259233008P	RES,CHIP NETWORKS	8P4R 1/16W 33 ohm J P=0.8	RP29	1
526	N/A	2259233008P	RES,CHIP NETWORKS	8P4R 1/16W 33 ohm J P=0.8	RP30	1
527	N/A	2259233008P	RES,CHIP NETWORKS	8P4R 1/16W 33 ohm J P=0.8	RP31	1
528	N/A	2259233008P	RES,CHIP NETWORKS	8P4R 1/16W 33 ohm J P=0.8	RP32	1
529	N/A	2259233008P	RES,CHIP NETWORKS	8P4R 1/16W 33 ohm J P=0.8	RP33	1
530	N/A	2259233008P	RES,CHIP NETWORKS	8P4R 1/16W 33 ohm J P=0.8	RP34	1
531	N/A	2259233008P	RES,CHIP NETWORKS	8P4R 1/16W 33 ohm J P=0.8	RP35	1
532	N/A	2259233008P	RES,CHIP NETWORKS	8P4R 1/16W 33 ohm J P=0.8	RP36	1
533	N/A	2259233008P	RES,CHIP NETWORKS	8P4R 1/16W 33 ohm J P=0.8	RP37	1
534	N/A	2259233008P	RES,CHIP NETWORKS	8P4R 1/16W 33 ohm J P=0.8	RP38	1
535	N/A	2259233008P	RES,CHIP NETWORKS	8P4R 1/16W 33 ohm J P=0.8	RP39	1
536	N/A	2259233008P	RES,CHIP NETWORKS	8P4R 1/16W 33 ohm J P=0.8	RP41	1
537	N/A	2259222008P	RES,CHIP NETWORKS	8P4R 1/16W 22 ohm J P=0.8	RP45	1
538	N/A	2259275008P	RES,CHIP NETWORKS	8P4R 1/16W 75 ohm J P=0.8	RP46	1
539	N/A	2259247008P	RES,CHIP NETWORKS	8P4R 1/16W 47 ohm J P=0.8	RP47	1
540	N/A	2259275008P	RES,CHIP NETWORKS	8P4R 1/16W 75 ohm J P=0.8	RP48	1
541	N/A	2259222008P	RES,CHIP NETWORKS	8P4R 1/16W 22 ohm J P=0.8	RP49	1
542	N/A	2259275008P	RES,CHIP NETWORKS	8P4R 1/16W 75 ohm J P=0.8	RP50	1

Item	ViewSonic P/N	Ref. P/N	Description	Location	Universal number#	Q'ty
543	N/A	2259247008P	RES_CHIP NETWORKS 8P4R 1/16W 47 ohm J P=0.8	RP51		1
544	N/A	2259275008P	RES_CHIP NETWORKS 8P4R 1/16W 75 ohm J P=0.8	RP52		1
545	N/A	2259222008P	RES_CHIP NETWORKS 8P4R 1/16W 22 ohm J P=0.8	RP53		1
546	N/A	2259275008P	RES_CHIP NETWORKS 8P4R 1/16W 75 ohm J P=0.8	RP54		1
547	N/A	2259247008P	RES_CHIP NETWORKS 8P4R 1/16W 47 ohm J P=0.8	RP55		1
548	N/A	2259275008P	RES_CHIP NETWORKS 8P4R 1/16W 75 ohm J P=0.8	RP56		1
549	N/A	2259247008P	RES_CHIP NETWORKS 8P4R 1/16W 47 ohm J P=0.8	RP57		1
550	N/A	2259275008P	RES_CHIP NETWORKS 8P4R 1/16W 75 ohm J P=0.8	RP58		1
551	N/A	2259247008P	RES_CHIP NETWORKS 8P4R 1/16W 47 ohm J P=0.8	RP59		1
552	N/A	2259275008P	RES_CHIP NETWORKS 8P4R 1/16W 75 ohm J P=0.8	RP60		1
553	N/A	2259222008P	RES_CHIP NETWORKS 8P4R 1/16W 22 ohm J P=0.8	RP61		1
554	N/A	2259275008P	RES_CHIP NETWORKS 8P4R 1/16W 75 ohm J P=0.8	RP62		1
555	N/A	2259247008P	RES_CHIP NETWORKS 8P4R 1/16W 47 ohm J P=0.8	RP63		1
556	N/A	2259275008P	RES_CHIP NETWORKS 8P4R 1/16W 75 ohm J P=0.8	RP64		1
557	N/A	2259247008P	RES_CHIP NETWORKS 8P4R 1/16W 47 ohm J P=0.8	RP65		1
558	N/A	2259275008P	RES_CHIP NETWORKS 8P4R 1/16W 75 ohm J P=0.8	RP66		1
559	N/A	2259247008P	RES_CHIP NETWORKS 8P4R 1/16W 47 ohm J P=0.8	RP67		1
560	N/A	2259275008P	RES_CHIP NETWORKS 8P4R 1/16W 75 ohm J P=0.8	RP68		1
561	N/A	2259233008P	RES_CHIP NETWORKS 8P4R 1/16W 33 ohm J P=0.8	RP80		1
562	N/A	2259233008P	RES_CHIP NETWORKS 8P4R 1/16W 33 ohm J P=0.8	RP81		1
563	N/A	2259233008P	RES_CHIP NETWORKS 8P4R 1/16W 33 ohm J P=0.8	RP82		1
564	N/A	2259210308P	RES_CHIP NETWORKS 8P4R 1/16W 10Kohm J P=0.8	RP83		1
565	N/A	2259210308P	RES_CHIP NETWORKS 8P4R 1/16W 10Kohm J P=0.8	RP84		1
566	N/A	2253210396P	RES CHIP 1/10W RC 0603 1/10W 10Kohm J T	R101		1
567	N/A	2253210396P	RES CHIP 1/10W RC 0603 1/10W 10Kohm J T	R102		1
568	E-R-0405-6419	2253247296P	RES CHIP 1/10W RC 0603 1/10W 4.7Kohm J T	R103		1
569	E-R-0405-6410	2253210296P	RES CHIP 1/10W RC 0603 1/10W 1.0Kohm J T	R106		1
570	N/A	2253210396P	RES CHIP 1/10W RC 0603 1/10W 10Kohm J T	R107		1
571	E-R-0405-6600	2253200096P	RES CHIP 1/10W RC 0603 1/10W 0 ohm J T	R108		1
572	E-R-0405-6419	2253247296P	RES CHIP 1/10W RC 0603 1/10W 4.7Kohm J T	R109		1
573	E-R-0405-6419	2253247296P	RES CHIP 1/10W RC 0603 1/10W 4.7Kohm J T	R110		1
574	E-R-0405-6410	2253210296P	RES CHIP 1/10W RC 0603 1/10W 1.0Kohm J T	R111		1
575	E-R-0405-6419	2253247296P	RES CHIP 1/10W RC 0603 1/10W 4.7Kohm J T	R112		1
576	N/A	2253215596P	RES CHIP 1/10W RC 0603 1/10W 1.5Mohm J T	R114		1
577	N/A	2253210396P	RES CHIP 1/10W RC 0603 1/10W 10Kohm J T	R115		1
578	E-R-0405-6410	2253210296P	RES CHIP 1/10W RC 0603 1/10W 1.0Kohm J T	R117		1
579	N/A	2253210396P	RES CHIP 1/10W RC 0603 1/10W 10Kohm J T	R118		1
580	N/A	2253210396P	RES CHIP 1/10W RC 0603 1/10W 10Kohm J T	R119		1
581	N/A	2253210396P	RES CHIP 1/10W RC 0603 1/10W 10Kohm J T	R120		1
582	E-R-0405-6600	2253200096P	RES CHIP 1/10W RC 0603 1/10W 0 ohm J T	R121		1
583	N/A	2253210396P	RES CHIP 1/10W RC 0603 1/10W 10Kohm J T	R122		1
584	N/A	2253222096P	RES CHIP 1/10W RC 0603 1/10W 22 ohm J T	R123		1
585	N/A	2253275096P	RES CHIP 1/10W RC 0603 1/10W 75 ohm J T	R124		1
586	N/A	2253247096P	RES CHIP 1/10W RC 0603 1/10W 47 ohm J T	R125		1
587	N/A	2253247096P	RES CHIP 1/10W RC 0603 1/10W 47 ohm J T	R126		1
588	N/A	2253247096P	RES CHIP 1/10W RC 0603 1/10W 47 ohm J T	R127		1
589	N/A	2253247096P	RES CHIP 1/10W RC 0603 1/10W 47 ohm J T	R128		1
590	N/A	2253275096P	RES CHIP 1/10W RC 0603 1/10W 75 ohm J T	R129		1
591	N/A	2253222096P	RES CHIP 1/10W RC 0603 1/10W 22 ohm J T	R130		1
592	N/A	2253275096P	RES CHIP 1/10W RC 0603 1/10W 75 ohm J T	R131		1
593	N/A	2253222096P	RES CHIP 1/10W RC 0603 1/10W 22 ohm J T	R132		1
594	E-R-0405-6600	2253200096P	RES CHIP 1/10W RC 0603 1/10W 0 ohm J T	R133		1
595	N/A	2253275096P	RES CHIP 1/10W RC 0603 1/10W 75 ohm J T	R134		1
596	N/A	2253222096P	RES CHIP 1/10W RC 0603 1/10W 22 ohm J T	R135		1
597	N/A	2253275096P	RES CHIP 1/10W RC 0603 1/10W 75 ohm J T	R136		1
598	N/A	2253222096P	RES CHIP 1/10W RC 0603 1/10W 22 ohm J T	R137		1
599	N/A	2253275096P	RES CHIP 1/10W RC 0603 1/10W 75 ohm J T	R138		1
600	N/A	2253222096P	RES CHIP 1/10W RC 0603 1/10W 22 ohm J T	R139		1
601	N/A	2253275096P	RES CHIP 1/10W RC 0603 1/10W 75 ohm J T	R140		1
602	E-R-0405-6602	2253215196P	RES CHIP 1/10W RC 0603 1/10W 150 ohm J T	R141		1
603	N/A	2253275096P	RES CHIP 1/10W RC 0603 1/10W 75 ohm J T	R142		1
604	E-R-0405-6602	2253215196P	RES CHIP 1/10W RC 0603 1/10W 150 ohm J T	R143		1
605	N/A	2253275096P	RES CHIP 1/10W RC 0603 1/10W 75 ohm J T	R144		1
606	E-R-0405-6602	2253215196P	RES CHIP 1/10W RC 0603 1/10W 150 ohm J T	R145		1
607	E-R-0405-6600	2253200096P	RES CHIP 1/10W RC 0603 1/10W 0 ohm J T	R146		1
608	N/A	2253282196P	RES CHIP 1/10W RC 0603 1/10W 820 ohm J T	R148		1
609	N/A	2251249996P	RES CHIP 1/10W RC 0603 1/10W 49.9 ohm F T	R149		1
610	N/A	2251249996P	RES CHIP 1/10W RC 0603 1/10W 49.9 ohm F T	R150		1
611	N/A	2251249996P	RES CHIP 1/10W RC 0603 1/10W 49.9 ohm F T	R151		1
612	N/A	2251249996P	RES CHIP 1/10W RC 0603 1/10W 49.9 ohm F T	R152		1
613	E-R-0405-6600	2253200096P	RES CHIP 1/10W RC 0603 1/10W 0 ohm J T	R170		1
614	E-R-0405-6600	2253200096P	RES CHIP 1/10W RC 0603 1/10W 0 ohm J T	R172		1
615	N/A	2253268096P	RES CHIP 1/10W RC 0603 1/10W 68 ohm J T	R173		1
616	E-R-0405-6600	2253200096P	RES CHIP 1/10W RC 0603 1/10W 0 ohm J T	R174		1
617	N/A	2253210196P	RES CHIP 1/10W RC 0603 1/10W 100 ohm J T	R175		1
618	N/A	2253268096P	RES CHIP 1/10W RC 0603 1/10W 68 ohm J T	R176		1
619	E-R-0405-6600	2253200096P	RES CHIP 1/10W RC 0603 1/10W 0 ohm J T	R177		1
620	N/A	2253210196P	RES CHIP 1/10W RC 0603 1/10W 100 ohm J T	R178		1

Item	ViewSonic P/N	Ref. P/N	Description	Location	Universal number#	Q'ty
621	E-R-0405-6600	2253200096P	RES CHIP 1/10W RC 0603 1/10W 0 ohm J T	R179		1
622	N/A	2253268096P	RES CHIP 1/10W RC 0603 1/10W 68 ohm J T	R180		1
623	N/A	2253210196P	RES CHIP 1/10W RC 0603 1/10W 100 ohm J T	R181		1
624	E-R-0405-6600	2253200096P	RES CHIP 1/10W RC 0603 1/10W 0 ohm J T	R185		1
625	N/A	2253210496P	RES CHIP 1/10W RC 0603 1/10W 100Kohm J T	R187		1
626	N/A	2253275096P	RES CHIP 1/10W RC 0603 1/10W 75 ohm J T	R188		1
627	N/A	2253210496P	RES CHIP 1/10W RC 0603 1/10W 100Kohm J T	R189		1
628	N/A	2253275096P	RES CHIP 1/10W RC 0603 1/10W 75 ohm J T	R191		1
629	N/A	2253210496P	RES CHIP 1/10W RC 0603 1/10W 100Kohm J T	R192		1
630	N/A	2253275096P	RES CHIP 1/10W RC 0603 1/10W 75 ohm J T	R194		1
631	N/A	2253210496P	RES CHIP 1/10W RC 0603 1/10W 100Kohm J T	R195		1
632	N/A	2253227096P	RES CHIP 1/10W RC 0603 1/10W 27 ohm J T	R197		1
633	N/A	2253275096P	RES CHIP 1/10W RC 0603 1/10W 75 ohm J T	R198		1
634	N/A	2253227096P	RES CHIP 1/10W RC 0603 1/10W 27 ohm J T	R200		1
635	N/A	2253275096P	RES CHIP 1/10W RC 0603 1/10W 75 ohm J T	R201		1
636	N/A	2253227096P	RES CHIP 1/10W RC 0603 1/10W 27 ohm J T	R203		1
637	N/A	2253275096P	RES CHIP 1/10W RC 0603 1/10W 75 ohm J T	R204		1
638	E-R-0405-6600	2253200096P	RES CHIP 1/10W RC 0603 1/10W 0 ohm J T	R210		1
639	E-R-0405-6419	2253247296P	RES CHIP 1/10W RC 0603 1/10W 4.7Kohm J T	R211		1
640	E-R-0405-6419	2253247296P	RES CHIP 1/10W RC 0603 1/10W 4.7Kohm J T	R212		1
641	E-R-0405-6600	2253200096P	RES CHIP 1/10W RC 0603 1/10W 0 ohm J T	R215		1
642	E-R-0405-6600	2253200096P	RES CHIP 1/10W RC 0603 1/10W 0 ohm J T	R216		1
643	E-R-0405-6600	2253200096P	RES CHIP 1/10W RC 0603 1/10W 0 ohm J T	R217		1
644	E-R-0405-6600	2253200096P	RES CHIP 1/10W RC 0603 1/10W 0 ohm J T	R218		1
645	E-R-0405-6419	2253247296P	RES CHIP 1/10W RC 0603 1/10W 4.7Kohm J T	R220		1
646	E-R-0405-6419	2253247296P	RES CHIP 1/10W RC 0603 1/10W 4.7Kohm J T	R221		1
647	E-R-0405-6600	2253200096P	RES CHIP 1/10W RC 0603 1/10W 0 ohm J T	R224		1
648	E-R-0405-6600	2253200096P	RES CHIP 1/10W RC 0603 1/10W 0 ohm J T	R228		1
649	E-R-0405-6600	2253200096P	RES CHIP 1/10W RC 0603 1/10W 0 ohm J T	R229		1
650	E-R-0405-6419	2253247296P	RES CHIP 1/10W RC 0603 1/10W 4.7Kohm J T	R230		1
651	N/A	2253210196P	RES CHIP 1/10W RC 0603 1/10W 100 ohm J T	R231		1
652	E-R-0405-6600	2253200096P	RES CHIP 1/10W RC 0603 1/10W 0 ohm J T	R232		1
653	N/A	2251210496P	RES CHIP 1/10W RC 0603 1/10W 100Kohm F T	R233		1
654	N/A	2251210496P	RES CHIP 1/10W RC 0603 1/10W 100Kohm F T	R234		1
655	N/A	2251210496P	RES CHIP 1/10W RC 0603 1/10W 100Kohm F T	R239		1
656	N/A	2251210496P	RES CHIP 1/10W RC 0603 1/10W 100Kohm F T	R240		1
657	N/A	2253247096P	RES CHIP 1/10W RC 0603 1/10W 47 ohm J T	R241		1
658	N/A	2253247096P	RES CHIP 1/10W RC 0603 1/10W 47 ohm J T	R242		1
659	N/A	2253210396P	RES CHIP 1/10W RC 0603 1/10W 10Kohm J T	R256		1
660	N/A	2253233196P	RES CHIP 1/10W RC 0603 1/10W 330 ohm J T	R257		1
661	N/A	2253247096P	RES CHIP 1/10W RC 0603 1/10W 47 ohm J T	R258		1
662	N/A	2253275096P	RES CHIP 1/10W RC 0603 1/10W 75 ohm J T	R259		1
663	N/A	2253247096P	RES CHIP 1/10W RC 0603 1/10W 47 ohm J T	R260		1
664	N/A	2253275096P	RES CHIP 1/10W RC 0603 1/10W 75 ohm J T	R261		1
665	N/A	2253275096P	RES CHIP 1/10W RC 0603 1/10W 75 ohm J T	R263		1
666	N/A	2253247096P	RES CHIP 1/10W RC 0603 1/10W 47 ohm J T	R264		1
667	N/A	2253275096P	RES CHIP 1/10W RC 0603 1/10W 75 ohm J T	R265		1
668	N/A	2253222096P	RES CHIP 1/10W RC 0603 1/10W 22 ohm J T	R266		1
669	N/A	2253275096P	RES CHIP 1/10W RC 0603 1/10W 75 ohm J T	R267		1
670	N/A	2253222096P	RES CHIP 1/10W RC 0603 1/10W 22 ohm J T	R268		1
671	N/A	2253275096P	RES CHIP 1/10W RC 0603 1/10W 75 ohm J T	R269		1
672	N/A	2253222096P	RES CHIP 1/10W RC 0603 1/10W 22 ohm J T	R270		1
673	N/A	2253275096P	RES CHIP 1/10W RC 0603 1/10W 75 ohm J T	R271		1
674	N/A	2253247096P	RES CHIP 1/10W RC 0603 1/10W 47 ohm J T	R272		1
675	N/A	2253275096P	RES CHIP 1/10W RC 0603 1/10W 75 ohm J T	R273		1
676	N/A	2253222096P	RES CHIP 1/10W RC 0603 1/10W 22 ohm J T	R274		1
677	N/A	2253275096P	RES CHIP 1/10W RC 0603 1/10W 75 ohm J T	R275		1
678	N/A	2253275096P	RES CHIP 1/10W RC 0603 1/10W 75 ohm J T	R277		1
679	N/A	2253275096P	RES CHIP 1/10W RC 0603 1/10W 75 ohm J T	R279		1
680	N/A	2253222096P	RES CHIP 1/10W RC 0603 1/10W 22 ohm J T	R280		1
681	N/A	2253247096P	RES CHIP 1/10W RC 0603 1/10W 47 ohm J T	R282		1
682	N/A	2253275096P	RES CHIP 1/10W RC 0603 1/10W 75 ohm J T	R283		1
683	N/A	2253247096P	RES CHIP 1/10W RC 0603 1/10W 47 ohm J T	R284		1
684	N/A	2253247096P	RES CHIP 1/10W RC 0603 1/10W 47 ohm J T	R286		1
685	N/A	2253247096P	RES CHIP 1/10W RC 0603 1/10W 47 ohm J T	R287		1
686	N/A	2253247096P	RES CHIP 1/10W RC 0603 1/10W 47 ohm J T	R290		1
687	E-R-0405-6600	2253200096P	RES CHIP 1/10W RC 0603 1/10W 0 ohm J T	R294		1
688	E-R-0405-6419	2253247296P	RES CHIP 1/10W RC 0603 1/10W 4.7Kohm J T	R296		1
689	E-R-0405-6600	2253200096P	RES CHIP 1/10W RC 0603 1/10W 0 ohm J T	R297		1
690	E-R-0405-6419	2253247296P	RES CHIP 1/10W RC 0603 1/10W 4.7Kohm J T	R298		1
691	E-R-0405-6419	2253247296P	RES CHIP 1/10W RC 0603 1/10W 4.7Kohm J T	R299		1
692	E-R-0405-6419	2253247296P	RES CHIP 1/10W RC 0603 1/10W 4.7Kohm J T	R303		1
693	E-R-0405-6419	2253247296P	RES CHIP 1/10W RC 0603 1/10W 4.7Kohm J T	R304		1
694	E-R-0405-6419	2253247296P	RES CHIP 1/10W RC 0603 1/10W 4.7Kohm J T	R309		1
695	E-R-0405-6419	2253247296P	RES CHIP 1/10W RC 0603 1/10W 4.7Kohm J T	R310		1
696	N/A	2253282296P	RES CHIP 1/10W RC 0603 1/10W 8.2Kohm J T	R311		1
697	N/A	2253247096P	RES CHIP 1/10W RC 0603 1/10W 47 ohm J T	R314		1
698	N/A	2253210196P	RES CHIP 1/10W RC 0603 1/10W 100 ohm J T	R319		1

Item	ViewSonic P/N	Ref. P/N	Description	Location	Universal number#	Q'ty
699	N/A	2253210196P	RES CHIP 1/10W	RC 0603 1/10W 100 ohm J T	R320	1
700	N/A	2253268096P	RES CHIP 1/10W	RC 0603 1/10W 68 ohm J T	R322	1
701	N/A	2253275096P	RES CHIP 1/10W	RC 0603 1/10W 75 ohm J T	R323	1
702	N/A	2253210196P	RES CHIP 1/10W	RC 0603 1/10W 100 ohm J T	R324	1
703	E-R-0405-6600	2253200096P	RES CHIP 1/10W	RC 0603 1/10W 0 ohm J T	R325	1
704	N/A	2253268096P	RES CHIP 1/10W	RC 0603 1/10W 68 ohm J T	R327	1
705	N/A	2253275096P	RES CHIP 1/10W	RC 0603 1/10W 75 ohm J T	R328	1
706	N/A	2253210196P	RES CHIP 1/10W	RC 0603 1/10W 100 ohm J T	R329	1
707	N/A	2253210196P	RES CHIP 1/10W	RC 0603 1/10W 100 ohm J T	R331	1
708	E-R-0405-6600	2253200096P	RES CHIP 1/10W	RC 0603 1/10W 0 ohm J T	R332	1
709	N/A	2253268096P	RES CHIP 1/10W	RC 0603 1/10W 68 ohm J T	R335	1
710	N/A	2253210196P	RES CHIP 1/10W	RC 0603 1/10W 100 ohm J T	R336	1
711	E-R-0405-6600	2253200096P	RES CHIP 1/10W	RC 0603 1/10W 0 ohm J T	R337	1
712	N/A	2253275096P	RES CHIP 1/10W	RC 0603 1/10W 75 ohm J T	R338	1
713	N/A	2253210196P	RES CHIP 1/10W	RC 0603 1/10W 100 ohm J T	R339	1
714	N/A	2253251196P	RES CHIP 1/10W	RC 0603 1/10W 510 ohm J T	R340	1
715	N/A	2253210496P	RES CHIP 1/10W	RC 0603 1/10W 100Kohm J T	R341	1
716	E-R-0405-6413	2253220296P	RES CHIP 1/10W	RC 0603 1/10W 2.0Kohm J T	R342	1
717	N/A	2253210196P	RES CHIP 1/10W	RC 0603 1/10W 100 ohm J T	R343	1
718	N/A	2253233296P	RES CHIP 1/10W	RC 0603 1/10W 3.3Kohm J T	R344	1
719	N/A	2253233296P	RES CHIP 1/10W	RC 0603 1/10W 3.3Kohm J T	R345	1
720	N/A	2253251196P	RES CHIP 1/10W	RC 0603 1/10W 510 ohm J T	R346	1
721	N/A	2253210496P	RES CHIP 1/10W	RC 0603 1/10W 100Kohm J T	R347	1
722	E-R-0405-6413	2253220296P	RES CHIP 1/10W	RC 0603 1/10W 2.0Kohm J T	R348	1
723	E-00003527	2253247396P	RES CHIP 1/10W	RC 0603 1/10W 47Kohm J T	R349	1
724	E-00003527	2253247396P	RES CHIP 1/10W	RC 0603 1/10W 47Kohm J T	R350	1
725	E-00003527	2253247396P	RES CHIP 1/10W	RC 0603 1/10W 47Kohm J T	R351	1
726	E-00003527	2253247396P	RES CHIP 1/10W	RC 0603 1/10W 47Kohm J T	R352	1
727	E-00003527	2253247396P	RES CHIP 1/10W	RC 0603 1/10W 47Kohm J T	R353	1
728	N/A	2253210396P	RES CHIP 1/10W	RC 0603 1/10W 10Kohm J T	R354	1
729	E-00003527	2253247396P	RES CHIP 1/10W	RC 0603 1/10W 47Kohm J T	R355	1
730	E-00003527	2253247396P	RES CHIP 1/10W	RC 0603 1/10W 47Kohm J T	R356	1
731	E-00003527	2253247396P	RES CHIP 1/10W	RC 0603 1/10W 47Kohm J T	R357	1
732	E-00003527	2253247396P	RES CHIP 1/10W	RC 0603 1/10W 47Kohm J T	R358	1
733	E-00003527	2253247396P	RES CHIP 1/10W	RC 0603 1/10W 47Kohm J T	R359	1
734	N/A	2253210396P	RES CHIP 1/10W	RC 0603 1/10W 10Kohm J T	R360	1
735	E-00003527	2253247396P	RES CHIP 1/10W	RC 0603 1/10W 47Kohm J T	R361	1
736	E-00003527	2253247396P	RES CHIP 1/10W	RC 0603 1/10W 47Kohm J T	R362	1
737	E-00003527	2253247396P	RES CHIP 1/10W	RC 0603 1/10W 47Kohm J T	R363	1
738	E-00003527	2253247396P	RES CHIP 1/10W	RC 0603 1/10W 47Kohm J T	R364	1
739	N/A	2253233096P	RES CHIP 1/10W	RC 0603 1/10W 33 ohm J T	R365	1
740	N/A	2253233096P	RES CHIP 1/10W	RC 0603 1/10W 33 ohm J T	R366	1
741	N/A	2253210396P	RES CHIP 1/10W	RC 0603 1/10W 10Kohm J T	R367	1
742	N/A	2253210396P	RES CHIP 1/10W	RC 0603 1/10W 10Kohm J T	R368	1
743	N/A	2253210396P	RES CHIP 1/10W	RC 0603 1/10W 10Kohm J T	R369	1
744	N/A	2251263406P	RES CHIP 1/10W	RC 0603 1/10W 634 ohm F T	R373	1
745	N/A	2253210496P	RES CHIP 1/10W	RC 0603 1/10W 100Kohm J T	R374	1
746	N/A	2251290996P	RES CHIP 1/10W	RC 0603 1/10W 90.9 ohm F T	R378	1
747	N/A	2253210396P	RES CHIP 1/10W	RC 0603 1/10W 10Kohm J T	R379	1
748	N/A	2253251296P	RES CHIP 1/10W	RC 0603 1/10W 5.1Kohm J T	R380	1
749	N/A	2253210496P	RES CHIP 1/10W	RC 0603 1/10W 100Kohm J T	R381	1
750	N/A	2251263406P	RES CHIP 1/10W	RC 0603 1/10W 634 ohm F T	R382	1
751	N/A	2253210496P	RES CHIP 1/10W	RC 0603 1/10W 100Kohm J T	R383	1
752	N/A	2251290996P	RES CHIP 1/10W	RC 0603 1/10W 90.9 ohm F T	R384	1
753	N/A	2253210396P	RES CHIP 1/10W	RC 0603 1/10W 10Kohm J T	R385	1
754	N/A	2253251296P	RES CHIP 1/10W	RC 0603 1/10W 5.1Kohm J T	R386	1
755	N/A	2253210496P	RES CHIP 1/10W	RC 0603 1/10W 100Kohm J T	R387	1
756	N/A	2253233096P	RES CHIP 1/10W	RC 0603 1/10W 33 ohm J T	R388	1
757	N/A	2253233096P	RES CHIP 1/10W	RC 0603 1/10W 33 ohm J T	R389	1
758	N/A	2253233096P	RES CHIP 1/10W	RC 0603 1/10W 33 ohm J T	R390	1
759	N/A	2253233096P	RES CHIP 1/10W	RC 0603 1/10W 33 ohm J T	R391	1
760	N/A	2253210096P	RES CHIP 1/10W	RC 0603 1/10W 10 ohm J T	R393	1
761	N/A	2253210096P	RES CHIP 1/10W	RC 0603 1/10W 10 ohm J T	R394	1
762	N/A	2253210096P	RES CHIP 1/10W	RC 0603 1/10W 10 ohm J T	R395	1
763	N/A	2253233096P	RES CHIP 1/10W	RC 0603 1/10W 33 ohm J T	R396	1
764	N/A	2253233096P	RES CHIP 1/10W	RC 0603 1/10W 33 ohm J T	R397	1
765	E-R-0405-6600	2253200096P	RES CHIP 1/10W	RC 0603 1/10W 0 ohm J T	R398	1
766	N/A	2253233096P	RES CHIP 1/10W	RC 0603 1/10W 33 ohm J T	R399	1
767	N/A	2253210096P	RES CHIP 1/10W	RC 0603 1/10W 10 ohm J T	R401	1
768	N/A	2253210096P	RES CHIP 1/10W	RC 0603 1/10W 10 ohm J T	R402	1
769	E-R-0405-6419	2253247296P	RES CHIP 1/10W	RC 0603 1/10W 4.7Kohm J T	R403	1
770	E-R-0405-6419	2253247296P	RES CHIP 1/10W	RC 0603 1/10W 4.7Kohm J T	R404	1
771	E-00003527	2253247396P	RES CHIP 1/10W	RC 0603 1/10W 47Kohm J T	R406	1
772	N/A	2253210096P	RES CHIP 1/10W	RC 0603 1/10W 10 ohm J T	R408	1
773	N/A	2253210096P	RES CHIP 1/10W	RC 0603 1/10W 10 ohm J T	R410	1
774	N/A	2253210096P	RES CHIP 1/10W	RC 0603 1/10W 10 ohm J T	R414	1
775	E-00003527	2253247396P	RES CHIP 1/10W	RC 0603 1/10W 47Kohm J T	R415	1
776	N/A	2251211526P	RES,CHIP 1/10	RC 0603 1/10W 11.5Kohm F T	R416	1

Item	ViewSonic P/N	Ref. P/N	Description	Location	Universal number#	Q'ty
777	E-R-0405-6600	2253200096P	RES CHIP 1/10W RC 0603 1/10W 0 ohm J T	R419		1
778	N/A	2253210396P	RES CHIP 1/10W RC 0603 1/10W 10Kohm J T	R420		1
779	N/A	2253251296P	RES CHIP 1/10W RC 0603 1/10W 5.1Kohm J T	R421		1
780	N/A	2253210096P	RES CHIP 1/10W RC 0603 1/10W 10 ohm J T	R422		1
781	N/A	2251226736P	RES CHIP 1/10W RC 0603 1/10W 267Kohm F T	R423		1
782	E-00003527	2253247396P	RES CHIP 1/10W RC 0603 1/10W 47Kohm J T	R424		1
783	E-R-0405-6419	2253247296P	RES CHIP 1/10W RC 0603 1/10W 4.7Kohm J T	R425		1
784	E-R-0405-6600	2253200096P	RES CHIP 1/10W RC 0603 1/10W 0 ohm J T	R426		1
785	N/A	2253210396P	RES CHIP 1/10W RC 0603 1/10W 10Kohm J T	R427		1
786	N/A	2253251296P	RES CHIP 1/10W RC 0603 1/10W 5.1Kohm J T	R428		1
787	N/A	2253210196P	RES CHIP 1/10W RC 0603 1/10W 100 ohm J T	R429		1
788	N/A	2253210196P	RES CHIP 1/10W RC 0603 1/10W 100 ohm J T	R430		1
789	E-R-0405-6419	2253247296P	RES CHIP 1/10W RC 0603 1/10W 4.7Kohm J T	R445		1
790	E-R-0405-6410	2253210296P	RES CHIP 1/10W RC 0603 1/10W 1.0Kohm J T	R449		1
791	E-R-0405-6410	2253210296P	RES CHIP 1/10W RC 0603 1/10W 1.0Kohm J T	R450		1
792	N/A	2253210396P	RES CHIP 1/10W RC 0603 1/10W 10Kohm J T	R451		1
793	N/A	2253210396P	RES CHIP 1/10W RC 0603 1/10W 10Kohm J T	R455		1
794	N/A	2253247096P	RES CHIP 1/10W RC 0603 1/10W 47 ohm J T	R458		1
795	E-R-0405-6602	2253215196P	RES CHIP 1/10W RC 0603 1/10W 150 ohm J T	R459		1
796	E-R-0405-6602	2253215196P	RES CHIP 1/10W RC 0603 1/10W 150 ohm J T	R460		1
797	E-R-0405-6410	2253210296P	RES CHIP 1/10W RC 0603 1/10W 1.0Kohm J T	R461		1
798	E-R-0405-6419	2253247296P	RES CHIP 1/10W RC 0603 1/10W 4.7Kohm J T	R462		1
799	E-R-0405-6419	2253247296P	RES CHIP 1/10W RC 0603 1/10W 4.7Kohm J T	R463		1
800	N/A	2253210396P	RES CHIP 1/10W RC 0603 1/10W 10Kohm J T	R464		1
801	N/A	2253210396P	RES CHIP 1/10W RC 0603 1/10W 10Kohm J T	R465		1
802	N/A	2253210396P	RES CHIP 1/10W RC 0603 1/10W 10Kohm J T	R466		1
803	N/A	2253210396P	RES CHIP 1/10W RC 0603 1/10W 10Kohm J T	R467		1
804	N/A	2253210396P	RES CHIP 1/10W RC 0603 1/10W 10Kohm J T	R468		1
805	N/A	2253210396P	RES CHIP 1/10W RC 0603 1/10W 10Kohm J T	R469		1
806	N/A	2253210396P	RES CHIP 1/10W RC 0603 1/10W 10Kohm J T	R470		1
807	N/A	2253210496P	RES CHIP 1/10W RC 0603 1/10W 100Kohm J T	R479		1
808	N/A	2253210396P	RES CHIP 1/10W RC 0603 1/10W 10Kohm J T	R480		1
809	N/A	2253210496P	RES CHIP 1/10W RC 0603 1/10W 100Kohm J T	R481		1
810	N/A	2253210396P	RES CHIP 1/10W RC 0603 1/10W 10Kohm J T	R483		1
811	N/A	2253210396P	RES CHIP 1/10W RC 0603 1/10W 10Kohm J T	R484		1
812	N/A	2253210396P	RES CHIP 1/10W RC 0603 1/10W 10Kohm J T	R485		1
813	N/A	2253220396P	RES CHIP 1/10W RC 0603 1/10W 20Kohm J T	R486		1
814	N/A	2253210396P	RES CHIP 1/10W RC 0603 1/10W 10Kohm J T	R487		1
815	E-00003527	2253247396P	RES CHIP 1/10W RC 0603 1/10W 47Kohm J T	R489		1
816	E-00003527	2253247396P	RES CHIP 1/10W RC 0603 1/10W 47Kohm J T	R490		1
817	E-R-0405-6419	2253247296P	RES CHIP 1/10W RC 0603 1/10W 4.7Kohm J T	R491		1
818	E-R-0405-6600	2253200096P	RES CHIP 1/10W RC 0603 1/10W 0 ohm J T	R492		1
819	N/A	225323096P	RES CHIP 1/10W RC 0603 1/10W 33 ohm J T	R493		1
820	N/A	2253210096P	RES CHIP 1/10W RC 0603 1/10W 10 ohm J T	R494		1
821	E-R-0405-6419	2253247296P	RES CHIP 1/10W RC 0603 1/10W 4.7Kohm J T	R503		1
822	E-R-0405-6600	2253200096P	RES CHIP 1/10W RC 0603 1/10W 0 ohm J T	R504		1
823	E-R-0405-6600	2253200096P	RES CHIP 1/10W RC 0603 1/10W 0 ohm J T	R505		1
824	N/A	2253210596P	RES CHIP 1/10W RC 0603 1/10W 1.0Mohm J T	R506		1
825	N/A	2253210496P	RES CHIP 1/10W RC 0603 1/10W 100Kohm J T	R507		1
826	N/A	2253210596P	RES CHIP 1/10W RC 0603 1/10W 1.0Mohm J T	R508		1
827	N/A	225323396P	RES CHIP 1/10W RC 0603 1/10W 33Kohm J T	R511		1
828	E-R-0405-6600	2253200096P	RES CHIP 1/10W RC 0603 1/10W 0 ohm J T	R512		1
829	E-R-0405-6600	2253200096P	RES CHIP 1/10W RC 0603 1/10W 0 ohm J T	R513		1
830	N/A	2253239296P	RES CHIP 1/10W RC 0603 1/10W 3.9Kohm J T	R515		1
831	N/A	2253220396P	RES CHIP 1/10W RC 0603 1/10W 20Kohm J T	R516		1
832	N/A	2251236516P	RES CHIP 1/10W RC 0603 1/10W 3.65Kohm F T	R517		1
833	N/A	2251211516P	RES CHIP 1/10 RC 0603 1/10W 1.15Kohm F T	R518		1
834	N/A	2253239296P	RES CHIP 1/10W RC 0603 1/10W 3.9Kohm J T	R519		1
835	N/A	2253220396P	RES CHIP 1/10W RC 0603 1/10W 20Kohm J T	R520		1
836	N/A	2251236516P	RES CHIP 1/10W RC 0603 1/10W 3.65Kohm F T	R521		1
837	N/A	2251211516P	RES CHIP 1/10 RC 0603 1/10W 1.15Kohm F T	R522		1
838	E-R-0405-6600	2253200096P	RES CHIP 1/10W RC 0603 1/10W 0 ohm J T	R523		1
839	E-00003527	2253247396P	RES CHIP 1/10W RC 0603 1/10W 47Kohm J T	R524		1
840	N/A	2253210396P	RES CHIP 1/10W RC 0603 1/10W 10Kohm J T	R526		1
841	N/A	2251211006P	RES CHIP 1/10 RC 0603 1/10W 110 ohm F T	R527		1
842	E-R-0405-6600	2253200096P	RES CHIP 1/10W RC 0603 1/10W 0 ohm J T	R533		1
843	E-R-0405-6600	2253200096P	RES CHIP 1/10W RC 0603 1/10W 0 ohm J T	R534		1
844	E-R-0405-6600	2253200096P	RES CHIP 1/10W RC 0603 1/10W 0 ohm J T	R535		1
845	E-R-0405-6600	2253200096P	RES CHIP 1/10W RC 0603 1/10W 0 ohm J T	R536		1
846	E-R-0405-6600	2253200096P	RES CHIP 1/10W RC 0603 1/10W 0 ohm J T	R537		1
847	E-R-0405-6600	2253200096P	RES CHIP 1/10W RC 0603 1/10W 0 ohm J T	R538		1
848	E-R-0405-6600	2253200096P	RES CHIP 1/10W RC 0603 1/10W 0 ohm J T	R801		1
849	E-R-0405-6410	2253210296P	RES CHIP 1/10W RC 0603 1/10W 1.0Kohm J T	R802		1
850	N/A	2253210496P	RES CHIP 1/10W RC 0603 1/10W 100Kohm J T	R803		1
851	E-R-0405-6419	2253247296P	RES CHIP 1/10W RC 0603 1/10W 4.7Kohm J T	R805		1
852	N/A	2253210396P	RES CHIP 1/10W RC 0603 1/10W 10Kohm J T	R806		1
853	N/A	2253210496P	RES CHIP 1/10W RC 0603 1/10W 100Kohm J T	R807		1
854	N/A	2253210396P	RES CHIP 1/10W RC 0603 1/10W 10Kohm J T	R811		1

Item	ViewSonic P/N	Ref. P/N	Description	Location	Universal number#	Q'ty
855	N/A	2253210396P	RES CHIP 1/10W	RC 0603 1/10W 10Kohm J T	R814	1
856	E-R-0405-6419	2253247296P	RES CHIP 1/10W	RC 0603 1/10W 4.7Kohm J T	R815	1
857	E-R-0405-6600	2253200096P	RES CHIP 1/10W	RC 0603 1/10W 0 ohm J T	R816	1
858	E-R-0405-6419	2253247296P	RES CHIP 1/10W	RC 0603 1/10W 4.7Kohm J T	R817	1
859	N/A	2253210196P	RES CHIP 1/10W	RC 0603 1/10W 100 ohm J T	R818	1
860	N/A	2253210196P	RES CHIP 1/10W	RC 0603 1/10W 100 ohm J T	R819	1
861	N/A	2253210496P	RES CHIP 1/10W	RC 0603 1/10W 100Kohm J T	R820	1
862	N/A	2253222496P	RES CHIP 1/10W	RC 0603 1/10W 220Kohm J T	R821	1
863	E-R-0405-6600	2253200096P	RES CHIP 1/10W	RC 0603 1/10W 0 ohm J T	R823	1
864	E-R-0405-6419	2253247296P	RES CHIP 1/10W	RC 0603 1/10W 4.7Kohm J T	R824	1
865	E-R-0405-6419	2253247296P	RES CHIP 1/10W	RC 0603 1/10W 4.7Kohm J T	R825	1
866	E-R-0405-6419	2253247296P	RES CHIP 1/10W	RC 0603 1/10W 4.7Kohm J T	R826	1
867	E-R-0405-6410	2253210296P	RES CHIP 1/10W	RC 0603 1/10W 1.0Kohm J T	R827	1
868	N/A	2253210596P	RES CHIP 1/10W	RC 0603 1/10W 1.0Mohm J T	R828	1
869	E-R-0405-6419	2253247296P	RES CHIP 1/10W	RC 0603 1/10W 4.7Kohm J T	R829	1
870	E-R-0405-6419	2253247296P	RES CHIP 1/10W	RC 0603 1/10W 4.7Kohm J T	R830	1
871	E-R-0405-6419	2253247296P	RES CHIP 1/10W	RC 0603 1/10W 4.7Kohm J T	R831	1
872	E-R-0405-6419	2253210296P	RES CHIP 1/10W	RC 0603 1/10W 4.7Kohm J T	R832	1
873	E-R-0405-6419	2253247296P	RES CHIP 1/10W	RC 0603 1/10W 4.7Kohm J T	R833	1
874	N/A	2253215296P	RES CHIP 1/10W	RC 0603 1/10W 1.5Kohm J T	R834	1
875	N/A	2253215296P	RES CHIP 1/10W	RC 0603 1/10W 1.5Kohm J T	R835	1
876	E-R-0405-6410	2253210296P	RES CHIP 1/10W	RC 0603 1/10W 1.0Kohm J T	R836	1
877	E-R-0405-6410	2253210296P	RES CHIP 1/10W	RC 0603 1/10W 1.0Kohm J T	R837	1
878	N/A	2253215296P	RES CHIP 1/10W	RC 0603 1/10W 1.5Kohm J T	R838	1
879	N/A	2253215296P	RES CHIP 1/10W	RC 0603 1/10W 1.5Kohm J T	R839	1
880	E-R-0405-6410	2253210296P	RES CHIP 1/10W	RC 0603 1/10W 1.0Kohm J T	R840	1
881	N/A	2253215296P	RES CHIP 1/10W	RC 0603 1/10W 1.5Kohm J T	R841	1
882	N/A	2253215296P	RES CHIP 1/10W	RC 0603 1/10W 1.5Kohm J T	R842	1
883	N/A	2251246416P	RES CHIP 1/10W	RC 0603 1/10W 4.64Kohm F T	R843	1
884	N/A	2251260496P	RES CHIP 1/10	RC 0603 1/10W 60.4 ohm F T	R844	1
885	N/A	2253210396P	RES CHIP 1/10W	RC 0603 1/10W 10Kohm J T	R845	1
886	N/A	2253210396P	RES CHIP 1/10W	RC 0603 1/10W 10Kohm J T	R846	1
887	N/A	2253210496P	RES CHIP 1/10W	RC 0603 1/10W 100Kohm J T	R847	1
888	N/A	2253233296P	RES CHIP 1/10W	RC 0603 1/10W 3.3Kohm J T	R848	1
889	N/A	2251217416P	RES CHIP 1/10W	RC 0603 1/10W 1.74Kohm F T	R849	1
890	N/A	2251213016P	RES CHIP 1/10	RC 0603 1/10W 1.3Kohm F T	R850	1
891	E-R-0405-6600	2253200096P	RES CHIP 1/10W	RC 0603 1/10W 0 ohm J T	R851	1
892	N/A	2253256196P	RES CHIP 1/10W	RC 0603 1/10W 560 ohm J T	R853	1
893	N/A	2253210396P	RES CHIP 1/10W	RC 0603 1/10W 10Kohm J T	R854	1
894	N/A	2253222396P	RES CHIP 1/10W	RC 0603 1/10W 22Kohm J T	R858	1
895	N/A	2253318196P	RES CHIP 1/8W	RC 0805 1/8 W 180 ohm J T	R859	1
896	E-R-0405-6419	2253247296P	RES CHIP 1/10W	RC 0603 1/10W 4.7Kohm J T	R860	1
897	E-R-0405-6419	2253247296P	RES CHIP 1/10W	RC 0603 1/10W 4.7Kohm J T	R861	1
898	N/A	2253210196P	RES CHIP 1/10W	RC 0603 1/10W 100 ohm J T	R862	1
899	N/A	2253210196P	RES CHIP 1/10W	RC 0603 1/10W 100 ohm J T	R863	1
900	N/A	2253210196P	RES CHIP 1/10W	RC 0603 1/10W 100 ohm J T	R864	1
901	N/A	2253210196P	RES CHIP 1/10W	RC 0603 1/10W 100 ohm J T	R865	1
902	N/A	2253210196P	RES CHIP 1/10W	RC 0603 1/10W 100 ohm J T	R866	1
903	N/A	2253210196P	RES CHIP 1/10W	RC 0603 1/10W 100 ohm J T	R867	1
904	E-R-0405-6600	2253200096P	RES CHIP 1/10W	RC 0603 1/10W 0 ohm J T	R869	1
905	N/A	2202524600P	PCB MULTILAYER	JC378AB11UA M/B FR4*4 357*150	U101	1
906	N/A	2369104701P	XTAL_OSC	27.000MHZ/49US 0.1mW/20pF	X100	1
907	N/A	2369502706P	XTAL_OSC SMD	27.0000MHZ 3.3V/25ppm 5*7	X103	1
908	N/A	2369104001P	XTAL_OSC	25.000MHZ/49US 0.1mW/20pF	X801	1
909	N/A	2336310713P	CAP,MINI ELE 105°C	EC 100u/ 16V 6.3*7 P=2.5 T	C108	1
910	N/A	2336322791P	CAP,MINI ELE 105°C	EC 220u/ 16V 8*7 P=5.0 T	C110	1
911	E-00000999	2336347613P	CAP,MINI ELE 105°C	EC 47u/ 16V 5*7 P=2.5 T	C111	1
912	N/A	2336310713P	CAP,MINI ELE 105°C	EC 100u/ 16V 6.3*7 P=2.5 T	C113	1
913	N/A	2336310713P	CAP,MINI ELE 105°C	EC 100u/ 16V 6.3*7 P=2.5 T	C115	1
914	E-00000999	2336347613P	CAP,MINI ELE 105°C	EC 47u/ 16V 5*7 P=2.5 T	C119	1
915	N/A	2336310713P	CAP,MINI ELE 105°C	EC 100u/ 16V 6.3*7 P=2.5 T	C120	1
916	N/A	2336310713P	CAP,MINI ELE 105°C	EC 100u/ 16V 6.3*7 P=2.5 T	C121	1
917	N/A	2336322791P	CAP,MINI ELE 105°C	EC 220u/ 16V 8*7 P=5.0 T	C122	1
918	N/A	2336310713P	CAP,MINI ELE 105°C	EC 100u/ 16V 6.3*7 P=2.5 T	C124	1
919	N/A	2336310713P	CAP,MINI ELE 105°C	EC 100u/ 16V 6.3*7 P=2.5 T	C125	1
920	N/A	2336310713P	CAP,MINI ELE 105°C	EC 100u/ 16V 6.3*7 P=2.5 T	C128	1
921	E-00000999	2336347613P	CAP,MINI ELE 105°C	EC 47u/ 16V 5*7 P=2.5 T	C130	1
922	N/A	2336310713P	CAP,MINI ELE 105°C	EC 100u/ 16V 6.3*7 P=2.5 T	C131	1
923	N/A	2336322791P	CAP,MINI ELE 105°C	EC 220u/ 16V 8*7 P=5.0 T	C132	1
924	N/A	2336047713P	HI-LIFE LOW ESR E.CAP (4000HR)	EC 470u/ 16V 8*12 P=5.0 T	C175	1
925	E-00000999	2336347613P	CAP,MINI ELE 105°C	EC 47u/ 16V 5*7 P=2.5 T	C192	1
926	N/A	2336022713P	HI-LIFE LOW ESR E.CAP (4000HR)	EC 220u/ 16V 8*7 P=5.0 T	C193	1
927	N/A	2336310713P	CAP,MINI ELE 105°C	EC 100u/ 16V 6.3*7 P=2.5 T	C210	1
928	N/A	2336022713P	HI-LIFE LOW ESR E.CAP (4000HR)	EC 220u/ 16V 8*7 P=5.0 T	C220	1
929	N/A	2336310713P	CAP,MINI ELE 105°C	EC 100u/ 16V 6.3*7 P=2.5 T	C222	1
930	N/A	2336610613P	CAP,MINI ELE 105°C	EC 10u/ 50V 5*7 P=2.5 T	C238	1
931	N/A	2336610613P	CAP,MINI ELE 105°C	EC 10u/ 50V 5*7 P=2.5 T	C244	1
932	N/A	2336610613P	CAP,MINI ELE 105°C	EC 10u/ 50V 5*7 P=2.5 T	C256	1

Item	ViewSonic P/N	Ref. P/N	Description	Location	Universal number#	Q'ty
933	N/A	2336610613P	CAP,MINI ELE 105°C EC 10u/ 50V 5*7 P=2.5 T	C270		1
934	N/A	2336310713P	CAP,MINI ELE 105°C EC 100u/ 16V 6.3*7 P=2.5 T	C271		1
935	N/A	2336610613P	CAP,MINI ELE 105°C EC 10u/ 50V 5*7 P=2.5 T	C280		1
936	N/A	2336310713P	CAP,MINI ELE 105°C EC 100u/ 16V 6.3*7 P=2.5 T	C300		1
937	N/A	2336610613P	CAP ELE 105°C EC 10u/ 50V 5*11 P=2.5 T	C317		1
938	N/A	2336310713P	CAP,MINI ELE 105°C EC 100u/ 16V 6.3*7 P=2.5 T	C359		1
939	N/A	2336310713P	CAP,MINI ELE 105°C EC 100u/ 16V 6.3*7 P=2.5 T	C362		1
940	N/A	2336310713P	CAP,MINI ELE 105°C EC 100u/ 16V 6.3*7 P=2.5 T	C363		1
941	N/A	2336610613P	CAP,MINI ELE 105°C EC 10u/ 50V 5*7 P=2.5 T	C368		1
942	N/A	2336310713P	CAP,MINI ELE 105°C EC 100u/ 16V 6.3*7 P=2.5 T	C417		1
943	N/A	2336310713P	CAP,MINI ELE 105°C EC 100u/ 16V 6.3*7 P=2.5 T	C427		1
944	N/A	2336310713P	CAP,MINI ELE 105°C EC 100u/ 16V 6.3*7 P=2.5 T	C428		1
945	N/A	2336310713P	CAP,MINI ELE 105°C EC 100u/ 16V 6.3*7 P=2.5 T	C431		1
946	N/A	2336310713P	CAP,MINI ELE 105°C EC 100u/ 16V 6.3*7 P=2.5 T	C437		1
947	N/A	2336310713P	CAP,MINI ELE 105°C EC 100u/ 16V 6.3*7 P=2.5 T	C438		1
948	N/A	2336322791P	CAP,MINI ELE 105°C EC 220u/ 16V 8*7 P=5.0 T	C450		1
949	N/A	2336310713P	CAP,MINI ELE 105°C EC 100u/ 16V 6.3*7 P=2.5 T	C516		1
950	N/A	2336310713P	CAP,MINI ELE 105°C EC 100u/ 16V 6.3*7 P=2.5 T	C537		1
951	N/A	2336610613P	CAP,MINI ELE 105°C EC 10u/ 50V 5*7 P=2.5 T	C549		1
952	N/A	2336610613P	CAP,MINI ELE 105°C EC 10u/ 50V 5*7 P=2.5 T	C584		1
953	N/A	233622613P	CAP ELE 105°C EC 22u/ 50V 5*11 P=2.5 T	C627		1
954	N/A	233622613P	CAP ELE 105°C EC 22u/ 50V 5*11 P=2.5 T	C628		1
955	N/A	233622613P	CAP ELE 105°C EC 22u/ 50V 5*11 P=2.5 T	C629		1
956	N/A	233622613P	CAP ELE 105°C EC 22u/ 50V 5*11 P=2.5 T	C630		1
957	N/A	233622613P	CAP ELE 105°C EC 22u/ 50V 5*11 P=2.5 T	C631		1
958	N/A	233622613P	CAP ELE 105°C EC 22u/ 50V 5*11 P=2.5 T	C632		1
959	N/A	2336610613P	CAP,MINI ELE 105°C EC 10u/ 50V 5*7 P=2.5 T	C634		1
960	N/A	2336610613P	CAP,MINI ELE 105°C EC 10u/ 50V 5*7 P=2.5 T	C635		1
961	N/A	2336610613P	CAP,MINI ELE 105°C EC 10u/ 50V 5*7 P=2.5 T	C645		1
962	N/A	2336647513P	CAP ELE 105°C EC 4.7u/ 50V 5*11 P=2.5 T	C646		1
963	N/A	2336610613P	CAP,MINI ELE 105°C EC 10u/ 50V 5*7 P=2.5 T	C649		1
964	N/A	2336647513P	CAP ELE 105°C EC 4.7u/ 50V 5*11 P=2.5 T	C650		1
965	E-00000999	2336347613P	CAP,MINI ELE 105°C EC 47u/ 16V 5*7 P=2.5 T	C652		1
966	N/A	2336610613P	CAP,MINI ELE 105°C EC 10u/ 50V 5*7 P=2.5 T	C665		1
967	N/A	2336322791P	CAP,MINI ELE 105°C EC 220u/ 16V 8*7 P=5.0 T	C669		1
968	E-00000999	2336347613P	CAP,MINI ELE 105°C EC 47u/ 16V 5*7 P=2.5 T	C671		1
969	E-00000999	2336347613P	CAP,MINI ELE 105°C EC 47u/ 16V 5*7 P=2.5 T	C673		1
970	N/A	2336610613P	CAP,MINI ELE 105°C EC 10u/ 50V 5*7 P=2.5 T	C679		1
971	N/A	233622613P	CAP ELE 105°C EC 22u/ 50V 5*11 P=2.5 T	C688		1
972	N/A	233622613P	CAP ELE 105°C EC 22u/ 50V 5*11 P=2.5 T	C691		1
973	N/A	2336310713P	CAP,MINI ELE 105°C EC 100u/ 16V 6.3*7 P=2.5 T	C735		1
974	N/A	2336310713P	CAP,MINI ELE 105°C EC 100u/ 16V 6.3*7 P=2.5 T	C741		1
975	N/A	2335347713P	CAP,ELE LOW ESR 105°C EC 470u/ 16V 8*12 P=5.0 T	C749		1
976	N/A	2335347713P	CAP,ELE LOW ESR 105°C EC 470u/ 16V 8*12 P=5.0 T	C750		1
977	N/A	2336022713P	HI-LIFE LOW ESR E.CAP (4000HR) EC 220u/ 16V 8*7 P=5.0 T	C785		1
978	N/A	2335347713P	CAP,ELE LOW ESR 105°C EC 470u/ 16V 8*12 P=5.0 T	C803		1
979	N/A	2335347713P	CAP,ELE LOW ESR 105°C EC 470u/ 16V 8*12 P=5.0 T	C804		1
980	N/A	2336647513P	CAP ELE 105°C EC 4.7u/ 50V 5*11 P=2.5 T	C805		1
981	N/A	2336610613P	CAP,MINI ELE 105°C EC 10u/ 50V 5*7 P=2.5 T	C816		1
982	N/A	2336610613P	CAP,MINI ELE 105°C EC 10u/ 50V 5*7 P=2.5 T	C817		1
983	N/A	2336610613P	CAP,MINI ELE 105°C EC 10u/ 50V 5*7 P=2.5 T	C820		1
984	N/A	2336610613P	CAP,MINI ELE 105°C EC 10u/ 50V 5*7 P=2.5 T	C847		1
985	N/A	2336610613P	CAP,MINI ELE 105°C EC 10u/ 50V 5*7 P=2.5 T	C855		1
986	N/A	2336310713P	CAP,MINI ELE 105°C EC 100u/ 16V 6.3*7 P=2.5 T	C865		1
987	N/A	2335347713P	CAP,ELE LOW ESR 105°C EC 470u/ 16V 8*12 P=5.0 T	C882		1
988	N/A	2335347713P	CAP,ELE LOW ESR 105°C EC 470u/ 16V 8*12 P=5.0 T	C884		1
989	N/A	2335347713P	CAP,ELE LOW ESR 105°C EC 470u/ 16V 8*12 P=5.0 T	C885		1
990	N/A	2371130101P	COIL,CHOKE T50-52 30uH 0.7mm/24Ts	L219		1
991	N/A	2371130101P	COIL,CHOKE T50-52 30uH 0.7mm/24Ts	L227		1
992	N/A	2371130101P	COIL,CHOKE T50-52 30uH 0.7mm/24Ts	L828		1
993	N/A	2346110496P	CAP,CHIP 125°C CS 0603/X7R/50V 0.1u K T	C127		1
994	N/A	2346110496P	CAP,CHIP 125°C CS 0603/X7R/50V 0.1u K T	C139		1
995	N/A	2346110496P	CAP,CHIP 125°C CS 0603/X7R/50V 0.1u K T	C140		1
996	N/A	2346110496P	CAP,CHIP 125°C CS 0603/X7R/50V 0.1u K T	C141		1
997	N/A	2346110496P	CAP,CHIP 125°C CS 0603/X7R/50V 0.1u K T	C142		1
998	N/A	2346110496P	CAP,CHIP 125°C CS 0603/X7R/50V 0.1u K T	C143		1
999	N/A	2346110496P	CAP,CHIP 125°C CS 0603/X7R/50V 0.1u K T	C144		1
1000	N/A	2346110496P	CAP,CHIP 125°C CS 0603/X7R/50V 0.1u K T	C145		1
1001	N/A	2346110496P	CAP,CHIP 125°C CS 0603/X7R/50V 0.1u K T	C146		1
1002	N/A	2346110496P	CAP,CHIP 125°C CS 0603/X7R/50V 0.1u K T	C147		1
1003	N/A	2346110496P	CAP,CHIP 125°C CS 0603/X7R/50V 0.1u K T	C148		1
1004	N/A	2346110496P	CAP,CHIP 125°C CS 0603/X7R/50V 0.1u K T	C149		1
1005	N/A	2346110496P	CAP,CHIP 125°C CS 0603/X7R/50V 0.1u K T	C150		1
1006	N/A	2346110496P	CAP,CHIP 125°C CS 0603/X7R/50V 0.1u K T	C151		1
1007	N/A	2346110496P	CAP,CHIP 125°C CS 0603/X7R/50V 0.1u K T	C152		1
1008	N/A	2346110496P	CAP,CHIP 125°C CS 0603/X7R/50V 0.1u K T	C153		1
1009	N/A	2346110496P	CAP,CHIP 125°C CS 0603/X7R/50V 0.1u K T	C154		1
1010	N/A	2346110496P	CAP,CHIP 125°C CS 0603/X7R/50V 0.1u K T	C155		1

Item	ViewSonic P/N	Ref. P/N	Description	Location	Universal number#	Q'ty
1089	N/A	2346110496P	CAP,CHIP 125°C	CS 0603/X7R/50V 0.1u K T	C269	1
1090	N/A	2346110496P	CAP,CHIP 125°C	CS 0603/X7R/50V 0.1u K T	C273	1
1091	N/A	2347647596P	CAP,CHIP 85°C	CS 0805/Y5V/16V 4.7u Z T	C276	1
1092	N/A	2346110496P	CAP,CHIP 125°C	CS 0603/X7R/50V 0.1u K T	C277	1
1093	N/A	2347710696P	CAP,CHIP 85°C	CS 0805/Y5V/10V 10u Z T	C278	1
1094	N/A	2346110496P	CAP,CHIP 125°C	CS 0603/X7R/50V 0.1u K T	C283	1
1095	N/A	2347647596P	CAP,CHIP 85°C	CS 0805/Y5V/16V 4.7u Z T	C284	1
1096	N/A	2346110496P	CAP,CHIP 125°C	CS 0603/X7R/50V 0.1u K T	C285	1
1097	N/A	2346133296P	CAP,CHIP 125°C	CS 0603/X7R/50V 3300p K T	C288	1
1098	N/A	2346110496P	CAP,CHIP 125°C	CS 0603/X7R/50V 0.1u K T	C289	1
1099	N/A	2346110496P	CAP,CHIP 125°C	CS 0603/X7R/50V 0.1u K T	C290	1
1100	N/A	2346110496P	CAP,CHIP 125°C	CS 0603/X7R/50V 0.1u K T	C291	1
1101	N/A	2346110496P	CAP,CHIP 125°C	CS 0603/X7R/50V 0.1u K T	C292	1
1102	N/A	2346110496P	CAP,CHIP 125°C	CS 0603/X7R/50V 0.1u K T	C293	1
1103	E-C-0404-4424	2346110396P	CAP,CHIP 125°C	CS 0603/X7R/50V 0.01u K T	C294	1
1104	N/A	2346133296P	CAP,CHIP 125°C	CS 0603/X7R/50V 3300p K T	C295	1
1105	N/A	2346133296P	CAP,CHIP 125°C	CS 0603/X7R/50V 3300p K T	C296	1
1106	N/A	2346133296P	CAP,CHIP 125°C	CS 0603/X7R/50V 3300p K T	C297	1
1107	N/A	2346133296P	CAP,CHIP 125°C	CS 0603/X7R/50V 3300p K T	C298	1
1108	N/A	2346110496P	CAP,CHIP 125°C	CS 0603/X7R/50V 0.1u K T	C301	1
1109	N/A	2346110496P	CAP,CHIP 125°C	CS 0603/X7R/50V 0.1u K T	C302	1
1110	N/A	2346110496P	CAP,CHIP 125°C	CS 0603/X7R/50V 0.1u K T	C303	1
1111	N/A	2346110496P	CAP,CHIP 125°C	CS 0603/X7R/50V 0.1u K T	C360	1
1112	N/A	2341110296P	CAP,CHIP 125°C	CS 0603/COG/50V 1000p J T	C361	1
1113	N/A	2346110496P	CAP,CHIP 125°C	CS 0603/X7R/50V 0.1u K T	C366	1
1114	N/A	2341110296P	CAP,CHIP 125°C	CS 0603/COG/50V 1000p J T	C367	1
1115	N/A	2346110496P	CAP,CHIP 125°C	CS 0603/X7R/50V 0.1u K T	C369	1
1116	N/A	2341110296P	CAP,CHIP 125°C	CS 0603/COG/50V 1000p J T	C370	1
1117	N/A	2346110496P	CAP,CHIP 125°C	CS 0603/X7R/50V 0.1u K T	C371	1
1118	N/A	2341110296P	CAP,CHIP 125°C	CS 0603/COG/50V 1000p J T	C372	1
1119	N/A	2346110496P	CAP,CHIP 125°C	CS 0603/X7R/50V 0.1u K T	C373	1
1120	N/A	2341110296P	CAP,CHIP 125°C	CS 0603/COG/50V 1000p J T	C374	1
1121	N/A	2346110496P	CAP,CHIP 125°C	CS 0603/X7R/50V 0.1u K T	C375	1
1122	N/A	2341110296P	CAP,CHIP 125°C	CS 0603/COG/50V 1000p J T	C376	1
1123	N/A	2346110496P	CAP,CHIP 125°C	CS 0603/X7R/50V 0.1u K T	C377	1
1124	N/A	2346110496P	CAP,CHIP 125°C	CS 0603/X7R/50V 0.1u K T	C379	1
1125	N/A	2341110296P	CAP,CHIP 125°C	CS 0603/COG/50V 1000p J T	C380	1
1126	N/A	2346110496P	CAP,CHIP 125°C	CS 0603/X7R/50V 0.1u K T	C381	1
1127	N/A	2341110296P	CAP,CHIP 125°C	CS 0603/COG/50V 1000p J T	C382	1
1128	N/A	2346110496P	CAP,CHIP 125°C	CS 0603/X7R/50V 0.1u K T	C383	1
1129	N/A	2341110296P	CAP,CHIP 125°C	CS 0603/COG/50V 1000p J T	C384	1
1130	N/A	2346110496P	CAP,CHIP 125°C	CS 0603/X7R/50V 0.1u K T	C385	1
1131	N/A	2341110296P	CAP,CHIP 125°C	CS 0603/COG/50V 1000p J T	C386	1
1132	N/A	2346110496P	CAP,CHIP 125°C	CS 0603/X7R/50V 0.1u K T	C387	1
1133	N/A	2341110296P	CAP,CHIP 125°C	CS 0603/COG/50V 1000p J T	C388	1
1134	N/A	2346110496P	CAP,CHIP 125°C	CS 0603/X7R/50V 0.1u K T	C389	1
1135	N/A	2341110296P	CAP,CHIP 125°C	CS 0603/COG/50V 1000p J T	C390	1
1136	N/A	2346110496P	CAP,CHIP 125°C	CS 0603/X7R/50V 0.1u K T	C391	1
1137	N/A	2341110296P	CAP,CHIP 125°C	CS 0603/COG/50V 1000p J T	C392	1
1138	N/A	2346110496P	CAP,CHIP 125°C	CS 0603/X7R/50V 0.1u K T	C393	1
1139	N/A	2341110296P	CAP,CHIP 125°C	CS 0603/COG/50V 1000p J T	C394	1
1140	N/A	2346110496P	CAP,CHIP 125°C	CS 0603/X7R/50V 0.1u K T	C395	1
1141	N/A	2341110296P	CAP,CHIP 125°C	CS 0603/COG/50V 1000p J T	C396	1
1142	N/A	2346110496P	CAP,CHIP 125°C	CS 0603/X7R/50V 0.1u K T	C397	1
1143	N/A	2341110296P	CAP,CHIP 125°C	CS 0603/COG/50V 1000p J T	C398	1
1144	N/A	2346110496P	CAP,CHIP 125°C	CS 0603/X7R/50V 0.1u K T	C399	1
1145	N/A	2341110296P	CAP,CHIP 125°C	CS 0603/COG/50V 1000p J T	C400	1
1146	N/A	2346110496P	CAP,CHIP 125°C	CS 0603/X7R/50V 0.1u K T	C402	1
1147	N/A	2341110296P	CAP,CHIP 125°C	CS 0603/COG/50V 1000p J T	C403	1
1148	N/A	2346110496P	CAP,CHIP 125°C	CS 0603/X7R/50V 0.1u K T	C404	1
1149	N/A	2341110296P	CAP,CHIP 125°C	CS 0603/COG/50V 1000p J T	C405	1
1150	N/A	2346110496P	CAP,CHIP 125°C	CS 0603/X7R/50V 0.1u K T	C406	1
1151	N/A	2341110296P	CAP,CHIP 125°C	CS 0603/COG/50V 1000p J T	C407	1
1152	N/A	2346110496P	CAP,CHIP 125°C	CS 0603/X7R/50V 0.1u K T	C408	1
1153	N/A	2341110296P	CAP,CHIP 125°C	CS 0603/COG/50V 1000p J T	C409	1
1154	N/A	2346110396P	CAP,CHIP 125°C	CS 0603/X7R/50V 0.01u K T	C411	1
1155	N/A	2346110496P	CAP,CHIP 125°C	CS 0603/X7R/50V 0.1u K T	C494	1
1156	N/A	2346110496P	CAP,CHIP 125°C	CS 0603/X7R/50V 0.1u K T	C495	1
1157	N/A	2346110496P	CAP,CHIP 125°C	CS 0603/X7R/50V 0.1u K T	C496	1
1158	N/A	2346110496P	CAP,CHIP 125°C	CS 0603/X7R/50V 0.1u K T	C497	1
1159	N/A	2346110496P	CAP,CHIP 125°C	CS 0603/X7R/50V 0.1u K T	C498	1
1160	N/A	2346110496P	CAP,CHIP 125°C	CS 0603/X7R/50V 0.1u K T	C499	1
1161	N/A	2346110496P	CAP,CHIP 125°C	CS 0603/X7R/50V 0.1u K T	C500	1
1162	N/A	2346110496P	CAP,CHIP 125°C	CS 0603/X7R/50V 0.1u K T	C501	1
1163	N/A	2346110496P	CAP,CHIP 125°C	CS 0603/X7R/50V 0.1u K T	C502	1
1164	N/A	2346110496P	CAP,CHIP 125°C	CS 0603/X7R/50V 0.1u K T	C503	1
1165	N/A	2346110496P	CAP,CHIP 125°C	CS 0603/X7R/50V 0.1u K T	C504	1
1166	N/A	2346110496P	CAP,CHIP 125°C	CS 0603/X7R/50V 0.1u K T	C505	1

Item	ViewSonic P/N	Ref. P/N	Description	Location	Universal number#	Q'ty
1245	N/A	2346110496P	CAP,CHIP 125°C	CS 0603/X7R/50V 0.1u K T	C600	1
1246	N/A	2347647596P	CAP,CHIP 85°C	CS 0805/Y5V/16V 4.7u Z T	C601	1
1247	N/A	2346110496P	CAP,CHIP 125°C	CS 0603/X7R/50V 0.1u K T	C602	1
1248	N/A	2346110496P	CAP,CHIP 125°C	CS 0603/X7R/50V 0.1u K T	C603	1
1249	N/A	2346110496P	CAP,CHIP 125°C	CS 0603/X7R/50V 0.1u K T	C604	1
1250	N/A	2346110496P	CAP,CHIP 125°C	CS 0603/X7R/50V 0.1u K T	C606	1
1251	N/A	2346110496P	CAP,CHIP 125°C	CS 0603/X7R/50V 0.1u K T	C607	1
1252	N/A	2346110496P	CAP,CHIP 125°C	CS 0603/X7R/50V 0.1u K T	C666	1
1253	N/A	2346110496P	CAP,CHIP 125°C	CS 0603/X7R/50V 0.1u K T	C675	1
1254	N/A	2346110496P	CAP,CHIP 125°C	CS 0603/X7R/50V 0.1u K T	C676	1
1255	N/A	2346110496P	CAP,CHIP 125°C	CS 0603/X7R/50V 0.1u K T	C677	1
1256	N/A	2346110496P	CAP,CHIP 125°C	CS 0603/X7R/50V 0.1u K T	C680	1
1257	N/A	2346110496P	CAP,CHIP 125°C	CS 0603/X7R/50V 0.1u K T	C682	1
1258	N/A	2346110496P	CAP,CHIP 125°C	CS 0603/X7R/50V 0.1u K T	C683	1
1259	N/A	2346110496P	CAP,CHIP 125°C	CS 0603/X7R/50V 0.1u K T	C684	1
1260	N/A	2346110396P	CAP,CHIP 125°C	CS 0603/X7R/50V 0.01u K T	C866	1
1261	N/A	2346110396P	CAP,CHIP 125°C	CS 0603/X7R/50V 0.01u K T	C867	1
1262	N/A	2346110396P	CAP,CHIP 125°C	CS 0603/X7R/50V 0.01u K T	C868	1
1263	N/A	2346110396P	CAP,CHIP 125°C	CS 0603/X7R/50V 0.01u K T	C869	1
1264	N/A	2346110396P	CAP,CHIP 125°C	CS 0603/X7R/50V 0.01u K T	C870	1
1265	N/A	2346110396P	CAP,CHIP 125°C	CS 0603/X7R/50V 0.01u K T	C871	1
1266	N/A	2346110396P	CAP,CHIP 125°C	CS 0603/X7R/50V 0.01u K T	C872	1
1267	N/A	2346110396P	CAP,CHIP 125°C	CS 0603/X7R/50V 0.01u K T	C873	1
1268	N/A	2346110396P	CAP,CHIP 125°C	CS 0603/X7R/50V 0.01u K T	C874	1
1269	N/A	2346110396P	CAP,CHIP 125°C	CS 0603/X7R/50V 0.01u K T	C875	1
1270	N/A	2346110396P	CAP,CHIP 125°C	CS 0603/X7R/50V 0.01u K T	C876	1
1271	N/A	2346110396P	CAP,CHIP 125°C	CS 0603/X7R/50V 0.01u K T	C877	1
1272	N/A	2364302496P	DIODE,SCHOTTKY(SMD)	SM17 DO-214AC MOSPEC	D821	1
1273	N/A	2364302496P	DIODE,SCHOTTKY(SMD)	SM17 DO-214AC MOSPEC	D822	1
1274	N/A	2364302496P	DIODE,SCHOTTKY(SMD)	SM17 DO-214AC MOSPEC	D823	1
1275	N/A	2364302496P	DIODE,SCHOTTKY(SMD)	SM17 DO-214AC MOSPEC	D824	1
1276	N/A	2364302496P	DIODE,SCHOTTKY(SMD)	SM17 DO-214AC MOSPEC	D825	1
1277	N/A	2364302496P	DIODE,SCHOTTKY(SMD)	SM17 DO-214AC MOSPEC	D826	1
1278	N/A	2379512106P	BEAD,HI-CURRENT	Z= 120 ohm 0603 I=3.0A	L144	1
1279	E-R-0405-6600	2253200096P	RES CHIP 1/10W	RC 0603 1/10W 0 ohm J T	R213	1
1280	E-R-0405-6600	2253200096P	RES CHIP 1/10W	RC 0603 1/10W 0 ohm J T	R219	1
1281	N/A	2253247096P	RES CHIP 1/10W	RC 0603 1/10W 47 ohm J T	R262	1
1282	N/A	2253247096P	RES CHIP 1/10W	RC 0603 1/10W 47 ohm J T	R276	1
1283	N/A	2253247096P	RES CHIP 1/10W	RC 0603 1/10W 47 ohm J T	R278	1
1284	E-R-0405-6419	2253247296P	RES CHIP 1/10W	RC 0603 1/10W 4.7Kohm J T	R317	1
1285	E-R-0405-6419	2253247296P	RES CHIP 1/10W	RC 0603 1/10W 4.7Kohm J T	R318	1
1286	E-R-0405-7116	2253400096P	RES CHIP 1/4W	RC 1206 1/4 W 0 ohm J T	R870	1
1287	E-C-0404-3096	2335310812P	CAP,ELE LOW ESR 105°C	EC 1000u/ 16V 10*20 P=5.0 K	C105	1
1288	E-C-0404-3096	2335310812P	CAP,ELE LOW ESR 105°C	EC 1000u/ 16V 10*20 P=5.0 K	C106	1
1289	N/A	2336347611P	CAP,MINI ELE 105°C	EC 47u/ 16V 5*7 P=2.0 C	C117	1
1290	N/A	2336310701P	CAP,MINI ELE105°C	EC 100u/ 16V 6.3*7 P=2.5 C	C118	1
1291	E-C-0404-3096	2335310812P	CAP,ELE LOW ESR 105°C	EC 1000u/ 16V 10*20 P=5.0 K	C212	1
1292	N/A	2336310711P	CAP,MINI ELE 105°C	EC 100u/ 16V 6.3*7 P=2.5 C	C219	1
1293	N/A	2336610611P	CAP,MINI ELE 105°C	EC 10u/ 50V 5*7 P=2.0 C	C226	1
1294	N/A	2336610611P	CAP,MINI ELE 105°C	EC 10u/ 50V 5*7 P=2.0 C	C227	1
1295	N/A	2336347611P	CAP,MINI ELE 105°C	EC 47u/ 16V 5*7 P=2.0 C	C234	1
1296	N/A	2336610611P	CAP,MINI ELE 105°C	EC 10u/ 50V 5*7 P=2.0 C	C252	1
1297	N/A	2336610611P	CAP,MINI ELE 105°C	EC 10u/ 50V 5*7 P=2.0 C	C264	1
1298	N/A	2336610611P	CAP,MINI ELE 105°C	EC 10u/ 50V 5*7 P=2.0 C	C274	1
1299	N/A	2336310711P	CAP,MINI ELE 105°C	EC 100u/ 16V 6.3*7 P=2.5 C	C281	1
1300	N/A	2336610611P	CAP,MINI ELE 105°C	EC 10u/ 50V 5*7 P=2.0 C	C358	1
1301	N/A	2336610611P	CAP,MINI ELE 105°C	EC 10u/ 50V 5*7 P=2.0 C	C365	1
1302	N/A	2336347611P	CAP,MINI ELE 105°C	EC 47u/ 16V 5*7 P=2.0 C	C448	1
1303	N/A	2336347611P	CAP,MINI ELE 105°C	EC 47u/ 16V 5*7 P=2.0 C	C449	1
1304	N/A	2336022711P	HI-LIFE LOW ESR ELE CAP	EC 220u/ 16V 8*7 P=3.5 C	C490	1
1305	N/A	2336347611P	CAP,MINI ELE 105°C	EC 47u/ 16V 5*7 P=2.0 C	C492	1
1306	N/A	2336610611P	CAP,MINI ELE 105°C	EC 10u/ 50V 5*7 P=2.0 C	C559	1
1307	N/A	2336610611P	CAP,MINI ELE 105°C	EC 10u/ 50V 5*7 P=2.0 C	C571	1
1308	N/A	2336610611P	CAP,MINI ELE 105°C	EC 10u/ 50V 5*7 P=2.0 C	C686	1
1309	N/A	2336347611P	CAP,MINI ELE 105°C	EC 47u/ 16V 5*7 P=2.0 C	C727	1
1310	E-C-0404-3096	2335310812P	CAP,ELE LOW ESR 105°C	EC 1000u/ 16V 10*20 P=5.0 K	C737	1
1311	N/A	2336347611P	CAP,MINI ELE 105°C	EC 47u/ 16V 5*7 P=2.0 C	C802	1
1312	N/A	2336610611P	CAP,MINI ELE 105°C	EC 10u/ 50V 5*7 P=2.0 C	C836	1
1313	N/A	2336347611P	CAP,MINI ELE 105°C	EC 47u/ 16V 5*7 P=2.0 C	C863	1
1314	N/A	2336310711P	CAP,MINI ELE 105°C	EC 100u/ 16V 6.3*7 P=2.5 C	C886	1
1315	E-00008040	2365104000P	MEMORY IC	24LC22A-I/P PDIP-8 MICROCHIP	I116	1
1316	N/A	2365412600P	DIGITAL IC	24LC21A/P PSDIP-8 MICROCHIP	I133	1
1317	N/A	2365328600P	LINEAR IC	AT24C16A-10PI-2.7 PDIP-8 ATMEL	I144 RA	1
1318	N/A	2365316200P	LINEAR IC	24LC16B-I/PG DIP-8 MICROCHIP	I144 RB	1
1319	N/A	2413103600P	RELAY,DC	G6Y-1 5VDC OMRON	I801	1
1320	N/A	2416903000P	UV TUNER	DTVS205CH201A SAMSUNG	I804	1
1321	E-00008040	2365104000P	MEMORY IC	24LC22A-I/P PDIP-8 MICROCHIP	I811	1
1322	E-00008040	2365104000P	MEMORY IC	24LC22A-I/P PDIP-8 MICROCHIP	I812	1

Item	ViewSonic P/N	Ref. P/N	Description	Location	Universal number#	Q'ty
1323	N/A	243800001P	SOFTWARE	HDCP KEY CODE	KC01	1
1324	N/A	2371147101P	COIL,CHOKE	47uH	L121	1
1325	N/A	2371147101P	COIL,CHOKE	47uH	L123	1
1326	N/A	2405322201P	RCA JACK	2*2P (4P BLU/YEL/RED/GRN)	P101	1
1327	N/A	2405324201P	RCA JACK	2*2P (WHITE/RED)	P102	1
1328	N/A	2407442900P	SOCKET	MINI DIN 4P SIDE BLACK	P103	1
1329	N/A	2407430900P	SOCKET	DHSB-15FTF7 BLUE(661C) LEOCO	P106	1
1330	N/A	2405106000P	EARPHONE JACK	2SJ-P520-A04 (577C) SINGATRON	P107	1
1331	N/A	2405322202P	RCA JACK	RCA JACK 2P (WHT/RED)	P108	1
1332	N/A	2404300003P	CONNECTOR	JST XH 4P TOP P=2.5 OR EQUAL	P109	1
1333	N/A	2405105900P	EARPHONE JACK	ERR 3.5 ϕ SIDE 284C(BLUE)	P110	1
1334	N/A	2404301107P	CONNECTOR	JST PH 8P SIDE P=2.0 OR EQUAL	P112	1
1335	N/A	2404301106P	CONNECTOR	JST PH 7P SIDE P=2.0 OR EQUAL	P113	1
1336	N/A	2405900100P	OTHERS JACK (OPTICAL)	20J-0104-001 SINGATRON	P116	1
1337	N/A	2405800400P	RF PLUG	F-C056 CRF	P802	1
1338	N/A	2404312130P	CONNECTOR	2R1L TOP P=2.0mm 2046P**V***	P803	1
1339	N/A	2404301111P	CONNECTOR	JST PH 12P SIDE P=2.0 OR EQUAL	P804	1
1340	N/A	2404301110P	CONNECTOR	JST PH 11P SIDE P=2.0 OR EQUAL	P805	1
1341	N/A	2405800400P	RF PLUG	F-C056 CRF	P807	1
1342	N/A	2405800400P	RF PLUG	F-C056 CRF	P808	1
1343	N/A	2072259900P	HEAT SINK	AL 6063 T5 11*11*10(H)	9H01	1
1344	N/A	2072257200P	HEAT SINK	JP166K AL28*28*8H	9H02	1
1345	N/A	2404301106P	CONNECTOR	JST PH 7P SIDE P=2.0 OR EQUAL	P701	1
1346	M-SW-0815-0182	2403702200P	TACT SWITCH	TSAA-2 HUAJIE	S702	1
1347	M-SW-0815-0182	2403702200P	TACT SWITCH	TSAA-2 HUAJIE	S703	1
1348	M-SW-0815-0182	2403702200P	TACT SWITCH	TSAA-2 HUAJIE	S704	1
1349	M-SW-0815-0182	2403702200P	TACT SWITCH	TSAA-2 HUAJIE	S705	1
1350	M-SW-0815-0182	2403702200P	TACT SWITCH	TSAA-2 HUAJIE	S706	1
1351	M-SW-0815-0182	2403702200P	TACT SWITCH	TSAA-2 HUAJIE	S707	1
1352	N/A	2202129800P	PC BOARD	JC278 KEY/B CEM1 120*20 V1.00	U701	1
1353	N/A	2363705101P	LED	L-3WEGW KINGBRIGHT	D721	1
1354	N/A	2419301400P	RECEIV BLOCK	ECM-A38-3VS28 ECEL	I721	1
1355	M-MS-0808-6354	2404301105P	CONNECTOR	JST PH 6P SIDE P=2.0 OR EQUAL	P711	1
1356	M-SW-0815-0182	2403702200P	TACT SWITCH	TSAA-2 HUAJIE	S721	1
1357	N/A	2202129901P	PC BOARD	JC278 IR/B CEM1 54*53 V2.01	U702	1
1358	B-00006605	2200237018P	PC BOARD ASS'Y	FSP271-5F01 SPI	U801 RA	1
1359	B-00008058	2200237015P	PC BOARD ASS'Y	DARFON	U801 RB	1
1360	B-00008088	2200237017P	PC BOARD ASS'Y	LIENCHEN	U801 RC	1
1361	N/A	2024271102P	FRONT BEZEL	JC378UB HDMI ABS94HB BLACK	1F01	1
1362	N/A	2054257003P	ORNAMENT	JC378EC FRONT BAR 94HB BLACK C	1F02	1
1363	N/A	2031151400P	DOOR PANEL	VE800 PVC 15*8mm t=0.6mm	1F03	1
1364	N/A	2053754201P	LED INDIC.-PWR	JC278UB PMMA LIMPID	1F04	1
1365	N/A	2044266901P	FUNCTION KEY	JC278UB ABS 94V0 AL-PLATE PWR	1F06	1
1366	N/A	2051355700P	NAME PLATE	57*9.1MM ELECTOR LABEL N3251W	1F08	1
1367	N/A	2427430034P	WIRE HARNESS	30/30P H/H 1571#28 L=400mm	P507	1
1368	N/A	2427414011P	WIRE HARNESS	10/14P H/H 1061#26 L=210mm	P508	1
1369	N/A	2427411003P	WIRE HARNESS	11/11P H/H 1007#24 L=150mm	P509	1
1370	N/A	2427412012P	WIRE HARNESS	12/12P H/H 1007#24 L=150mm	P510	1
1371	N/A	2427704061P	CABLE	F/F RG-179 L=600mm	P511	1
1372	N/A	2427404025P	WIRE HARNESS	4/2+2P H/A 1007#24 L=820mm	P605	1
1373	N/A	2427408014P	WIRE HARNESS	6/8P H/H 1007#26 L=550mm	P712	1
1374	N/A	2427407009P	WIRE HARNESS	7/7P H/H 1007#26 L=480mm	P713	1
1375	N/A	2407002100P	SOCKET,ASSY	INLET/5P L=240/60mm	P801	1
1376	E-00006614	2212009900P	LCD PANEL	CLAA370WA-02 CPT	V901	1
1377	N/A	2071978100P	METAL FITTG	JC378EC CPT WA02 TOP SECC1.0T	5F01	1
1378	N/A	2082740082P	SCREW,BND+	M4X8(BND+)	5F02	5
1379	N/A	2071978100P	METAL FITTG	JC378EC CPT WA02 TOP SECC1.0T	5F03	1
1380	N/A	2082740082P	SCREW,BND+	M4X8(BND+)	5F04	5
1381	N/A	2071978200P	METAL FITTG	JC378EC CPT WA02 SIDE SECC1.0T	5F05	1
1382	N/A	2082740082P	SCREW,BND+	M4X8(BND+)	5F06	4
1383	N/A	2081440082P	SCREW,(WASH)	M4X8 P=0.7(TOOTH WASHER)	5F07	2
1384	N/A	2071978200P	METAL FITTG	JC378EC CPT WA02 SIDE SECC1.0T	5F08	1
1385	N/A	2082740082P	SCREW,BND+	M4X8(BND+)	5F09	4
1386	N/A	2081440082P	SCREW,(WASH)	M4X8 P=0.7(TOOTH WASHER)	5F10	2
1387	N/A	2071878000P	BRACKET,FIX	JC378EC FRAME VERT SECC1.0T	5F11	3
1388	N/A	2081440082P	SCREW,(WASH)	M4X8 P=0.7(TOOTH WASHER)	5F12	3
1389	N/A	2071877900P	BRACKET,FIX	JC378EC FRAME HORI SECC1.0T	5F13	2
1390	N/A	2071879600P	BRACKET,FIX	JC378EC FRAME SUB VERT SECC0.8	5F14	2
1391	N/A	2071881600P	BRACKET,FIX	JC378EC POWER PCB(V) SECC 0.8T	5F15	1
1392	N/A	2081440082P	SCREW,(WASH)	M4X8 P=0.7(TOOTH WASHER)	5F16	6
1393	N/A	2071675900P	SHIELD PLATE	JC378EC PCB BOTTOM SPTE 0.3T	5F17	1
1394	N/A	2072052100P	METAL FITTG-I/O	JC378EC SECC1.0T AMERICA DIGIT	5F18	1
1395	N/A	2082630062P	SCREW	M3X6 P=0.5	5F19	6
1396	N/A	2081440082P	SCREW,(WASH)	M4X8 P=0.7(TOOTH WASHER)	5F20	8
1397	N/A	2082630062P	SCREW	M3X6 P=0.5	5F21	3
1398	M-SCW-0824-0285	2084730082P	SCREW,BND T+	M3X8(BND T+)	5F22	3
1399	M-SCW-0824-0811	2080003700P	SCREW,SPE	ISZZTER001A M3*6L MSWR17/FZMY1	5F23	1
1400	E-00008039	2391310062P	SPEAKER ASS'Y	10W/6ohm L228*W65*H77mm D.L	W901	2

Item	ViewSonic P/N	Ref. P/N	Description	Location	Universal number#	Q'ty
1401	M-SCW-0824-0123	2084740102P	SCREW,BND T+	M4X10(BND T+)	6F01	12
1402	C-00006611	2027262402P	DUST COVER	JC378EC KEY ABS94HB BLACK	6F02	1
1403	N/A	2044266601P	FUNCTION KEY	JC278 ABS 94V0 AL-PLATE FUNCTI	6F03	1
1404	M-SCW-0824-0812	2084730062P	SCREW,BND T+	M3X6(BND T+)	6F04	2
1405	N/A	2082630062P	SCREW	M3X6 P=0.5	6F05	2
1406	M-SCW-0824-0812	2084730062P	SCREW,BND T+	M3X6(BND T+)	6F06	4
1407	N/A	2071879801P	BRACKET,FIX	JC378EC MAIN PCB SECC0.8T A.D	6F07	1
1408	N/A	2082630062P	SCREW	M3X6 P=0.5	6F08	2
1409	M-SCW-0824-0811	2080003700P	SCREW,SPE	ISZZTER001A M3*6L MSWR17/FZMYI	6F09	4
1410	M-SCW-0824-0811	2080003700P	SCREW,SPE	ISZZTER001A M3*6L MSWR17/FZMYI	6F10	2
1411	N/A	2071879900P	BRACKET,FIX	JC378EC POWER PCB (T) SECC0.8T	6F11	1
1412	N/A	2082630062P	SCREW	M3X6 P=0.5	6F12	2
1413	N/A	2071880000P	BRACKET,FIX	JC378EC POWER PCB (B) SECC0.8T	6F13	1
1414	M-SCW-0824-0811	2080003700P	SCREW,SPE	ISZZTER001A M3*6L MSWR17/FZMYI	6F14	2
1415	M-SCW-0824-0811	2080003700P	SCREW,SPE	ISZZTER001A M3*6L MSWR17/FZMYI	6F15	6
1416	N/A	2083630068P	SCREW FMS+	M3X6,M,S-TITE,F,NI	6F16	2
1417	N/A	2080006900P	SCREW,SPE	M4*10MM P TYPE:9.1MM	6F28	4
1418	N/A	2080006900P	SCREW,SPE	M4*10MM P TYPE:9.1MM	6F30	4
1419	N/A	2071977000P	METAL FITTG	JC378EC VESA SUPPORT SECC 1.0T	6F31	1
1420	N/A	2082630062P	SCREW	M3X6 P=0.5	6F32	20
1421	N/A	2071879700P	BRACKET,FIX	JC378EC STAND SUPPORT SECC2.0T	6F33	1
1422	N/A	2081440082P	SCREW,(WASH)	M4X8 P=0.7(TOOTH WASHER)	6F34	2
1423	N/A	2081440082P	SCREW,(WASH)	M4X8 P=0.7(TOOTH WASHER)	6F35	3
1424	M-SCW-0824-0123	2084740102P	SCREW,BND T+	M4X10(BND T+)	6F36	6
1425	N/A	2081440082P	SCREW,(WASH)	M4X8 P=0.7(TOOTH WASHER)	6F37	1
1426	C-00008082	2022265104P	CABI BACK	JC378EC UA DIGIT 94HB BLACK	2C01	1
1427	N/A	2055636069P	LABEL	N3752W VS11405-1M SMALL LABEL	6P05	1
1428	M-LB-0813-0530	2055617101P	LABEL	10*20 HI-POT TESTED OK	6P13	1
1429	N/A	2055135189P	LABEL	N3752W VS11405-1M USA CPT	6P50	1
1430	PL-00008027	2028260602P	STAND	JC378UB ABS94HB BLACK	5B01	1
1431	N/A	2071871701P	BRACKET,FIX	AL-BLACK ARM	5B02	1
1432	HW-00008018	2071882200P	BRACKET,FIX	JC378UB STAND SECC 2.0T	5B03	1
1433	N/A	2082340102P	SCREW,CSK+	SCREW F M4X10 (CSK+)	5B04	4
1434	N/A	2084740082P	SCREW,BND T+	M4X8(BND T+)	5B05	12
1435	N/A	2039819901P	FOOT PAD	RUBBERφ16*2.0+ SQUARE GRAIN	5B06	8
1436	N/A	2054257101P	ORNAMENT	JC378UB BASE(L) 94HB AL-PLATE	5B07	1
1437	N/A	2054257201P	ORNAMENT	JC378UB BASE(R) 94HB AL-PLATE	5B08	1
1438	N/A	2081440084P	SCREW,(WASH)	M4*8 P=0.7(TOOTH WASHER) BLACK	6B01	4
1439	N/A	2082340102P	SCREW,CSK+	SCREW F M4X10 (CSK+)	6B02	6
1440	N/A	2080005900P	SCREW,SPE	M6*10MM TYPE"1" BLACK ZN	6B03	6
1441	N/A	2084740104P	SCREW,BND T+	M4X10(BND T+) (BLK)	6B04	2
1442	C-00006612	2027262502P	DUST COVER	JC378EC I/O ABS94HB BLACK	6B05	1
1443	N/A	2082750402P	SCREW,BND+	M5X40,M,P,ZN-CC	6B06	4
1444	N/A	2005100400P	BATTERY,DRY	R6PGS 1.5V (AA) CHINA TOSHIBA	B901	2
1445	A-00008027	2419200105P	CONT BLOCK	N3751W UBRC-120 SMK	H901	1
1446	A-00005362	2427130046P	AC POWER CORD	USA WALL 1.83M BLACK	P951	1
1447	A-VC-0101-0386	2427501187P	I/O CABLE	D15/D15 20276(3+6) 1.83M BLACK	P961 RA	1
1448	CB-00005507	2427501195P	I/O CABLE	D15/D15 20276(4.5) 1.83M BLACK	P961 RB	1
1449	CB-00003425	2427701893P	CABLE	RCA 3P(Y/R/W) 2562#26 1.8M BLK	P965	1
1450	DC-00008104	2001131664P	OWNER GUIDE	N3752W-1M VS11405-1M USA	6P80	1
1451	DC-00008105	2002310614P	GUARANT CARD	VIEWSONIC N3752W (M) QSG	6P81	1
1452	P-00004497	2011100017P	CARTON BOX	360X220X50mm (WDXH) BOX(B)	6P85	1
1453	P-00008064	2013228807P	POLYETHY BAG	200X350X0.03T mm LDPE B5	6P86	1
1454	P-00008102	2011137020P	CARTON BOX	VIEWSONIC N3752W VS11405-1M	6P01	1
1455	N/A	2055632240P	LABEL	N3752W VS11405-1M (M) CPT	6P02	1
1456	N/A	2055613503P	LABEL	VIEWSONIC POP STICKER 406.5X34	6P03	1
1457	N/A	2055613508P	LABEL	DOLBY/HDMI STICKER 50*8MM	6P04	1
1458	N/A	2055613379P	LABEL	VIEWSONIC CONTAINER LABEL	6P11	1/6
1459	M-LB-0813-0959	2055613392P	LABEL	VSC HIGH VOLTAGE WARNING LABEL	6P14	1
1460	P-00006616	2012186100P	POLYFOAM	JC378EC EPE (T.L)	6P20	1
1461	P-00006617	2012186200P	POLYFOAM	JC378EC EPE (T.R)	6P21	1
1462	P-00006618	2012186300P	POLYFOAM	JC378EC EPE (B.L)	6P22	1
1463	P-00006619	2012186400P	POLYFOAM	JC378EC EPE (B.R)	6P23	1
1464	N/A	2063302500P	PROTECTOR	873*513*0.09MM JC378	6P30	1
1465	P-00008063	2013054002P	POLYETHY BAG	1150X800mm HDPE	6P60	1

* *Reader's Response* *

Dear Readers:

Thank you in advance for your feedback on our Service Manual, which allows continuous improvement of our products. We would appreciate your completion of the Assessment Matrix below, for return to ViewSonic Corporation.

Assessment

A. What do you think about the content of **this** Service Manual?

<i>Unit</i>	<i>Excellent</i>	<i>Good</i>	<i>Fair</i>	<i>Bad</i>
1. Precautions and Safety Notices				
2. Specification				
3. Front Panel Function Control Description				
4. Circuit Description				
5. Adjustment Procedure				
6. Trouble Shooting Flow Chart				
7. Block Diagram				
8. Schematic Diagrams				
9. PCB Layout Diagrams				
10. Exploded Diagram And Exploded Parts List				
11. Recommended Spare Parts List				

B. Are you satisfied with **this** Service Manual?

<i>Item</i>	<i>Excellent</i>	<i>Good</i>	<i>Fair</i>	<i>Bad</i>
1. Service Manual Content				
2. Service Manual Layout				
3. The form and listing				

C. Do you have any other opinions or suggestions regarding **this** service manual?

Reader's basic data:

Name:		Title:	
Company:			
Add:			
Tel:		Fax:	
E-mail:			

After completing this form, please return it to ViewSonic Quality Assurance in the USA at facsimile 1-909-839-7943. You may also e-mail any suggestions to the Director, Quality Systems & Processes (marc.maupin@viewsonic.com)