

# Customer Information Sheet

DRAWING No.: M30-600XX46

SHEET 2 OF 2

IF IN DOUBT - ASK

©

NOT TO SCALE

THIRD ANGLE PROJECTION

ALL DIMENSIONS IN mm

**SPECIFICATIONS:**

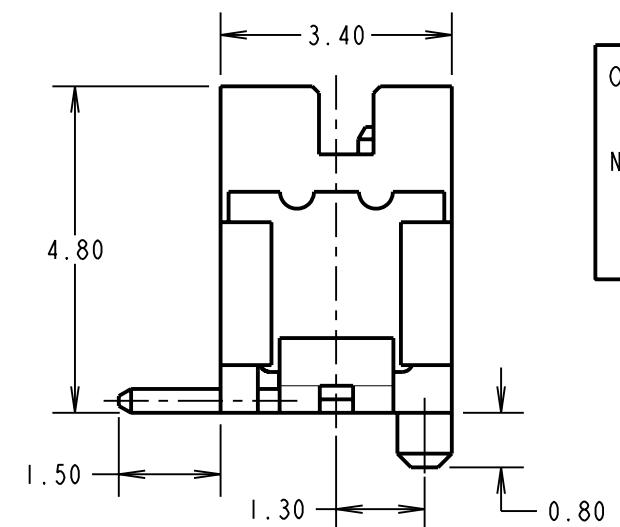
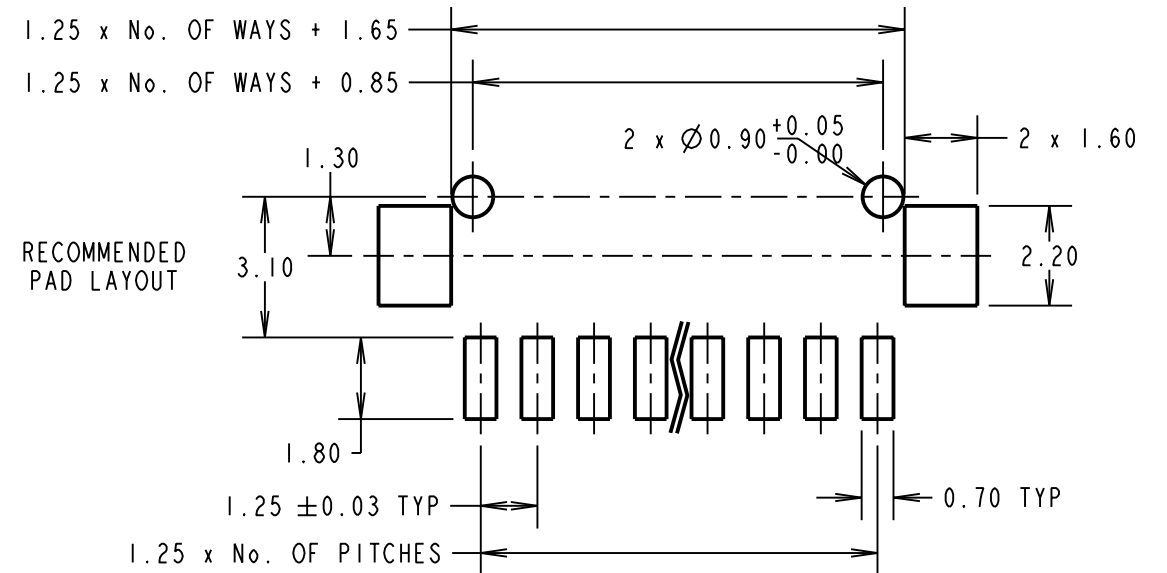
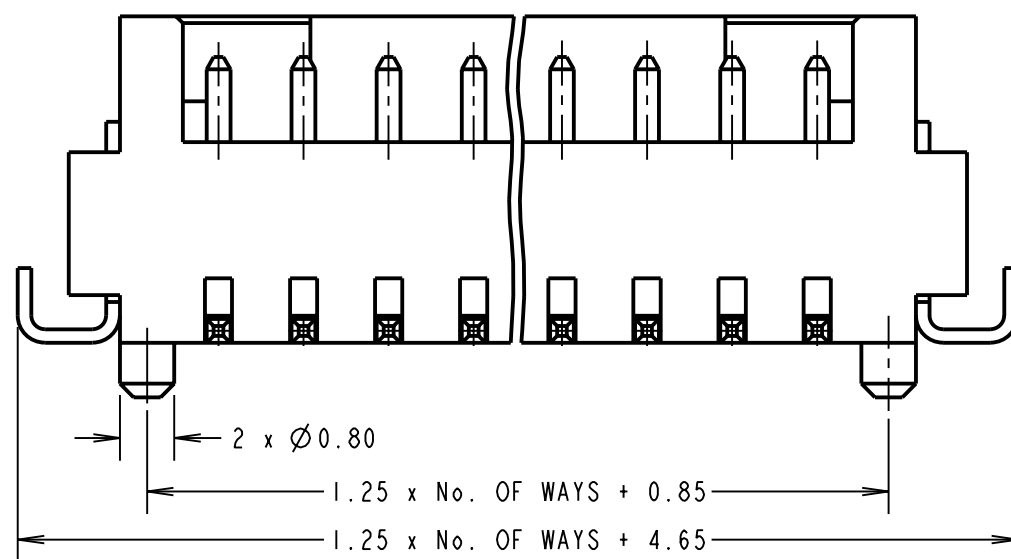
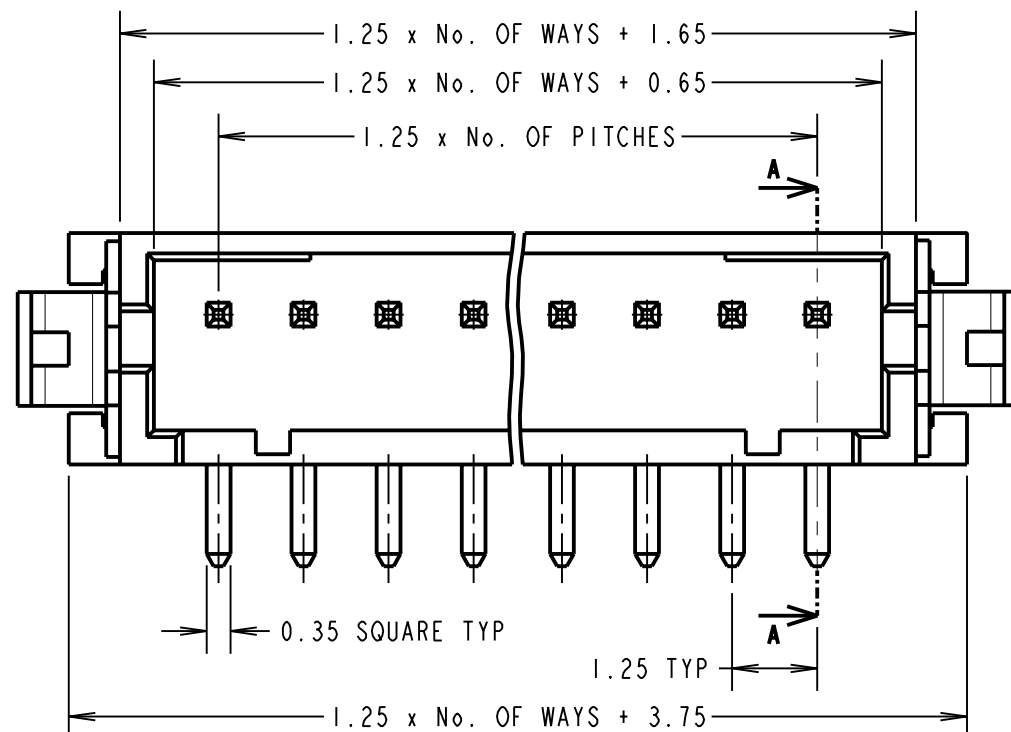
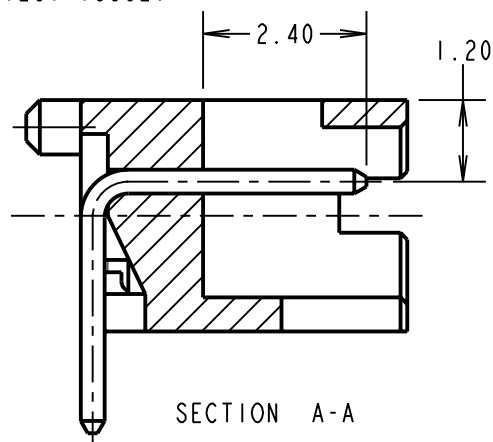
**MATERIAL:**  
 MOULDING = POLYAMIDE 46 NATURAL, UL94V-0  
 CONTACT = BRASS  
 RETAINER = PHOSPHOR BRONZE

**FINISH:**  
 CONTACT & RETAINER = 100% TIN

**ELECTRICAL:**  
 RATED CURRENT = 1A AC/DC  
 RATED VOLTAGE = 150V AC/DC  
 DIELECTRIC STRENGTH = 500V AC  
 INSULATION RESISTANCE = 1000 MEGOHMS MIN  
 DIELECTRIC WITHSTANDING VOLTAGE = 500V AC

**ENVIRONMENTAL:**  
 TEMPERATURE RANGE = -55° TO +85°C

**PACKING:** TUBE  
 FOR COMPLETE SPECIFICATIONS,  
 SEE COMPONENT SPECIFICATION  
 C025XX (LATEST ISSUE)



ORDER CODE:  
**M30-600XX46**  
 No. OF WAYS: 02 TO 15  
 FINISH: 46 = 100% TIN

- NOTES:**
1. ALL TOLERANCES ARE  $\pm 0.30$  UNLESS OTHERWISE STATED.
  2. MATES WITH M30-1000046 CRIMP CONTACTS AND M30-110XX00 CRIMP MOULDING.
  3. COPLANARITY OF CONTACTS AND RETAINER TO BE 0.1mm MAX.

CP	9	21.12.09	10496
NAME	ISS.	DATE	C/NOTE
APPROVED: C.PENROSE			
CHECKED: R.ADDE			
DRAWN: W.J.BOURNE			
CUSTOMER REF.:			
ASSEMBLY DRG:			

**HARWIN**

HARWIN USA TEL: 603 893 5376 FAX: 603 893 5396 mis@harwin.com	HARWIN Europe (UK) TEL: 023 9231 4545 FAX: 023 9231 4590 mis@harwin.co.uk	HARWIN Asia TEL: +65 6 779 4909 FAX: +65 6 779 3868 mis@harwin.com.sg
--	--	--

THIS DRAWING AND ANY INFORMATION OR DESCRIPTIVE MATTER SET OUT HEREON ARE CONFIDENTIAL AND COPYRIGHT PROPERTY OF THE HARWIN GROUP AND MUST NOT BE DISCLOSED, LOANED, COPIED OR USED FOR MANUFACTURING, TENDERING OR FOR ANY OTHER PURPOSE WITHOUT THEIR WRITTEN PERMISSION.

**TOLERANCES**  
 X =  $\pm 1$ mm  
 X.X =  $\pm 0.25$ mm  
 X.XX =  $\pm 0.10$ mm  
 X.XXX =  $\pm 0.01$ mm  
 ANGLES =  $\pm 5^\circ$   
 UNLESS STATED

**MATERIAL:**  
 SEE ABOVE  
**FINISH:**  
 SEE ABOVE  
**S/AREA:**  
 mm<sup>2</sup>

**TITLE:**  
 1.25mm PITCH SIL  
 SMT BOARD MOUNT CONNECTOR  
**DRAWING NUMBER:**  
**M30-600XX46**  
 SHT 2 OF 2