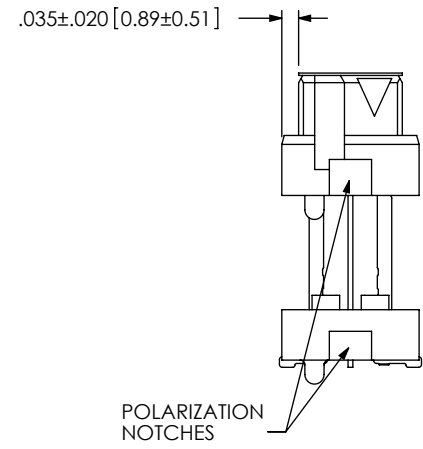
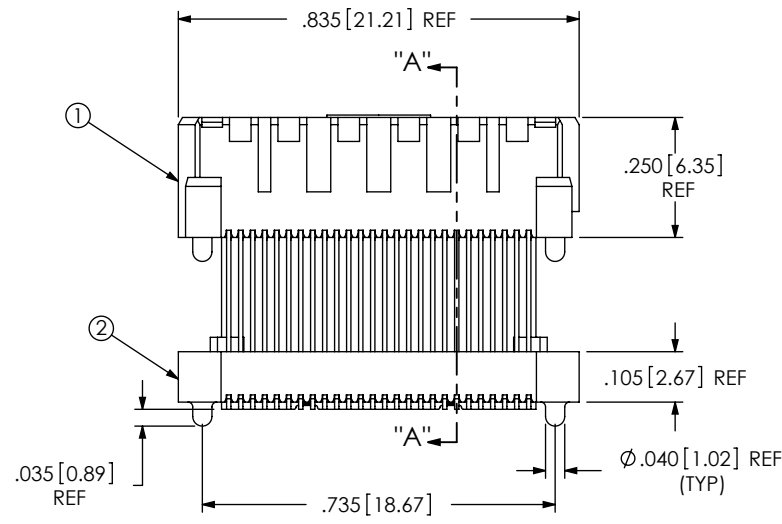
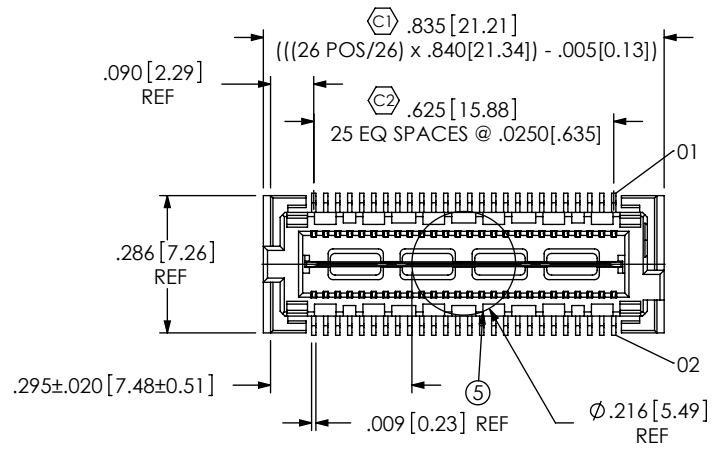
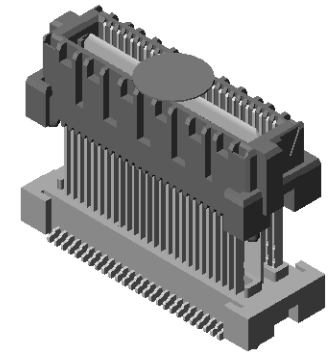


DO NOT SCALE FROM THIS PRINT


- NOTES:
1. .608 STACKER HEIGHT NOT AVAILABLE AS STANDARD.
 2. Ⓢ REPRESENTS A CRITICAL DIMENSION.
 3. BURR ALLOWANCE: .0015[0.038] MAX.
 4. MINIMUM PUSHOUT FORCE: SIGNAL: .5 LB, GROUND: 1 LB.
 5. MAX VARIANCE OF .002[0.05].
 6. DIMENSION APPLIES TO CONTACTS & GROUND PLANES.
 7. GROUND PLANE PRESS HEIGHT MUST BE .003[0.08] LESS THAN THE MAX HEIGHT OR .001[0.03] GREATER THAN THE MINIMUM HEIGHT OF THE TERMINAL.
 8. PARTS TO BE PACKAGED IN TAPE & REEL.
 9. FOR QUANTITIES UP TO 49 PIECES, NO LEADER, TRAILER, OR EIA-481-D REEL WILL BE SUPPLIED. FOR QUANTITIES OF 50-100 PIECES, NO LEADER, TRAILER WILL BE SUPPLIED.
 10. PARTS TO BE TRAY PACKAGED ONLY FOR VISION PROCESS. FOR ALL PREVIOUS MANUFACTURING STEPS PARTS ARE TO BE PACKAGED IN LAYERS



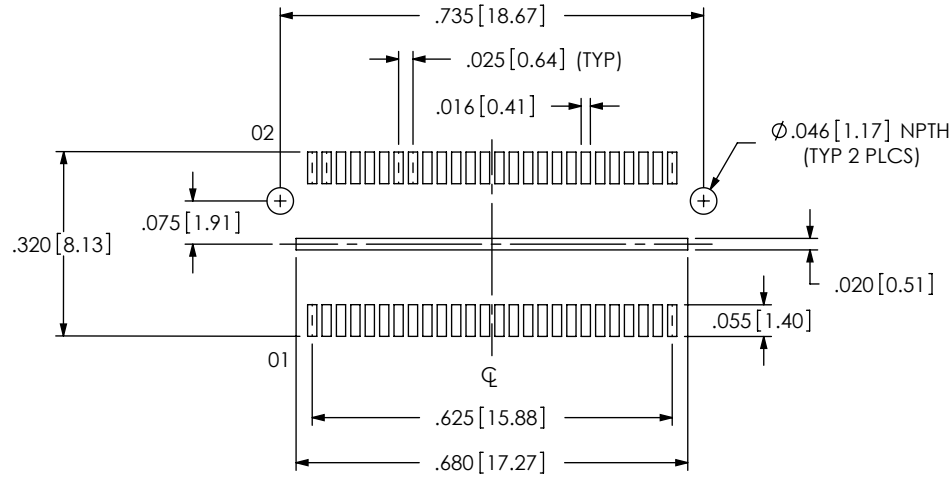
ACCEPTANCE OF DRAWING
 ACCEPTED WITH DEVIATIONS LISTED

DATE: _____
 COMPANY: _____
 CUSTOMER SIGNATURE _____
 PRINTED NAME _____
 PHONE No: _____
 FAX No: _____

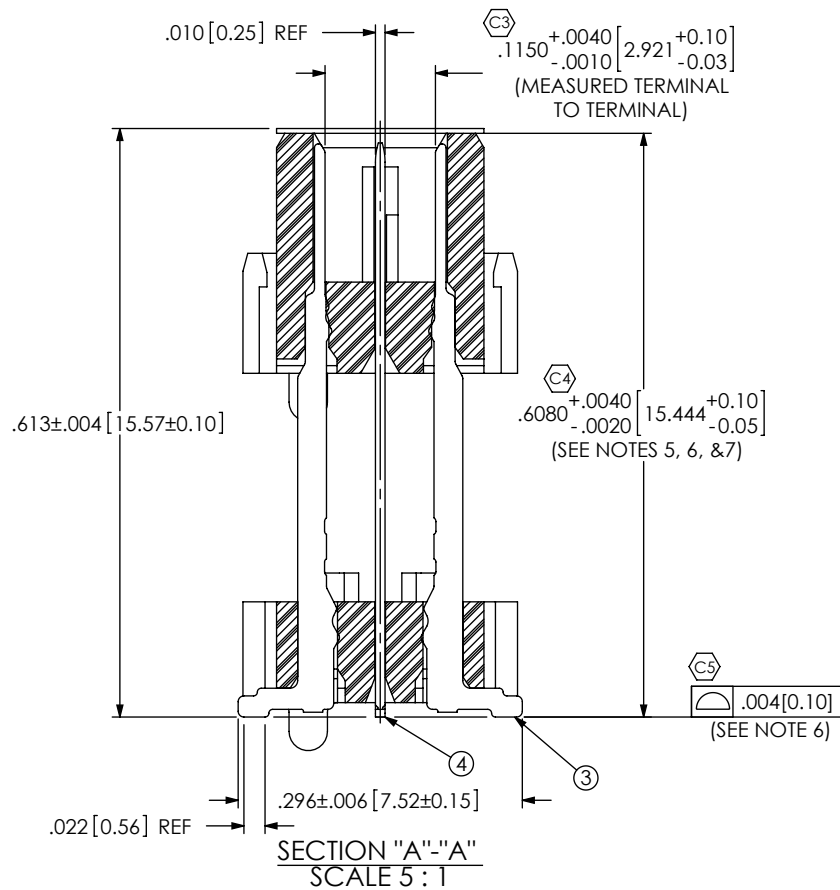
ITEM NO.	PART NUMBER	QUANTITY	MATERIAL
1	QMSS-26-06.75-D-01-A	1.0000	VECTRA E130i, COLOR: BLACK
2	QTSH-26-01-D-01-A	1.0000	VECTRA E130i, COLOR: BLACK
3	T-1M72-15.75-S	52.0000	PHOS BRONZE, 521 EXTRASPRING TEMPER
4	T-1G19-15.75-L	1.0000	PHOS BRONZE, 510 FULL HARD TEMPER
5	K-500-300	1.0000	POLYAMIDE FILM (KAPTON)
6	CT-ASP2673MS	1.0000	ANTI-STATIC BLACK HIPS

UNLESS OTHERWISE SPECIFIED, DIMENSIONS ARE IN INCHES. TOLERANCES ARE: DECIMALS ANGLES .XX: ±.01[.3] 2° .XXX: ±.005[.13] .XXXX: ±.0020[.051]	PROPRIETARY NOTE THIS DOCUMENT CONTAINS INFORMATION CONFIDENTIAL AND PROPRIETARY TO SAMTEC, INC. AND SHALL NOT BE REPRODUCED OR TRANSFERRED TO OTHER DOCUMENTS OR DISCLOSED TO OTHERS OR USED FOR ANY PURPOSE OTHER THAN THAT WHICH IT WAS OBTAINED WITHOUT THE EXPRESSED WRITTEN CONSENT OF SAMTEC, INC.		
		520 PARK EAST BLVD, NEW ALBANY, IN 47150 PHONE: 812-944-6733 FAX: 812-948-5047 e-Mail: info@SAMTEC.com code: 55322	
DO NOT SCALE DRAWING SHEET SCALE: 1:0.4		DESCRIPTION: ELEVATED QMS ASSM (22MM STACK)	
PLATING: CONTACT AREA: .000030 GOLD OVER .000050 NICKEL REMAINDER: .000200 REF TIN OVER .000050 NICKEL		DWG. NO. ASP-142781-01	
BY: C. RYAN 10/17/2008		SHEET 1 OF 3	

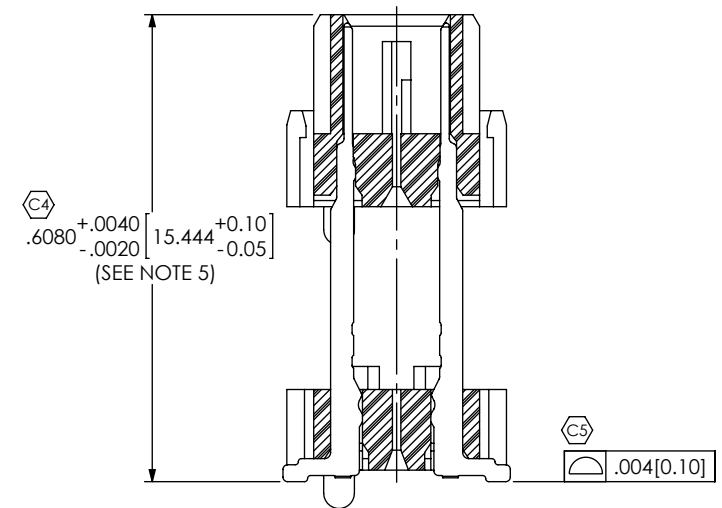
RECOMMENDED PCB LAYOUT



(ALL DIMENSIONS ARE SYMMETRIC ABOUT THE CENTERLINE)



IN-PROCESS



PROPRIETARY NOTE

THIS DOCUMENT CONTAINS INFORMATION CONFIDENTIAL AND PROPRIETARY TO SAMTEC, INC. AND SHALL NOT BE REPRODUCED OR TRANSFERRED TO OTHER DOCUMENTS OR DISCLOSED TO OTHERS OR USED FOR ANY PURPOSE OTHER THAN THAT WHICH IT WAS OBTAINED WITHOUT THE EXPRESSED WRITTEN CONSENT OF SAMTEC, INC.



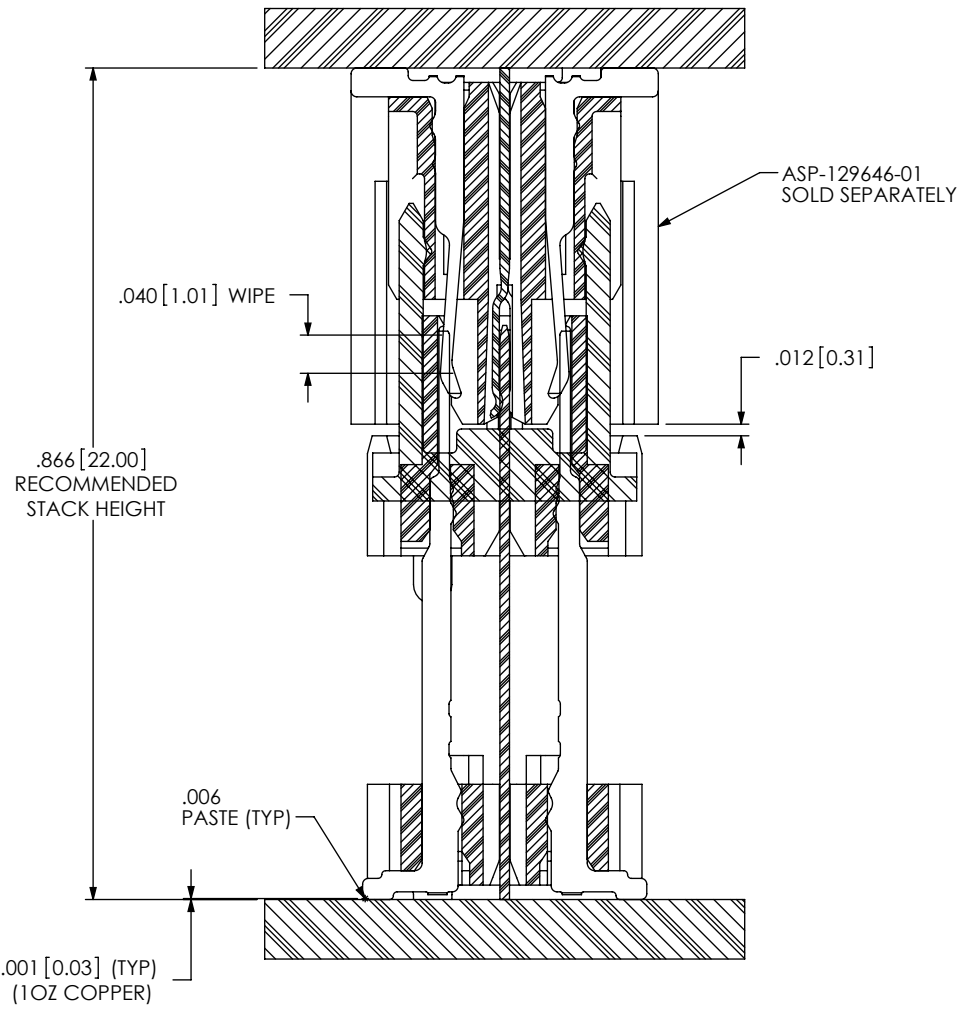
520 PARK EAST BLVD, NEW ALBANY, IN 47150
 PHONE: 812-944-6733 FAX: 812-948-5047
 e-Mail: info@SAMTEC.com code: 55322

SHEET SCALE: 2.5:1

DESCRIPTION:
 ELEVATED QMS ASSM (22MM STACK)

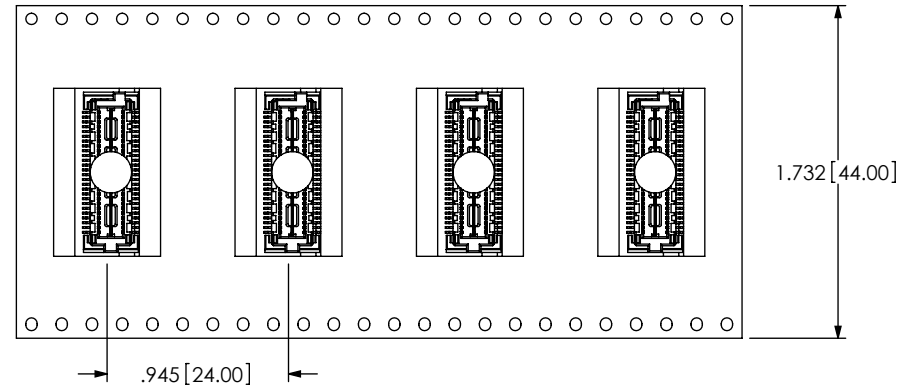
DWG. NO.
 ASP-142781-01

BY: C. RYAN 10/17/2008 SHEET 2 OF 3

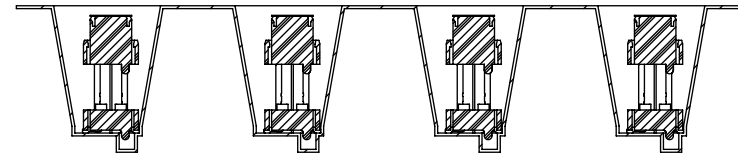


MATED VIEW
USE STANDOFF SO-2200-03-01-02-L-N WHEN MATING

PACKAGING VIEW
(SEE NOTE 9)



USER DIRECTION OF UN-REELING
POCKET NOT DETAILED



PROPRIETARY NOTE

THIS DOCUMENT CONTAINS INFORMATION
CONFIDENTIAL AND PROPRIETARY TO
SAMTEC, INC. AND SHALL NOT BE REPRODUCED
OR TRANSFERRED TO OTHER DOCUMENTS OR
DISCLOSED TO OTHERS OR USED FOR ANY
PURPOSE OTHER THAN THAT WHICH IT WAS
OBTAINED WITHOUT THE EXPRESSED WRITTEN
CONSENT OF SAMTEC, INC.



520 PARK EAST BLVD, NEW ALBANY, IN 47150
PHONE: 812-944-6733 FAX: 812-948-5047
e-Mail: info@SAMTEC.com code: 55322

SHEET SCALE: 2.5:1

DESCRIPTION:
ELEVATED QMS ASSM (22MM STACK)

DWG. NO.
ASP-142781-01

BY: C RYAN 10/17/2008 SHEET 3 OF 3