

■ General Description

The AME8824 family of positive, linear regulators feature low quiescent current (30µA typ.) with low dropout voltage, making them ideal for battery applications. The space-saving SOT-26 package are attractive for "Pocket" and "Hand Held" applications.

These rugged devices have both Thermal Shutdown, and Current Fold-back to prevent device failure under the "Worst" of operating conditions.

The SOT-26 version also features a "Power Good" detector, which pulls low when the output is out of regulation.

The AME8824 is stable with an output capacitance of 2.2µF or greater.

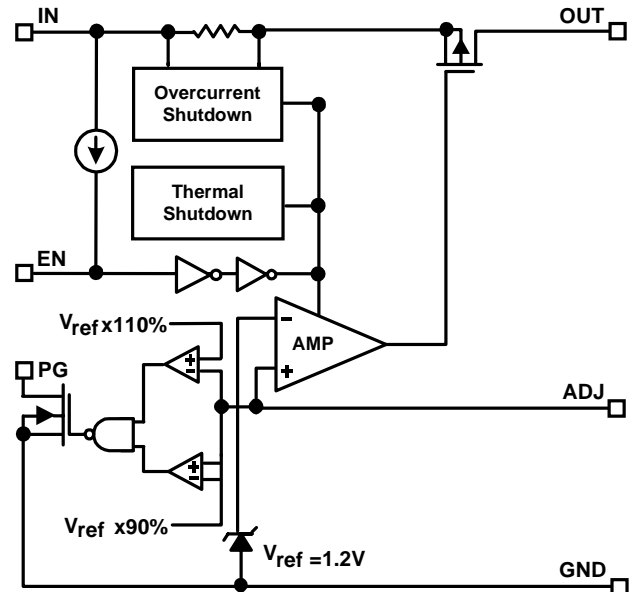
■ Features

- Very Low Dropout Voltage
- Guaranteed 300mA Output
- Typical accuracy within 2%
- 30µA Quiescent Current
- Over-Temperature Shutdown
- Current Limiting
- Short Circuit Current Fold-back
- Power Good Detector (6 pin version only)
- Power-Saving Shutdown Mode
- Space-Saving SOT-26
- Adjustable Output Voltages
- Low Temperature Coefficient

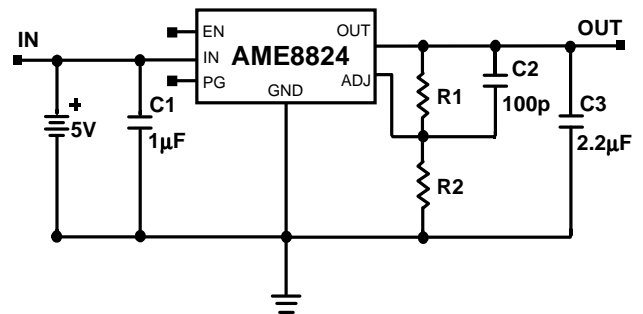
■ Applications

- Instrumentation
- Portable Electronics
- Wireless Devices
- Cordless Phones
- PC Peripherals
- Battery Powered Widgets
- Electronic Scales

■ Functional Block Diagram



■ Typical Application

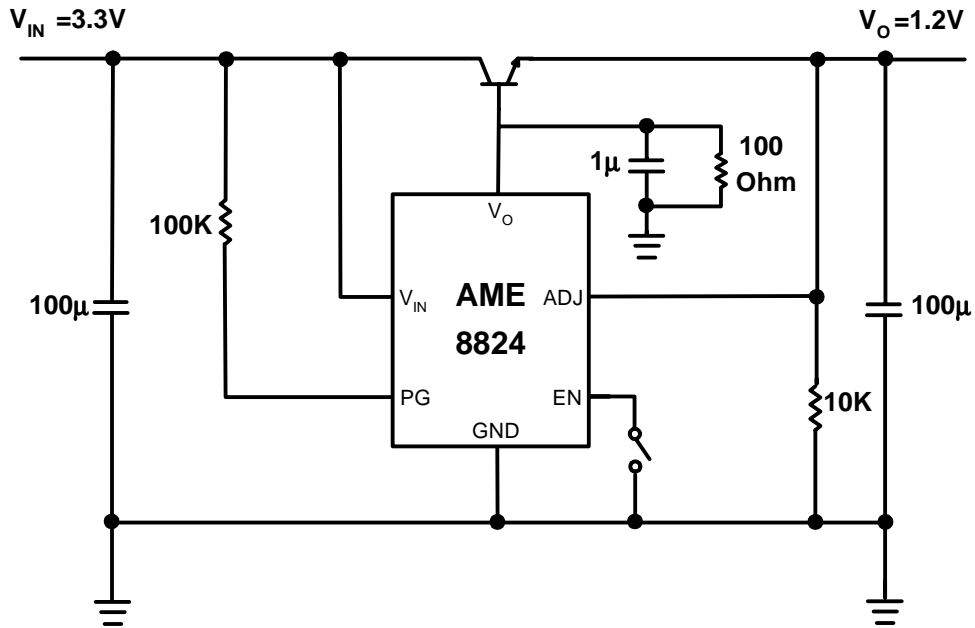


$$V_{OUT} = 1.2 (R1 + R2) / R2$$

C2 is unnecessary when R1 or R2 < 20K

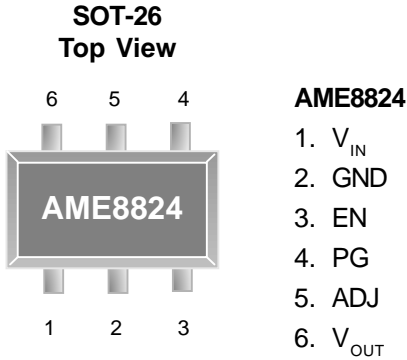
PG pin is only available in the SOT-26 package option

■ Advanced Application





■ Pin Configuration



■ Ordering Information

Part Number	Marking	Output Voltage	Package	Operating Temp. Range
AME8824AEEY	AUEww	ADJ	SOT-26	- 40°C to + 85°C
AME8824AEEYZ	AUEww	ADJ	SOT-26	- 40°C to + 85°C

ww: represents the date code

Please consult AME sales office or authorized Rep./Distributor for other voltage accuracy and package type availability.



■ Absolute Maximum Ratings

Parameter	Maximum	Unit
Input Voltage	8	V
Output Current	$P_D / (V_{IN} - V_O)$	mA
Input, Output Voltage	GND - 0.3 to $V_{IN} + 0.3$	V
ESD Classification	B	

Caution: Stress above the listed absolute maximum rating may cause permanent damage to the device

■ Recommended Operating Conditions

Parameter	Rating	Unit
Ambient Temperature Range	- 40 to + 85	°C
Junction Temperature	- 40 to + 125	°C

■ Thermal Information

Parameter		Maximum	Unit
Thermal Resistance (θ_{ja})	SOT-26	260	°C / W
Internal Power Dissipation (P_D) ($\Delta T = 100^\circ C$)	SOT-26	380	mW
Maximum Junction Temperature		150	°C
Maximum Lead Temperature (10 Sec)		300	°C

■ Electrical Specifications

TA = 25°C, V_{IN} = 5V unless otherwise noted

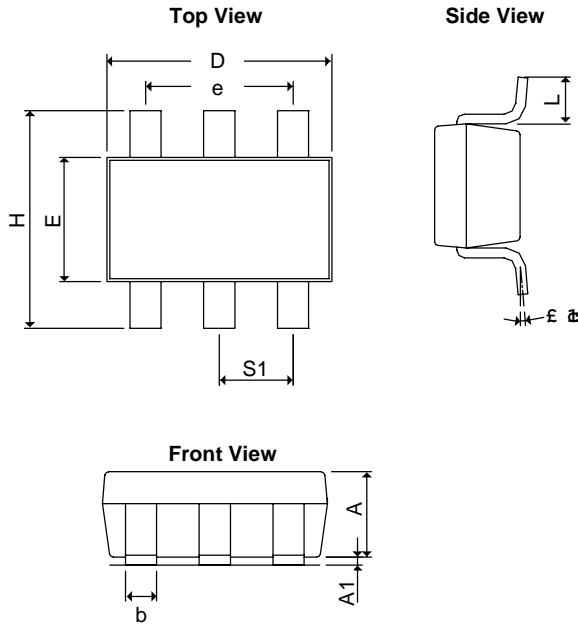
Parameter	Symbol	Test Condition	Min	Typ	Max	Units
Input Voltage	V _{IN}		Note 1		7	V
Output Voltage	V _O	I _O = 1mA	-3		3	%
Dropout Voltage	V _{DROPOUT}	I _O = 300mA V _O = V _{ONOM} - 2.0%	1.2V ≤ V _{O(NOM)} ≤ 2.0V		1300	mV
			2.0V < V _{O(NOM)} ≤ 2.8V		400	
			2.8V < V _{O(NOM)} < 3.8V		300	
Output Current	I _O	V _O > 1.2V	300			mA
Current Limit	I _{LIM}	V _O > 1.2V	300	450		mA
Short Circuit Current	I _{SC}	V _O < 0.8V		150	300	mA
Quiescent Current	I _Q	I _O = 0mA		30	50	μA
Ground Pin Current	I _{GND}	I _O = 1mA to 300mA		35		μA
Line Regulation	REG _{LINE}	I _O = 5mA V _{IN} = V _O + 1 to V _O + 2	V _O < 2.0V		0.15	%
			V _O ≥ 2.0V	0.02	0.1	
Load Regulation	REG _{LOAD}	I _O = 1mA to 300mA		0.2	1	%
Over Temperature Shutdown	OTS			150		°C
Over Temperature Hysteresis	OTH			30		°C
V _O Temperature Coefficient	TC			30		ppm/°C
Power Supply Rejection	PSRR	I _O = 100mA C _O = 2.2μF	f = 1kHz		50	dB
			f = 10kHz		20	
			f = 100kHz		15	
Output Voltage Noise	e _N	f = 10Hz to 100kHz I _O = 10mA, C _{BYP} = 0μF			30	μVrms
ADJ Input Bias Current	I _{ADJ}			1		μA
ADJ Reference Voltage	V _{REF}		1.176	1.2	1.224	V
EN Input Threshold	V _{EH}	V _{IN} = 2.7V to 7V	2.0		V _{IN}	V
	V _{EL}	V _{IN} = 2.7V to 7V	0		0.4	V
EN Input Bias Current	I _{EH}	V _{EN} = V _{IN} , V _{IN} = 2.7V to 7V			0.1	μA
	I _{EL}	V _{EN} = 0V, V _{IN} = 2.7V to 7V			0.5	μA
Shutdown Supply Current	I _{SD}	V _{IN} = 5V, V _O = 0V, V _{EN} < V _{EL}		0.5	1	μA
Shutdown Output Voltage	V _{O,SD}	I _O = 35μA, V _{EN} < V _{EL}	0		0.1	V
Output Under Voltage	V _{UV}				85	% V _{O(NOM)}
Output Over Voltage	V _{OV}		115			% V _{O(NOM)}
PG Leakage Current	I _{LC}	V _{PG} = 7V			1	μA
PG Voltage Rating	V _{PG}	V _O in regulation			7	V
PG Voltage Low	V _{OL}	I _{SINK} = 0.4mA			0.4	V

Note 1: V_{IN(min)} = V_{OUT} + V_{DROPOUT}



■ Package Dimension

SOT-26



SYMBOLS	MILLIMETERS		INCHES	
	MIN	MAX	MIN	MAX
A	1.20REF		0.0472REF	
A ₁	0.00	0.15	0.0000	0.0059
b	0.30	0.55	0.0118	0.0217
D	2.70	3.10	0.1063	0.1220
E	1.40	1.80	0.0551	0.0709
e	1.90 BSC		0.0748 BSC	
H	2.60	3.00	0.10236	0.11811
L	0.37REF		0.0146REF	
θ ₁	0°	10°	0°	10°
S ₁	0.95REF		0.0374REF	



www.ame.com.tw
E-Mail: sales@ame.com.tw

Life Support Policy:

These products of AME, Inc. are not authorized for use as critical components in life-support devices or systems, without the express written approval of the president of AME, Inc.

AME, Inc. reserves the right to make changes in the circuitry and specifications of its devices and advises its customers to obtain the latest version of relevant information.

© AME, Inc. , August 2003
Document: 2006-DS8824-B

Corporate Headquarter
AME, Inc.

2F, 189 Kang-Chien Road, Nei-Hu District
Taipei 114, Taiwan, R.O.C.
Tel : 886 2 2627-8687
Fax: 886 2 2659-2989

U.S.A. Subsidiary
Analog Microelectronics, Inc.

3100 De La Cruz Blvd., Suite 201
Santa Clara, CA. 95054-2046
Tel : (408) 988-2388
Fax: (408) 988-2489