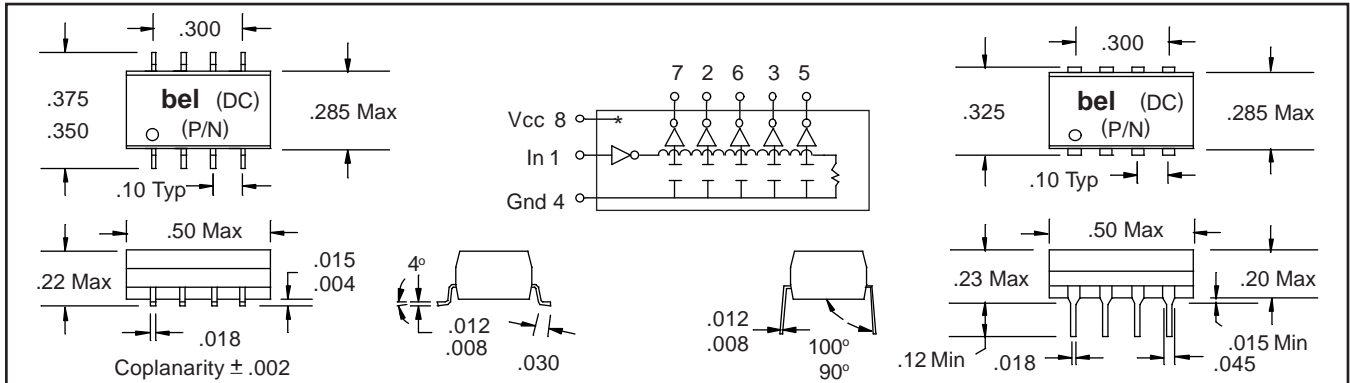




defining a degree of excellence

5 TAP LEADING EDGE CONTROL LOW VOLTAGE DELAY MODULES

Cat 36-R0



Part Numbers

SMD	Thru-Hole	Total Delay	Delay per Tap	Rise Time
S473-0025-02	A473-0025-02	25 ns	5 ns	3 ns
S473-0030-02	A473-0030-02	30 ns	6 ns	3 ns
S473-0035-02	A473-0035-02	35 ns	7 ns	3 ns
S473-0040-02	A473-0040-02	40 ns	8 ns	3 ns
S473-0045-02	A473-0045-02	45 ns	9 ns	3 ns
S473-0050-02	A473-0050-02	50 ns	10 ns	3 ns
S473-0060-02	A473-0060-02	60 ns	12 ns	3 ns
S473-0070-02	A473-0070-02	70 ns	14 ns	3 ns
S473-0080-02	A473-0080-02	80 ns	16 ns	3 ns
S473-0090-02	A473-0090-02	90 ns	18 ns	3 ns
S473-0100-02	A473-0100-02	100 ns	20 ns	3 ns
S473-0125-02	A473-0125-02	125 ns	25 ns	3 ns
S473-0150-02	A473-0150-02	150 ns	30 ns	3 ns

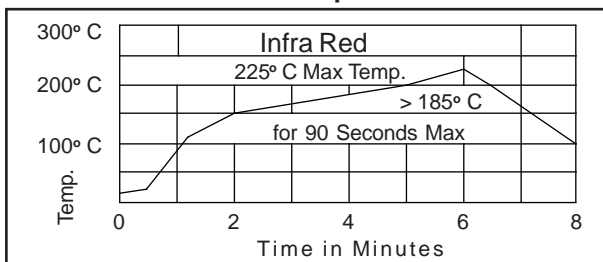
Tolerances

Input to Taps ± 2 ns or 5% , Whichever is Greater
 Tap to Tap ± 2 ns or 7% , Whichever is Greater
 Delays measured @ 50% levels on Leading Edge only with no loads on Taps
 Rise and Fall Times measured from 10% to 90% levels

Drive Capabilities

Nh	Logic 1 Fanout	-	10 LSTTL Loads Max.
Nl	Logic 0 Fanout	-	10 LSTTL Loads Max.

Recommended Temperature Profile



Test Conditions @ 25°C

Ein	Pulse Voltage	3.0 Volts
Trin	Rise Time	3.0 ns (10%-90%)
PW	Pulse Width	1.2 x Total Delay
PP	Pulse Period	4 x Pulse Width
Iccl	Supply Current	25 ma Typical
Vcc	Supply Voltage	3.3 Volts

Electrical Characteristics

	Min.	Max.	Units	
Vcc	Supply Voltage	3.0	3.6	V
Vih	Logic 1 Input Voltage	2.4		V
Vil	Logic 0 Input Voltage		0.8	V
Iik	Input Clamp Current		-20	ma
Ioh	Logic 1 Output Current		20	ma
Iol	Logic 0 Output Current		-20	ma
Voh	Logic 1 Output Voltage	2.9		V
Vol	Logic 0 Output voltage		0.1	V
Vik	Input Clamp Voltage		-0.5	V
Iih	Logic 1 Input Current		1	ua
Iil	Logic 0 Input Current		-1	ua
Icch	Logic 1 Supply Current		10	ma
Iccl	Logic 0 Supply Current		30	ma
Ta	Operating Free Air Temperature	0°	70°	C
PW	Min. Input Pulse Width of Total Delay	40		%
d	Maximum Duty Cycle		50	%
Tc	Temp. Coeff. of Total Delay (TD)	100 + (25000/TD) PPM/°C		

Notes

Transfer molded for better reliability
 Compatible with TTL & CMOS circuits
 Terminals: Electro-Tin plate phosphor bronze
 Performance warranty is limited to specified parameters listed
 SMD - Tape & Reel available:
 24mm Wide x 12mm Pitch, 750 pieces per 13" reel

Other Delays and Tolerances Available Consult Sales

Specifications subject to change without notice.

Corporate Office

Bel Fuse Inc.
 198 Van Vorst Street, Jersey City, NJ 07302-4496
 Tel: 201-432-0463
 Fax: 201-432-9542
 E-Mail: Belfuse@compuserve.com
 Internet: http://www.belfuse.com

Far East Office

Bel Fuse Ltd.
 8F/8 Luk Hop Street
 San Po Kong
 Kowloon, Hong Kong
 Tel: 852-2328-5515
 Fax: 852-2352-3706

European Office

Bel Fuse Europe Ltd.
 Preston Technology Management Centre
 Marsh Lane, Preston PR1 8UD
 Lancashire, U.K.
 Tel: 44-1772-556601
 Fax: 44-1772-888366