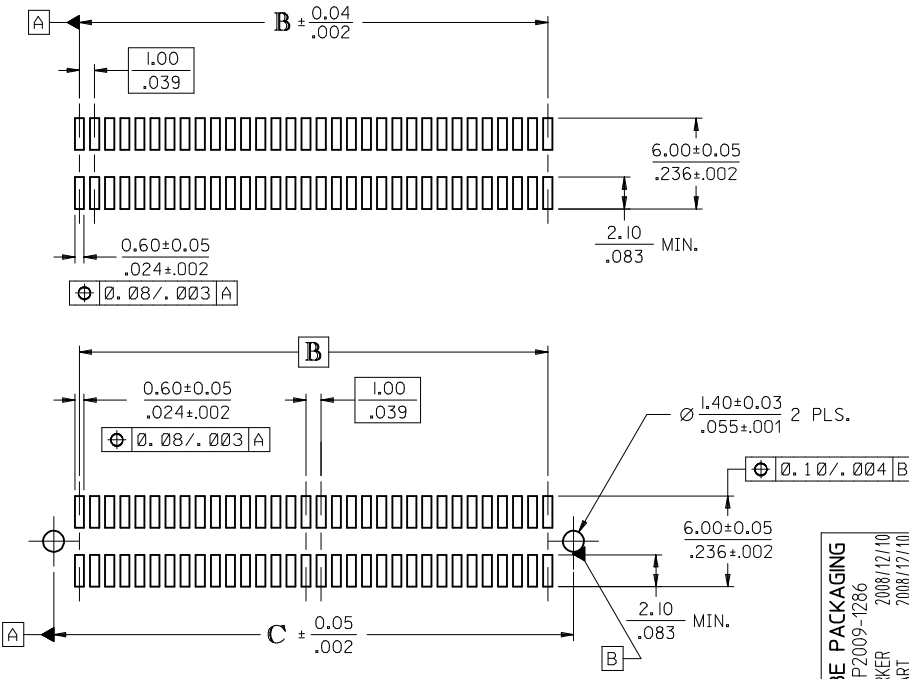


CIRCUIT SIZE	DIM. A	DIM. B	DIM. C	DIM. D
20	13.90 / .547	9.00 / .354	12.40 / .488	12.22 / .481
30	18.90 / .744	14.00 / .551	17.40 / .685	17.22 / .678
40	23.90 / .941	19.00 / .748	22.40 / .882	22.22 / .875
50	28.90 / 1.138	24.00 / .945	27.40 / 1.079	27.22 / 1.072
60	33.90 / 1.335	29.00 / 1.142	32.40 / 1.276	32.22 / 1.269
64	35.90 / 1.413	31.00 / 1.220	34.40 / 1.354	34.22 / 1.347
70	38.90 / 1.531	34.00 / 1.339	37.40 / 1.472	37.22 / 1.465
80	43.90 / 1.728	39.00 / 1.535	42.40 / 1.669	42.22 / 1.662
84	45.90 / 1.807	41.00 / 1.614	44.40 / 1.748	44.22 / 1.741
90	48.90 / 1.925	44.00 / 1.732	47.40 / 1.866	47.22 / 1.859
100	53.90 / 2.122	49.00 / 1.929	52.40 / 2.063	52.22 / 2.056
110	58.90 / 2.319	54.00 / 2.126	57.40 / 2.260	57.22 / 2.253
120	63.90 / 2.516	59.00 / 2.323	62.40 / 2.457	62.22 / 2.450

- NOTES:**
- HOUSING MATERIAL: GLASS FILLED LIQUID CRYSTAL POLYMER (LCP); UL 94V-0; SEE SHEET 2 FOR COLOR.  
TERMINAL MATERIAL: PHOSPHOR BRONZE; 0.205/.0080 THICK  
VACUUM CAP MATERIAL: STAINLESS STEEL; 0.255/.0100 THICK
  - CONTACT PLATING FINISH: REFER TO CHART ON SHEET 2
  - THIS PART, WHEN MATED WITH MOLEX 1.0mm PLUG CONNECTOR SERIES 71439, CONFORMS TO MOLEX PRODUCT SPECIFICATION PS-71436-9999. REFER TO CHART ON SHEET 2 FOR MATED STACK HEIGHTS FOR THIS RECEPTACLE.
  - PACKAGING SPECIFICATIONS: REFER TO CHART ON SHEET 2.
  - PEGS ARE OPTIONAL. REFER TO CHART ON SHEET 2.
  - VACUUM PICK & PLACE CAP IS OPTIONAL. REFER TO CHART ON SHEET 2.
  - THIS PART CONFORMS TO EIA STANDARD 700 AAAB FOR 1.0mm TWO-PART CONNECTORS FOR USE WITH PARALLEL PRINTED BOARDS.
  - COPLANARITY OF SMT TAILS: 0.10 MM/.004 INCH MAXIMUM
  - 64-CIRCUIT RECEPTACLE ASSEMBLY WITH PEGS AND VACUUM CAP SHOWN FOR ILLUSTRATION PURPOSES ONLY.
  - INCH DIMENSIONS SHOWN FOR REFERENCE ONLY.
  - ASSEMBLY TO HAVE DATE CODE: XX XX  
WEEK \_\_\_\_\_ YEAR \_\_\_\_\_



**RECOMMENDED PCB LAYOUT (WITH AND WITHOUT PEGS)**

RECOMMENDED PCB THICKNESS: 1.00 ± 0.10 / .039 ± .004

<b>CHG TUBE PACKAGING</b> EC NO: UCP2009-1286 DRWIN: BARKER 2008/12/10 CHKD: BSWART 2008/12/10 APPR: MILLER 2008/12/10 REV: N	QUALITY SYMBOLS ▽=0 ▽=0	GENERAL TOLERANCES (UNLESS SPECIFIED)		DIMENSION STYLE MM/IN		SCALE	DESIGN UNITS	THIRD ANGLE PROJECTION
		mm	INCH	DRAWN BY	DATE	TITLE	INCH	
		4 PLACES ± ---	± ---	REED	1995/04/03	ASSY MFG, 1.0MM BOARD TO BOARD RECEPT CONNECTOR 5.30/.209 HIGH		
		3 PLACES ± ---	± .005	CHECKED BY	DATE			
2 PLACES ± 0.13	± .01	REED	1995/04/03					
1 PLACE ± 0.25	± ---	APPROVED BY	DATE					
ANGULAR ± 1/2°		BIXLER	1995/04/03	MATERIAL NO. SEE TABLE		DOCUMENT NO. SDA-71439-0***		SHEET NO. 1 OF 2
DRAFT WHERE APPLICABLE MUST REMAIN WITHIN DIMENSIONS				THIS DRAWING CONTAINS INFORMATION THAT IS PROPRIETARY TO MOLEX INCORPORATED AND SHOULD NOT BE USED WITHOUT WRITTEN PERMISSION				

**WHITE (NATURAL) MATERIAL**

PART NUMBER	CIRCUIT SIZE	CONTACT PLATING SEE NOTE BELOW CHARTS	PEGS	PICK & PLACE CAP	PACKAGING SPEC. NUMBER	PACKAGING TYPE
71439-0164	64	30 GOLD	YES	NO	PK-70873-013	TUBE
71439-0264	64	50 GOLD	NO	YES	PK-70873-063	TAPE & REEL
71439-0364	64	30 GOLD	YES	YES	PK-70873-014	TUBE
71439-0464	64	30 GOLD	YES	YES	PK-70873-063	TAPE & REEL
71439-0564	64	30 GOLD	NO	NO	PK-70873-015	TUBE
71439-0764	64	30 GOLD	NO	YES	PK-70873-017	TUBE
71439-0864	64	30 GOLD	NO	YES	PK-70873-063	TAPE & REEL
71439-0664	64	50 GOLD	YES	NO	PK-70873-013	TUBE
71439-0064	64	50 GOLD	NO	NO	PK-70873-015	TUBE

**BLACK MATERIAL**

PART NUMBER	CIRCUIT SIZE	CONTACT PLATING SEE NOTE BELOW CHARTS	PEGS	PICK & PLACE CAP	PACKAGING SPEC. NUMBER	PACKAGING TYPE
71439-0964	64	30 GOLD	NO	YES	PK-70873-063	TAPE & REEL

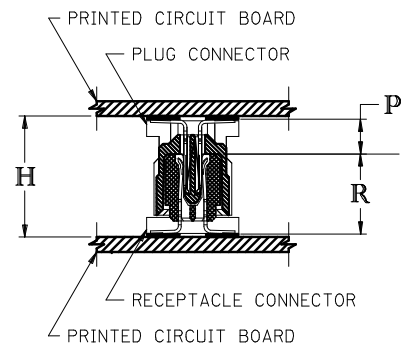
**CONTACT PLATING:**

30 GOLD - 0.76 MICROMETER/30 MICROINCH MINIMUM GOLD IN CONTACT AREA AND 1.91 MICROMETER/75 MICROINCH MINIMUM TIN IN SOLDER TAIL AREA. NICKEL UNDERPLATE OVER ENTIRE TERMINAL.

50 GOLD - 1.27 MICROMETER/50 MICROINCH MINIMUM GOLD IN CONTACT AREA AND 1.91 MICROMETER/75 MICROINCH MINIMUM TIN IN SOLDER TAIL AREA. NICKEL UNDERPLATE OVER ENTIRE TERMINAL.

**RECOMMENDED PLUG/RECEPTACLE COMBINATION FOR MATED STACK HEIGHT PER EIA STANDARD 700 AAAB**

MATED STACK HEIGHT	RECEPTACLE HEIGHT	RECEPTACLE SERIES NO.	PLUG HEIGHT	PLUG SERIES NO.
8.00/.315	5.30/.209	71439-0***	2.30/.090	71436-0***
9.00/.354	5.30/.209	71439-0***	3.30/.130	71436-1***
10.00/.394	5.30/.209	71439-0***	4.30/.169	71436-2***



PLUG STACK HEIGHT  
+ RECEPTACLE STACK HEIGHT  
+ 0.40/.016 (SOLDER PASTE ALLOWANCE)  
= MATED STACK HEIGHT

BOTTOMING SURFACE

P = PLUG STACK HEIGHT  
R = RECEPTACLE STACK HEIGHT  
H = MATED STACK HEIGHT

<b>CHG TUBE PACKAGING</b> EC NO: UCP2009-1286 DRWINBBARKER 2008/12/10 CHKD:BSMART 2008/12/10 APPR:SMILLER 2008/12/10	QUALITY SYMBOLS ▽=0 ▽=0	GENERAL TOLERANCES (UNLESS SPECIFIED) mm INCH 4 PLACES ± .005 ± .005 3 PLACES ± .005 ± .005 2 PLACES ± .013 ± .013 1 PLACE ± 0.25 ± .025 ANGULAR ± 1/2°	DIMENSION STYLE MM/IN DRAWN BY DATE REED 1995/04/03 CHECKED BY DATE REED 1995/04/03 APPROVED BY DATE BIXLER 1995/04/03	SCALE DESIGN UNITS INCH THIRD ANGLE PROJECTION	TITLE ASSY MFG, 1.0MM BOARD TO BOARD RECEPT CONNECTOR 5.30/.209 HIGH	
	MATERIAL NO. SEE TABLE	DOCUMENT NO. SDA-71439-0***	SHEET NO. 2 OF 2	MOLEX INCORPORATED		
	DRAFT WHERE APPLICABLE MUST REMAIN WITHIN DIMENSIONS			THIS DRAWING CONTAINS INFORMATION THAT IS PROPRIETARY TO MOLEX INCORPORATED AND SHOULD NOT BE USED WITHOUT WRITTEN PERMISSION		
	REV N	DESCRIPTION				