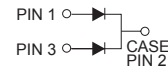
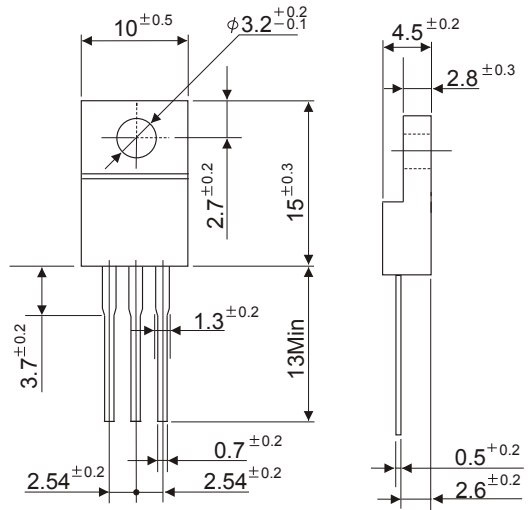


RoHS Compliant Product

A suffix of "-C" specifies halogen & lead-free

ITO-220



Dimensions in millimeters

FEATURES

- * Low forward voltage drop
- * High current capability
- * High reliability
- * High surge current capability
- * Epitaxial construction

MECHANICAL DATA

- * Case: Molded plastic
- * Epoxy: UL 94V-0 rate flame retardant
- * Lead: Lead solderable per MIL-STD-202, method 208 guaranteed
- * Polarity: As Marked
- * Mounting position: Any
- * Weight: 2.24 grams(Approximately)

MAXIMUM RATINGS AND ELECTRICAL CHARACTERISTICS

Rating 25°C ambient temperature unless otherwise specified.
Single phase half wave, 60Hz, resistive or inductive load.
For capacitive load, derate current by 20%.

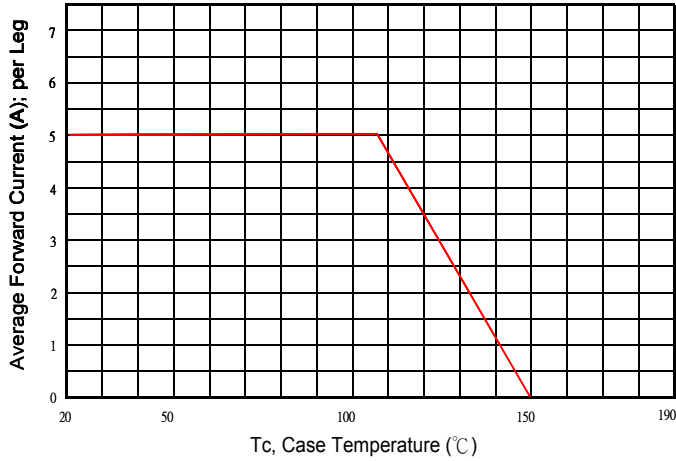
TYPE NUMBER	SP20100R	UNITS
Maximum Recurrent Peak Reverse Voltage	100	V
Working Peak Reverse Voltage	100	V
Maximum DC Blocking Voltage	100	V
Maximum Average Forward Rectified Current		
See Fig. 1	20	A
Peak Forward Surge Current, 8.3 ms single half sine-wave superimposed on rated load (JEDEC method)	150	A
Maximum Instantaneous Forward Voltage (I _F = 10 Amps, T _A = 25°C)	0.85	V
Maximum Instantaneous Forward Voltage (I _F = 10 Amps, T _A = 125°C)	0.69	V
Maximum DC Reverse Current T _a =25°C	0.3	mA
at Rated DC Blocking Voltage T _a =125°C	5	mA
Typical Junction Capacitance (Note 1)	580	pF
Typical Thermal Resistance R _{θJC} (Note 2)	5.0	°C/W
Operating Temperature Range T _J	-50 ~ +150	°C
Storage Temperature Range T _{STG}	-65 ~ +150	°C

NOTES:

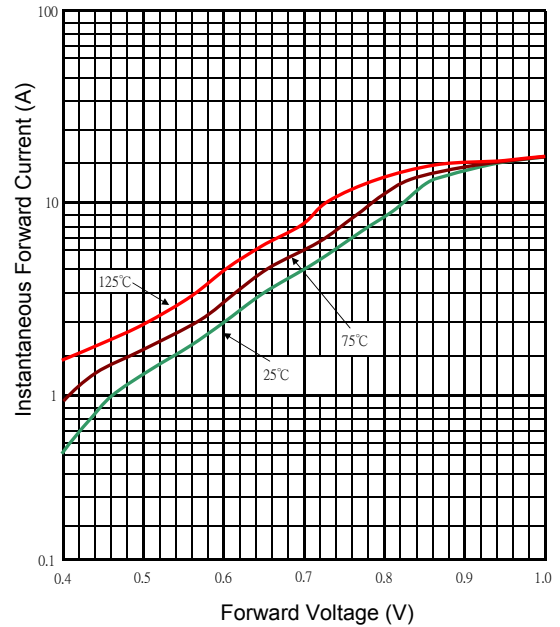
1. Measured at 1MHz and applied reverse voltage of 5.0V D.C.
2. Thermal Resistance Junction to Case.
3. Pulse Test : Pulse Width = 300us, Duty Cycle <= 2.0%.

RATING AND CHARACTERISTIC CURVES

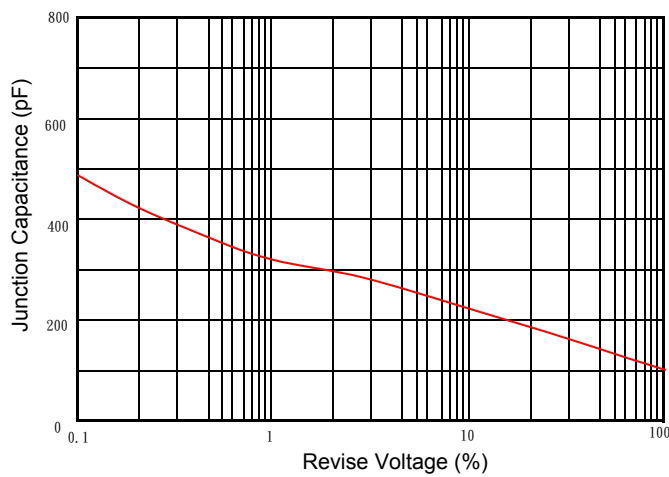
Typical Forward Current Derating Curve



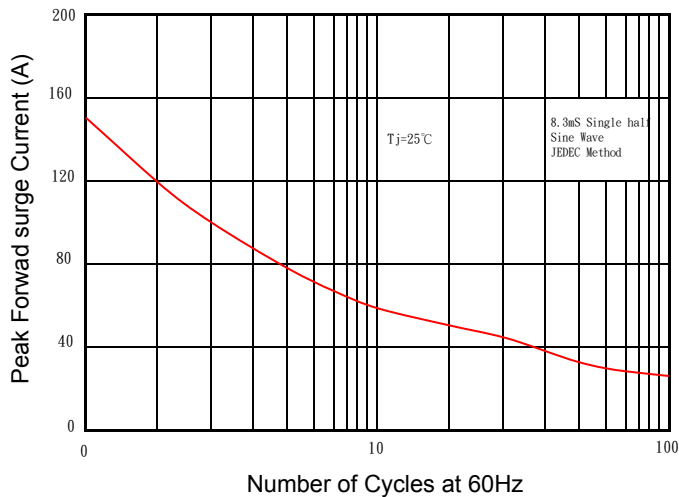
Typical Forward Characteristic



Typical Junction Capacitance



Maximum Non- Repetitive Forward Surge Current



Typical Reverse Characteristic

