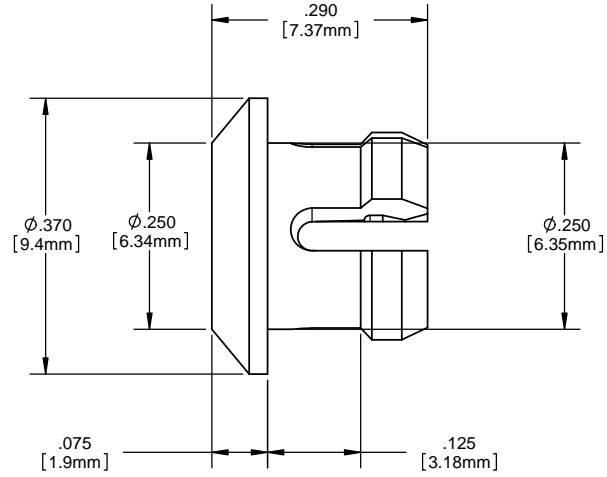
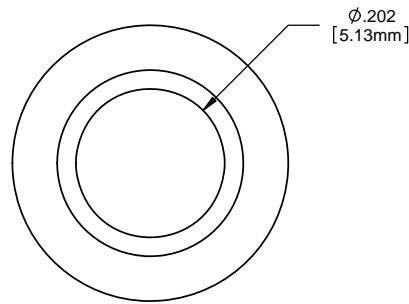
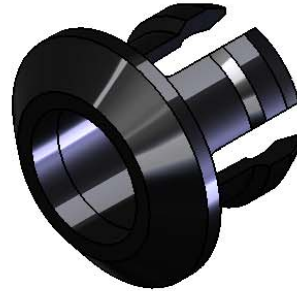


- NOTES:**
1. MOUNTING: MOUNTS IN A  $\phi .250 \pm .002$  [ $\phi 6.35\text{mm} \pm .05$ ] PANEL HOLE ON  $.375$  [9.5mm] CENTERS
  2. PANEL THICKNESS:  $.031$  [3.18mm] TO  $.125$  [3.18mm]
  3. PANEL HOLE SHALL BE DEBURRED, BUT NOT CHAMFERED
  4. ASSEMBLY: INSERT CLIP MOUNT THROUGH PANEL HOLE. INSERT LED THROUGH CLIPMOUNT. SLIDE SPACER OVER CLIPMOUNT.
  5. U.S. AND FOREIGN PATENT ISSUED

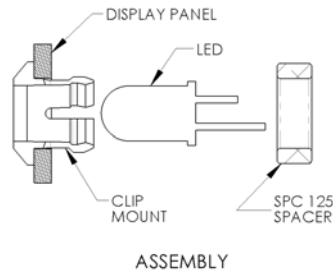
SPACER  
(ORDER SEPERATELY)



SPC 125



ORDERING CODE : **CLP 127 BLK**



ASSEMBLY

REVISIONS				
ECN#	REV.	DESCRIPTION	DATE	INITIALS
	1	CHG PART NO. AND DWG NO.	3-1-90	JS
	001	REVISED PER ECR111009AZ01	6-20-10	SMU
308	002	REVISED PER ECR 050311ED02	5-26-11	KH

<small>DIMENSION STYLE: INCHES (MM) GENERAL TOLERANCES UNLESS OTHERWISE SPECIFIED</small>		<small>APPROVAL</small> DRAWN: SMU CHECKED: DPZ		<small>DATE</small> 6-20-10 6-20-10	<b>OPTOELECTRONICS</b> <small>190 BOSSTICK BLVD. SUITE 101 SAN MARCOS, CA 92069 U.S.A.          PHONE: (760) 560-1300, FAX: (760) 560-1301 EMAIL: vccsales@vccite.com</small>
<small>INCHES</small>   <small>MM</small> X   $\pm .020$   $\pm .508$ XX   $\pm .010$   $\pm .254$ XXX   $\pm .005$   $\pm .127$		<small>MATERIAL</small> POLYCARBONATE, BLACK UL 94-V2		<small>TITLE:</small> <b>CLIPLITE® CLP 127 MOUNT</b>	
<small>THIRD ANGLE PROJECTION</small> <small>PROPRIETARY AND CONFIDENTIAL</small> <small>THE INFORMATION CONTAINED IN THIS DRAWING IS THE SOLE PROPERTY OF VISUAL COMMUNICATIONS COMPANY, INC. ANY REPRODUCTION IN PART OR AS A WHOLE WITHOUT THE WRITTEN PERMISSION OF VISUAL COMMUNICATIONS COMPANY, INC IS PROHIBITED.</small>		<small>FINISH</small> SEE NOTES		<small>SCALE:</small> 6:1	<small>SIZE</small> DWG. NO. <b>CLP 127 BLK</b> <small>REV</small> <b>002</b>
		<small>DO NOT SCALE DRAWING</small>		<small>SHEET 1 OF 1</small>	