

## MCF51QE128 Series

Covers: MCF51QE128, MCF51QE64

- 32-Bit Version 1 ColdFire<sup>®</sup> Central Processor Unit (CPU)
  - Up to 50.33-MHz ColdFire CPU from 3.6V to 2.1V, and 20-MHz CPU at 2.1V to 1.8V across temperature range of -40°C to 85°C
  - Provides 0.94 Dhrystone 2.1 MIPS per MHz performance when running from internal RAM (0.76 DMIPS/MHz from flash)
  - Implements Instruction Set Revision C (ISA\_C)
  - Support for up to 30 peripheral interrupt requests and seven software interrupts
- On-Chip Memory
  - Flash read/program/erase over full operating voltage and temperature
  - Random-access memory (RAM)
  - Security circuitry to prevent unauthorized access to RAM and flash contents
- Power-Saving Modes
  - Two low power stop modes; reduced power wait mode
  - Peripheral clock enable register can disable clocks to unused modules, reducing currents; allows clocks to remain enabled to specific peripherals in stop3 mode
  - Very low power external oscillator can be used in stop3 mode to provide accurate clock to active peripherals
  - Very low power real time counter for use in run, wait, and stop modes with internal and external clock sources
  - 6  $\mu$ s typical wake up time from stop modes
- Clock Source Options
  - Oscillator (XOSC) — Loop-control Pierce oscillator; Crystal or ceramic resonator range of 31.25 kHz to 38.4 kHz or 1 MHz to 16 MHz
  - Internal Clock Source (ICS) — FLL controlled by internal or external reference; precision trimming of internal reference allows 0.2% resolution and 2% deviation; supports CPU freq. from 2 to 50.33 MHz
- System Protection
  - Watchdog computer operating properly (COP) reset with option to run from dedicated 1-kHz internal clock source or bus clock
  - Low-voltage detection with reset or interrupt; selectable trip points
  - Illegal opcode and illegal address detection with programmable reset or exception response
  - Flash block protection

## MCF51QE128



80-LQFP  
Case 917A  
14 mm<sup>2</sup>



64-LQFP  
Case 840F  
10 mm<sup>2</sup>

- Development Support
  - Single-wire background debug interface
  - 4 PC plus 2 address (optional data) breakpoint registers with programmable 1- or 2-level trigger response
  - 64-entry processor status and debug data trace buffer with programmable start/stop conditions
- ADC — 24-channel, 12-bit resolution; 2.5  $\mu$ s conversion time; automatic compare function; 1.7 mV/°C temperature sensor; internal bandgap reference channel; operation in stop3; fully functional from 3.6V to 1.8V
- ACMPx — Two analog comparators with selectable interrupt on rising, falling, or either edge of comparator output; compare option to fixed internal bandgap reference voltage; outputs can be optionally routed to TPM module; operation in stop3
- SCIx — Two SCIs with full duplex non-return to zero (NRZ); LIN master extended break generation; LIN slave extended break detection; wake up on active edge
- SPIx — Two serial peripheral interfaces with Full-duplex or single-wire bidirectional; Double-buffered transmit and receive; MSB-first or LSB-first shifting
- IICx — Two IICs with; Up to 100 kbps with maximum bus loading; Multi-master operation; Programmable slave address; Interrupt driven byte-by-byte data transfer; supports broadcast mode and 10 bit addressing
- TPMx — One 6-channel and two 3-channel; Selectable input capture, output compare, or buffered edge- or center-aligned PWMs on each channel
- RTC — 8-bit modulus counter with binary or decimal based prescaler; External clock source for precise time base, time-of-day, calendar or task scheduling functions; Free running on-chip low power oscillator (1 kHz) for cyclic wake-up without external components
- Input/Output
  - 70 GPIOs and 1 input-only and 1 output-only pin
  - 16 KBI interrupts with selectable polarity
  - Hysteresis and configurable pull-up device on all input pins; Configurable slew rate and drive strength on all output pins.
  - SET/CLR registers on 16 pins (PTC and PTE)
  - 16 bits of Rapid GPIO connected to the CPU's high-speed local bus with set, clear, and toggle functionality

This document contains information on a new product. Specifications and information herein are subject to change without notice.

## Table of Contents

1	MCF51QE128 Series Comparison	4	3.10.2 TPM Module Timing	23
2	Pin Assignments	5	3.10.3 SPI Timing	24
3	Electrical Characteristics	9	3.10.4 Analog Comparator (ACMP) Electricals	27
3.1	Introduction	9	3.10.5 ADC Characteristics	27
3.2	Parameter Classification	9	3.10.6 Flash Specifications	30
3.3	Absolute Maximum Ratings	9	3.11 EMC Performance	30
3.4	Thermal Characteristics	10	3.11.1 Radiated Emissions	31
3.5	ESD Protection and Latch-Up Immunity	11	3.11.2 Conducted Transient Susceptibility	31
3.6	DC Characteristics	12	4 Ordering Information	32
3.7	Supply Current Characteristics	15	5 Package Information	32
3.8	External Oscillator (XOSC) Characteristics	18	5.1 Mechanical Drawings	32
3.9	Internal Clock Source (ICS) Characteristics	19	6 Product Documentation	37
3.10	AC Characteristics	21	7 Revision History	37
3.10.1	Control Timing	21		

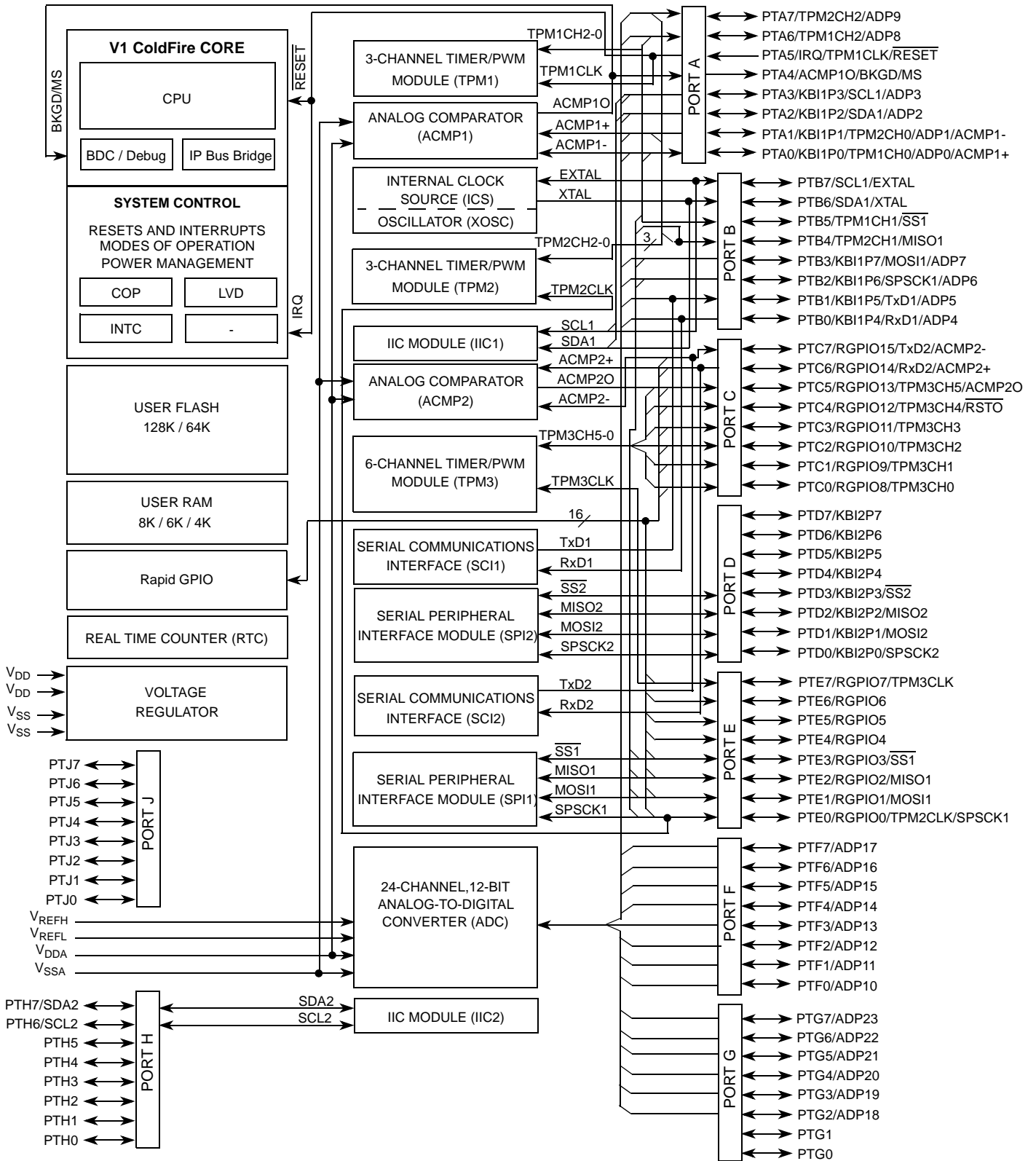


Figure 1. MCF51QE128 Series Block Diagram

# 1 MCF51QE128 Series Comparison

The following table compares the various device derivatives available within the MCF51QE128 series.

**Table 1. MCF51QE128 Series Features by MCU and Package**

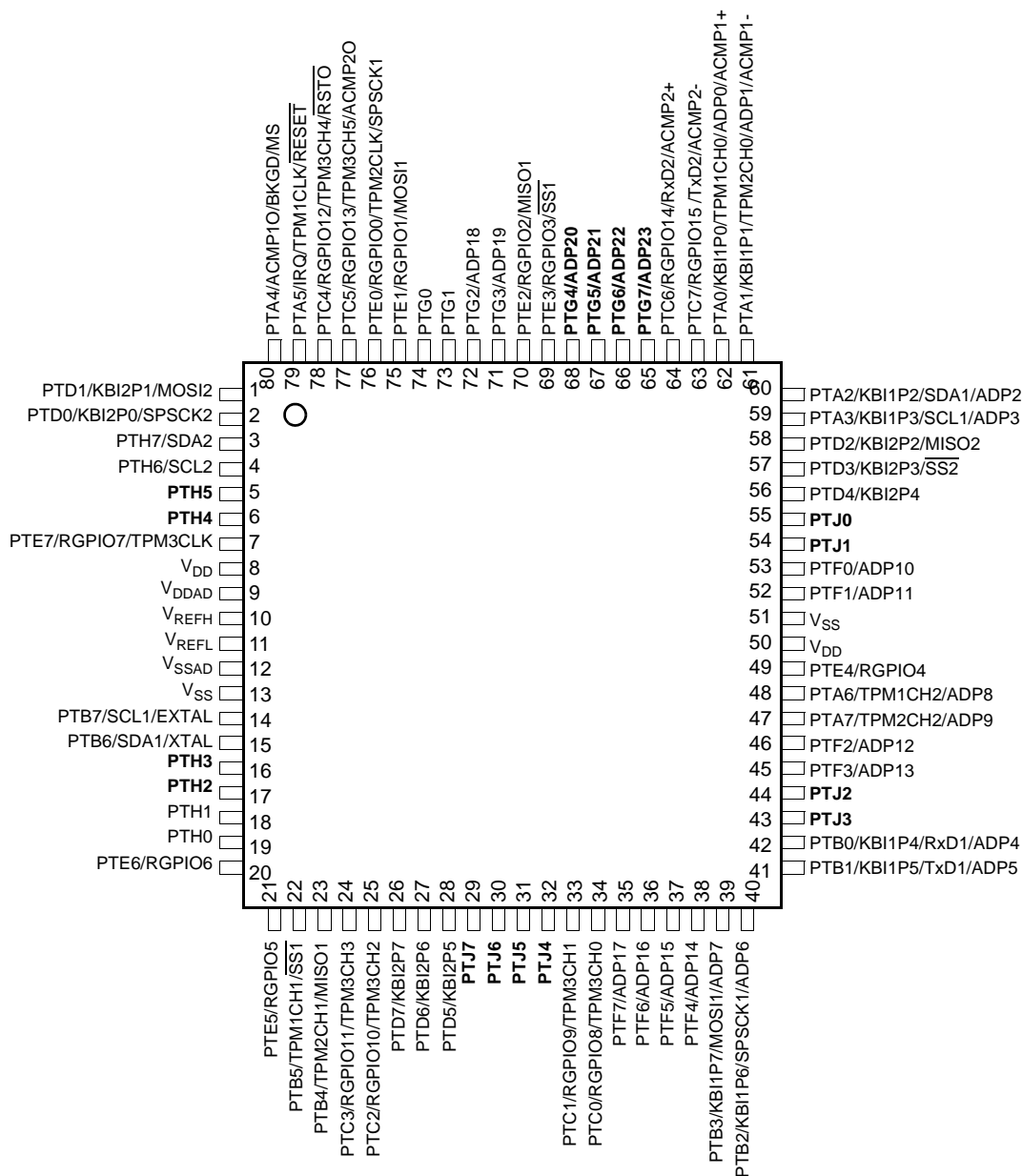
Feature	MCF51QE128		MCF51QE64
Flash size (bytes)	131072		65536
RAM size (bytes)	8192		4096
Pin quantity	80	64	64
Version 1 ColdFire core	yes		
ACMP1	yes		
ACMP2	yes		
ADC channels	24	22	22
DBG	yes		
ICS	yes		
IIC1	yes		
IIC2	yes		
KBI	16		
Port I/O <sup>1, 2</sup>	70	54	54
Rapid GPIO	yes		
RTC	yes		
SCI1	yes		
SCI2	yes		
SPI1	yes		
SPI2	yes		
External IRQ	yes		
TPM1 channels	3		
TPM2 channels	3		
TPM3 channels	6		
XOSC	yes		

<sup>1</sup> Port I/O count does not include the input-only PTA5/IRQ/TPM1CLK/RESET or the output-only PTA4/ACMP1O/BKGD/MS.

<sup>2</sup> 16 bits associated with Ports C and E are shadowed with ColdFire Rapid GPIO module.

## 2 Pin Assignments

This section describes the pin assignments for the available packages. See [Table 1](#) for pin availability by package pin-count.



Pins in **bold** are added from the next smaller package.

**Figure 2. Pin Assignments in 80-Pin LQFP**

## Pin Assignments

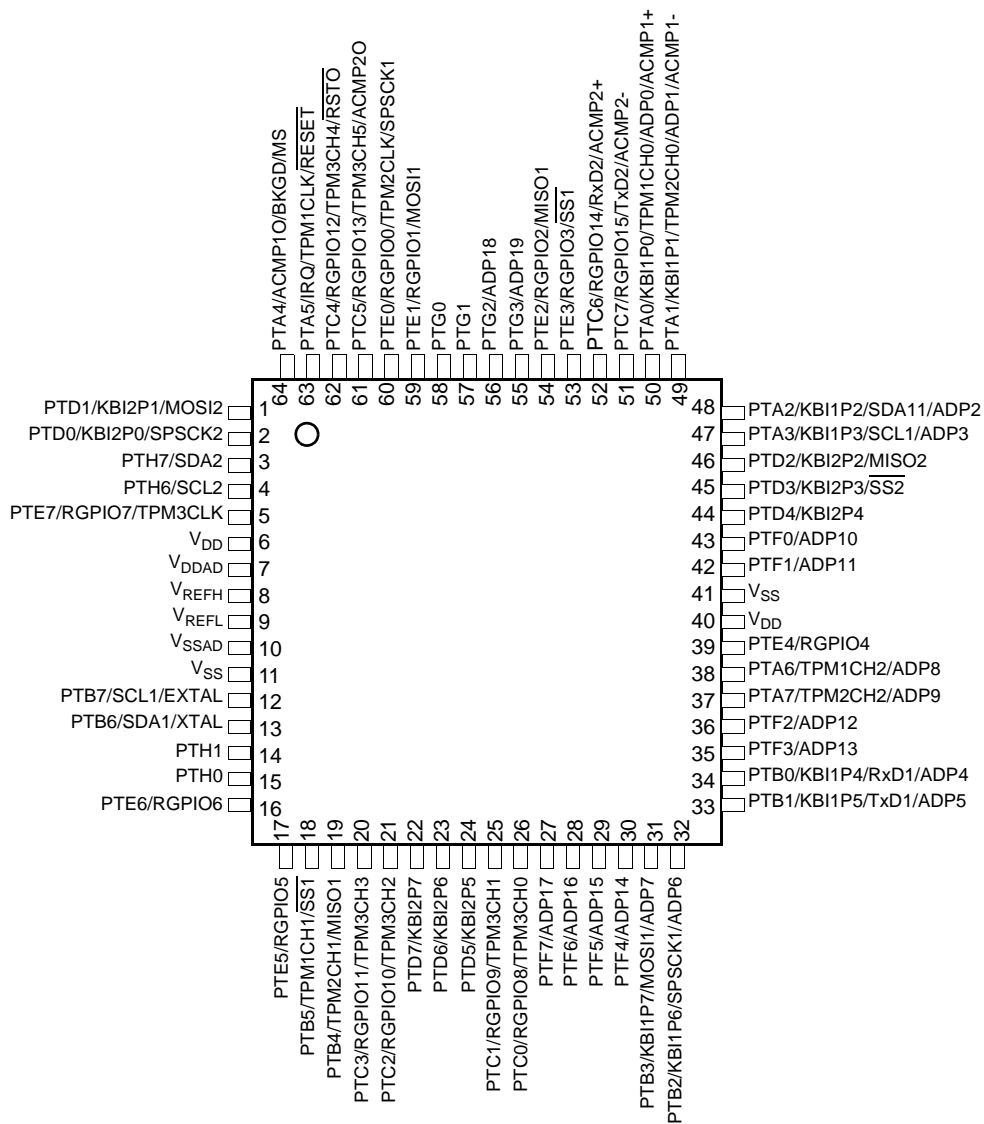


Figure 3. Pin Assignments in 64-Pin LQFP Package

Table 2. MCF51QE128 Series Pin Assignment by Package and Pin Sharing Priority

Pin Number		Lowest	←	Priority	→	Highest
80	64	Port Pin	Alt 1	Alt 2	Alt 3	Alt 4
1	1	PTD1	KBI2P1	MOSI2		
2	2	PTD0	KBI2P0	SPSCK2		
3	3	PTH7	SDA2			
4	4	PTH6	SCL2			
5	—	PTH5				
6	—	PTH4				
7	5	PTE7	RGPIO7	TPM3CLK		
8	6					V <sub>DD</sub>
9	7					V <sub>DDAD</sub>
10	8					V <sub>REFH</sub>
11	9					V <sub>REFL</sub>
12	10					V <sub>SSAD</sub>
13	11					V <sub>SS</sub>
14	12	PTB7	SCL1			EXTAL
15	13	PTB6	SDA1			XTAL
16	—	PTH3				
17	—	PTH2				
18	14	PTH1				
19	15	PTH0				
20	16	PTE6	RGPIO6			
21	17	PTE5	RGPIO5			
22	18	PTB5	TPM1CH1	SS1		
23	19	PTB4	TPM2CH1	MISO1		
24	20	PTC3	RGPIO11	TPM3CH3		
25	21	PTC2	RGPIO10	TPM3CH2		
26	22	PTD7	KBI2P7			
27	23	PTD6	KBI2P6			
28	24	PTD5	KBI2P5			
29	—	PTJ7				
30	—	PTJ6				
31	—	PTJ5				
32	—	PTJ4				
33	25	PTC1	RGPIO9	TPM3CH1		
34	26	PTC0	RGPIO8	TPM3CH0		
35	27	PTF7				ADP17
36	28	PTF6				ADP16
37	29	PTF5				ADP15
38	30	PTF4				ADP14
39	31	PTB3	KBI1P7	MOSI1 <sup>1</sup>		ADP7
40	32	PTB2	KBI1P6	SPSCK1		ADP6

## Pin Assignments

**Table 2. MCF51QE128 Series Pin Assignment by Package and Pin Sharing Priority (continued)**

Pin Number		Lowest	← Priority →			Highest
80	64	Port Pin	Alt 1	Alt 2	Alt 3	Alt 4
41	33	PTB1	KBI1P5	TxD1		ADP5
42	34	PTB0	KBI1P4	RxD1		ADP4
43	—	PTJ3				
44	—	PTJ2				
45	35	PTF3				ADP13
46	36	PTF2				ADP12
47	37	PTA7	TPM2CH2			ADP9
48	38	PTA6	TPM1CH2			ADP8
49	39	PTE4	RGPIO4			
50	40					V <sub>DD</sub>
51	41					V <sub>SS</sub>
52	42	PTF1				ADP11
53	43	PTF0				ADP10
54	—	PTJ1				
55	—	PTJ0				
56	44	PTD4	KBI2P4			
57	45	PTD3	KBI2P3	SS2		
58	46	PTD2	KBI2P2	MISO2		
59	47	PTA3	KBI1P3	SCL1 <sup>2</sup>		ADP3
60	48	PTA2	KBI1P2	SDA1		ADP2
61	49	PTA1	KBI1P1	TPM2CH0	ADP1	ACMP1-
62	50	PTA0	KBI1P0	TPM1CH0	ADP0	ACMP1+
63	51	PTC7	RGPIO15	TxD2		ACMP2-
64	52	PTC6	RGPIO14	RxD2		ACMP2+
65	—	PTG7				ADP23
66	—	PTG6				ADP22
67	—	PTG5				ADP21
68	—	PTG4				ADP20
69	53	PTE3	RGPIO3	SS1		
70	54	PTE2	RGPIO2	MISO1		
71	55	PTG3				ADP19
72	56	PTG2				ADP18
73	57	PTG1				
74	58	PTG0				
75	59	PTE1	RGPIO1	MOSI1		
76	60	PTE0	RGPIO0	TPM2CLK	SPSCK1	
77	61	PTC5	RGPIO13	TPM3CH5		ACMP20
78	62	PTC4	RGPIO12	TPM3CH4	RSTO	
79	63	PTA5	IRQ	TPM1CLK	RESET	
80	64	PTA4 <sup>3</sup>	ACMP10	BKGD	MS	



- <sup>1</sup> SPI1 pins ( $\overline{SS1}$ , MISO1, MOSI1, and SPCK2) can be repositioned using SPI1PS in SOPT2. Default locations are PTB5, PTB4, PTB3, and PTB2.
- <sup>2</sup> IIC1 pins (SCL1 and SDA1) can be repositioned using IIC1PS in SOPT2. Default locations are PTA3 and PTA2, respectively.
- <sup>3</sup> The PTA4/ACMP10/BKGD/MS is limited to output only for the port I/O function.

## 3 Electrical Characteristics

### 3.1 Introduction

This section contains electrical and timing specifications for the MCF51QE128 series of microcontrollers available at the time of publication.

### 3.2 Parameter Classification

The electrical parameters shown in this supplement are guaranteed by various methods. To give the customer a better understanding the following classification is used and the parameters are tagged accordingly in the tables where appropriate:

**Table 3. Parameter Classifications**

<b>P</b>	Those parameters are guaranteed during production testing on each individual device.
<b>C</b>	Those parameters are achieved by the design characterization by measuring a statistically relevant sample size across process variations.
<b>T</b>	Those parameters are achieved by design characterization on a small sample size from typical devices under typical conditions unless otherwise noted. All values shown in the typical column are within this category.
<b>D</b>	Those parameters are derived mainly from simulations.

#### NOTE

The classification is shown in the column labeled “C” in the parameter tables where appropriate.

### 3.3 Absolute Maximum Ratings

Absolute maximum ratings are stress ratings only, and functional operation at the maxima is not guaranteed. Stress beyond the limits specified in [Table 4](#) may affect device reliability or cause permanent damage to the device. For functional operating conditions, refer to the remaining tables in this section.

This device contains circuitry protecting against damage due to high static voltage or electrical fields; however, it is advised that normal precautions be taken to avoid application of any voltages higher than maximum-rated voltages to this high-impedance circuit. Reliability of operation is enhanced if unused inputs are tied to an appropriate logic voltage level (for instance, either  $V_{SS}$  or  $V_{DD}$ ) or the programmable pull-up resistor associated with the pin is enabled.

**Table 4. Absolute Maximum Ratings**

Rating	Symbol	Value	Unit
Supply voltage	$V_{DD}$	-0.3 to +3.8	V
Maximum current into $V_{DD}$	$I_{DD}$	120	mA
Digital input voltage	$V_{In}$	-0.3 to $V_{DD} + 0.3$	V
Instantaneous maximum current Single pin limit (applies to all port pins) <sup>1, 2, 3</sup>	$I_D$	± 25	mA
Storage temperature range	$T_{stg}$	-55 to 150	°C

- <sup>1</sup> Input must be current limited to the value specified. To determine the value of the required current-limiting resistor, calculate resistance values for positive ( $V_{DD}$ ) and negative ( $V_{SS}$ ) clamp voltages, then use the larger of the two resistance values.
- <sup>2</sup> All functional non-supply pins are internally clamped to  $V_{SS}$  and  $V_{DD}$ .
- <sup>3</sup> Power supply must maintain regulation within operating  $V_{DD}$  range during instantaneous and operating maximum current conditions. If positive injection current ( $V_{In} > V_{DD}$ ) is greater than  $I_{DD}$ , the injection current may flow out of  $V_{DD}$  and could result in external power supply going out of regulation. Ensure external  $V_{DD}$  load will shunt current greater than maximum injection current. This will be the greatest risk when the MCU is not consuming power. Examples are: if no system clock is present, or if the clock rate is very low (which would reduce overall power consumption).

### 3.4 Thermal Characteristics

This section provides information about operating temperature range, power dissipation, and package thermal resistance. Power dissipation on I/O pins is usually small compared to the power dissipation in on-chip logic and voltage regulator circuits, and it is user-determined rather than being controlled by the MCU design. To take  $P_{I/O}$  into account in power calculations, determine the difference between actual pin voltage and  $V_{SS}$  or  $V_{DD}$  and multiply by the pin current for each I/O pin. Except in cases of unusually high pin current (heavy loads), the difference between pin voltage and  $V_{SS}$  or  $V_{DD}$  will be very small.

**Table 5. Thermal Characteristics**

Rating	Symbol	Value	Unit
Operating temperature range (packaged)	$T_A$	$T_L$ to $T_H$ -40 to 85	°C
Maximum junction temperature	$T_{JM}$	95	°C
Thermal resistance Single-layer board			
64-pin LQFP	$\theta_{JA}$	69	°C/W
80-pin LQFP		60	
Thermal resistance Four-layer board			
64-pin LQFP	$\theta_{JA}$	50	°C/W
80-pin LQFP		47	

The average chip-junction temperature ( $T_J$ ) in °C can be obtained from:

$$T_J = T_A + (P_D \times \theta_{JA}) \tag{Eqn. 1}$$

where:

$T_A$  = Ambient temperature, °C

$\theta_{JA}$  = Package thermal resistance, junction-to-ambient, °C/W

$P_D = P_{int} + P_{I/O}$

$P_{int} = I_{DD} \times V_{DD}$ , Watts — chip internal power

$P_{I/O}$  = Power dissipation on input and output pins — user determined

For most applications,  $P_{I/O} \ll P_{int}$  and can be neglected. An approximate relationship between  $P_D$  and  $T_J$  (if  $P_{I/O}$  is neglected) is:

$$P_D = K \div (T_J + 273^\circ\text{C}) \quad \text{Eqn. 2}$$

Solving Equation 1 and Equation 2 for K gives:

$$K = P_D \times (T_A + 273^\circ\text{C}) + \theta_{JA} \times (P_D)^2 \quad \text{Eqn. 3}$$

where K is a constant pertaining to the particular part. K can be determined from equation 3 by measuring  $P_D$  (at equilibrium) for a known  $T_A$ . Using this value of K, the values of  $P_D$  and  $T_J$  can be obtained by solving Equation 1 and Equation 2 iteratively for any value of  $T_A$ .

### 3.5 ESD Protection and Latch-Up Immunity

Although damage from electrostatic discharge (ESD) is much less common on these devices than on early CMOS circuits, normal handling precautions should be used to avoid exposure to static discharge. Qualification tests are performed to ensure that these devices can withstand exposure to reasonable levels of static without suffering any permanent damage.

All ESD testing is in conformity with AEC-Q100 Stress Test Qualification for Automotive Grade Integrated Circuits. During the device qualification ESD stresses were performed for the human body model (HBM), the machine model (MM) and the charge device model (CDM).

A device is defined as a failure if after exposure to ESD pulses the device no longer meets the device specification. Complete DC parametric and functional testing is performed per the applicable device specification at room temperature followed by hot temperature, unless specified otherwise in the device specification.

**Table 6. ESD and Latch-up Test Conditions**

Model	Description	Symbol	Value	Unit
Human Body	Series resistance	R1	1500	Ω
	Storage capacitance	C	100	pF
	Number of pulses per pin	—	3	
Machine	Series resistance	R1	0	Ω
	Storage capacitance	C	200	pF
	Number of pulses per pin	—	3	
Latch-up	Minimum input voltage limit		-2.5	V
	Maximum input voltage limit		7.5	V

## Electrical Characteristics

**Table 7. ESD and Latch-Up Protection Characteristics**

No.	Rating <sup>1</sup>	Symbol	Min	Max	Unit
1	Human body model (HBM)	$V_{HBM}$	$\pm 2000$	—	V
2	Machine model (MM)	$V_{MM}$	$\pm 200$	—	V
3	Charge device model (CDM)	$V_{CDM}$	$\pm 500$	—	V
4	Latch-up current at $T_A = 85^\circ\text{C}$	$I_{LAT}$	$\pm 100$	—	mA

<sup>1</sup> Parameter is achieved by design characterization on a small sample size from typical devices under typical conditions unless otherwise noted.

## 3.6 DC Characteristics

This section includes information about power supply requirements and I/O pin characteristics.

**Table 8. DC Characteristics**

Num	C	Characteristic	Symbol	Condition	Min	Typ <sup>1</sup>	Max	Unit
1		Operating Voltage			1.8		3.6	V
2	C	Output high voltage All I/O pins, low-drive strength	$V_{OH}$	1.8 V, $I_{Load} = -2$ mA	$V_{DD} - 0.5$	—	—	V
	P			2.7 V, $I_{Load} = -10$ mA	$V_{DD} - 0.5$	—		
	T	2.3 V, $I_{Load} = -6$ mA		$V_{DD} - 0.5$	—			
	C	1.8 V, $I_{Load} = -3$ mA		$V_{DD} - 0.5$	—			
3	D	Output high current Max total $I_{OH}$ for all ports	$I_{OHT}$		—	—	100	mA
4	C	Output low voltage All I/O pins, low-drive strength	$V_{OL}$	1.8 V, $I_{Load} = 2$ mA	—	—	0.5	V
	P			2.7 V, $I_{Load} = 10$ mA	—	—	0.5	
	T	2.3 V, $I_{Load} = 6$ mA		—	—	0.5		
	C	1.8 V, $I_{Load} = 3$ mA		—	—	0.5		
5	D	Output low current Max total $I_{OL}$ for all ports	$I_{OLT}$		—	—	100	mA
6	P	Input high voltage all digital inputs	$V_{IH}$	$V_{DD} > 2.7$ V	$0.70 \times V_{DD}$	—	—	V
	C			$V_{DD} > 1.8$ V	$0.85 \times V_{DD}$	—	—	
7	P	Input low voltage all digital inputs	$V_{IL}$	$V_{DD} > 2.7$ V	—	—	$0.35 \times V_{DD}$	V
	C			$V_{DD} > 1.8$ V	—	—	$0.30 \times V_{DD}$	
8	C	Input hysteresis all digital inputs	$V_{hys}$		$0.06 \times V_{DD}$	—	—	mV
9	P	Input leakage current all input only pins (Per pin)	$ I_{In} $	$V_{In} = V_{DD}$ or $V_{SS}$	—	0.1	1	$\mu\text{A}$
10	P	Hi-Z (off-state) leakage current all input/output (per pin)	$ I_{OZ} $	$V_{In} = V_{DD}$ or $V_{SS}$	—	0.1	1	$\mu\text{A}$
11	P	Pull-up resistors all digital inputs, when enabled	$R_{PU}$		17.5	—	52.5	$\text{k}\Omega$

Table 8. DC Characteristics (continued)

Num	C	Characteristic	Symbol	Condition	Min	Typ <sup>1</sup>	Max	Unit
12	D	DC injection current <sup>2, 3, 4</sup> <span style="float: right;">Single pin limit</span>	$I_{IC}$	$V_{IN} < V_{SS}, V_{IN} > V_{DD}$	-0.2	—	0.2	mA
		Total MCU limit, includes sum of all stressed pins			-5	—	5	mA
13	C	Input Capacitance, all pins	$C_{In}$		—	—	8	pF
14	C	RAM retention voltage	$V_{RAM}$		—	0.6	1.0	V
15	C	POR re-arm voltage <sup>5</sup>	$V_{POR}$		0.9	1.4	2.0	V
16	D	POR re-arm time	$t_{POR}$		10	—	—	μs
17	P	Low-voltage detection threshold — high range	$V_{LVDH}$	$V_{DD}$ falling $V_{DD}$ rising	2.08 2.16	2.1 2.19	2.2 2.27	V
18	P	Low-voltage detection threshold — low range	$V_{LVDL}$	$V_{DD}$ falling $V_{DD}$ rising	1.80 1.88	1.82 1.90	1.91 1.99	V
19	P	Low-voltage warning threshold — high range	$V_{LVWH}$	$V_{DD}$ falling $V_{DD}$ rising	2.36 2.36	2.46 2.46	2.56 2.56	V
20	P	Low-voltage warning threshold — low range	$V_{LVWL}$	$V_{DD}$ falling $V_{DD}$ rising	2.08 2.16	2.1 2.19	2.2 2.27	V
21	P	Low-voltage inhibit reset/recover hysteresis	$V_{hys}$		—	80	—	mV
22	P	Bandgap Voltage Reference <sup>6</sup>	$V_{BG}$		1.19	1.20	1.21	V

- <sup>1</sup> Typical values are measured at 25°C. Characterized, not tested
- <sup>2</sup> All functional non-supply pins are internally clamped to  $V_{SS}$  and  $V_{DD}$ .
- <sup>3</sup> Input must be current limited to the value specified. To determine the value of the required current-limiting resistor, calculate resistance values for positive and negative clamp voltages, then use the larger of the two values.
- <sup>4</sup> Power supply must maintain regulation within operating  $V_{DD}$  range during instantaneous and operating maximum current conditions. If positive injection current ( $V_{in} > V_{DD}$ ) is greater than  $I_{DD}$ , the injection current may flow out of  $V_{DD}$  and could result in external power supply going out of regulation. Ensure external  $V_{DD}$  load will shunt current greater than maximum injection current. This will be the greatest risk when the MCU is not consuming power. Examples are: if no system clock is present, or if clock rate is very low (which would reduce overall power consumption).
- <sup>5</sup> Maximum is highest voltage that POR is guaranteed.
- <sup>6</sup> Factory trimmed at  $V_{DD} = 3.0$  V, Temp = 25°C

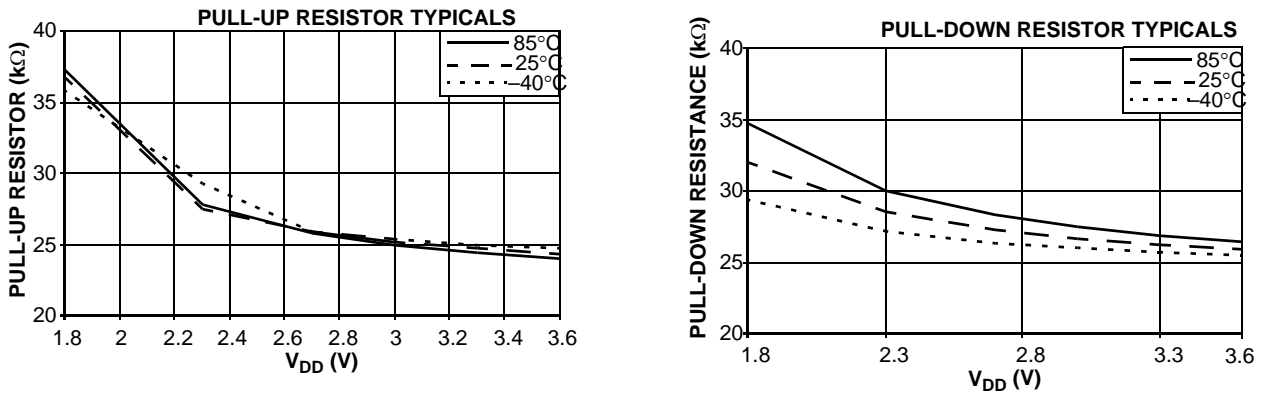
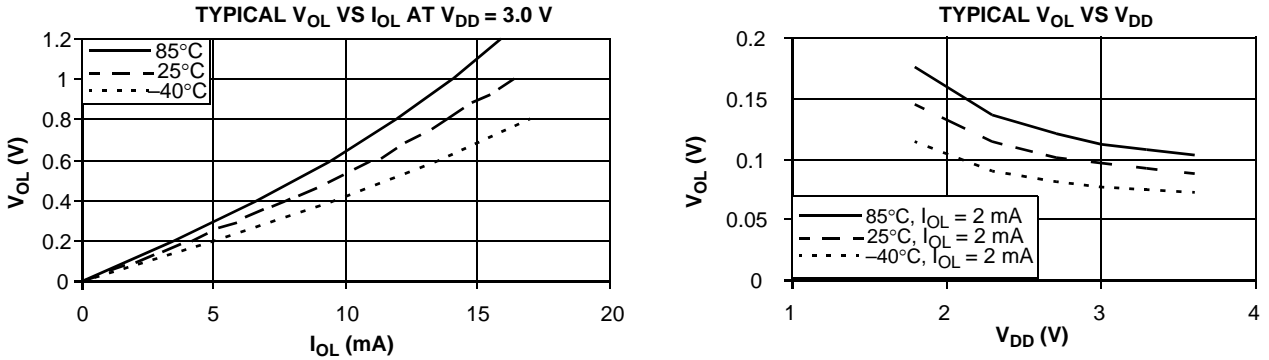
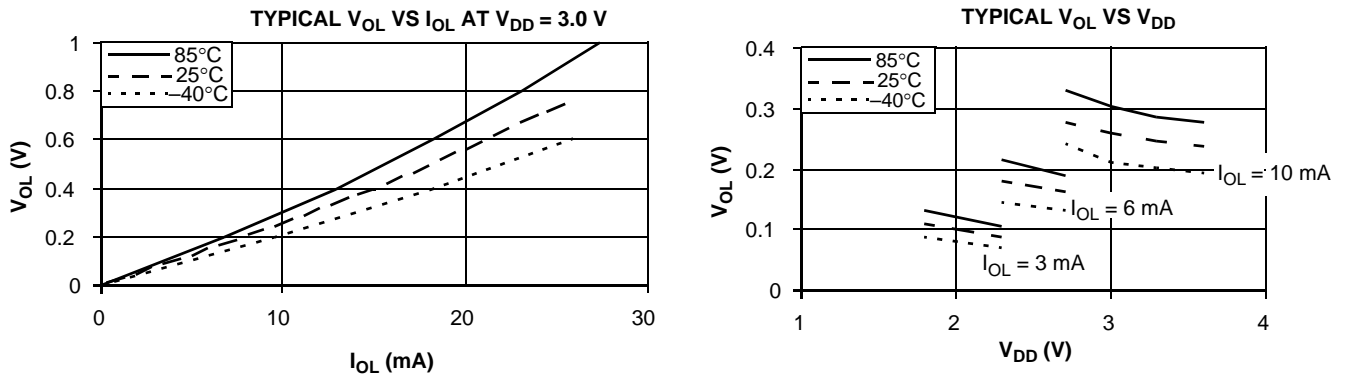


Figure 4. Pull-up and Pull-down Typical Resistor Values

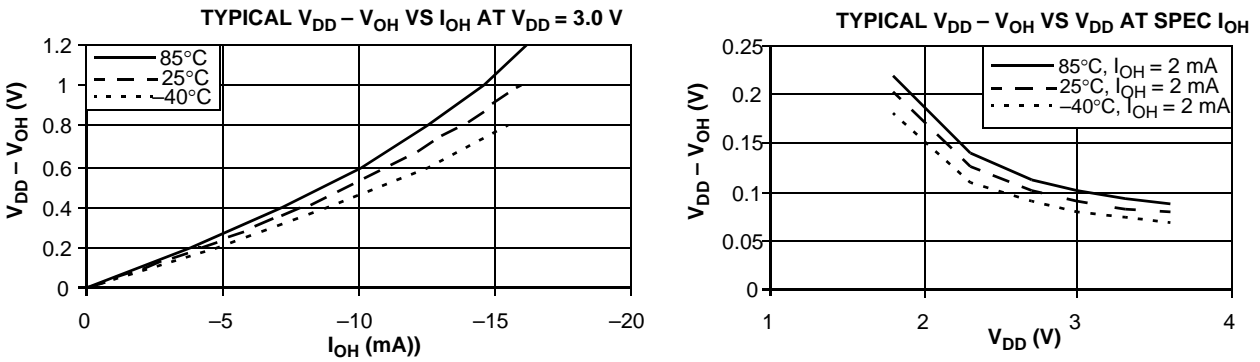
**Electrical Characteristics**



**Figure 5. Typical Low-Side Driver (Sink) Characteristics — Low Drive (PTxDSn = 0)**



**Figure 6. Typical Low-Side Driver (Sink) Characteristics — High Drive (PTxDSn = 1)**



**Figure 7. Typical High-Side (Source) Characteristics — Low Drive (PTxDSn = 0)**

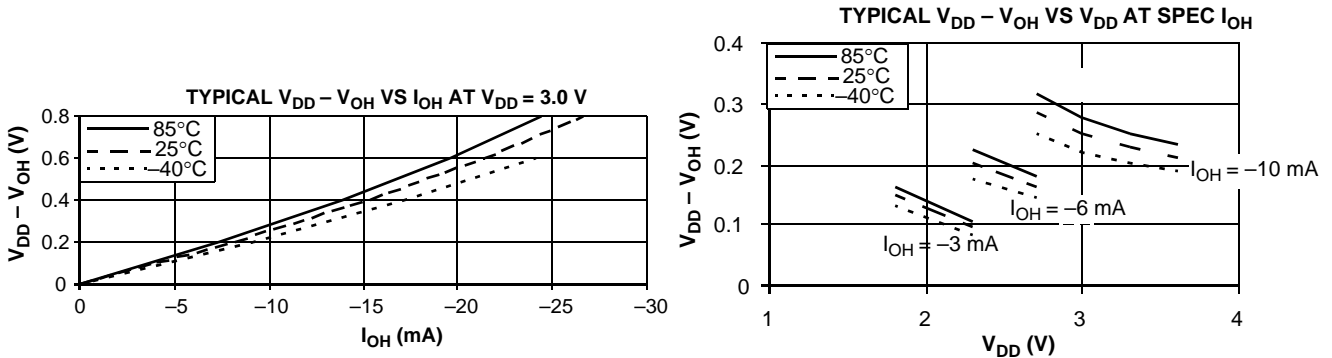


Figure 8. Typical High-Side (Source) Characteristics — High Drive (PTxDSn = 1)

### 3.7 Supply Current Characteristics

This section includes information about power supply current in various operating modes.

Table 9. Supply Current Characteristics

Num	C	Parameter	Symbol	Bus Freq	V <sub>DD</sub> (V)	Typ <sup>1</sup>	Max	Unit	Temp (°C)
1	P	Run supply current FEI mode, all modules on	R <sub>I<sub>DD</sub></sub>	25.165 MHz	3	33.4	TBD	mA	-40 to 85°C
	T			20 MHz		28.0	TBD		
	T			8 MHz		13.2	TBD		
	T			1 MHz		2.4	TBD		
2	C	Run supply current FEI mode, all modules off	R <sub>I<sub>DD</sub></sub>	25.165 MHz	3	27.4	TBD	mA	-40 to 85°C
	T			20 MHz		22.9	TBD		
	T			8 MHz		11.3	TBD		
	T			1 MHz		2.0	TBD		
3	T	Run supply current LPS=0, all modules off	R <sub>I<sub>DD</sub></sub>	16 kHz FBILP	3	203	TBD	μA	-40 to 85°C
	T			16 kHz FBELP		154	TBD		
4	T	Run supply current LPS=1, all modules off, running from Flash	R <sub>I<sub>DD</sub></sub>	16 kHz FBELP	3	50	TBD	μA	0 to 70°C
						TBD	TBD		-40 to 85°C
5	C	Wait mode supply current FEI mode, all modules off	W <sub>I<sub>DD</sub></sub>	25.165 MHz	3	5740	TBD	μA	-40 to 85°C
	T			20 MHz		4570	TBD		
	T			8 MHz		2000	TBD		
	T			1 MHz		730	TBD		
6	P	Stop2 mode supply current	S2 <sub>I<sub>DD</sub></sub>	n/a	3	350	TBD	nA	0 to 70°C
						TBD	TBD		-40 to 85°C
7	P	Stop3 mode supply current No clocks active	S3 <sub>I<sub>DD</sub></sub>	n/a	3	520	TBD	nA	0 to 70°C
						TBD	TBD		-40 to 85°C

## Electrical Characteristics

**Table 9. Supply Current Characteristics (continued)**

Num	C	Parameter	Symbol	Bus Freq	V <sub>DD</sub> (V)	Typ <sup>1</sup>	Max	Unit	Temp (°C)
8	T	Low power mode adders:	EREFSTEN=1	32 kHz	3	500	TBD	nA	0 to 70°C
							TBD		-40 to 85°C
9	T		IREFSTEN=1	32 kHz		70	TBD	μA	0 to 70°C
							TBD		-40 to 85°C
10	T		TPM PWM	100 Hz		12	TBD	μA	0 to 70°C
							TBD		-40 to 85°C
11	T		SCI, SPI, or IIC	300 bps		15	TBD	μA	0 to 70°C
							TBD		-40 to 85°C
12	T		RTC using LPO	1 kHz		200	TBD	nA	0 to 70°C
							TBD		-40 to 85°C
13	T	RTC using IC SERCLK	32 kHz	1	TBD	μA	0 to 70°C		
					TBD		-40 to 85°C		
14	T	LVD	n/a	100	TBD	μA	0 to 70°C		
					TBD		-40 to 85°C		
15	T	ACMP	n/a	20	TBD	μA	0 to 70°C		
					TBD		-40 to 85°C		

<sup>1</sup> Data in Typical column was characterized at 3.0 V, 25°C or is typical recommended value.



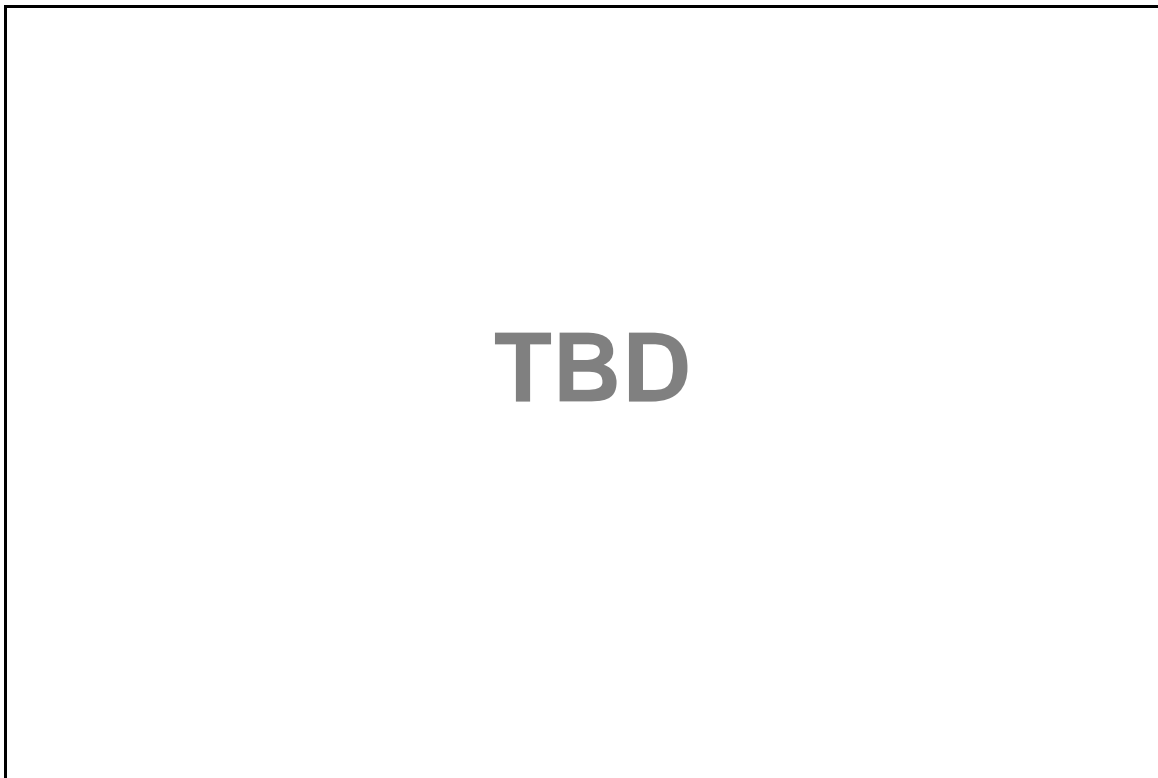


Figure 9. Typical Run  $I_{DD}$  for FBE and FEI,  $I_{DD}$  vs.  $V_{DD}$   
(ACMP and ADC off, All Other Modules Enabled)

### 3.8 External Oscillator (XOSC) Characteristics

Reference [Figure 10](#) and [Figure 11](#) for crystal or resonator circuits.

**Table 10. XOSC and ICS Specifications (Temperature Range = -40 to 85°C Ambient)**

Num	C	Characteristic	Symbol	Min	Typ <sup>1</sup>	Max	Unit
1	C	Oscillator crystal or resonator (EREFS = 1, ERCLKEN = 1)					
		Low range (RANGE = 0)	$f_{lo}$	32	—	38.4	kHz
		High range (RANGE = 1), high gain (HGO = 1)	$f_{hi}$	1	—	16	MHz
		High range (RANGE = 1), low power (HGO = 0)	$f_{hi}$	1	—	8	MHz
2	D	Load capacitors Low range (RANGE=0), low power (HGO=0) Other oscillator settings	$C_1, C_2$	See Note <sup>2</sup> See Note <sup>3</sup>			
3	D	Feedback resistor	$R_F$	—	—	—	M $\Omega$
		Low range, low power (RANGE=0, HGO=0) <sup>2</sup>		—	10	—	
		Low range, High Gain (RANGE=0, HGO=1) High range (RANGE=1, HGO=X)		—	1	—	
4	D	Series resistor —	$R_S$	—	—	—	k $\Omega$
		Low range, low power (RANGE = 0, HGO = 0) <sup>2</sup>		—	0	—	
		Low range, high gain (RANGE = 0, HGO = 1)		—	100	—	
		High range, low power (RANGE = 1, HGO = 0)		—	0	0	
		High range, high gain (RANGE = 1, HGO = 1)		—	0	10	
		≥ 8 MHz	—	0	20		
		4 MHz	—	0	10		
		1 MHz	—	0	20		
5	C	Crystal start-up time <sup>4</sup>	$t_{CSTL}$	—	200	—	ms
		Low range, low power		—	400	—	
		Low range, high power	$t_{CSTH}$	—	5	—	
		High range, low power		—	15	—	
High range, high power							
6	D	Square wave input clock frequency (EREFS = 0, ERCLKEN = 1)	$f_{extal}$	0.03125	—	50.33	MHz
		FEE mode FBE or FBELP mode		0	—	50.33	

<sup>1</sup> Data in Typical column was characterized at 3.0 V, 25°C or is typical recommended value.

<sup>2</sup> Load capacitors ( $C_1, C_2$ ), feedback resistor ( $R_F$ ) and series resistor ( $R_S$ ) are incorporated internally when RANGE=HGO=0.

<sup>3</sup> See crystal or resonator manufacturer's recommendation.

<sup>4</sup> Proper PC board layout procedures must be followed to achieve specifications.

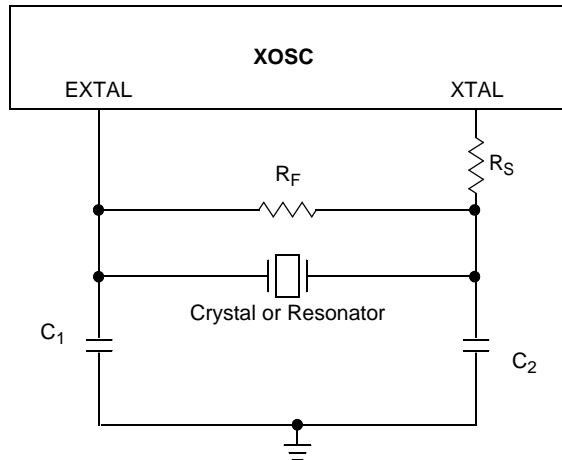


Figure 10. Typical Crystal or Resonator Circuit: High Range and Low Range/High Gain

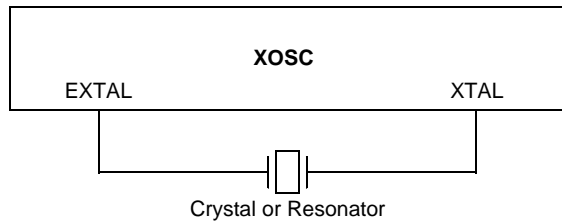


Figure 11. Typical Crystal or Resonator Circuit: Low Range/Low Gain

### 3.9 Internal Clock Source (ICS) Characteristics

Table 11. ICS Frequency Specifications (Temperature Range = -40 to 85°C Ambient)

Num	C	Characteristic	Symbol	Min	Typ <sup>1</sup>	Max	Unit	
1	P	Average internal reference frequency — factory trimmed at $V_{DD} = 3.6\text{ V}$ and temperature = 25°C	$f_{int\_ft}$	—	32.768	—	kHz	
2	P	Internal reference frequency — user trimmed	$f_{int\_ut}$	31.25	—	39.06	kHz	
3	T	Internal reference start-up time	$t_{IRST}$	—	60	100	μs	
4	P	DCO output frequency range — trimmed <sup>2</sup>	$f_{dco\_u}$	Low range (DRS=00)	16	—	20	MHz
	C			Mid range (DRS=01)	32	—	40	
	P			High range (DRS=10)	48	—	60	
5	P	DCO output frequency <sup>2</sup> Reference = 32768 Hz and DMX32 = 1	$f_{dco\_DMX32}$	Low range (DRS=00)	—	19.92	—	MHz
	P			Mid range (DRS=01)	—	39.85	—	
	P			High range (DRS=10)	—	59.77	—	
6	C	Resolution of trimmed DCO output frequency at fixed voltage and temperature (using FTRIM)	$\Delta f_{dco\_res\_t}$	—	± 0.1	± 0.2	% $f_{dco}$	
7	C	Resolution of trimmed DCO output frequency at fixed voltage and temperature (not using FTRIM)	$\Delta f_{dco\_res\_t}$	—	± 0.2	± 0.4	% $f_{dco}$	

**Electrical Characteristics**

**Table 11. ICS Frequency Specifications (Temperature Range = -40 to 85°C Ambient) (continued)**

Num	C	Characteristic	Symbol	Min	Typ <sup>1</sup>	Max	Unit
8	C	Total deviation of trimmed DCO output frequency over voltage and temperature	$\Delta f_{dco\_t}$	—	+ 0.5 -1.0	± 2	% $f_{dco}$
9	C	Total deviation of trimmed DCO output frequency over fixed voltage and temperature range of 0°C to 70 °C	$\Delta f_{dco\_t}$	—	± 0.5	± 1	% $f_{dco}$
10	C	FLL acquisition time <sup>3</sup>	$t_{Acquire}$	—	—	1	ms
11	C	Long term jitter of DCO output clock (averaged over 2-ms interval) <sup>4</sup>	$C_{Jitter}$	—	0.02	0.2	% $f_{dco}$

- <sup>1</sup> Data in Typical column was characterized at 3.0 V, 25°C or is typical recommended value.
- <sup>2</sup> The resulting bus clock frequency should not exceed the maximum specified bus clock frequency of the device.
- <sup>3</sup> This specification applies to any time the FLL reference source or reference divider is changed, trim value changed or changing from FLL disabled (FBELP, FBILP) to FLL enabled (FEI, FEE, FBE, FBI). If a crystal/resonator is being used as the reference, this specification assumes it is already running.
- <sup>4</sup> Jitter is the average deviation from the programmed frequency measured over the specified interval at maximum  $f_{BUS}$ . Measurements are made with the device powered by filtered supplies and clocked by a stable external clock signal. Noise injected into the FLL circuitry via  $V_{DD}$  and  $V_{SS}$  and variation in crystal oscillator frequency increase the  $C_{Jitter}$  percentage for a given interval.



**Figure 12. Deviation of DCO Output from Trimmed Frequency (50.33 MHz, 3.0 V)**

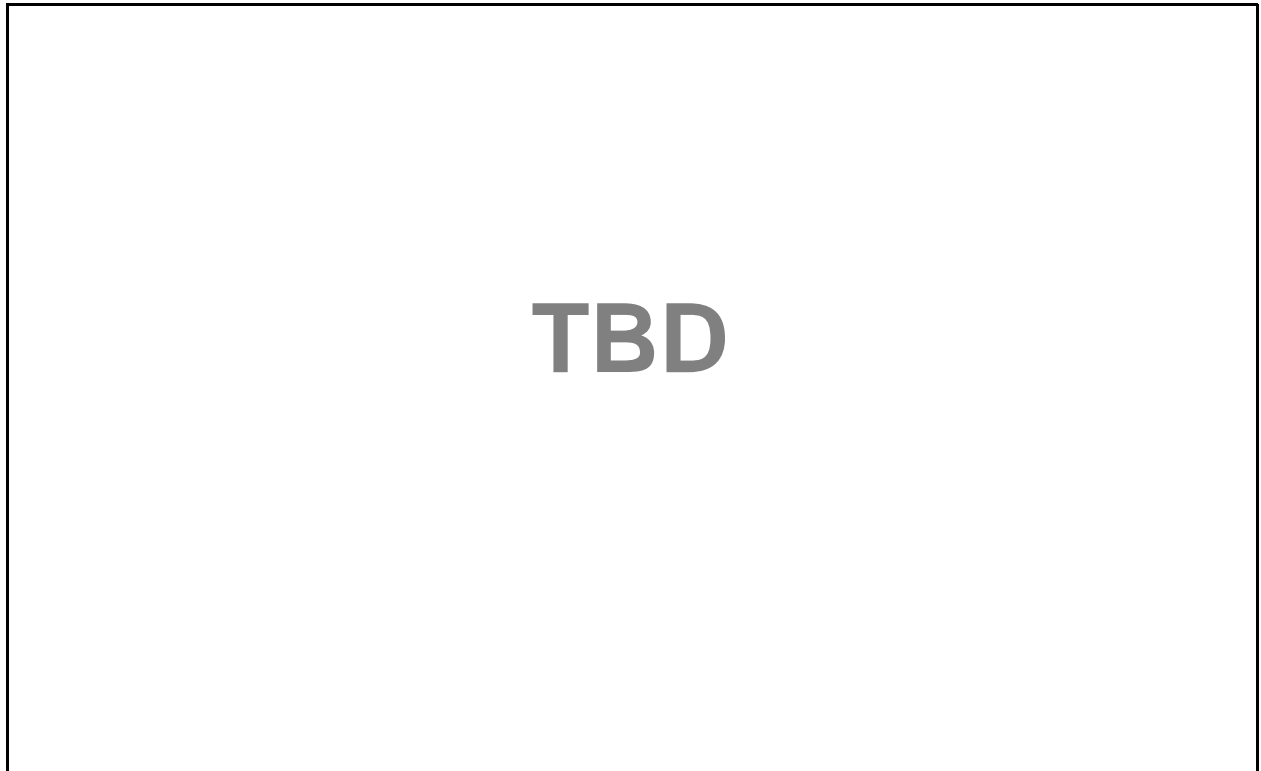


Figure 13. Deviation of DCO Output from Trimmed Frequency (50.33 MHz, 25°C)

### 3.10 AC Characteristics

This section describes timing characteristics for each peripheral system.

#### 3.10.1 Control Timing

Table 12. Control Timing

Num	C	Rating	Symbol	Min	Typ <sup>1</sup>	Max	Unit
1	D	Bus frequency ( $t_{cyc} = 1/f_{Bus}$ ) $V_{DD} \leq 2.1V$ $V_{DD} > 2.1V$	$f_{Bus}$	dc dc	— —	10 25.165	MHz
2	D	Internal low power oscillator period	$t_{LPO}$	700	—	1300	$\mu s$
3	D	External reset pulse width <sup>2</sup>	$t_{extrst}$	100	—	—	ns
4	D	Reset low drive	$t_{rstdrv}$	$34 \times t_{cyc}$	—	—	ns
5	D	BKGD/MS setup time after issuing background debug force reset to enter user or BDM modes	$t_{MSSU}$	500	—	—	ns
6	D	BKGD/MS hold time after issuing background debug force reset to enter user or BDM modes <sup>3</sup>	$t_{MSH}$	100	—	—	$\mu s$
7	D	IRQ pulse width Asynchronous path <sup>2</sup> Synchronous path <sup>4</sup>	$t_{ILIH}, t_{IHIL}$	100 $2 \times t_{cyc}$	— —	— —	ns

Electrical Characteristics

Table 12. Control Timing (continued)

Num	C	Rating	Symbol	Min	Typ <sup>1</sup>	Max	Unit
8	D	Keyboard interrupt pulse width Asynchronous path <sup>2</sup> Synchronous path <sup>4</sup>	$t_{ILIH}, t_{IHIL}$	100 $2 \times t_{cyc}$	— —	— —	ns
9	C	Port rise and fall time — Low output drive (PTxDS = 0) (load = 50 pF) <sup>5</sup> Slew rate control disabled (PTxSE = 0) Slew rate control enabled (PTxSE = 1)	$t_{Rise}, t_{Fall}$	— —	TBD TBD	— —	ns
		Port rise and fall time — High output drive (PTxDS = 1) (load = 50 pF) Slew rate control disabled (PTxSE = 0) Slew rate control enabled (PTxSE = 1)	$t_{Rise}, t_{Fall}$	— —	TBD TBD	— —	ns
10	C	Stop3 recovery time, from interrupt event to vector fetch	$t_{STPREC}$	—	6	10	$\mu s$

- <sup>1</sup> Typical values are based on characterization data at  $V_{DD} = 3.0V, 25^{\circ}C$  unless otherwise stated.
- <sup>2</sup> This is the shortest pulse that is guaranteed to be recognized as a reset or interrupt pin request. Shorter pulses are not guaranteed to override reset requests from internal sources.
- <sup>3</sup> To enter BDM mode following a POR, BKGD/MS should be held low during the power-up and for a hold time of  $t_{MSH}$  after  $V_{DD}$  rises above  $V_{LVD}$ .
- <sup>4</sup> This is the minimum assertion time in which the interrupt **may** be recognized. The correct protocol is to assert the interrupt request until it is explicitly negated by the interrupt service routine.
- <sup>5</sup> Timing is shown with respect to 20%  $V_{DD}$  and 80%  $V_{DD}$  levels. Temperature range  $-40^{\circ}C$  to  $85^{\circ}C$ .

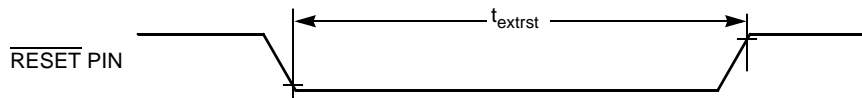


Figure 14. Reset Timing

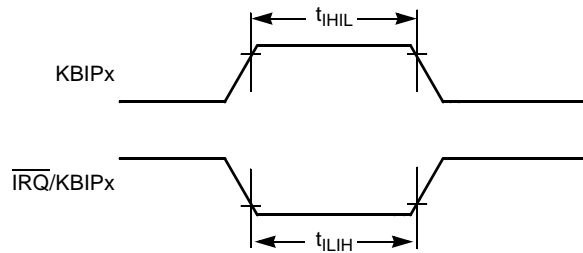


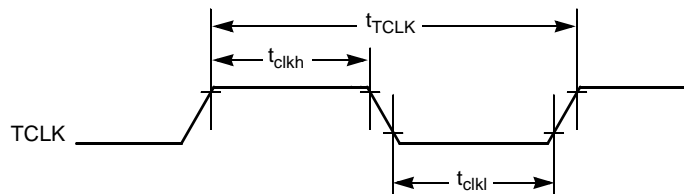
Figure 15.  $\overline{IRQ/KBIPx}$  Timing

### 3.10.2 TPM Module Timing

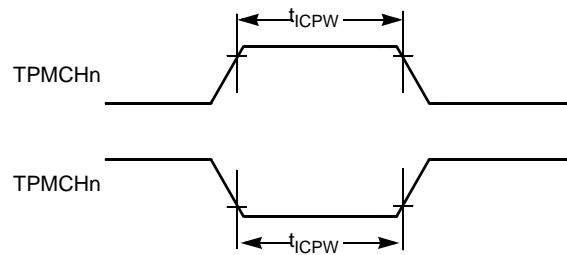
Synchronizer circuits determine the shortest input pulses that can be recognized or the fastest clock that can be used as the optional external source to the timer counter. These synchronizers operate from the current bus rate clock.

**Table 13. TPM Input Timing**

No.	C	Function	Symbol	Min	Max	Unit
1	D	External clock frequency	$f_{TCLK}$	0	$f_{Bus}/4$	Hz
2	D	External clock period	$t_{TCLK}$	4	—	$t_{cyc}$
3	D	External clock high time	$t_{clkh}$	1.5	—	$t_{cyc}$
4	D	External clock low time	$t_{clkl}$	1.5	—	$t_{cyc}$
5	D	Input capture pulse width	$t_{ICPW}$	1.5	—	$t_{cyc}$



**Figure 16. Timer External Clock**



**Figure 17. Timer Input Capture Pulse**

## Electrical Characteristics

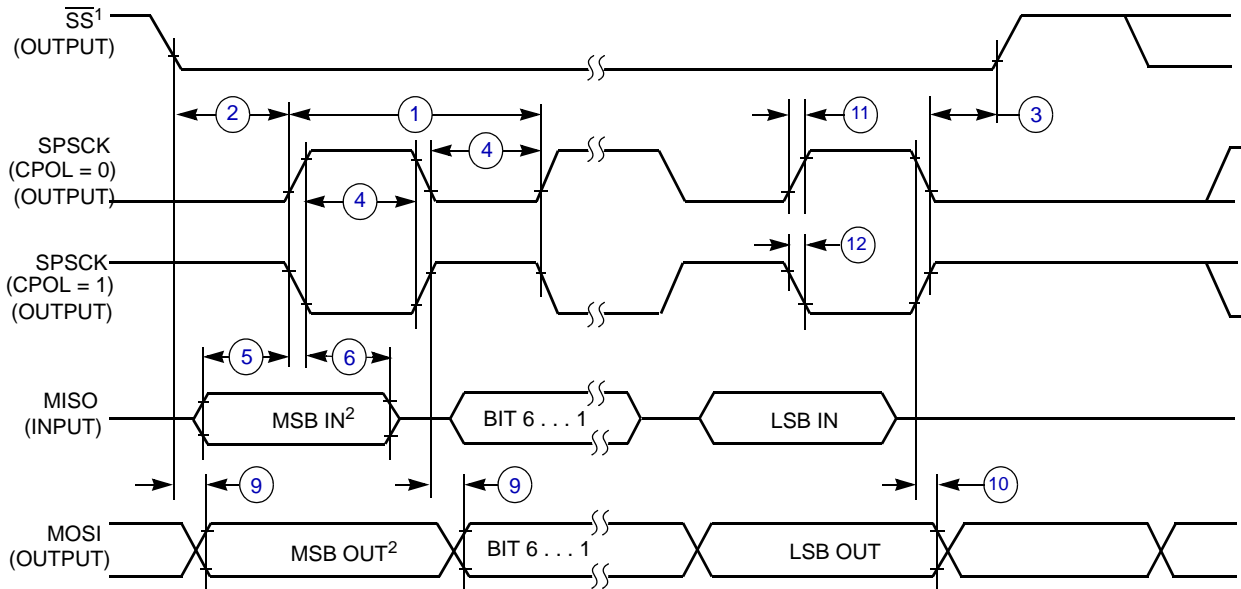
### 3.10.3 SPI Timing

Table 14 and Figure 18 through Figure 21 describe the timing requirements for the SPI system.

**Table 14. SPI Timing**

No.	C	Function	Symbol	Min	Max	Unit
—	D	Operating frequency Master Slave	$f_{op}$	$f_{Bus}/2048$ 0	$f_{Bus}/2$ $f_{Bus}/4$	Hz Hz
1	D	SPSCK period Master Slave	$t_{SPSCK}$	2 4	2048 —	$t_{cyc}$ $t_{cyc}$
2	D	Enable lead time Master Slave	$t_{Lead}$	1/2 1	— —	$t_{SPSCK}$ $t_{cyc}$
3	D	Enable lag time Master Slave	$t_{Lag}$	1/2 1	— —	$t_{SPSCK}$ $t_{cyc}$
4	D	Clock (SPSCK) high or low time Master Slave	$t_{WSPSCK}$	$t_{cyc} - 30$ $t_{cyc} - 30$	$1024 t_{cyc}$ —	ns ns
5	D	Data setup time (inputs) Master Slave	$t_{SU}$	15 15	— —	ns ns
6	D	Data hold time (inputs) Master Slave	$t_{HI}$	0 25	— —	ns ns
7	D	Slave access time	$t_a$	—	1	$t_{cyc}$
8	D	Slave MISO disable time	$t_{dis}$	—	1	$t_{cyc}$
9	D	Data valid (after SPSCK edge) Master Slave	$t_v$	— —	25 25	ns ns
10	D	Data hold time (outputs) Master Slave	$t_{HO}$	0 0	— —	ns ns
11	D	Rise time Input Output	$t_{RI}$ $t_{RO}$	— —	$t_{cyc} - 25$ 25	ns ns
12	D	Fall time Input Output	$t_{FI}$ $t_{FO}$	— —	$t_{cyc} - 25$ 25	ns ns

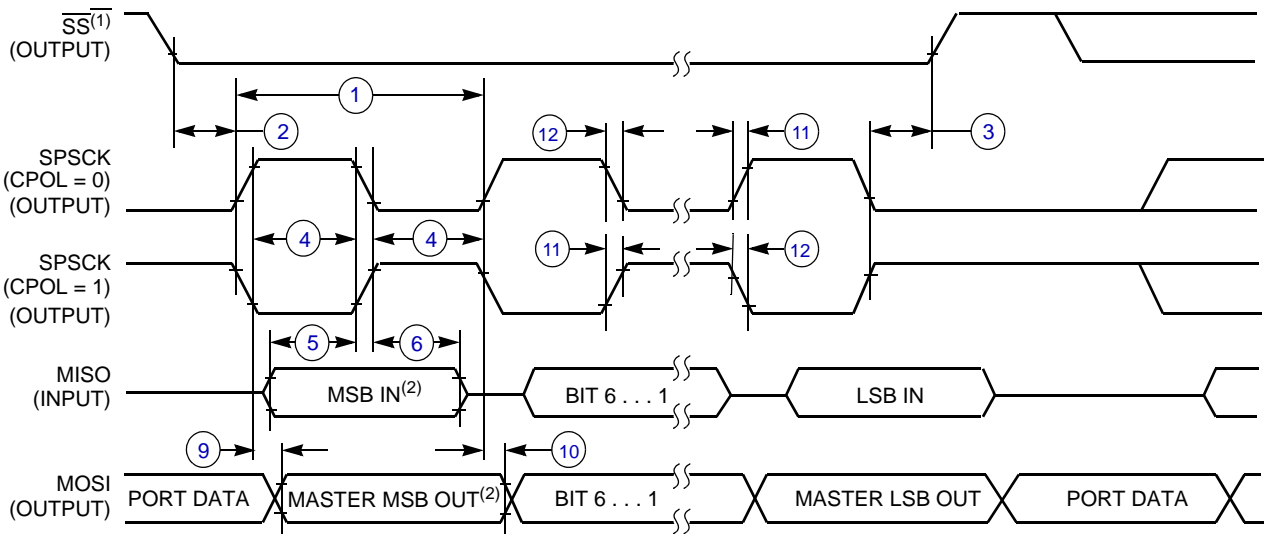




NOTES:

1.  $\overline{SS}$  output mode (DDS7 = 1, SSOE = 1).
2. LSBF = 0. For LSBF = 1, bit order is LSB, bit 1, ..., bit 6, MSB.

Figure 18. SPI Master Timing (CPHA = 0)

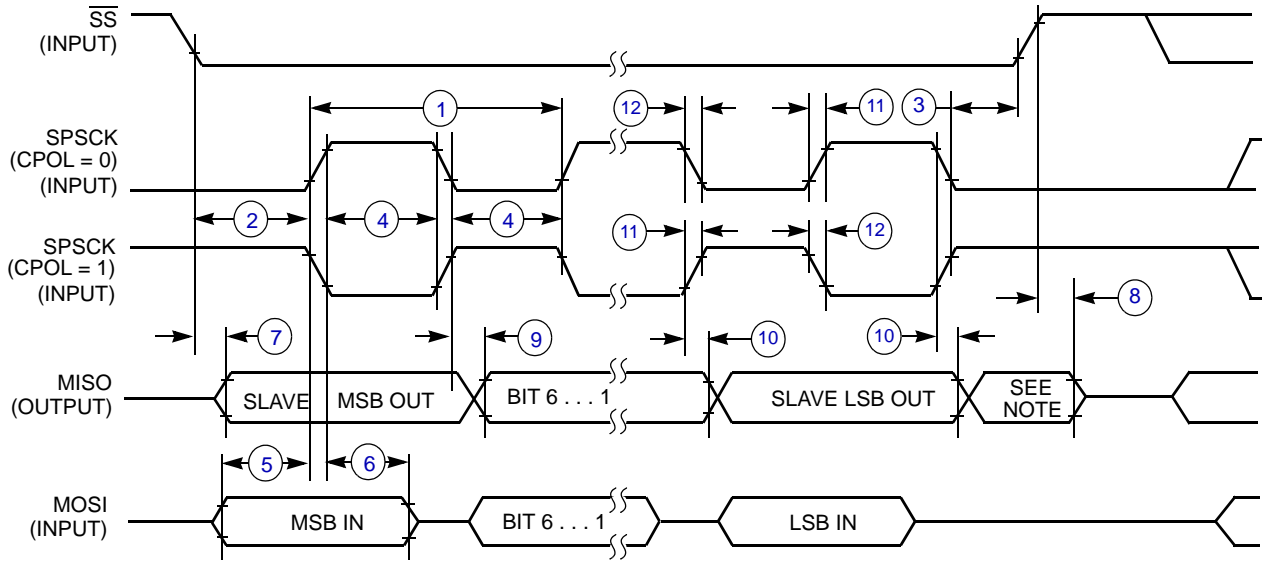


NOTES:

1.  $\overline{SS}$  output mode (DDS7 = 1, SSOE = 1).
2. LSBF = 0. For LSBF = 1, bit order is LSB, bit 1, ..., bit 6, MSB.

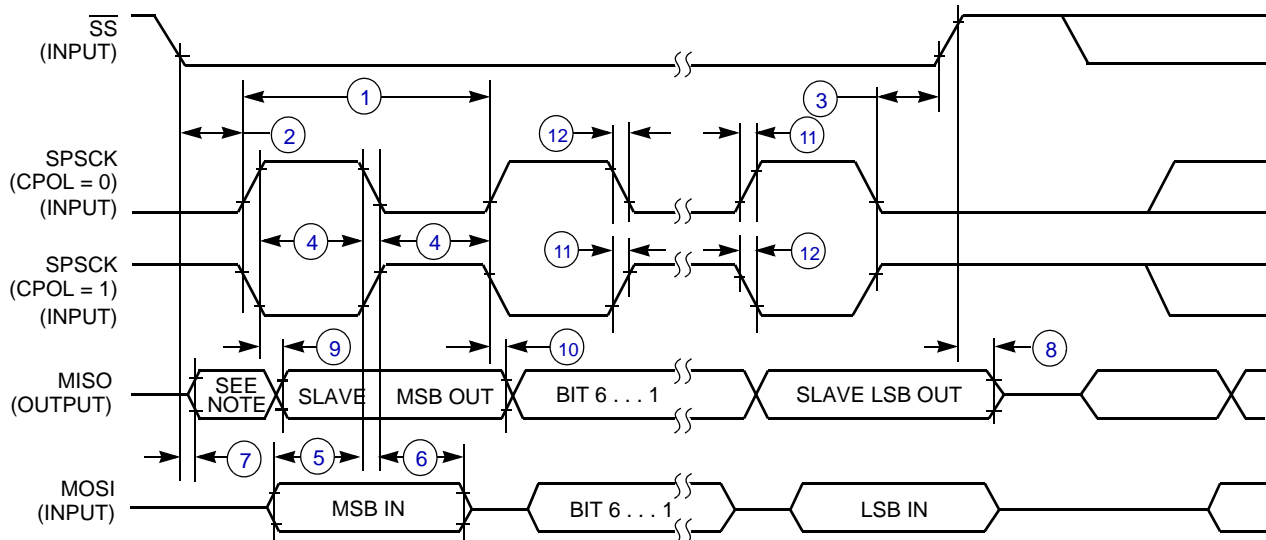
Figure 19. SPI Master Timing (CPHA = 1)

**Electrical Characteristics**



NOTE:  
1. Not defined but normally MSB of character just received

**Figure 20. SPI Slave Timing (CPHA = 0)**



NOTE:  
1. Not defined but normally LSB of character just received

**Figure 21. SPI Slave Timing (CPHA = 1)**

### 3.10.4 Analog Comparator (ACMP) Electricals

Table 15. Analog Comparator Electrical Specifications

C	Characteristic	Symbol	Min	Typical	Max	Unit
D	Supply voltage	$V_{DD}$	1.80	—	3.6	V
P	Supply current (active)	$I_{DDAC}$	—	20	35	$\mu\text{A}$
D	Analog input voltage	$V_{AIN}$	$V_{SS} - 0.3$	—	$V_{DD}$	V
P	Analog input offset voltage	$V_{AIO}$	—	20	40	mV
C	Analog comparator hysteresis	$V_H$	3.0	9.0	15.0	mV
P	Analog input leakage current	$I_{ALKG}$	—	—	1.0	$\mu\text{A}$
C	Analog comparator initialization delay	$t_{AINIT}$	—	—	1.0	$\mu\text{s}$

### 3.10.5 ADC Characteristics

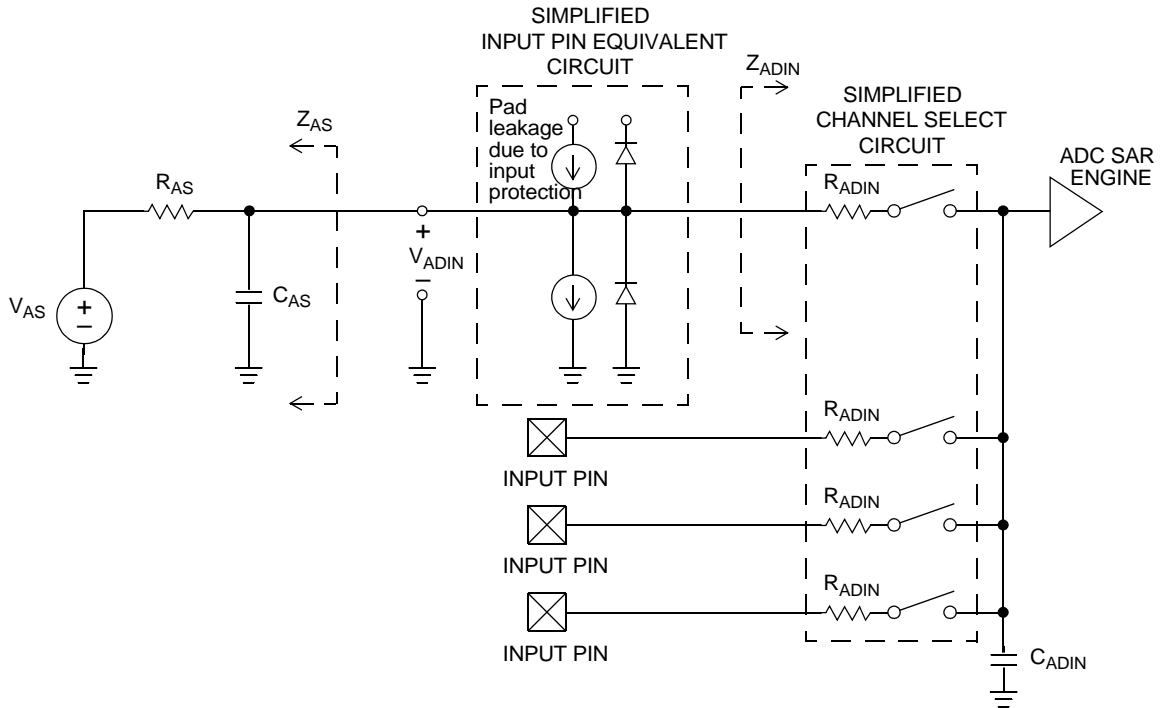
Table 16. 12-bit ADC Operating Conditions

C	Characteristic	Conditions	Symb	Min	Typ <sup>1</sup>	Max	Unit	Comment
D	Supply voltage	Absolute	$V_{DDAD}$	1.8	—	3.6	V	
		Delta to $V_{DD}$ ( $V_{DD} - V_{DDAD}$ ) <sup>2</sup>	$\Delta V_{DDAD}$	-100	0	+100	mV	
D	Ground voltage	Delta to $V_{SS}$ ( $V_{SS} - V_{SSAD}$ ) <sup>2</sup>	$\Delta V_{SSAD}$	-100	0	+100	mV	
D	Ref Voltage High		$V_{REFH}$	1.8	$V_{DDAD}$	$V_{DDAD}$	V	
D	Ref Voltage Low		$V_{REFL}$	$V_{SSAD}$	$V_{SSAD}$	$V_{SSAD}$	V	
D	Input Voltage		$V_{ADIN}$	$V_{REFL}$	—	$V_{REFH}$	V	
C	Input Capacitance		$C_{ADIN}$	—	4.5	5.5	pF	
C	Input Resistance		$R_{ADIN}$	—	5	7	k $\Omega$	
C	Analog Source Resistance	12 bit mode $f_{ADCK} > 4\text{MHz}$ $f_{ADCK} < 4\text{MHz}$	$R_{AS}$	—	—	2	k $\Omega$	External to MCU
		10 bit mode $f_{ADCK} > 4\text{MHz}$ $f_{ADCK} < 4\text{MHz}$		—	—	5		
		8 bit mode (all valid $f_{ADCK}$ )		—	—	10		
D	ADC Conversion Clock Freq.	High Speed (ADLPC=0)	$f_{ADCK}$	0.4	—	8.0	MHz	
		Low Power (ADLPC=1)		0.4	—	4.0		

<sup>1</sup> Typical values assume  $V_{DDAD} = 3.0\text{V}$ , Temp = 25°C,  $f_{ADCK} = 1.0\text{MHz}$  unless otherwise stated. Typical values are for reference only and are not tested in production.

<sup>2</sup> DC potential difference.

**Electrical Characteristics**



**Figure 22. ADC Input Impedance Equivalency Diagram**

**Table 17. 12-bit ADC Characteristics ( $V_{REFH} = V_{DDAD}$ ,  $V_{REFL} = V_{SSAD}$ )**

Characteristic	Conditions	C	Symb	Min	Typ <sup>1</sup>	Max	Unit	Comment
Supply Current ADLPC=1 ADLSMP=1 ADCO=1		T	$I_{DDAD}$	—	120	—	$\mu\text{A}$	
Supply Current ADLPC=1 ADLSMP=0 ADCO=1		T	$I_{DDAD}$	—	202	—	$\mu\text{A}$	
Supply Current ADLPC=0 ADLSMP=1 ADCO=1		T	$I_{DDAD}$	—	288	—	$\mu\text{A}$	
Supply Current ADLPC=0 ADLSMP=0 ADCO=1		P	$I_{DDAD}$	—	0.532	1	mA	
Supply Current	Stop, Reset, Module Off		$I_{DDAD}$	—	0.007	0.8	$\mu\text{A}$	
ADC Asynchronous Clock Source	High Speed (ADLPC=0)	P	$f_{ADACK}$	2	3.3	5	MHz	$t_{ADACK} = 1/f_{ADACK}$
	Low Power (ADLPC=1)	C		1.25	2	3.3		

Table 17. 12-bit ADC Characteristics ( $V_{REFH} = V_{DDAD}$ ,  $V_{REFL} = V_{SSAD}$ ) (continued)

Characteristic	Conditions	C	Symb	Min	Typ <sup>1</sup>	Max	Unit	Comment	
Conversion Time (Including sample time)	Short Sample (ADLSMP=0)	P	$t_{ADC}$	—	20	—	ADCK cycles	See the ADC chapter in the <i>MCF51QE128 Reference Manual</i> for conversion time variances	
	Long Sample (ADLSMP=1)	C		—	40	—			
Sample Time	Short Sample (ADLSMP=0)	P	$t_{ADS}$	—	3.5	—	ADCK cycles		
	Long Sample (ADLSMP=1)	C		—	23.5	—			
Total Unadjusted Error	12 bit mode	T	$E_{TUE}$	—	$\pm 3.0$	—	LSB <sup>2</sup>		Includes Quantization
	10 bit mode	P		—	$\pm 1$	$\pm 2.5$			
	8 bit mode	T		—	$\pm 0.5$	$\pm 1.0$			
Differential Non-Linearity	12 bit mode	T	DNL	—	$\pm 1.75$	—	LSB <sup>2</sup>		
	10 bit mode <sup>3</sup>	P		—	$\pm 0.5$	$\pm 1.0$			
	8 bit mode <sup>3</sup>	T		—	$\pm 0.3$	$\pm 0.5$			
Integral Non-Linearity	12 bit mode	T	INL	—	$\pm 1.5$	—	LSB <sup>2</sup>		
	10 bit mode	P		—	$\pm 0.5$	$\pm 1.0$			
	8 bit mode	T		—	$\pm 0.3$	$\pm 0.5$			
Zero-Scale Error	12 bit mode	T	$E_{ZS}$	—	$\pm 1.5$	—	LSB <sup>2</sup>	$V_{ADIN} = V_{SSAD}$	
	10 bit mode	P		—	$\pm 0.5$	$\pm 1.5$			
	8 bit mode	T		—	$\pm 0.5$	$\pm 0.5$			
Full-Scale Error	12 bit mode	T	$E_{FS}$	—	$\pm 1.0$	—	LSB <sup>2</sup>	$V_{ADIN} = V_{DDAD}$	
	10 bit mode	P		—	$\pm 0.5$	$\pm 1$			
	8 bit mode	T		—	$\pm 0.5$	$\pm 0.5$			
Quantization Error	12 bit mode	D	$E_Q$	—	-1 to 0	—	LSB <sup>2</sup>		
	10 bit mode			—	—	$\pm 0.5$			
	8 bit mode			—	—	$\pm 0.5$			
Input Leakage Error	12 bit mode	D	$E_{IL}$	—	$\pm 2$	—	LSB <sup>2</sup>	Pad leakage <sup>4</sup> * $R_{AS}$	
	10 bit mode			—	$\pm 0.2$	$\pm 4$			
	8 bit mode			—	$\pm 0.1$	$\pm 1.2$			
Temp Sensor Slope	-40°C to 25°C	D	m	—	1.646	—	mV/°C		
	25°C to 85°C			—	1.769	—			
Temp Sensor Voltage	25°C	D	$V_{TEMP25}$	—	701.2	—	mV		

<sup>1</sup> Typical values assume  $V_{DDAD} = 3.0V$ , Temp = 25°C,  $f_{ADCK} = 1.0MHz$  unless otherwise stated. Typical values are for reference only and are not tested in production.

<sup>2</sup>  $1 \text{ LSB} = (V_{REFH} - V_{REFL})/2^N$

<sup>3</sup> Monotonicity and No-Missing-Codes guaranteed in 10 bit and 8 bit modes

<sup>4</sup> Based on input pad leakage current. Refer to pad electricals.

## Electrical Characteristics

### 3.10.6 Flash Specifications

This section provides details about program/erase times and program-erase endurance for the flash memory.

Program and erase operations do not require any special power sources other than the normal  $V_{DD}$  supply. For more detailed information about program/erase operations, see the Memory section of the *MCF51QE128 Reference Manual*.

**Table 18. Flash Characteristics**

C	Characteristic	Symbol	Min	Typical	Max	Unit
D	Supply voltage for program/erase -40°C to 85°C	$V_{\text{prog/erase}}$	1.8		3.6	V
D	Supply voltage for read operation	$V_{\text{Read}}$	1.8		3.6	V
D	Internal FCLK frequency <sup>1</sup>	$f_{\text{FCLK}}$	150		200	kHz
D	Internal FCLK period (1/FCLK)	$t_{\text{FcyC}}$	5		6.67	μs
P	Longword program time (random location) <sup>(2)</sup>	$t_{\text{prog}}$		9		$t_{\text{FcyC}}$
P	Longword program time (burst mode) <sup>(2)</sup>	$t_{\text{Burst}}$		4		$t_{\text{FcyC}}$
P	Page erase time <sup>2</sup>	$t_{\text{Page}}$		4000		$t_{\text{FcyC}}$
P	Mass erase time <sup>(2)</sup>	$t_{\text{Mass}}$		20,000		$t_{\text{FcyC}}$
	Longword program current <sup>3</sup>	$R_{\text{IDDBP}}$	—	9.7	—	mA
	Page erase current <sup>3</sup>	$R_{\text{IDDPPE}}$	—	7.6	—	mA
C	Program/erase endurance <sup>4</sup> $T_L$ to $T_H$ = -40°C to + 85°C $T = 25^\circ\text{C}$		10,000 —	— 100,000	— —	cycles
C	Data retention <sup>5</sup>	$t_{\text{D\_ret}}$	15	100	—	years

<sup>1</sup> The frequency of this clock is controlled by a software setting.

<sup>2</sup> These values are hardware state machine controlled. User code does not need to count cycles. This information supplied for calculating approximate time to program and erase.

<sup>3</sup> The program and erase currents are additional to the standard run  $I_{DD}$ . These values are measured at room temperatures with  $V_{DD} = 3.0$  V, bus frequency = 4.0 MHz.

<sup>4</sup> **Typical endurance for flash** was evaluated for this product family on the HC9S12Dx64. For additional information on how Freescale defines typical endurance, please refer to Engineering Bulletin EB619, *Typical Endurance for Nonvolatile Memory*.

<sup>5</sup> **Typical data retention** values are based on intrinsic capability of the technology measured at high temperature and de-rated to 25°C using the Arrhenius equation. For additional information on how Freescale defines typical data retention, please refer to Engineering Bulletin EB618, *Typical Data Retention for Nonvolatile Memory*.

### 3.11 EMC Performance

Electromagnetic compatibility (EMC) performance is highly dependent on the environment in which the MCU resides. Board design and layout, circuit topology choices, location and characteristics of external components as well as MCU software operation all play a significant role in EMC performance. The system designer should consult Freescale applications notes such as AN2321, AN1050, AN1263, AN2764, and AN1259 for advice and guidance specifically targeted at optimizing EMC performance.

### 3.11.1 Radiated Emissions

Microcontroller radiated RF emissions are measured from 150 kHz to 1 GHz using the TEM/GTEM Cell method in accordance with the IEC 61967-2 and SAE J1752/3 standards. The measurement is performed with the microcontroller installed on a custom EMC evaluation board while running specialized EMC test software. The radiated emissions from the microcontroller are measured in a TEM cell in two package orientations (North and East).

The maximum radiated RF emissions of the tested configuration in all orientations are less than or equal to the reported emissions levels.

**Table 19. Radiated Emissions, Electric Field**

Parameter	Symbol	Conditions	Frequency	$f_{OSC}/f_{BUS}$	Level <sup>1</sup> (Max)	Unit
Radiated emissions, electric field	$V_{RE\_TEM}$	$V_{DD} = \text{TBD}$ $T_A = +25^\circ\text{C}$ package type TBD	0.15 – 50 MHz	TBD crystal TBD bus	TBD	dB $\mu$ V
			50 – 150 MHz		TBD	
			150 – 500 MHz		TBD	
			500 – 1000 MHz		TBD	
			IEC Level		TBD	—
			SAE Level		TBD	—

<sup>1</sup> Data based on qualification test results.

### 3.11.2 Conducted Transient Susceptibility

Microcontroller transient conducted susceptibility is measured in accordance with an internal Freescale test method. The measurement is performed with the microcontroller installed on a custom EMC evaluation board and running specialized EMC test software designed in compliance with the test method. The conducted susceptibility is determined by injecting the transient susceptibility signal on each pin of the microcontroller. The transient waveform and injection methodology is based on IEC 61000-4-4 (EFT/B). The transient voltage required to cause performance degradation on any pin in the tested configuration is greater than or equal to the reported levels unless otherwise indicated by footnotes below [Table 20](#).

**Table 20. Conducted Susceptibility, EFT/B**

Parameter	Symbol	Conditions	$f_{OSC}/f_{BUS}$	Result	Amplitude <sup>1</sup> (Min)	Unit
Conducted susceptibility, electrical fast transient/burst (EFT/B)	$V_{CS\_EFT}$	$V_{DD} = \text{TBD}$ $T_A = +25^\circ\text{C}$ package type TBD	TBD crystal TBD bus	A	TBD	kV
				B	TBD	
				C	TBD	
				D	TBD	

<sup>1</sup> Data based on qualification test results. Not tested in production.

## Ordering Information

The susceptibility performance classification is described in [Table 21](#).

**Table 21. Susceptibility Performance Classification**

Result	Performance Criteria	
A	No failure	The MCU performs as designed during and after exposure.
B	Self-recovering failure	The MCU does not perform as designed during exposure. The MCU returns automatically to normal operation after exposure is removed.
C	Soft failure	The MCU does not perform as designed during exposure. The MCU does not return to normal operation until exposure is removed and the RESET pin is asserted.
D	Hard failure	The MCU does not perform as designed during exposure. The MCU does not return to normal operation until exposure is removed and the power to the MCU is cycled.
E	Damage	The MCU does not perform as designed during and after exposure. The MCU cannot be returned to proper operation due to physical damage or other permanent performance degradation.

## 4 Ordering Information

This section contains ordering information for MCF51QE128 and MCF51QE64 devices.

**Table 22. Ordering Information**

Freescale Part Number <sup>1</sup>	Memory		Package <sup>2</sup>
	Flash	RAM	
MCF51QE128CLK	128K	8K	80 LQFP
MCF51QE128CLH			64 LQFP
MCF51QE64CLH	64K	4K	64 LQFP

<sup>1</sup> See the reference manual, *MCF51QE128RM*, for a complete description of modules included on each device.

<sup>2</sup> See [Table 23](#) for package information.

## 5 Package Information

The below table details the various packages available.

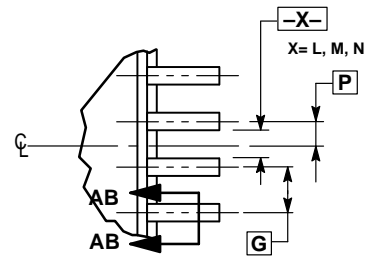
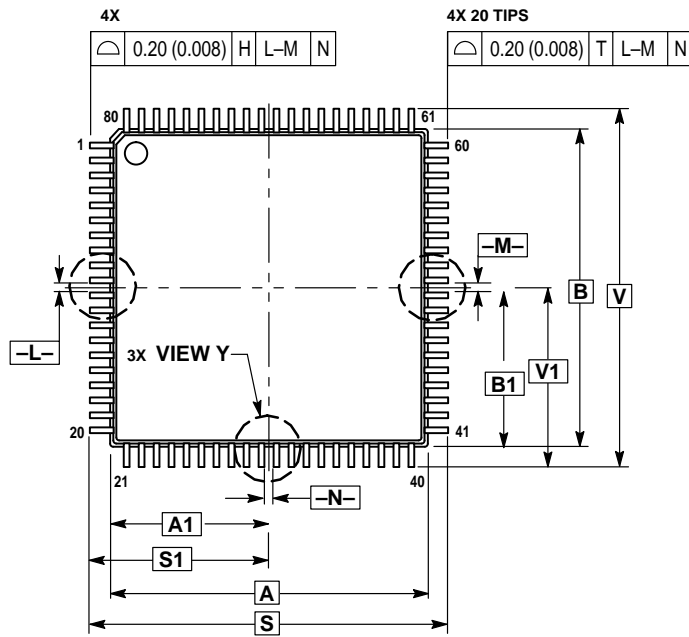
**Table 23. Package Descriptions**

Pin Count	Package Type	Abbreviation	Designator	Case No.	Document No.
80	Low Quad Flat Package	LQFP	LK	917A	98ASS23237W
64	Low Quad Flat Package	LQFP	LH	840F	98ASS23234W

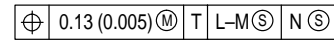
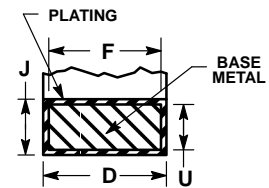
### 5.1 Mechanical Drawings

The following pages are mechanical drawings for the packages described in [Table 23](#). For the latest available drawings please visit our web site (<http://www.freescale.com>) and enter the package's document number into the keyword search box.





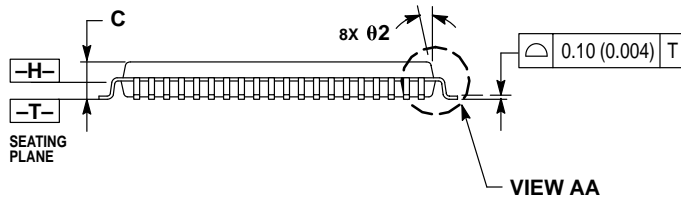
VIEW Y



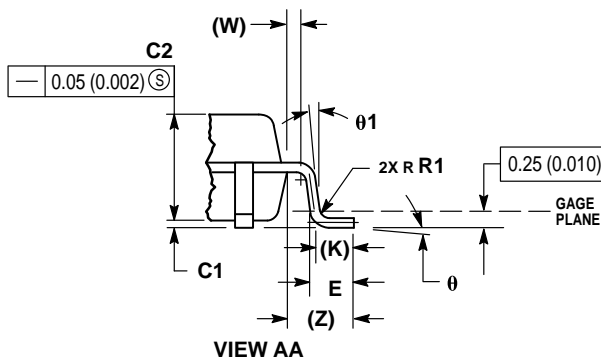
SECTION AB-AB  
ROTATED 90° CLOCKWISE

NOTES:

- DIMENSIONING AND TOLERANCING PER ANSI Y14.5M, 1982.
- CONTROLLING DIMENSION: MILLIMETER.
- DATUM PLANE -H- IS LOCATED AT BOTTOM OF LEAD AND IS COINCIDENT WITH THE LEAD WHERE THE LEAD EXITS THE PLASTIC BODY AT THE BOTTOM OF THE PARTING LINE.
- DATUMS -L-, -M- AND -N- TO BE DETERMINED AT DATUM PLANE -H-.
- DIMENSIONS S AND V TO BE DETERMINED AT SEATING PLANE -T-.
- DIMENSIONS A AND B DO NOT INCLUDE MOLD PROTRUSION. ALLOWABLE PROTRUSION IS 0.250 (0.010) PER SIDE. DIMENSIONS A AND B DO INCLUDE MOLD MISMATCH AND ARE DETERMINED AT DATUM PLANE -H-.
- DIMENSION D DOES NOT INCLUDE DAMBAR PROTRUSION. DAMBAR PROTRUSION SHALL NOT CAUSE THE LEAD WIDTH TO EXCEED 0.460 (0.018). MINIMUM SPACE BETWEEN PROTRUSION AND ADJACENT LEAD OR PROTRUSION 0.07 (0.003).



VIEW AA



VIEW AA

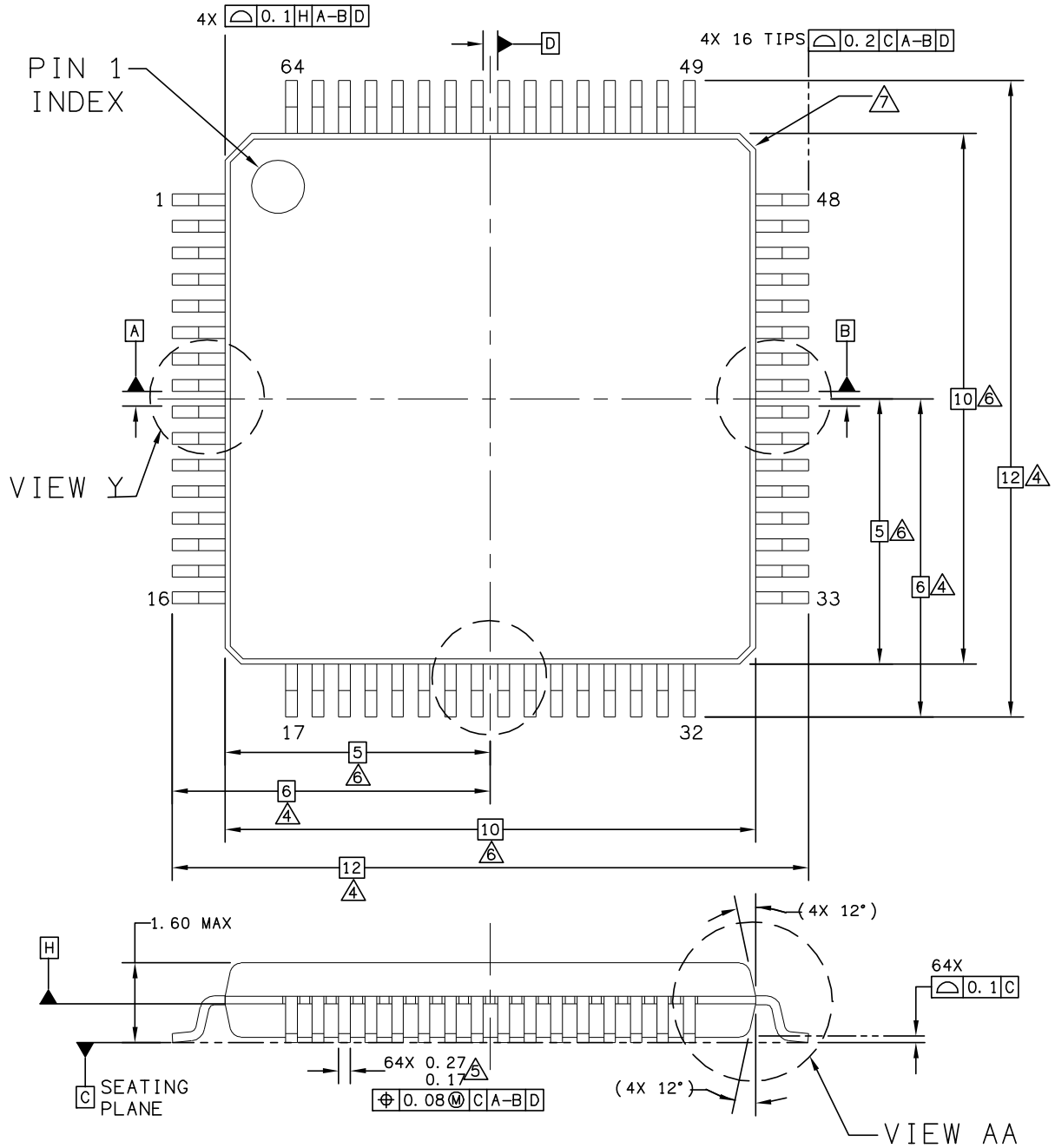
DIM	MILLIMETERS		INCHES	
	MIN	MAX	MIN	MAX
A	14.00	BSC	0.551	BSC
A1	7.00	BSC	0.276	BSC
B	14.00	BSC	0.551	BSC
B1	7.00	BSC	0.276	BSC
C	—	1.60	—	0.063
C1	0.04	0.24	0.002	0.009
C2	1.30	1.50	0.051	0.059
D	0.22	0.38	0.009	0.015
E	0.40	0.75	0.016	0.030
F	0.17	0.33	0.007	0.013
G	0.65	BSC	0.026	BSC
J	0.09	0.27	0.004	0.011
K	0.50	REF	0.020	REF
P	0.325	BSC	0.013	REF
R1	0.10	0.20	0.004	0.008
S	16.00	BSC	0.630	BSC
S1	8.00	BSC	0.315	BSC
U	0.09	0.16	0.004	0.006
V	16.00	BSC	0.630	BSC
V1	8.00	BSC	0.315	BSC
W	0.20	REF	0.008	REF
Z	1.00	REF	0.039	REF
Ø	0°	10°	0°	10°
Ø1	0°	—	0°	—
Ø2	9°	14°	9°	14°

DATE 09/21/95

CASE 917A-02  
ISSUE C

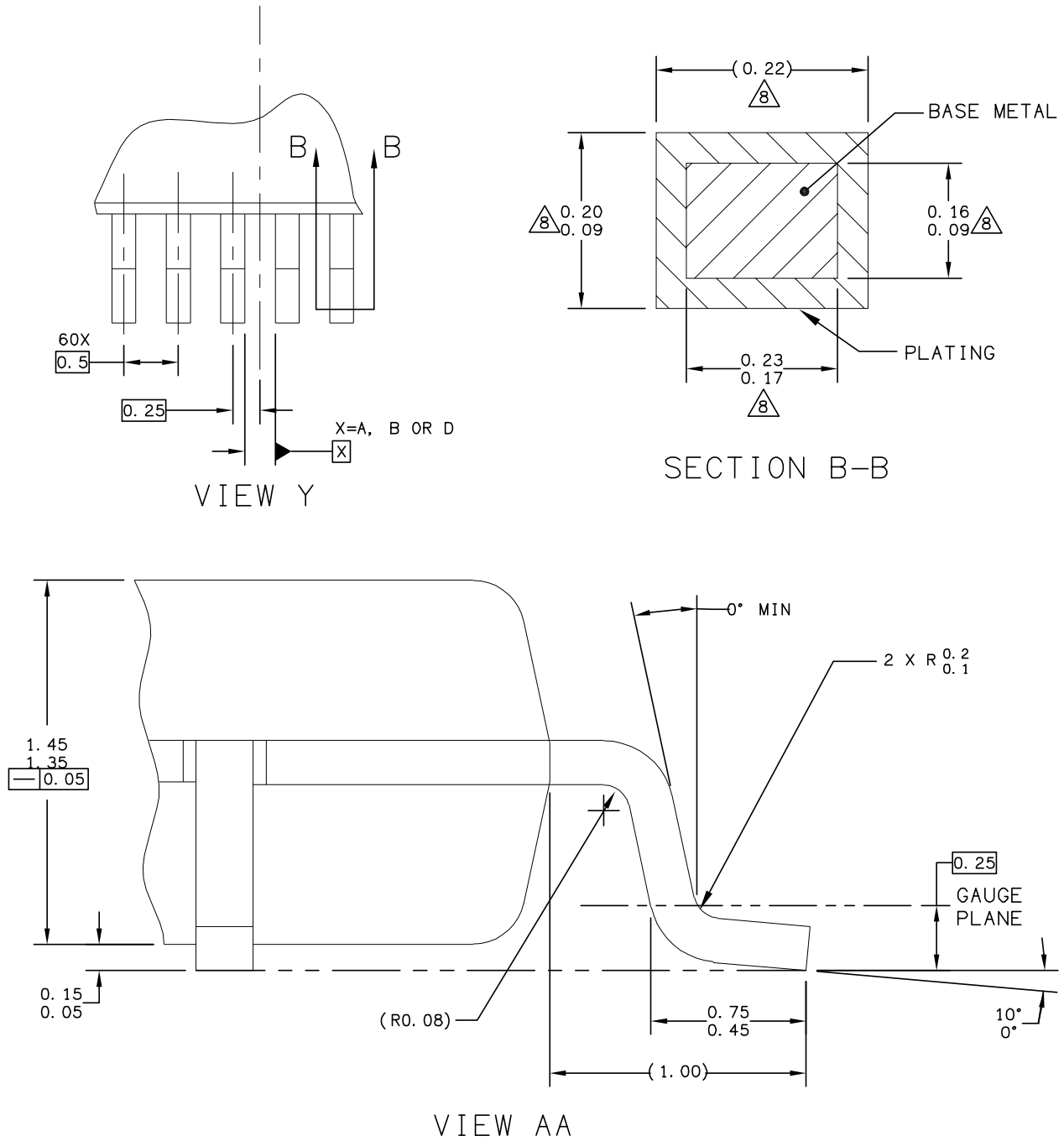
Figure 23. 80-pin LQFP Package Drawing (Case 917A, Doc #98ASS23237W)

Package Information



© FREESCALE SEMICONDUCTOR, INC. ALL RIGHTS RESERVED.	MECHANICAL OUTLINE	PRINT VERSION NOT TO SCALE	
TITLE: 64LD LQFP, 10 X 10 X 1.4 PKG, 0.5 PITCH, CASE OUTLINE	DOCUMENT NO: 98ASS23234W	REV: D	
	CASE NUMBER: 840F-02	06 APR 2005	
	STANDARD: JEDEC MS-026 BCD		

Figure 24. 64-pin LQFP Package Drawing (Case 840F, Doc #98ASS23234W), Sheet 1 of 3



© FREESCALE SEMICONDUCTOR, INC. ALL RIGHTS RESERVED.		MECHANICAL OUTLINE	PRINT VERSION NOT TO SCALE
TITLE: 64LD LQFP, 10 X 10 X 1.4 PKG, 0.5 PITCH, CASE OUTLINE		DOCUMENT NO: 98ASS23234W	REV: D
		CASE NUMBER: 840F-02	06 APR 2005
STANDARD: JEDEC MS-026 BCD			

Figure 25. 64-pin LQFP Package Drawing (Case 840F, Doc #98ASS23234W), Sheet 2 of 3

## Package Information

NOTES:

1. DIMENSIONS ARE IN MILLIMETERS.
2. DIMENSIONING AND TOLERANCING PER ASME Y14.5M-1994.
3. DATUMS A, B AND D TO BE DETERMINED AT DATUM PLANE H.
4. DIMENSIONS TO BE DETERMINED AT SEATING PLANE C.
5. THIS DIMENSION DOES NOT INCLUDE DAMBAR PROTRUSION. ALLOWABLE DAMBAR PROTRUSION SHALL NOT CAUSE THE LEAD WIDTH TO EXCEED THE UPPER LIMIT BY MORE THAN 0.08 mm AT MAXIMUM MATERIAL CONDITION. DAMBAR CANNOT BE LOCATED ON THE LOWER RADIUS OR THE FOOT. MINIMUM SPACE BETWEEN PROTRUSION AND ADJACENT LEAD SHALL NOT BE LESS THAN 0.07 mm.
6. THIS DIMENSION DOES NOT INCLUDE MOLD PROTRUSION. ALLOWABLE PROTRUSION IS 0.25 mm PER SIDE. THIS DIMENSION IS MAXIMUM PLASTIC BODY SIZE DIMENSION INCLUDING MOLD MISMATCH.
7. EXACT SHAPE OF EACH CORNER IS OPTIONAL.
8. THESE DIMENSIONS APPLY TO THE FLAT SECTION OF THE LEAD BETWEEN 0.1 mm AND 0.25 mm FROM THE LEAD TIP.

© FREESCALE SEMICONDUCTOR, INC. ALL RIGHTS RESERVED.	MECHANICAL OUTLINE	PRINT VERSION NOT TO SCALE	
TITLE: 64LD LQFP, 10 X 10 X 1.4 PKG, 0.5 PITCH, CASE OUTLINE	DOCUMENT NO: 98ASS23234W	REV: D	
	CASE NUMBER: 840F-02	06 APR 2005	
	STANDARD: JEDEC MS-026 BCD		

**Figure 26. 64-pin LQFP Package Drawing (Case 840F, Doc #98ASS23234W), Sheet 3 of 3**

## 6 Product Documentation

Find the most current versions of all documents at: <http://www.freescale.com>

### Reference Manual (MCF51QE128RM)

Contains extensive product information including modes of operation, memory, resets and interrupts, register definition, port pins, CPU, and all module information.

## 7 Revision History

To provide the most up-to-date information, the revision of our documents on the World Wide Web are the most current. Your printed copy may be an earlier revision. To verify you have the latest information available, refer to:

<http://www.freescale.com>

The following revision history table summarizes changes contained in this document.

**Table 24. Revision History**

Revision	Date	Description of Changes
2	22 May 2007	Initial Advance Information release.
3	25 Jun 2007	<p><a href="#">Table 8</a>: Changed Condition entires in specs #6 (<math>V_{IH}</math>) and #7 (<math>V_{IL}</math>) from <math>V_{DD} \geq 1.8V</math> to <math>V_{DD} &gt; 2.7V</math> and <math>V_{DD} \leq 1.8V</math> to <math>V_{DD} &gt; 1.8V</math>.</p> <p><a href="#">Table 8</a>: Changed <math>V_{DD}</math> rising and <math>V_{DD}</math> falling min/typ/max specs in row #19 (Low-voltage warning threshold—high range) from 2.35, 2.40, and 2.50 to 2.36, 2.46, and 2.56 respectively.</p>

## How to Reach Us:

### Home Page:

[www.freescale.com](http://www.freescale.com)

### E-mail:

[support@freescale.com](mailto:support@freescale.com)

### USA/Europe or Locations Not Listed:

Freescale Semiconductor  
Technical Information Center, CH370  
1300 N. Alma School Road  
Chandler, Arizona 85224  
+1-800-521-6274 or +1-480-768-2130  
[support@freescale.com](mailto:support@freescale.com)

### Europe, Middle East, and Africa:

Freescale Halbleiter Deutschland GmbH  
Technical Information Center  
Schatzbogen 7  
81829 Muenchen, Germany  
+44 1296 380 456 (English)  
+46 8 52200080 (English)  
+49 89 92103 559 (German)  
+33 1 69 35 48 48 (French)  
[support@freescale.com](mailto:support@freescale.com)

### Japan:

Freescale Semiconductor Japan Ltd.  
Headquarters  
ARCO Tower 15F  
1-8-1, Shimo-Meguro, Meguro-ku,  
Tokyo 153-0064  
Japan  
0120 191014 or +81 3 5437 9125  
[support.japan@freescale.com](mailto:support.japan@freescale.com)

### Asia/Pacific:

Freescale Semiconductor Hong Kong Ltd.  
Technical Information Center  
2 Dai King Street  
Tai Po Industrial Estate  
Tai Po, N.T., Hong Kong  
+800 2666 8080  
[support.asia@freescale.com](mailto:support.asia@freescale.com)

### For Literature Requests Only:

Freescale Semiconductor Literature Distribution Center  
P.O. Box 5405  
Denver, Colorado 80217  
1-800-441-2447 or 303-675-2140  
Fax: 303-675-2150  
[LDCForFreescaleSemiconductor@hibbertgroup.com](mailto:LDCForFreescaleSemiconductor@hibbertgroup.com)

Document Number: MCF51QE128

Rev. 3

06/2007

Information in this document is provided solely to enable system and software implementers to use Freescale Semiconductor products. There are no express or implied copyright licenses granted hereunder to design or fabricate any integrated circuits or integrated circuits based on the information in this document.

Freescale Semiconductor reserves the right to make changes without further notice to any products herein. Freescale Semiconductor makes no warranty, representation or guarantee regarding the suitability of its products for any particular purpose, nor does Freescale Semiconductor assume any liability arising out of the application or use of any product or circuit, and specifically disclaims any and all liability, including without limitation consequential or incidental damages. "Typical" parameters that may be provided in Freescale Semiconductor data sheets and/or specifications can and do vary in different applications and actual performance may vary over time. All operating parameters, including "Typicals", must be validated for each customer application by customer's technical experts. Freescale Semiconductor does not convey any license under its patent rights nor the rights of others. Freescale Semiconductor products are not designed, intended, or authorized for use as components in systems intended for surgical implant into the body, or other applications intended to support or sustain life, or for any other application in which the failure of the Freescale Semiconductor product could create a situation where personal injury or death may occur. Should Buyer purchase or use Freescale Semiconductor products for any such unintended or unauthorized application, Buyer shall indemnify and hold Freescale Semiconductor and its officers, employees, subsidiaries, affiliates, and distributors harmless against all claims, costs, damages, and expenses, and reasonable attorney fees arising out of, directly or indirectly, any claim of personal injury or death associated with such unintended or unauthorized use, even if such claim alleges that Freescale Semiconductor was negligent regarding the design or manufacture of the part.

RoHS-compliant and/or Pb-free versions of Freescale products have the functionality and electrical characteristics as their non-RoHS-compliant and/or non-Pb-free counterparts. For further information, see <http://www.freescale.com> or contact your Freescale sales representative.

For information on Freescale's Environmental Products program, go to <http://www.freescale.com/epp>.

Freescale™ and the Freescale logo are trademarks of Freescale Semiconductor, Inc. All other product or service names are the property of their respective owners.

© Freescale Semiconductor, Inc. 2007. All rights reserved.

