

FPAM50LH60

Smart Power Module for 2-phase Interleaved PFC

Features

- Single phase rectifier for AC input
- 2-phase interleaved PFC
- Control IC for gate driving and protection
- Built-in NTC thermistor for monitoring over-temperature
- Low thermal resistance due to DBC substrate
- Isolation lating of 2500V_{rms}/min
- UL Certified No.E209024

Applications

System air conditioner

General Description

FPAM50LH60 is an advanced smart power module of 2-phase interleaved PFC(Power Factor Correction). It combines optimized drive circuit with low-loss IGBTs and using DBC which has low thermal resistance. System reliability is further enhanced by the integrated under-voltage lock-out, over-current protection, and built-in NTC thermistor for monitoring over-temperature.

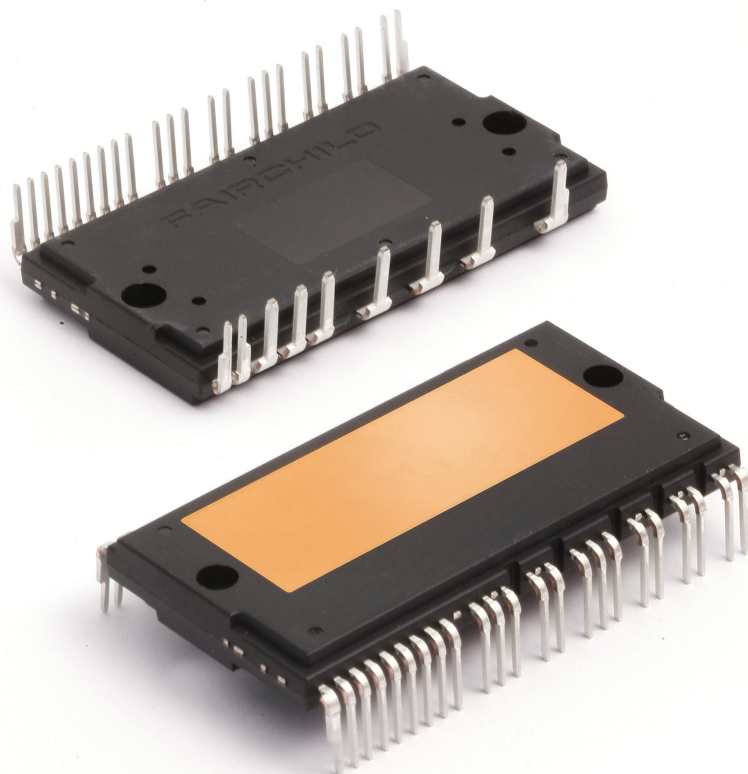


Figure 1.

Integrated Drive, Protection and System Control Functions

- For IGBTs : Gate drive circuit, Over Current protection(SC), Control supply circuit under-voltage(UV) protection
- Fault signal : Corresponding to SC and UV fault
- Built-in thermistor: Over-temperature monitoring
- Input interface : 3.3/5V CMOS/LSTTL compatible

Pin Configuration

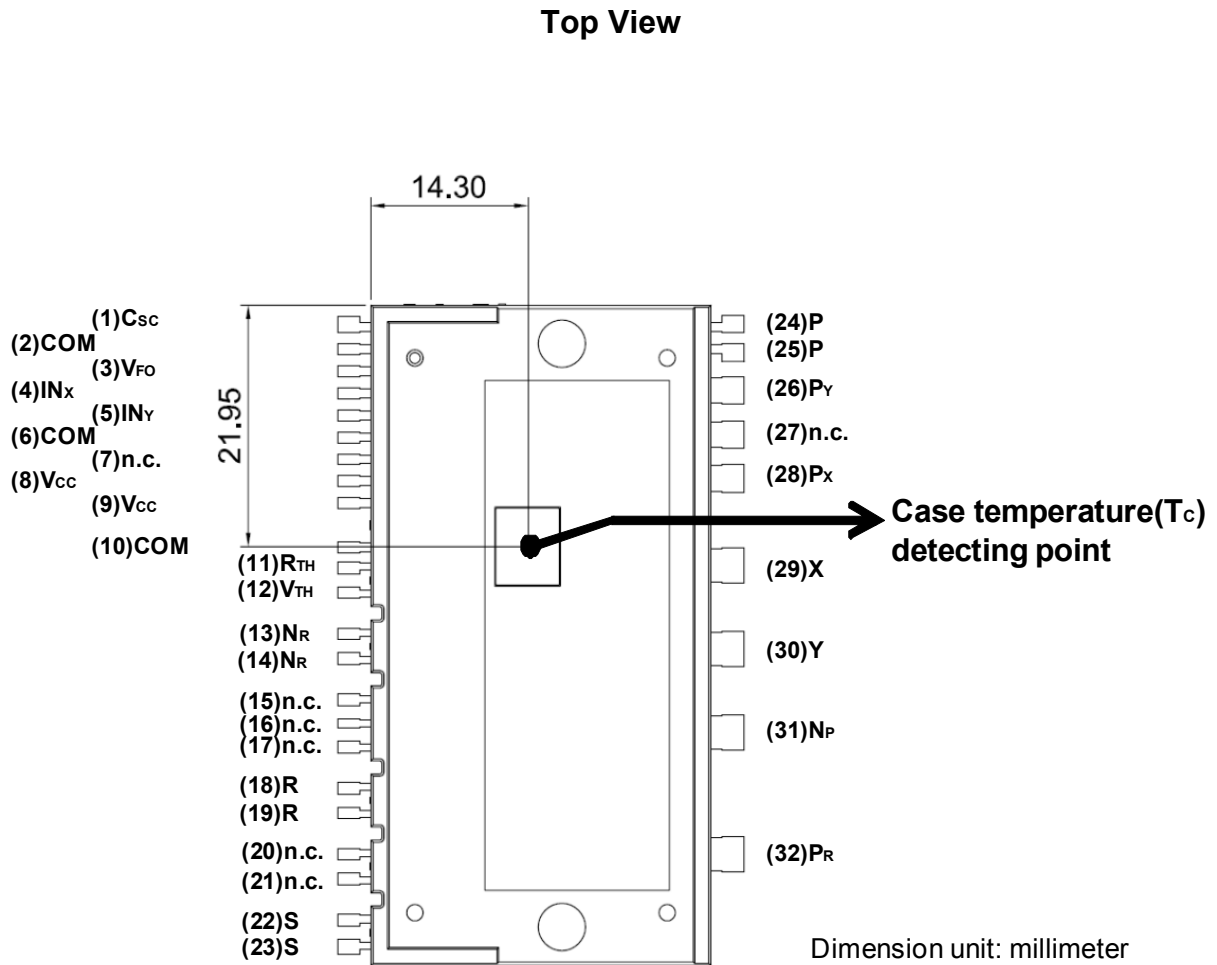


Figure 2.

Pin Descriptions

Pin Number	Pin Name	Pin Description
1	C _{SC}	Signal input for over current detection
2,6,10	COM	Common supply ground
3	V _{FO}	Fault out
4	IN _X	PWM input for X IGBT drive
5	IN _Y	PWM input for Y IGBT drive
7	n.c.	
8,9	V _{CC}	Common supply voltage of IC for IGBT drive
11	R _{TH}	Thermister
12	V _{TH}	Thermister
13,14	N _R	Negative DC-link of Rectifier Diode
15,16,17	n.c.	
18,19	R	AC input for R phase
20,21	n.c.	
22,23	S	AC input for S phase
24,25	P	Output of Diode
26	P _Y	Input of Diode
27	n.c.	
28	P _X	Input of Diode
29	X	Output of X phase IGBT
30	Y	Output of Y phase IGBT
31	N _P	Negative DC-link of IGBT
32	P _R	Positive DC-link of Rectifier Diode

Internal Equivalent Circuit

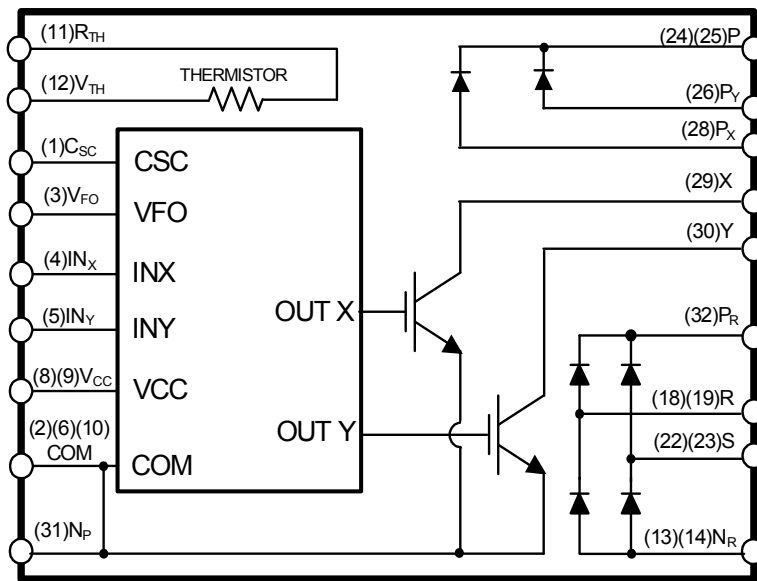


Figure 3. Internal Block Diagram

Absolute Maximum Ratings (T_J = 25°C, Unless Otherwise Specified)

Converter Part

Symbol	Parameter	Conditions	Rating	Units
V _i	Input Supply Voltage	Applied between R-S	264	V _{rms}
V _{PN}	Output Voltage	Applied between X-N _P , Y-N _P , P-P _X , P-P _Y	450	V
V _{PN(Surge)}	Output Supply Voltage (Surge)	Applied between X-N _P , Y-N _P , P-P _X , P-P _Y	500	V
V _{CES}	Collector-emitter Voltage	Breakdown Voltage between X-N _P , Y-N _P	600	V
V _{RRM}	Repetitive Peak Reverse Voltage of FRD	Breakdown Voltage between P-P _X , P-P _Y	600	V
V _{RRMR}	Repetitive Peak Reverse Voltage of Rectifier	Breakdown Voltage between P _R -R, P _R -S, R-N _R , S-N _R	900	V
*I _F	FRD Forward Current	T _C = 25°C, T _J < 125°C	50	A
*I _{FSM}	Peak Surge Current of FRD	Non-repetitive, 60Hz single half-sine wave	500	A
*I _{FR}	Rectified Forward Current	T _C = 25°C, T _J < 125°C	50	A
*I _{FSMR}	Peak Surge Current of Rectifier	Non-repetitive, 60Hz single half-sine wave	500	A
± *I _{IC}	Each IGBT Collector Current	T _C = 25°C, T _J < 125°C	50	A
± *I _{ICP}	Each IGBT Collector Current(Peak)	T _C = 25°C, T _J < 125°C, Under 1ms pulse width	100	A
*P _C	Collector Dissipation	T _C = 25°C per single IGBT	135	W
T _J	Operating Junction Temperature	(Note 1)	-40~125	°C

Note:

1. The maximum junction temperature rating of the power chips integrated within the SPM is 125°C.
2. Marking "*" is calculation value or design factor.

Control Part

Symbol	Parameter	Conditions	Rating	Units
V _{CC}	Control Supply Voltage	Applied between V _{CC} - COM	20	V
V _{IN}	Input Signal Voltage	Applied between IN _X , IN _Y - COM	-0.3 ~ V _{CC} +0.3	V
V _{FO}	Fault Output Supply Voltage	Applied between V _{FO} - COM	-0.3 ~ V _{CC} +0.3	V
I _{FO}	Fault Output Current	Sink Current at V _{FO} Pin	1	mA
V _{SC}	Current Sensing Input Voltage	Applied between C _{SC} - COM	-0.3 ~ V _{CC} +0.3	V

Total System

Symbol	Parameter	Conditions	Rating	Units
T _{STG}	Storage Temperature		-40 ~ 125	°C
V _{ISO}	Isolation Voltage	60Hz, Sinusoidal, AC 1 minute, Connection Pins to heat sink plate	2500	V _{rms}

Thermal Resistance

Symbol	Parameter	Condition	Min.	Typ.	Max.	Units
R _{th(j-c)Q}	Junction to Case Thermal Resistance	Each IGBT under Operating Condition	-	-	0.74	°C/W
R _{th(j-c)D}		Each Diode under Operating Condition	-	-	1.13	°C/W
R _{th(j-c)R}		Each Rectifier under Operating Condition	-	-	0.74	°C/W

Electrical Characteristics ($T_J = 25^\circ\text{C}$, Unless Otherwise Specified)**Converter Part**

Symbol	Parameter	Conditions	Min.	Typ.	Max.	Units
$V_{CE(SAT)}$	IGBT Saturation Voltage	$V_{CC} = 15\text{V}$, $V_{IN} = 5\text{V}$, $I_C = 50\text{A}$	-	1.7	2.2	V
V_{FF}	FRD Forward Voltage	$I_F = 50\text{A}$	-	1.9	2.4	V
V_{FR}	Rectifier Forward Voltage	$I_{FR} = 50\text{A}$	-	1.13	1.35	V
I_{RR}	Switching Characteristic	$V_{PN} = 400\text{V}$, $V_{CC} = 15\text{V}$, $I_C = 25\text{A}$, $V_{IN} = 0\text{V} \leftrightarrow 5\text{V}$, Inductive Load (Note 3), per single IGBT	-	27	-	A
t_{RR}			-	45	-	ns
t_{ON}			-	772	-	ns
t_{OFF}			-	1117	-	ns
$t_{C(ON)}$			-	110	-	ns
$t_{C(OFF)}$			-	125	-	ns
I_{CES}			Collector-Emitter Leakage Current	$V_{CES} = 600\text{V}$	-	-

Note:

3. t_{ON} and t_{OFF} include the propagation delay time of the internal drive IC. $t_{C(ON)}$ and $t_{C(OFF)}$ are the switching time of IGBT itself under the given gate driving condition internally. For the detailed information, please see Figure 4.

Control Part

Symbol	Parameter	Conditions	Min.	Typ.	Max.	Units
I_{QCC}	Quiescent V_{CC} Supply Current	$V_{CC} = 15\text{V}$, IN_X , $IN_Y - \text{COM} = 0\text{V}$, Supply current between V_{CC} and COM	-	-	2.65	mA
I_{PCC}	Operating V_{CC} Supply Current	$V_{CC} = 15\text{V}$, $f_{PWM} = 20\text{kHz}$, duty=50%, applied to one PWM signal input per single IGBT, Supply current between V_{CC} and COM	-	-	7.0	mA
V_{FOH}	Fault Output Voltage	$V_{SC} = 0\text{V}$, V_{FO} Circuit: 10k Ω to 5V Pull-up	4.5	-	-	V
V_{FOL}		$V_{SC} = 1\text{V}$, V_{FO} Circuit: 10k Ω to 5V Pull-up	-	-	0.5	V
$V_{SC(Ref)}$	Over-Current Protection Trip Level Voltage of CSC pin	$V_{CC} = 15\text{V}$	0.45	0.5	0.55	V
UV_{CCD}	Supply Circuit Under-Voltage Protection	Detection Level	10.5	-	13.0	V
UV_{CCR}		Reset Level	11.0	-	13.5	V
t_{FOD}	Fault-out Pulse Width		30	-	-	μs
$V_{IN(ON)}$	ON Threshold Voltage	Applied between IN_X , $IN_Y - \text{COM}$	2.6	-	-	V
$V_{IN(OFF)}$	OFF Threshold Voltage	Applied between IN_X , $IN_Y - \text{COM}$	-	-	0.8	V
R_{TH}	Resistance of Thermistor	@ $T_{TH} = 25^\circ\text{C}$ (Figure 5)(Note 4)	-	47	-	k Ω
		@ $T_{TH} = 100^\circ\text{C}$ (Figure 5)(Note 4)	-	2.9	-	k Ω

Note:

4. T_{TH} is the temperature of thermistor itself. To know case temperature (T_C), please make the experiment considering your application.

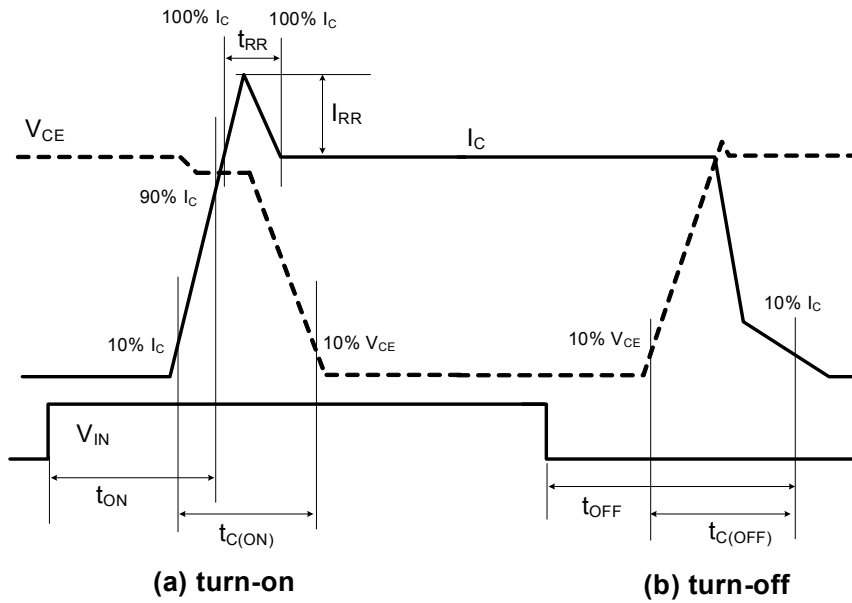


Figure 4. Switching Time Definition

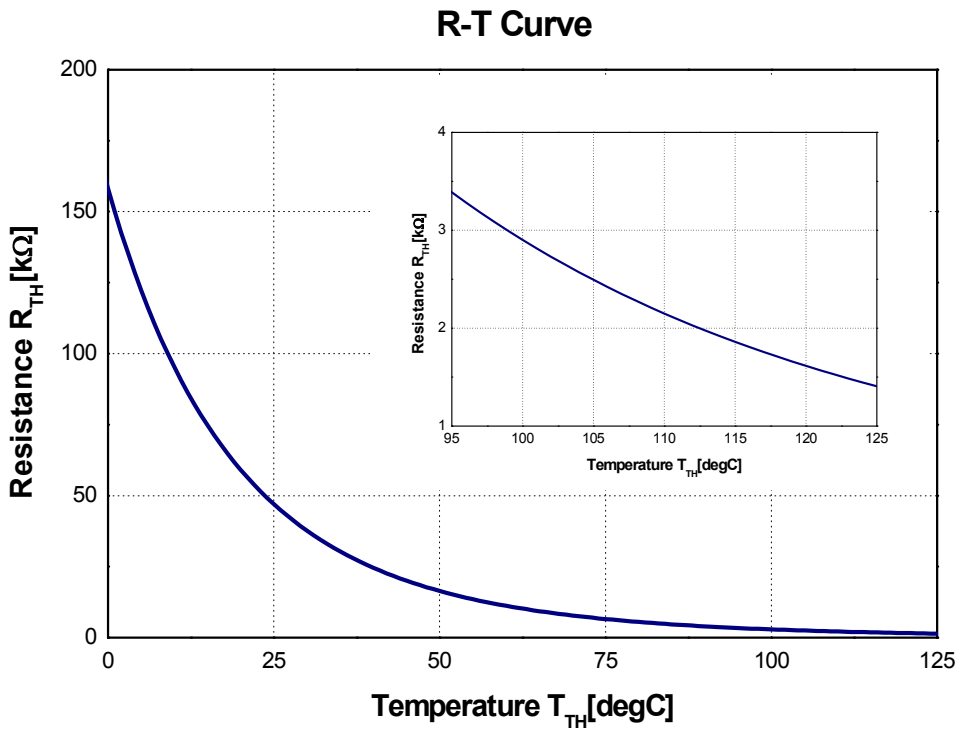


Figure 5. R-T Curve of The Built-in Thermistor

Recommended Operating Conditions ($T_J = 25^\circ\text{C}$, Unless Otherwise Specified)

Symbol	Parameter	Conditions	Value			Units
			Min.	Typ.	Max.	
V_i	Input Supply Voltage	Applied between R - S	187	-	253	V_{rms}
I_i	Input Current	$T_C < 90^\circ\text{C}$, $V_i = 220\text{V}$, $V_O = 360\text{V}$, $f_{PWM} = 20\text{kHz}$ per each IGBT	-	-	35	A_{rms}
V_{PN}	Supply Voltage	Applied between X- N_P , Y- N_P , P- P_X , P- P_Y	-	-	400	V
V_{CC}	Control Supply Voltage	Applied between V_{CC} - COM	13.5	15	16.5	V
dV_{CC}/dt	Supply Variation		-1	-	1	$V/\mu\text{s}$
I_{FO}	Fault Output Current	Sink Current at V_{FO} Pin	-	-	1	mA
f_{PWM}	PWM Input Frequency	$-40^\circ\text{C} < T_J < 125^\circ\text{C}$ per single IGBT	-	20	-	kHz

Mechanical Characteristics and Ratings

Parameter	Conditions		Limits			Units
			Min.	Typ.	Max.	
Mounting Torque	Mounting Screw: M4	Recommended 0.98N•m	0.78	0.98	1.17	N•m
		Recommended 10kg•cm	8	10	12	kg•cm
Device Flatness	Refer to Figure 6		0	-	+150	μm
Weight			-	32	-	g

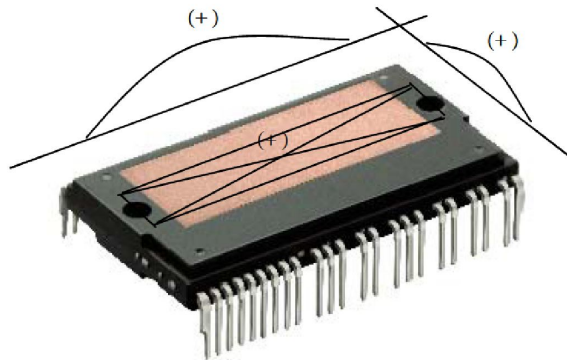
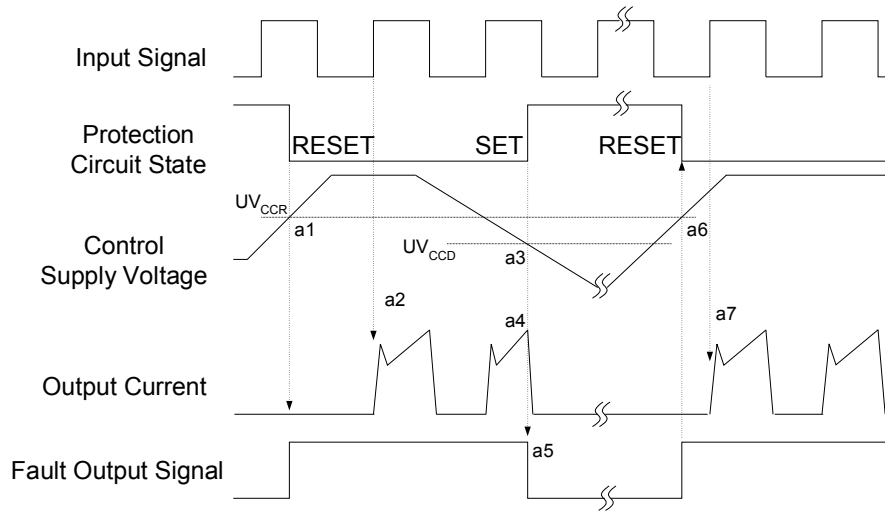


Figure 6. Flatness Measurement Position

Package Marking and Ordering Information

Device Marking	Device	Package	Reel Size	Tape Width	Quantity
FPAM50LH60	FPAM50LH60	SPM32-EA	-	-	8

Time Charts of Protective Function



- a1 : Control supply voltage rises: After the voltage rises UV_{CCR} , the circuits start to operate when the next input is applied.
- a2 : Normal operation: IGBT ON and carrying current.
- a3 : Under voltage detection (UV_{CCD}).
- a4 : IGBT OFF in spite of control input condition.
- a5 : Fault output operation starts.
- a6 : Under voltage reset (UV_{CCR}).
- a7 : Normal operation: IGBT ON and carrying current.

Figure 7. Under-Voltage Protection

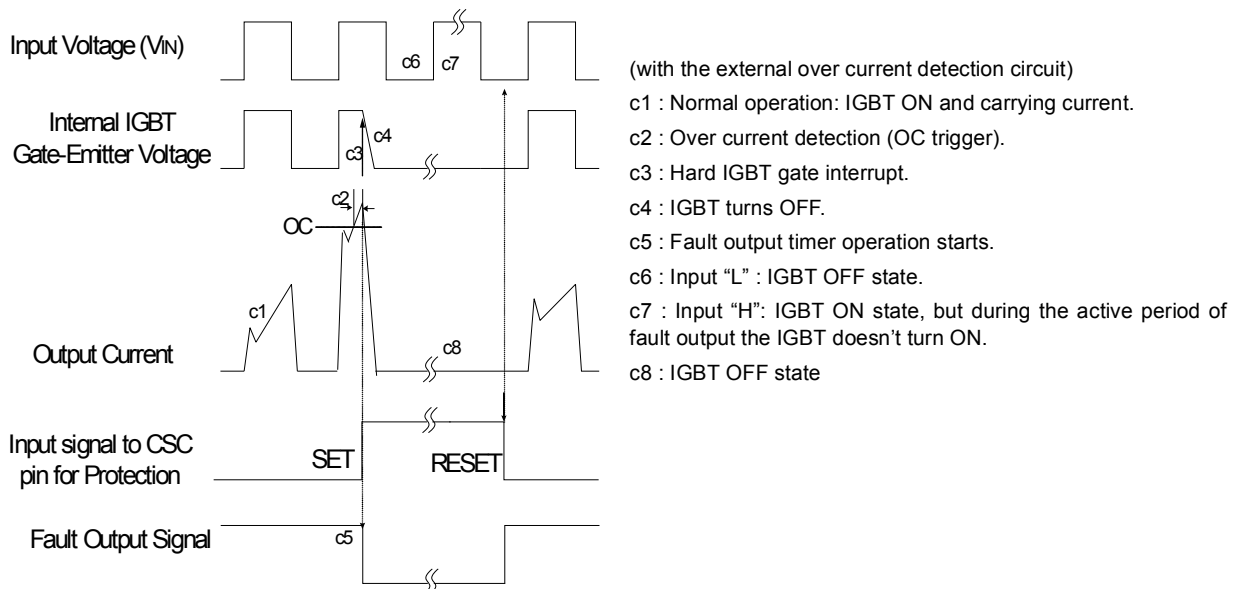
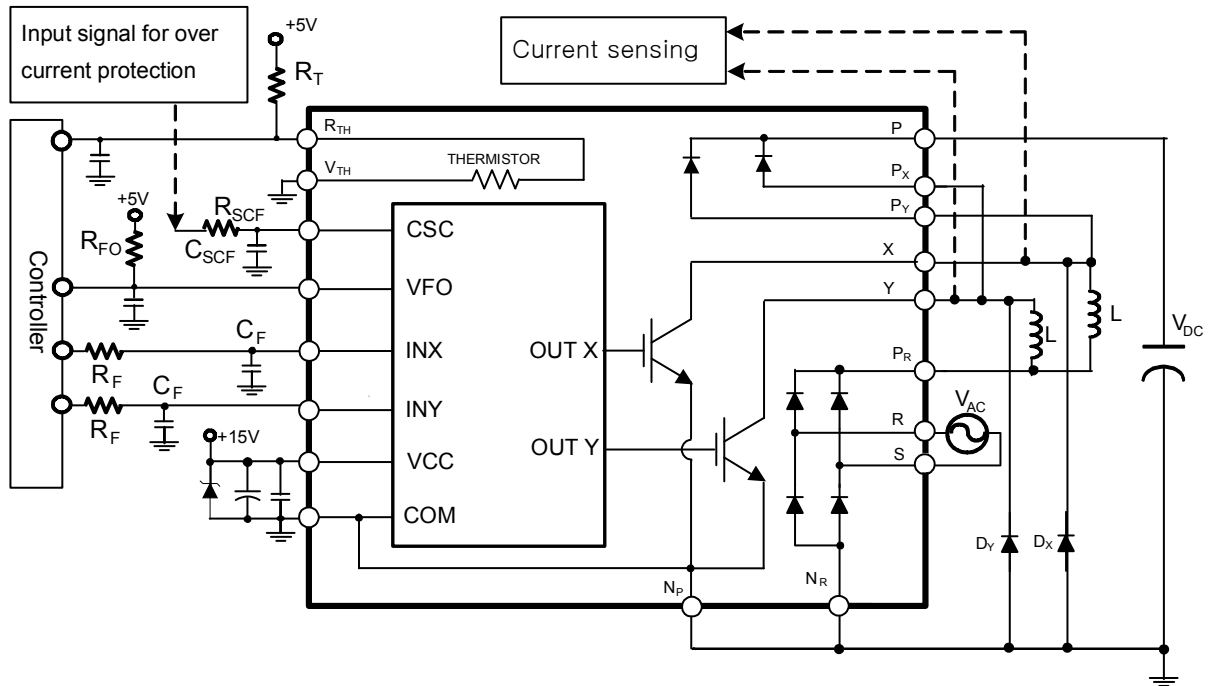


Figure 8. Over Current Protection

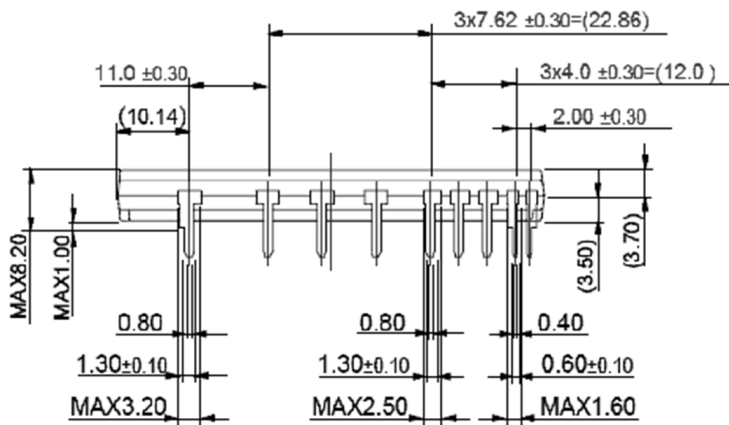
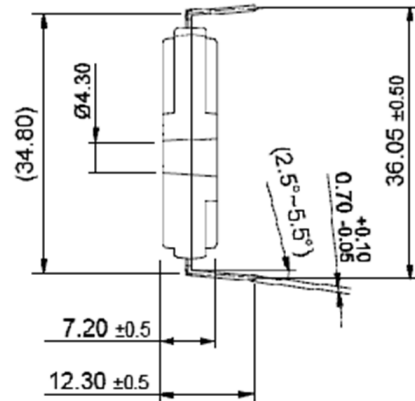
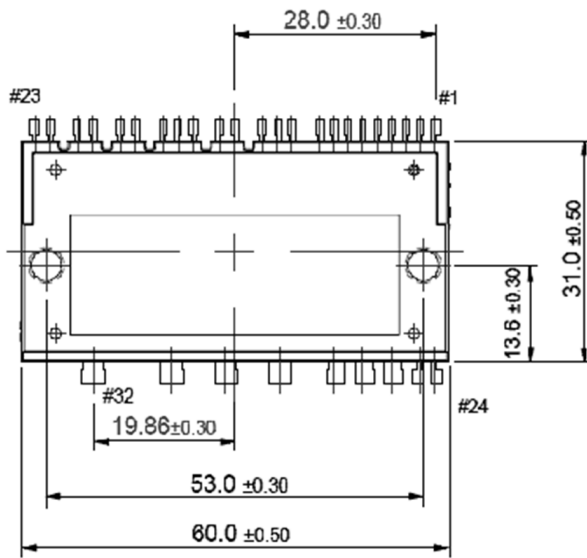
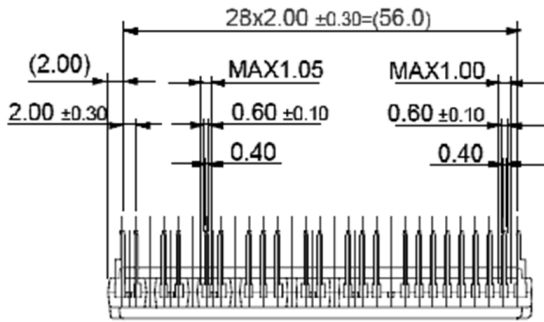


Note:

1. To avoid malfunction, the wiring of each input should be as short as possible. (less than 2~3cm)
2. V_{FO} output is open drain type. This signal line should be pulled up to the positive side of the MCU or control power supply with a resistor that makes I_{FO} up to 1mA.
3. Input signal is High-Active type. There is a 5kΩ resistor inside the IC to pull down each input signal line to GND. RC coupling circuits is recommended for the prevention of input signal oscillation. R_FC_F constant should be selected in the range 50~150ns. (Recommended R_F=100Ω, C_F=1nF)
4. To prevent error of the protection function, the wiring related with R_{SCF} and C_{SCF} should be as short as possible.
5. In the over current protection circuit, please select the R_{SCF}, C_{SCF} time constant in the range 1.5~2 μs.
6. Each capacitors should be mounted as close to the SPM pins as possible.
7. Relays are used at almost every systems of electrical equipments of home appliances. In these cases, there should be sufficient distance between the CPU and the relays.
8. Internal NTC thermistor can be used for monitoring of the case temperature and protecting the device from the overheating operation. Select an appropriate resistor R_T according to the application.
9. It is recommended that anti-parallel diode(D_X, D_Y) be connected with each IGBT.

Figure 9. Typical Application Circuit

Detailed Package Outline Drawings







Dimension unit: millimeter



TRADEMARKS

The following includes registered and unregistered trademarks and service marks, owned by Fairchild Semiconductor and/or its global subsidiaries, and is not intended to be an exhaustive list of all such trademarks.

- | | | | |
|--|--|--|---|
| 2Cool™ | F-PFS™ | PowerTrench® | The Power Franchise® |
| AccuPower™ | FRFET® | PowerXS™ | the power franchise |
| AX-CAP™* | Global Power Resource™ | Programmable Active Droop™ | TinyBoost™ |
| BitSiC™ | GreenBridge™ | QFET® | TinyBuck™ |
| Build it Now™ | Green FPS™ | QS™ | TinyCalc™ |
| CorePLUS™ | Green FPS™ e-Series™ | Quiet Series™ | TinyLogic® |
| CorePOWER™ | Gmax™ | RapidConfigure™ | TINYOPTO™ |
| CROSSVOL™ | GTO™ |  ™ | TinyPower™ |
| CTL™ | IntelliMAX™ | Saving our world, 1mW/W/kW at a time™ | TinyPWM™ |
| Current Transfer Logic™ | ISOPLANAR™ | SignalWise™ | TinyWire™ |
| DEUXPEED® | Making Small Speakers Sound Louder and Better™ | SmartMax™ | TranSiC™ |
| Dual Cool™ | MegaBuck™ | SMART START™ | TriFault Detect™ |
| EcoSPARK® | MICROCOUPLER™ | Solutions for Your Success™ | TRUECURRENT®* |
| EfficientMax™ | MicroFET™ | SPM® | µSerDes™ |
| ESBC™ | MicroPak™ | STEALTH™ |  SerDes™ |
|  Fairchild® | MicroPak2™ | SuperFET® | UHC® |
| Fairchild Semiconductor® | MillerDrive™ | SuperSOT™-3 | Ultra FRFET™ |
| FACT Quiet Series™ | MotionMax™ | SuperSOT™-6 | UniFET™ |
| FACT® | Motion-SPM™ | SuperSOT™-8 | VCX™ |
| FAST® | mWSaver™ | SupreMOS® | VisualMax™ |
| FastvCore™ | OptoHiT™ | SyncFET™ | VoltagePlus™ |
| FETBench™ | OPTOLOGIC® | Sync-Lock™ | XS™ |
| FlashWriter®* | OPTOPLANAR® |  SYSTEM GENERAL®* | |
| FPS™ | | | |

* Trademarks of System General Corporation, used under license by Fairchild Semiconductor.

DISCLAIMER

FAIRCHILD SEMICONDUCTOR RESERVES THE RIGHT TO MAKE CHANGES WITHOUT FURTHER NOTICE TO ANY PRODUCTS HEREIN TO IMPROVE RELIABILITY, FUNCTION, OR DESIGN. FAIRCHILD DOES NOT ASSUME ANY LIABILITY ARISING OUT OF THE APPLICATION OR USE OF ANY PRODUCT OR CIRCUIT DESCRIBED HEREIN; NEITHER DOES IT CONVEY ANY LICENSE UNDER ITS PATENT RIGHTS, NOR THE RIGHTS OF OTHERS. THESE SPECIFICATIONS DO NOT EXPAND THE TERMS OF FAIRCHILD'S WORLDWIDE TERMS AND CONDITIONS, SPECIFICALLY THE WARRANTY THEREIN, WHICH COVERS THESE PRODUCTS.

LIFE SUPPORT POLICY

FAIRCHILD'S PRODUCTS ARE NOT AUTHORIZED FOR USE AS CRITICAL COMPONENTS IN LIFE SUPPORT DEVICES OR SYSTEMS WITHOUT THE EXPRESS WRITTEN APPROVAL OF FAIRCHILD SEMICONDUCTOR CORPORATION.

As used herein:

1. Life support devices or systems are devices or systems which, (a) are intended for surgical implant into the body or (b) support or sustain life, and (c) whose failure to perform when properly used in accordance with instructions for use provided in the labeling, can be reasonably expected to result in a significant injury of the user.
2. A critical component in any component of a life support, device, or system whose failure to perform can be reasonably expected to cause the failure of the life support device or system, or to affect its safety or effectiveness.

ANTI-COUNTERFEITING POLICY

Fairchild Semiconductor Corporation's Anti-Counterfeiting Policy. Fairchild's Anti-Counterfeiting Policy is also stated on our external website, www.fairchildsemi.com, under Sales Support.

Counterfeiting of semiconductor parts is a growing problem in the industry. All manufacturers of semiconductor products are experiencing counterfeiting of their parts. Customers who inadvertently purchase counterfeit parts experience many problems such as loss of brand reputation, substandard performance, failed applications, and increased cost of production and manufacturing delays. Fairchild is taking strong measures to protect ourselves and our customers from the proliferation of counterfeit parts. Fairchild strongly encourages customers to purchase Fairchild parts either directly from Fairchild or from Authorized Fairchild Distributors who are listed by country on our web page cited above. Products customers buy either from Fairchild directly or from Authorized Fairchild Distributors are genuine parts, have full traceability, meet Fairchild's quality standards for handling and storage and provide access to Fairchild's full range of up-to-date technical and product information. Fairchild and our Authorized Distributors will stand behind all warranties and will appropriately address any warranty issues that may arise. Fairchild will not provide any warranty coverage or other assistance for parts bought from Unauthorized Sources. Fairchild is committed to combat this global problem and encourage our customers to do their part in stopping this practice by buying direct or from authorized distributors.

PRODUCT STATUS DEFINITIONS

Definition of Terms

Datasheet Identification	Product Status	Definition
Advance Information	Formative / In Design	Datasheet contains the design specifications for product development. Specifications may change in any manner without notice.
Preliminary	First Production	Datasheet contains preliminary data; supplementary data will be published at a later date. Fairchild Semiconductor reserves the right to make changes at any time without notice to improve design.
No Identification Needed	Full Production	Datasheet contains final specifications. Fairchild Semiconductor reserves the right to make changes at any time without notice to improve the design.
Obsolete	Not In Production	Datasheet contains specifications on a product that is discontinued by Fairchild Semiconductor. The datasheet is for reference information only.

Rev. I61