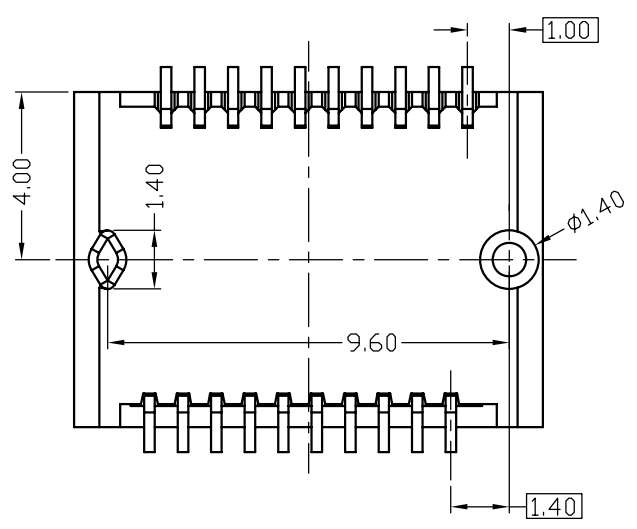
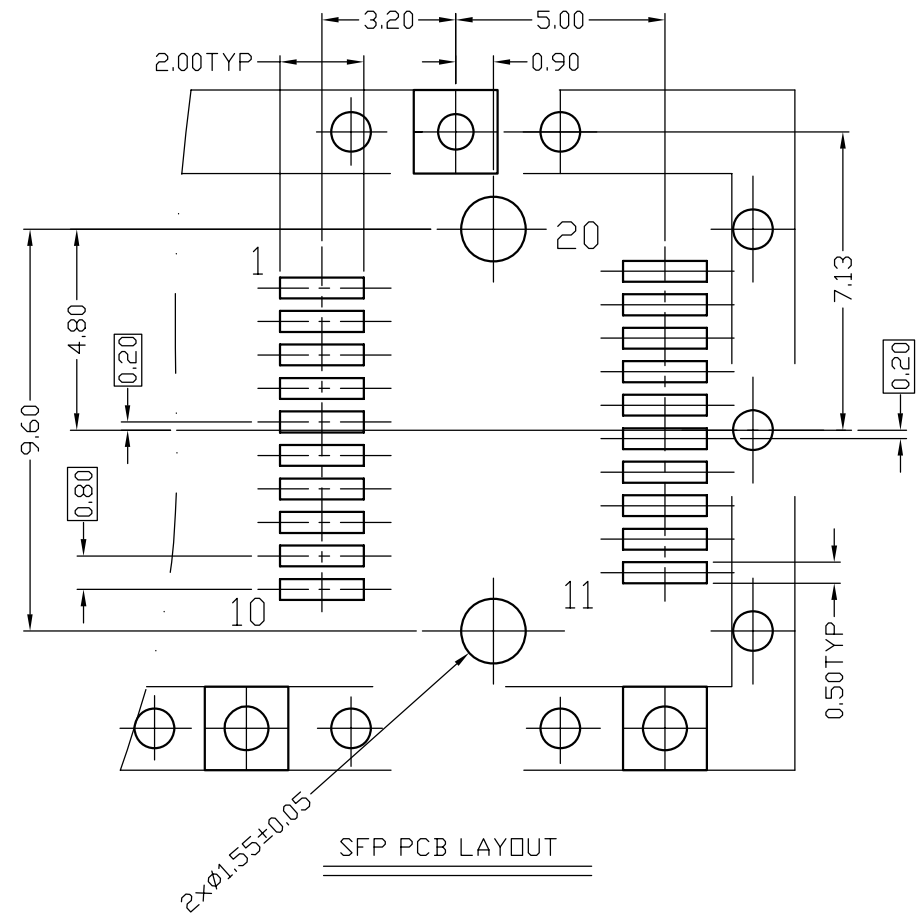
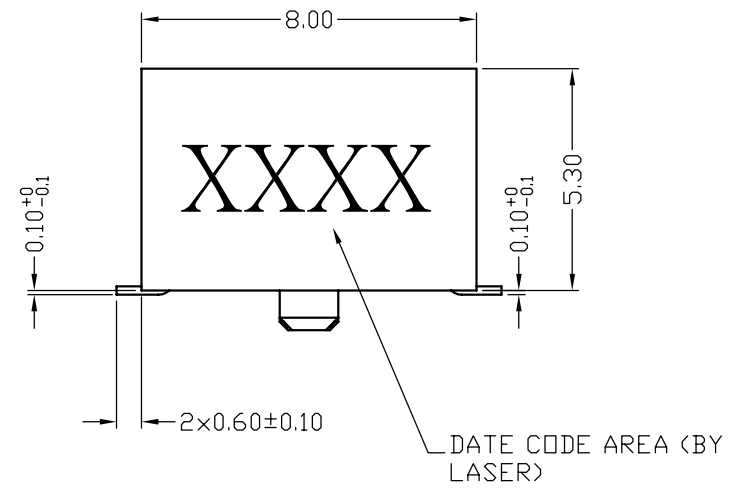
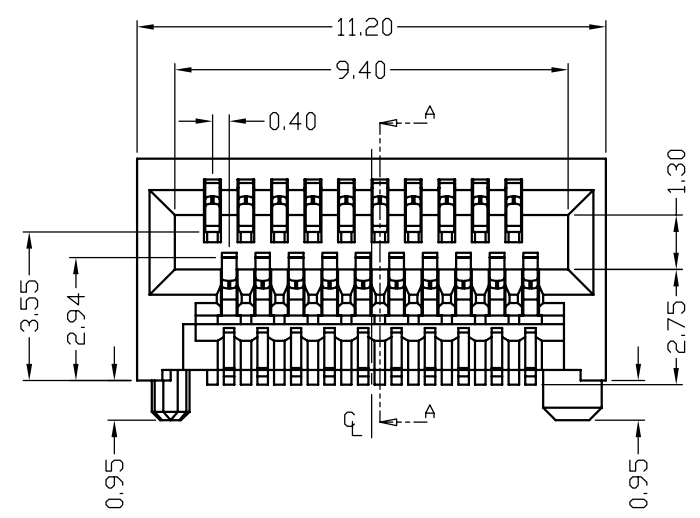
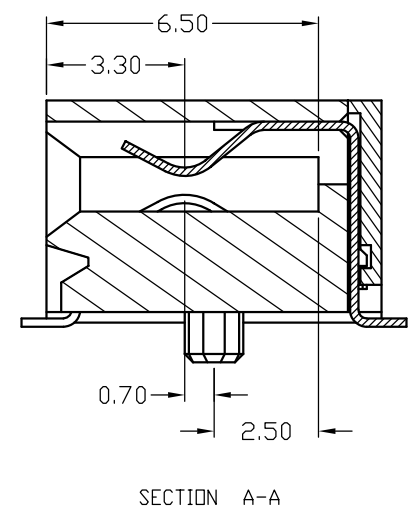
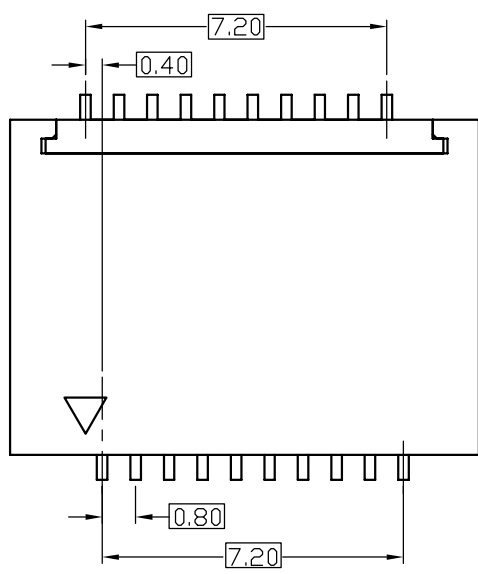


REVISION DESCRIPTION	APP.	DRW.	DATE	CHANGE No.
△ X				
△ X				
△ X				



SPECIFICATIONS

MATERIALS AND FINISHES:
 INSULATOR: THERMOPLASTIC, UL94 V-0.
 CONTACTS: COPPER ALLOY.
 FUNCTION AREA PLATING: Au OVER Ni; TAIL AREA PLATING: Sn OVER Ni.

MECHANICAL:
 DURABILITY: 250 CYCLES
 INSERTION/EXTRACTION FORCE: 40N MAX. / 11.5N MAX.

PHYSICAL:
 OPERATING TEMPERATURE: -55°C TO +85°C

ELECTRICAL:
 CONTACT RESISTANCE: 20m Ωhms MAX.
 VOLTAGE RATING: 30V AC RMS MAX.
 INSULATION RESISTANCE: 1000M Ωhms Min.
 CURRENT RATING: 0.5 A MAX.
 RoHS DIRECTIVE COMPLIANCE: (LEAD-FREE) REFLOW CAPABLE TO 260±10°C, 10SEC

General Tolerances (Unless Specified)		SFP CONNECTOR, 20P, SMT						YAMAICHI ELECTRONICS USA INC.	
	mm							CLASS	
4 P hce	±0.30	SCALE	5/1	APP.	APP.	CHK.	DRW.	DSGN.	TITLE
3 P hce	±0.10	DIMENSION	mm	08/15/2011	08/15/2011	08/15/2011	08/15/2011	08/15/2011	CNU109S-020-0010
2 P hce	±0.20	ANGLE PROJ	3rd	K. Abe	K. Abe	Q. Shimizu	Q. Shimizu	DRW No.	YEU-A1711
1 P hce	±0.30							Sheet No.	1/1
Angular	±1°							REV.	A