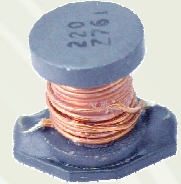


SMD Power Inductor CDR910



■ Features

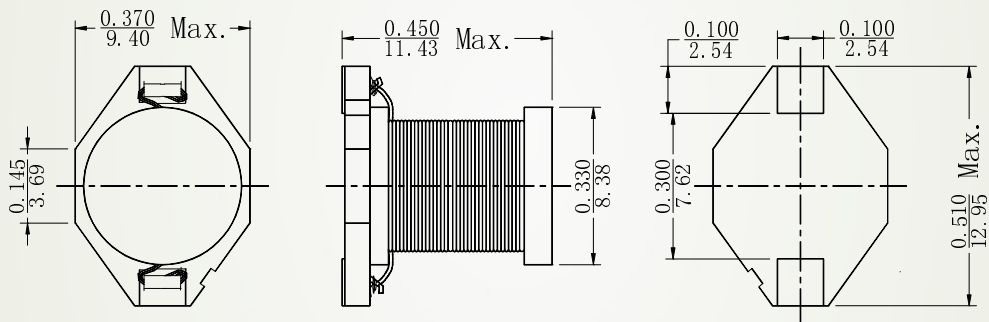
- ◎ 12.95 × 9.40mm Max.(L × W), 11.43mm Max. Height.
- ◎ Operating temperature range: -40°C~+105°C.
- ◎ RoHS and Halogen-Free Compliance.

■ Applications

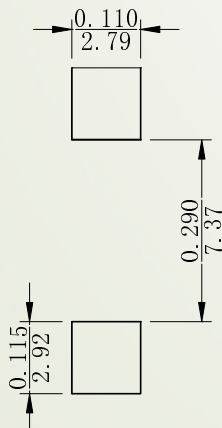
Surface mount inductor for Communication devices like xDSL modem, router and Point, etc.

■ Shapes and Dimensions/Recommended Land Patterns(mm)

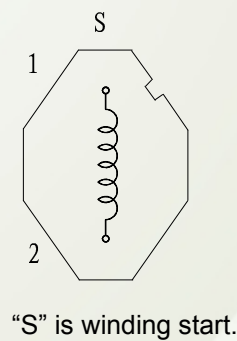
◆ Dimensions



◆ Land pattern (mm)



◆ Schematics (Bottom)



SMD Power Inductor CDR910



■Electrical Characteristics specification.

Part Name	Stamp	Inductance 100kHz/1V (μ H)	D.C.R.(Ω) Max.(Typ.) (at 20°C)	Saturation Current (A) ※1	Temperature rise current (A)※2
CDR910NP-180MC	180	18±20%	49m (39m)	4.80(6.00)	2.92(3.40)
CDR910NP-220MC	220	22±20%	56m (45m)	4.24(5.30)	2.88(3.30)
CDR910NP-330MC	330	33±20%	68m (54m)	3.52(4.40)	2.60(2.95)
CDR910NP-470MC	470	47±20%	100m (80m)	2.92(3.65)	2.19(2.49)
CDR910NP-680MC	680	68±20%	0.148 (0.118)	2.40(3.00)	1.70(1.95)
CDR910NP-101MC	101	100±20%	0.190 (0.152)	2.00(2.50)	1.47(1.67)
CDR910NP-151MC	151	150±20%	0.296 (0.237)	1.60(2.00)	1.17(1.33)
CDR910NP-221MC	221	220±20%	0.435 (0.348)	1.34(1.68)	0.93(1.02)
CDR910NP-331MC	331	330±20%	0.681 (0.545)	1.10(1.38)	0.80(0.90)
CDR910NP-471MC	471	470±20%	0.843 (0.674)	0.94(1.18)	0.70(0.80)
CDR910NP-681MC	681	680±20%	1.26 (1.05)	0.82(1.02)	0.50(0.58)
CDR910NP-102MC	102	1000±20%	1.84 (1.53)	0.60(0.76)	0.36(0.42)

※1. Saturation Current: The DC current at which the inductance decreases to 90% of it's nominal value.

※2. Temperature rise current: The DC current at which the temperature rise is $\Delta t=40^{\circ}\text{C}$. ($T_a=20^{\circ}\text{C}$)

For More Information

Hong Kong

Tel.+852-2880-6688
FAX.+852-2565-9600

Shanghai

Tel.+86-021-58363299
FAX.+86-021-58363266

Shenzhen

Tel.+86-755-82910228
FAX.+86-755-82910338

Taipei

Tel.+886-2-27065228
FAX.+886-2-27065229

Tokyo

Tel.+81-3-5202-7112
FAX.+81-3-5202-7105

Seoul

Tel.+82-2-6237-0777
FAX.+82-2-6237-0778

Singapore

Tel.+65-6296-3388
FAX.+65-6296-3390

Malaysia

Tel.+60-3-8733-0900
FAX.+60-3-8737-7384

Chicago

Tel.+1-847-545-6700
FAX. +1-847-545-6720

California

Tel.+1-408-321-9660
FAX. +1-408-321-9308

