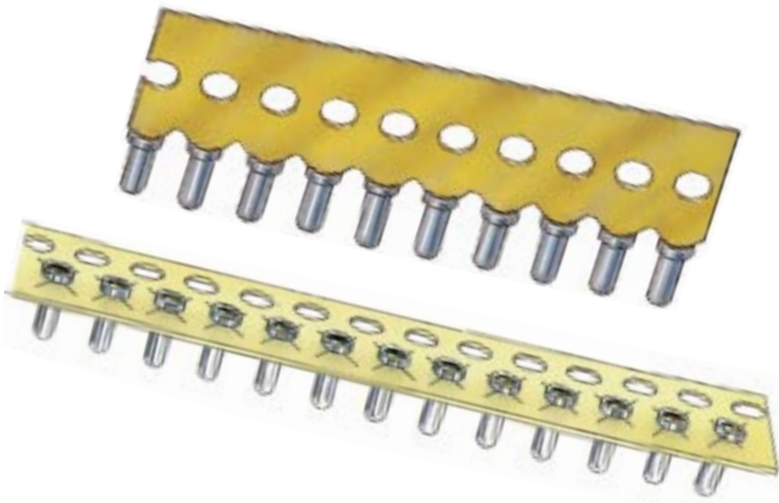


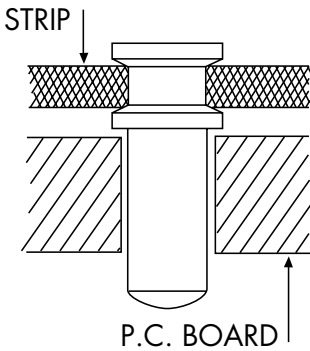
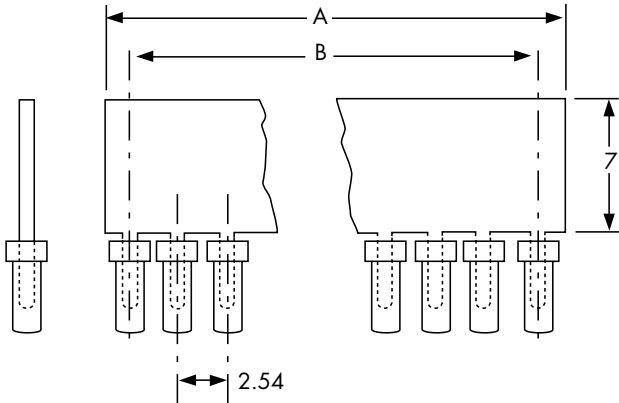
PC BOARD SOCKETS

Socket Strips for Ø0.5 pins



100 Contacts on a polyester strip, packed in a tube, ideal for multiple loading. Strip can be easily cut into any length and left in place, or removed after soldering.

Order Codes D01-6020001 100 way strip of H3155-01



Single-in-line socket carriers
Carriers are supplied fitted with the sub-miniature socket shown in the tables below. Stocked in standard lengths.

Standard sizes and finishes
For socket details see page K2.

Size	A	B	Order Codes				
			With H3153-01	With H3155-01	With H3191-01	With H3192-01	With H3190-01
4	10.96	9.16	D01-9900401	D01-9840401	D01-9820401	D01-9790401	D01-9810401
5	13.50	11.70	D01-9900501	D01-9840501	D01-9820501	D01-9790501	D01-9810501
6	16.04	14.24	D01-9900601	D01-9840601	D01-9820601	D01-9790601	D01-9810601
7	18.58	16.78	D01-9900701	D01-9840701	D01-9820701	D01-9790701	D01-9810701
8	21.12	19.32	D01-9900801	D01-9840801	D01-9820801	D01-9790801	D01-9810801
9	23.66	21.86	D01-9900901	D01-9840901	D01-9820901	D01-9790901	D01-9810901
10	26.20	24.40	D01-9901001	D01-9841001	D01-9821001	D01-9791001	D01-9811001
12	31.28	29.48	D01-9901201	D01-9841201	D01-9821201	D01-9791201	D01-9811201
14	36.36	34.56	D01-9901401	D01-9841401	D01-9821401	D01-9791401	D01-9811401
16	41.44	39.64	D01-9901601	D01-9841601	D01-9821601	D01-9791601	D01-9811601
20	51.60	49.80	D01-9902001	D01-9842001	D01-9822001	D01-9792001	D01-9812001
32	82.08	80.28	D01-9903201	D01-9843201	D01-9823201	D01-9793201	D01-9813201

Order Code

Other sizes and finishes may be ordered using the following order code.

Example:
D01-9901705 is a 17 way carrier fitted with contacts H3153-05 (gold shell/gold contact.)

D01	-	XXX	XX	XX
Series	-	Type	No. of Ways	Finish

T6 - Tin/lead shell tin/lead contact
05 - Gold shell/gold contact
01 - Tin/lead shell, gold contact