



# HIGH CURRENT, LOW DROPOUT SURFACE MOUNT VOLTAGE REGULATORS

# 5230 SERIES

M.S.KENNEDY CORP.

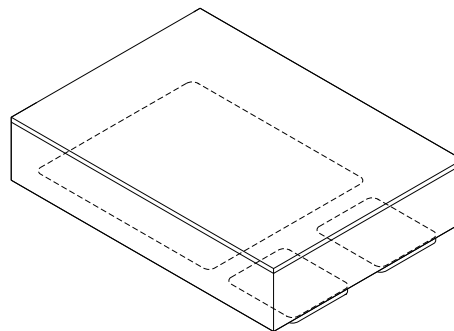
4707 Dey Road Liverpool, N.Y. 13088

(315) 701-6751

**FEATURES:**

- Hermetic Surface Mount Package
- Extremely Low Dropout Voltage: 350mV @ 3 Amps
- Available in 2.5V, 3.3V, 5.0V and 12.0V
- On Board Thermal Shut Down
- Reverse Battery and Load Dump Protection
- Low Ground Current: 32mA Typical at Full Load
- 1% Maximum Guaranteed Accuracy
- Output Current to 3 Amps
- Alternate Output Voltages Available

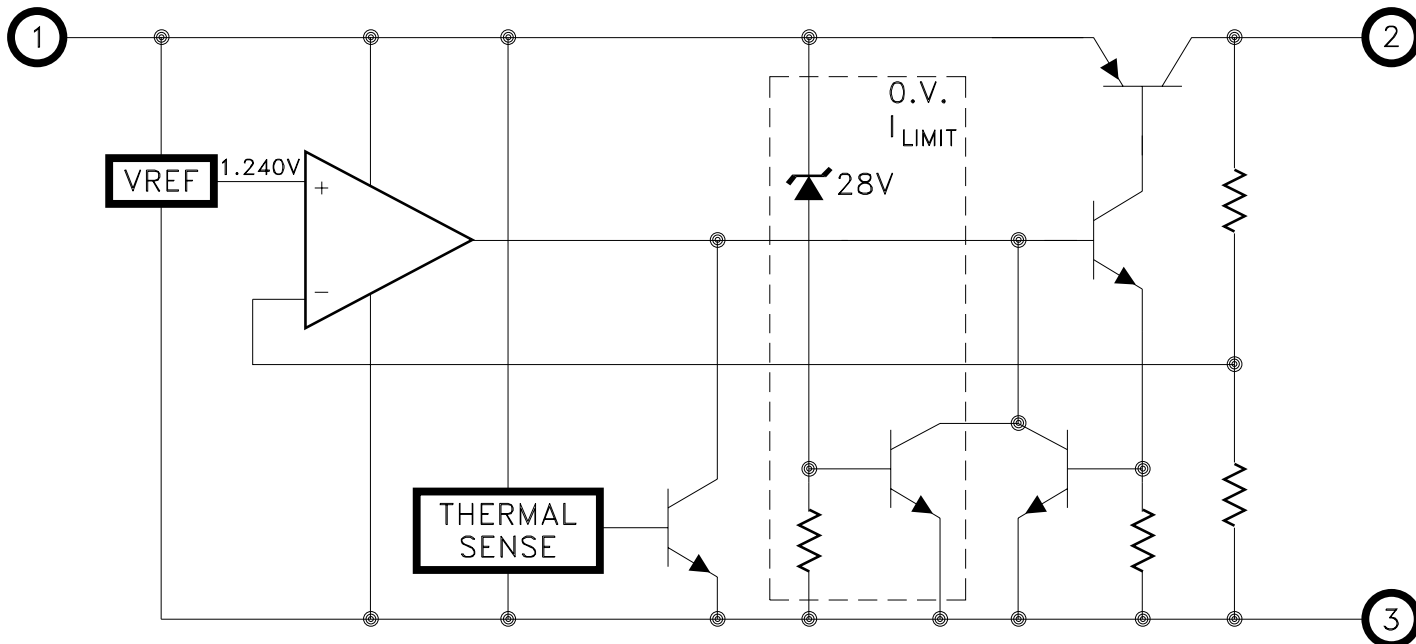
**MIL-PRF-38534 QUALIFIED**



**DESCRIPTION:**

The MSK 5230 series voltage regulators are available in +2.5V, +3.3V, +5.0V, and +12.0V output configurations. All boast ultra low dropout specifications due to the utilization of a super PNP output pass transistor with monolithic technology. Dropout voltages of 350mV at 3 amps are typical in this configuration, which drives efficiency up and power dissipation down. Accuracy is guaranteed with a 1% maximum output voltage tolerance. The MSK 5230 series is packaged in a space efficient 3 pin power surface mount ceramic package.

**EQUIVALENT SCHEMATIC**



**TYPICAL APPLICATIONS**

- High Efficiency, High Current Linear Regulators
- Constant Voltage/Current Regulators
- System Power Supplies
- Switching Power Supply Post Regulators
- Battery Powered Equipment

**PIN-OUT INFORMATION**

- 1 VIN
- 2 VOUT
- 3 Ground

## ABSOLUTE MAXIMUM RATINGS

$V_{INP}$  Input Voltage (100mS 1%D.C.) -20V to +60V  
 $V_{IN}$  Input Voltage . . . . . 26V  
 $V_{EN}$  Enable Voltage . . . . . -0.3V to 26V  
 $I_{OUT}$  Output Current . . . . . 4A

$T_{ST}$  Storage Temperature Range . . -65°C to +150°C  
 $T_{LD}$  Lead Temperature . . . . . 300°C  
 (10 Seconds Soldering)  
 $T_J$  Operating Temperature  
 MSK 5230 Series . . . . . -40°C to +85°C  
 MSK 5230H Series . . . . . -55°C to +125°C

## ELECTRICAL SPECIFICATIONS

Parameter	Test Conditions <sup>①③</sup>	Group A Subgroup	MSK 5230H SERIES			MSK 5230 SERIES			Units
			Min.	Typ.	Max.	Min.	Typ.	Max.	
Output Voltage Tolerance	$I_{OUT} = 10\text{mA}; V_{IN} = V_{OUT} + 1\text{V}$	1	-	$\pm 0.5$	$\pm 1.0$	-	$\pm 0.5$	$\pm 1.0$	%
		2, 3	-	$\pm 1.0$	$\pm 2.0$	-	-	-	%
Dropout Voltage <sup>②</sup>	$\Delta V_{OUT} = -1\%; I_{OUT} = 100\text{mA}$	1	-	80	200	-	80	225	mV
	$\Delta V_{OUT} = -1\%; I_{OUT} = 3\text{A}$	1	-	350	600	-	350	625	mV
Load Regulation	$V_{IN} = V_{OUT} + 5\text{V}$ $10\text{mA} \leq I_{OUT} \leq 3\text{A}$	1	-	$\pm 0.2$	$\pm 1.0$	-	$\pm 0.2$	$\pm 1.2$	%
		2, 3	-	$\pm 0.3$	$\pm 2.0$	-	$\pm 0.3$	-	%
Line Regulation	$(V_{OUT} + 1\text{V}) \leq V_{IN} \leq 26\text{V}$ $I_{OUT} = 10\text{mA}$	1	-	$\pm 0.05$	$\pm 0.5$	-	$\pm 0.05$	$\pm 0.6$	%
		2, 3	-	$\pm 0.5$	$\pm 1.0$	-	$\pm 0.5$	-	%
Output Current Limit <sup>②</sup>	$V_{OUT} = 0\text{V}; V_{IN} = V_{OUT} + 1\text{V}$	-	-	4.5	5.0	-	4.5	5.0	A
Ground Current <sup>②⑧</sup>	$V_{IN} = V_{OUT} + 1\text{V}; I_{OUT} = 1.5\text{A}$	-	-	10	35	-	10	35	mA
	$V_{IN} = V_{OUT} + 1\text{V}; I_{OUT} = 3\text{A}$	-	-	32	-	-	32	-	mA
Output Noise <sup>②</sup>	$C_L = 20\mu\text{F}; 10\text{Hz} \leq f \leq 100\text{KHz}$	-	-	400	-	-	400	-	$\mu\text{V}$
Thermal Resistance <sup>②</sup>	Junction to Case	-	-	2.5	2.8	-	2.5	3.0	°C/W
Thermal Shutdown <sup>②</sup>	$T_J$	-	-	130	-	-	130	-	°C

PART NUMBER	OUTPUT VOLTAGE <sup>⑦</sup>
MSK5230-2.5	+2.5V
MSK5230-3.3	+3.3V
MSK5230-5.0	+5.0V
MSK5230-12	+12.0V

### NOTES:

- ① Output decoupled to ground using 20 $\mu\text{F}$  minimum capacitor unless otherwise specified.
- ② This parameter is guaranteed by design but need not be tested.  
Typical parameters are representative of actual device performance but are for reference only.
- ③ All output parameters are tested using a low duty cycle pulse to maintain  $T_J = T_C$ .
- ④ Industrial grade devices shall be tested to subgroup 1 unless otherwise specified.
- ⑤ Military grade devices ('H' suffix) shall be 100% tested to subgroups 1,2,3.
- ⑥ Subgroup 1  $T_C = +25^\circ\text{C}$   
Subgroup 2  $T_J = +125^\circ\text{C}$   
Subgroup 3  $T_A = -55^\circ\text{C}$
- ⑦ Please consult the factory if alternate output voltages are required.
- ⑧ The MSK 5230-2.5 has an additional 10 mA of Quiescent Current.

## APPLICATION NOTES

### REGULATOR PROTECTION:

The MSK 5230 series is fully protected against reversed input polarity, overcurrent faults, overtemperature conditions ( $P_d$ ) and transient voltage spikes of up to 60V. If the regulator is used in dual supply systems where the load is returned to a negative supply, the output voltage must be diode clamped to ground.

### OUTPUT CAPACITOR:

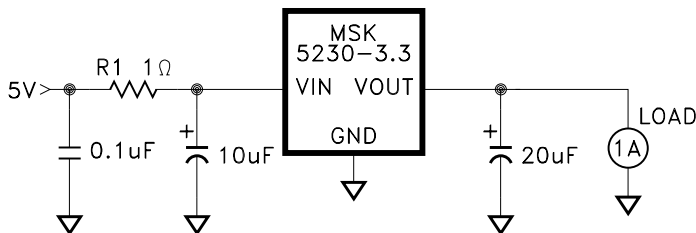
The output voltage ripple of the MSK 5230 series voltage regulators can be minimized by placing a filter capacitor from the output to ground. The optimum value for this capacitor may vary from one application to the next, but a minimum of  $20\mu\text{F}$  is recommended for optimum performance. Transient load response can also be improved by placing a capacitor directly across the load. The capacitor should not be an ultra-low ESR type. Tantalum capacitors are best for fast load transients but aluminum electrolytics will work fine in most applications.

### LOAD CONNECTIONS:

In voltage regulator applications where very large load currents are present, the load connection is very important. The path connecting the output of the regulator to the load must be extremely low impedance to avoid affecting the load regulation specifications. Any impedance in this path will form a voltage divider with the load. The MSK 5230 series requires a minimum of 10mA of load current to stay in regulation.

### MINIMIZING POWER DISSIPATION:

Many applications can not take full advantage of the extremely low dropout specifications of the regulator due to large input to output voltage differences. The simple circuit below illustrates a method to reduce the input voltage at the regulator to just over the dropout specification to keep the internal power dissipation minimized:



For a given continuous maximum load of 1 amp,  $R_1$  can be selected to drop the voltage seen at the regulator to 4V. This allows for the output tolerance and dropout specifications. Input voltage variations (5V) also should be included in the calculations. The resistor should be sized according to the power levels required for the application.

### PACKAGE CONNECTIONS:

The MSK 5230 series are highly thermally conductive devices and the thermal path from the package heat sink to the internal junctions is very short. Standard surface mount soldering techniques should be used when mounting the device. Some applications may require additional heat sinking of the device.

### HEAT SINK SELECTION:

To select a heat sink for the MSK 5230, the following formula for convective heat flow may be used.

Governing Equation:

$$T_j = P_d \times (R_{\theta jc} + R_{\theta cs} + R_{\theta sa}) + T_a$$

WHERE:

$T_j$  = Junction Temperature

$P_d$  = Total Power Dissipation

$R_{\theta jc}$  = Junction to Case Thermal Resistance

$R_{\theta cs}$  = Case to Heat Sink Thermal Resistance

$R_{\theta sa}$  = Heat Sink to Ambient Thermal Resistance

$T_a$  = Ambient Temperature

First, the power dissipation must be calculated as follows:

$$\text{Power Dissipation} = (V_{in} - V_{out}) \times I_{out}$$

Next, the user must select a maximum junction temperature. The absolute maximum allowable junction temperature is  $125^\circ\text{C}$ . The equation may now be rearranged to solve for the required heat sink to ambient thermal resistance ( $R_{\theta sa}$ ).

### EXAMPLE:

An MSK 5230-3.3 is configured for  $V_{in} = +5\text{V}$  and  $V_{out} = +3.3\text{V}$ .  $I_{out}$  is a continuous 1A DC level. The ambient temperature is  $+25^\circ\text{C}$ . The maximum desired junction temperature is  $125^\circ\text{C}$ .

$R_{\theta jc} = 2.5^\circ\text{C/W}$  and  $R_{\theta cs} = 0.5^\circ\text{C/W}$  typically.

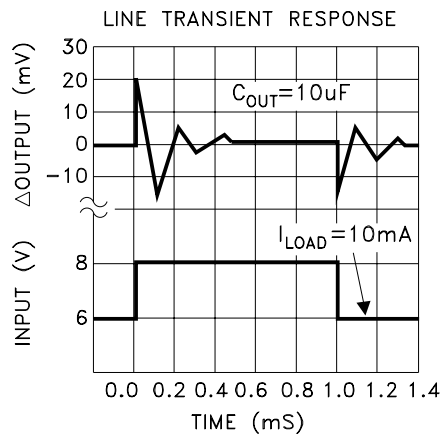
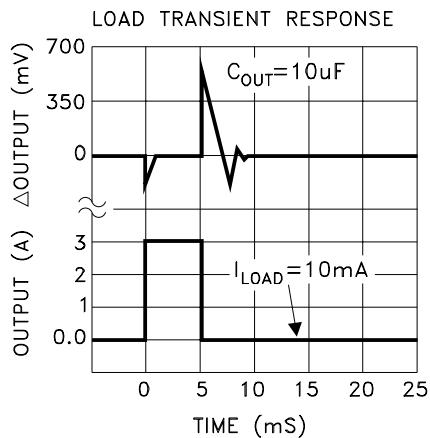
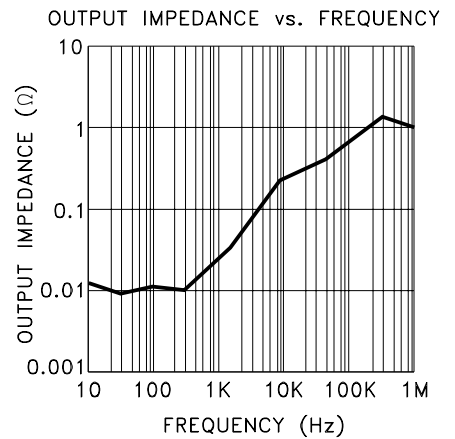
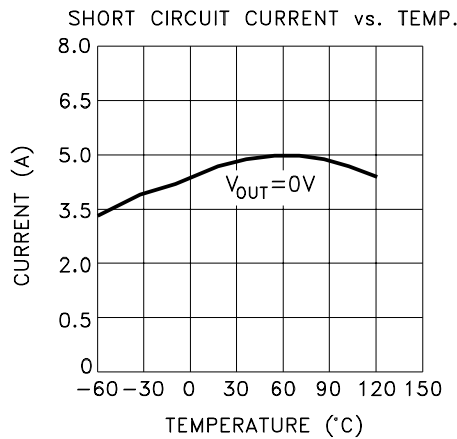
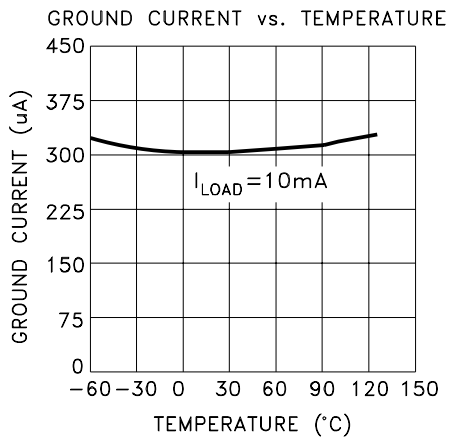
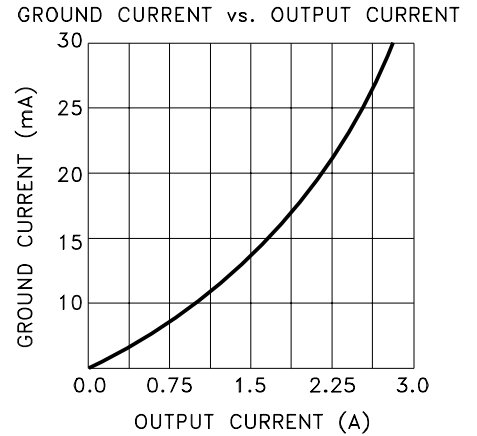
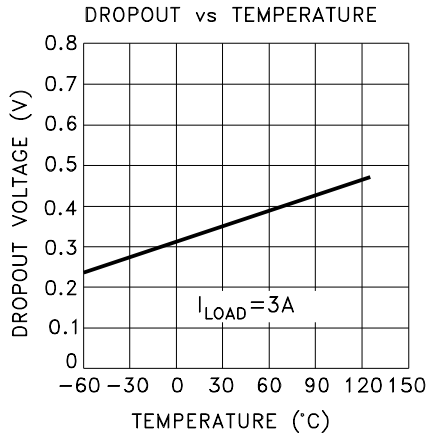
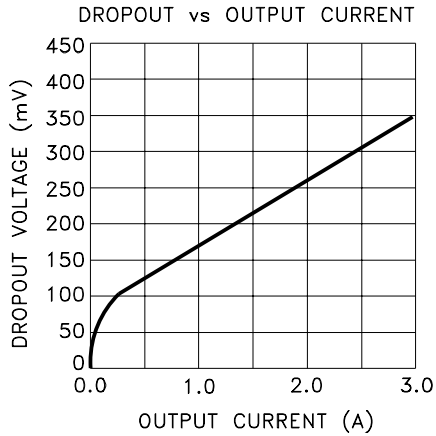
$$\begin{aligned} \text{Power Dissipation} &= (5\text{V} - 3.3\text{V}) \times (1\text{A}) \\ &= 1.7 \text{ Watts} \end{aligned}$$

Solve for  $R_{\theta sa}$ :

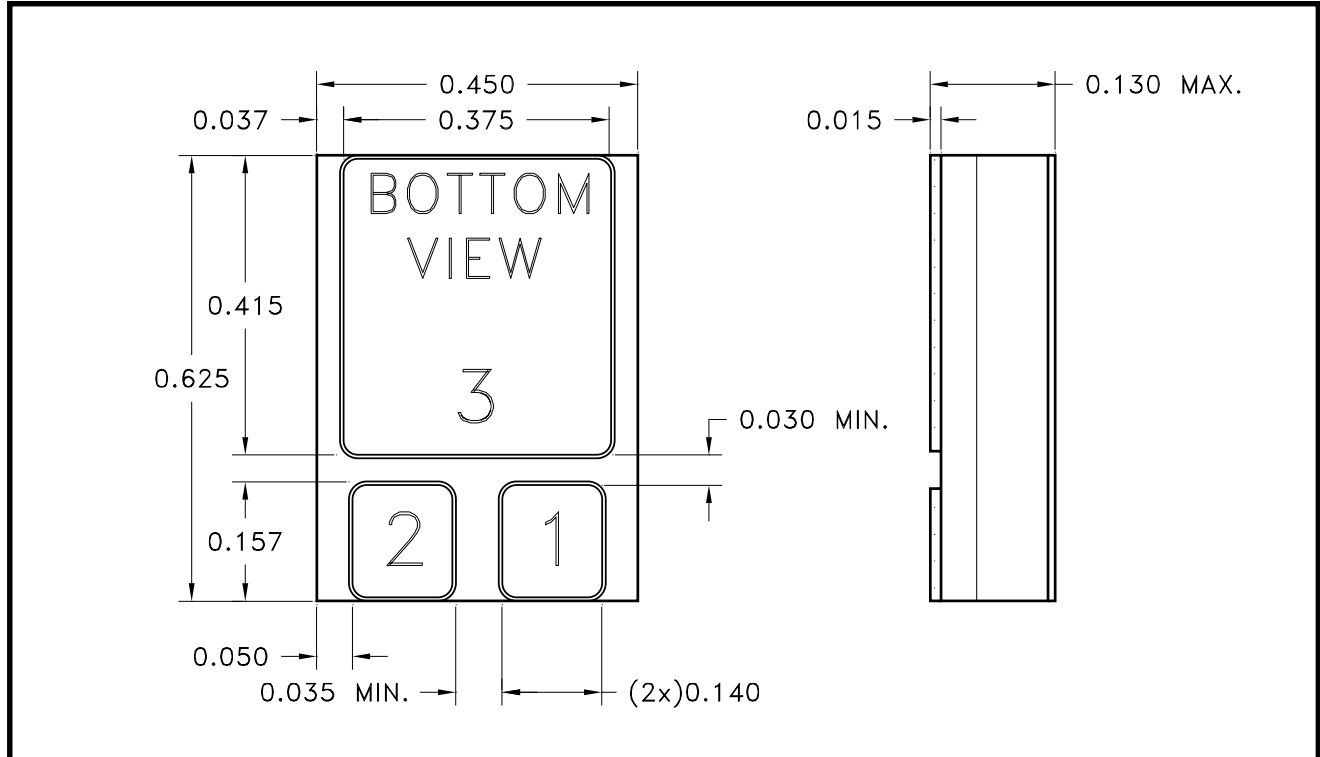
$$R_{\theta sa} = \left[ \frac{125^\circ\text{C} - 25^\circ\text{C}}{1.7\text{W}} \right] - 2.5^\circ\text{C/W} - 0.5^\circ\text{C/W}$$

In this example, a heat sink with a thermal resistance of no more than  $53^\circ\text{C/W}$  must be used to maintain a junction temperature of no more than  $125^\circ\text{C}$ .

# TYPICAL PERFORMANCE CURVES



## MECHANICAL SPECIFICATIONS



**NOTE:** ALL DIMENSIONS ARE  $\pm 0.010$  INCHES UNLESS OTHERWISE LABELED.

## ORDERING INFORMATION

MSK5230-3.3 H

SCREENING

BLANK = INDUSTRIAL; H = MIL-PRF-38534

OUTPUT VOLTAGE

2.5 = +2.5V; 3.3 = +3.3V; 5.0 = +5.0V; 12 = +12.0V

GENERAL PART NUMBER

The above example is a +3.3V, Military regulator.

M.S. Kennedy Corp.  
 4707 Dey Road, Liverpool, New York 13088  
 Phone (315) 701-6751  
 FAX (315) 701-6752  
 www.mskennedy.com

The information contained herein is believed to be accurate at the time of printing. MSK reserves the right to make changes to its products or specifications without notice, however, and assumes no liability for the use of its products.