

Customer Information Sheet

DRAWING No.: M80-542XXXX

SHEET 2 OF 2

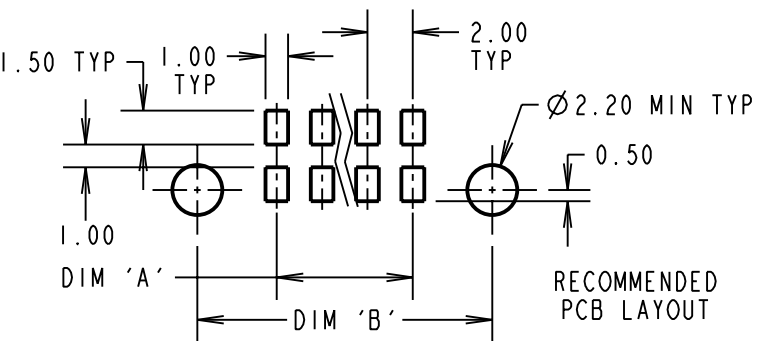
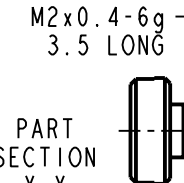
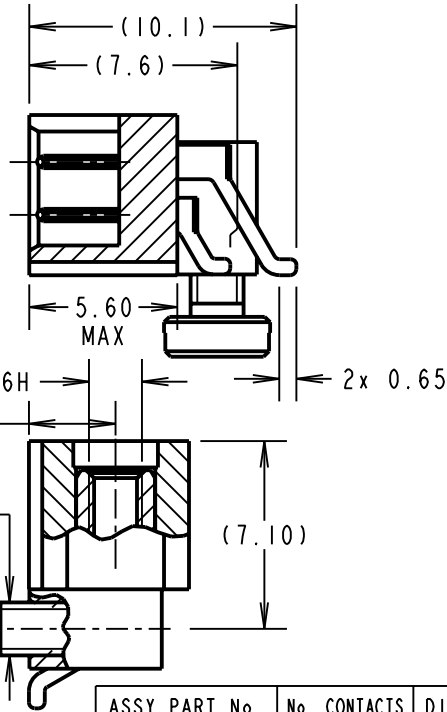
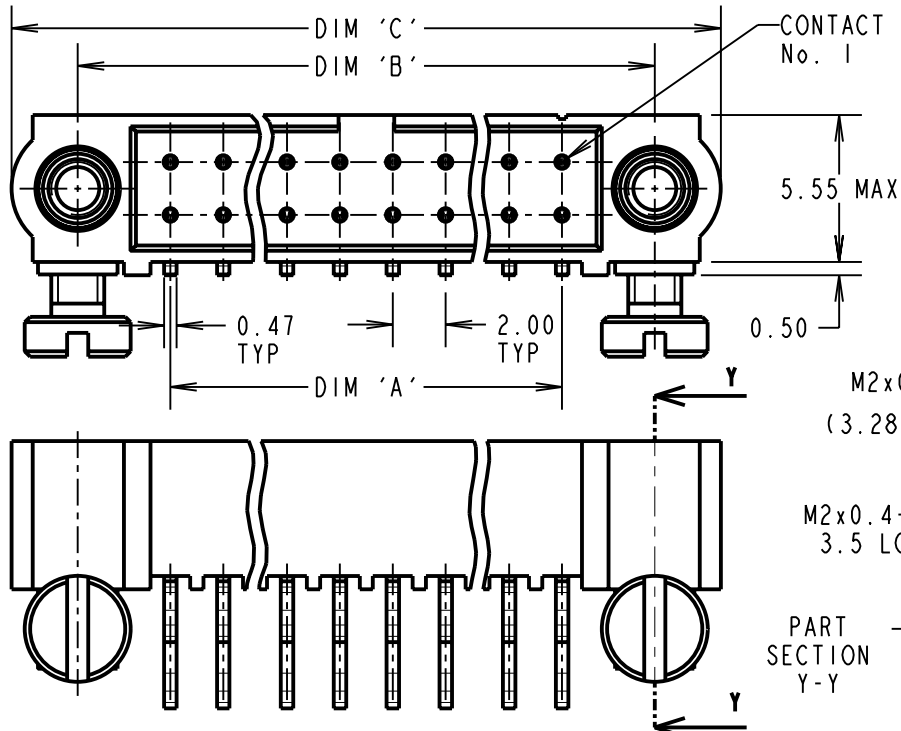
IF IN DOUBT - ASK

©

NOT TO SCALE

THIRD ANGLE PROJECTION

ALL DIMENSIONS IN mm

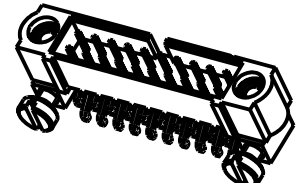


ORDER CODE:
M80-542XXXX

No. OF CONTACTS
 06, 10, 12, 14, 18, 20
 22, 26, 34, 42, 44, 50

FINISH
 05 - GOLD ALL OVER
 22 - GOLD, 90/10 TIN/LEAD
 42 - GOLD, 100% TIN

SPECIFICATIONS:
MATERIAL:
 MOULDING = GLASS-FILLED PPS, UL94V-0, BLACK
 CONTACT = BRASS
 JACKSCREW = STAINLESS STEEL
FINISH:
 22 = 0.75µ GOLD ON CONTACT AREA,
 0.3µ 90/10 TIN/LEAD ON TAILS
 42 = 0.75µ GOLD ON CONTACT AREA,
 0.3µ 100% TIN ON TAILS
 05 = 0.75µ GOLD ALL OVER
ELECTRICAL:
 CURRENT RATING AT 25°C = 3.0A MAX
 CURRENT RATING AT 85°C = 2.2A MAX
 WORKING VOLTAGE = 120V AC/DC
 VOLTAGE PROOF = 360V AC/DC
 CONTACT RESISTANCE = 25 mΩ MAX
 INSULATION RESISTANCE = 100 MΩ MIN
MECHANICAL:
 DURABILITY = 500 OPERATIONS
ENVIRONMENTAL:
 TEMPERATURE RANGE = -55°C TO +125°C
PACKING: TUBE
 FOR COMPLETE SPECIFICATION, SEE COMPONENT SPECIFICATION C005XX (LATEST ISSUE)



ASSY PART No.	No. CONTACTS	DIM 'A'	DIM 'B'	DIM 'C'
M80-54206XX	6	4.00	11.00	16.00
M80-54210XX	10	8.00	15.00	20.00
M80-54212XX	12	10.00	17.00	22.00
M80-54214XX	14	12.00	19.00	24.00
M80-54218XX	18	16.00	23.00	28.00
M80-54220XX	20	18.00	25.00	30.00
M80-54222XX	22	20.00	27.00	32.00
M80-54226XX	26	24.00	31.00	36.00
M80-54234XX	34	32.00	39.00	44.00
M80-54242XX	42	40.00	47.00	52.00
M80-54244XX	44	42.00	49.00	54.00
M80-54250XX	50	48.00	55.00	60.00

CP	4	30.04.10	10772
NAME	ISS.	DATE	C/NOTE
APPROVED: C. PENROSE			
CHECKED: R. ADDE			
DRAWN: W. J. BOURNE			
CUSTOMER REF.:			
ASSEMBLY DRG:			

HARWIN

HARWIN USA
 TEL: 603 893 5376
 FAX: 603 893 5396
 mis@harwin.com

HARWIN Europe (UK)
 TEL: 023 9231 4545
 FAX: 023 9231 4590
 mis@harwin.co.uk

HARWIN Asia
 TEL: +65 6 779 4909
 FAX: +65 6 779 3868
 mis@harwin.com.sg

THIS DRAWING AND ANY INFORMATION OR DESCRIPTIVE MATTER SET OUT HEREON ARE CONFIDENTIAL AND COPYRIGHT PROPERTY OF THE HARWIN GROUP AND MUST NOT BE DISCLOSED, LOANED, COPIED OR USED FOR MANUFACTURING, TENDERING OR FOR ANY OTHER PURPOSE WITHOUT THEIR WRITTEN PERMISSION.

TOLERANCES
 X. = ±1mm
 X.X = ±0.25mm
 X.XX = ±0.10mm
 X.XXX = ±0.01mm

ANGLES = ±5°
 UNLESS STATED

MATERIAL:
 SEE ABOVE

FINISH: SEE ABOVE

S/AREA: mm²

TITLE: JACKSCREW DATAMATE
 DIL HORIZONTAL SMT MALE
 ASSEMBLY (BOARD MOUNT)

DRAWING NUMBER:
M80-542XXXX

SHT 2 OF 2