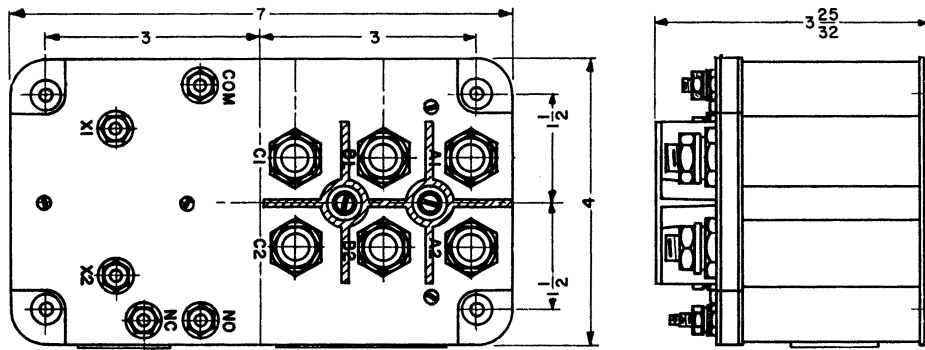


A-874L 3PST, 335 Amps, 200 VAC, 400 Hz

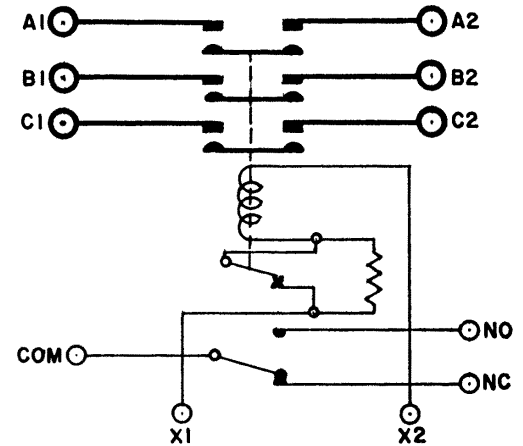


Features:

- 3PST Main Contacts
- Economizing Coil
- 200 VAC, 400 Hz
- 335 Amps
- High Reliability
- Meets many requirements of MIL-R-6106



CONTACTOR CONFIGURATION



Dimensions for this product are expressed in inches.
Multiply values by 25.4 for millimeters.

PRODUCT SPECIFICATIONS	
Construction	Gasket Sealed, Vented
Main Contacts:	
Configuration	3PST N.O.
Voltage (Nominal)	200 VAC, 400 Hz
Current	335 Amps
Auxiliary Contacts:	
Configuration	SPDT
Voltage (Nominal)	28 VDC or 115/208 VAC, 400 Hz
Current	
Resistive	5 Amps
Inductive	3 Amps
Coil Data:	
Duty Cycle	Continuous, Economizing
Voltage (Nominal)	28 VDC
Pick-Up Voltage	< 18 VDC
Drop-Out Voltage	1 > 10 VDC
Coil Current @t 28 VDC & +25°C	
In-Rush	.94 Amps
Hold	.63 Amps
Operating Temperature	-55°C to +71°C
Life:	
Electrical	50,000 Cycles
Mechanical	100,000 Cycles
Weight	4 Lbs. 12 Oz.

Notes:

For factory-direct application assistance, contact the HARTMAN product team at (419) 521-9500, Fax (419) 526-2749.

© 2004 by Tyco Electronics Corporation. All Rights Reserved.
HARTMAN and TYCO are trademarks.