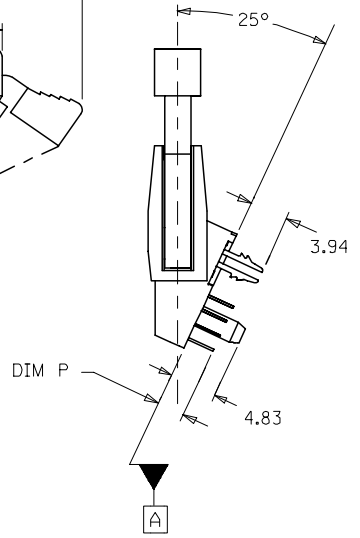
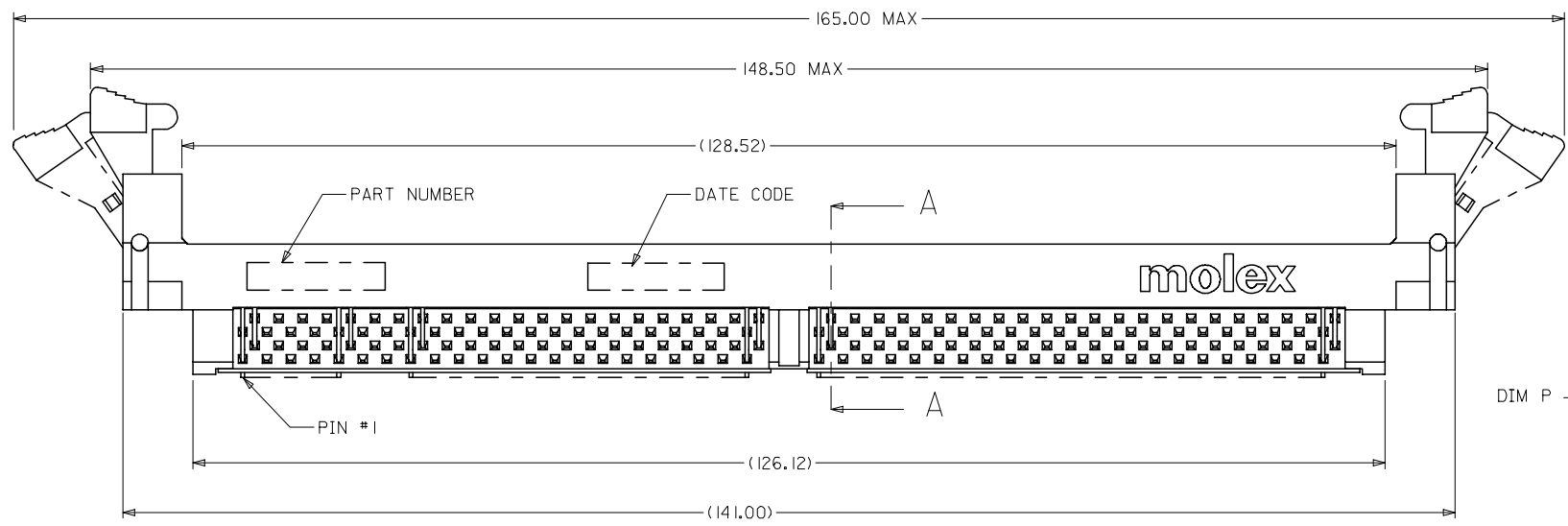
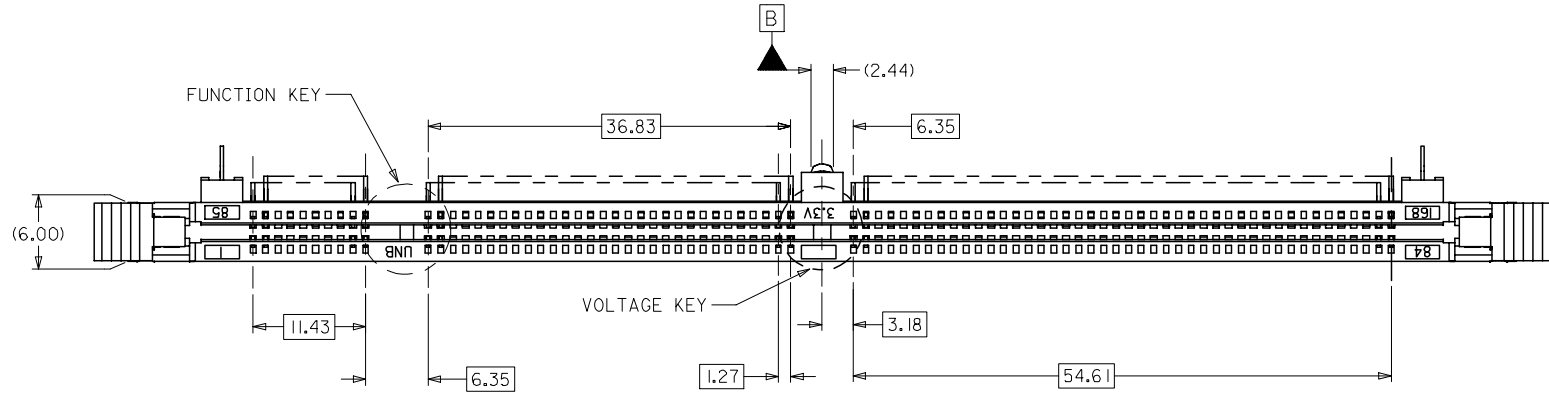


10 9 8 7 6 5 4 3 2 1



- NOTES:
- MATERIALS: HOUSING - LCP, GLASS FILLED, UL 94V-0
COLOR: BLACK
LATCH - HIGH TEMP NYLON, GLASS FILLED, UL94V-0
COLOR: BEIGE
TERMINAL AND FORKLOCK - COPPER ALLOY
 - FINISHES: CONTACT AREA: SEE TABLE ON SHEET 4
SOLDER TAILS: 2.54UM/100UM MIN, TIN
 - PRODUCT SPECIFICATIONS: PS-87587-007 FOR PERFORMANCE SPECIFICATIONS.
 - DATE CODE SHALL BE MARKED LEGIBLY AS SHOWN: XX XXX
YEAR DAY
 - PART NUMBER SHALL BE MARKED LEGIBLY AS SHOWN: 87587-0XXX
REFER TO THE TABLE

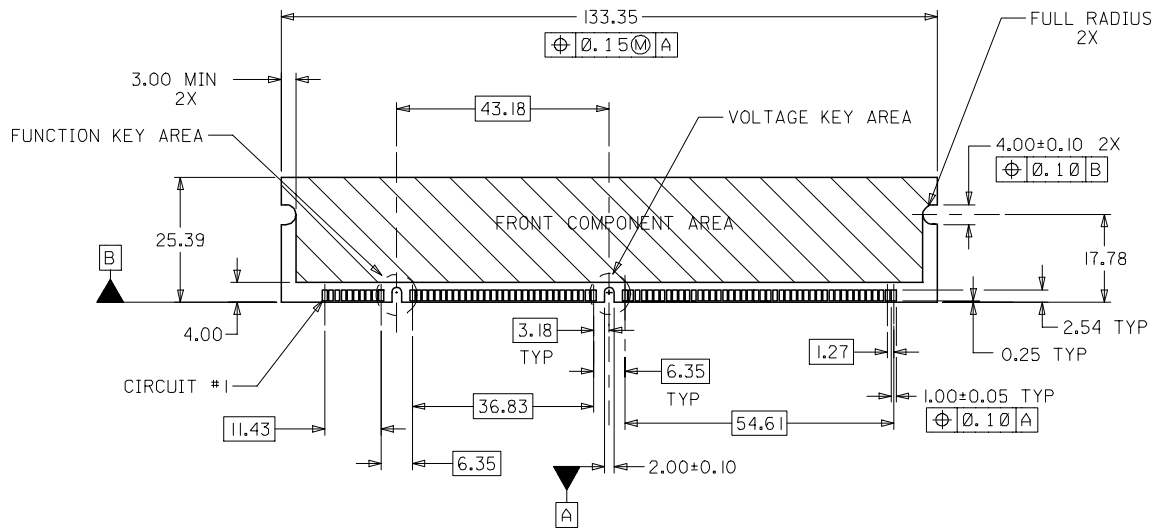
OBS TIN/LEAD P/N EC NO: S2006-0734 DRWN:MLONG CHKD:HO APPR:GGLLEE	2006/02/27	QUALITY SYMBOLS ▽=0 ▽=0	DESCRIPTION
	2006/02/28		
	2006/03/01		
D	REV		

GENERAL TOLERANCES (UNLESS SPECIFIED)	
mm	INCH
4 PLACES ± ---	± ---
3 PLACES ± ---	± ---
2 PLACES ± 0.25	± ---
1 PLACE ± ---	± ---
ANGULAR ± 5 °	
DRAFT WHERE APPLICABLE MUST REMAIN WITHIN DIMENSIONS	

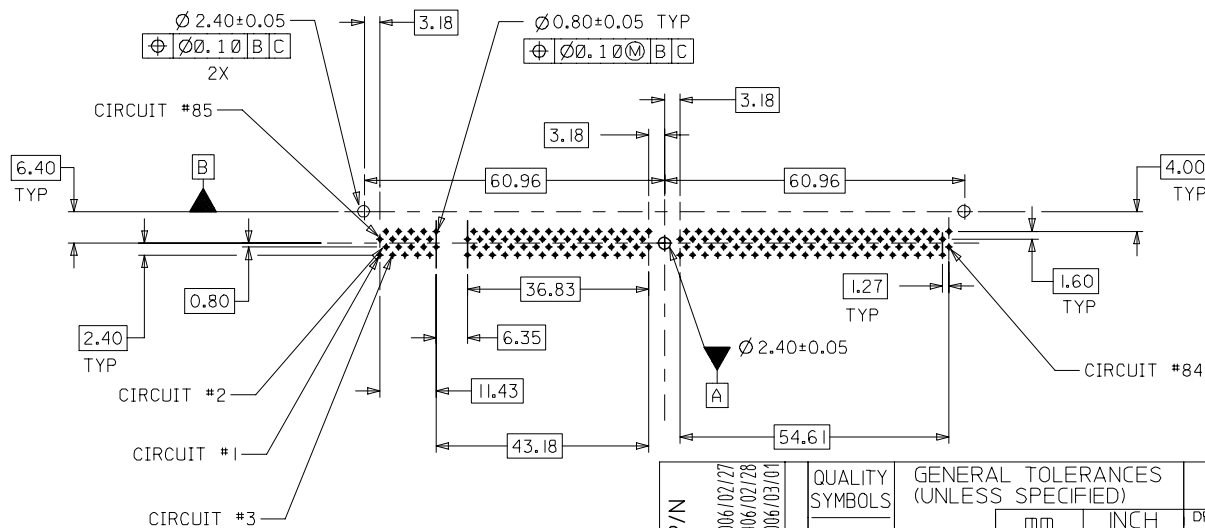
DIMENSION STYLE MM ONLY	
DRAWN BY	DATE
LPL IM	1999/03/19
CHECKED BY	DATE
KCL ING	1999/06/14
APPROVED BY	DATE
SKT0H	1999/06/15
MATERIAL NO.	
SEE TABLE	

SCALE	DESIGN UNITS	THIRD ANGLE PROJECTION
NTS	METRIC	☉
DIMM, 1.27MM PITCH 168 CKTS, MULTI-KEY 25 DEG		
MOLEX INCORPORATED		
DOCUMENT NO.	SHEET NO.	
SD-87587-001	1 OF 4	
THIS DRAWING CONTAINS INFORMATION THAT IS PROPRIETARY TO MOLEX INCORPORATED AND SHOULD NOT BE USED WITHOUT WRITTEN PERMISSION		

9 8 7 6 5 4 3 2 1

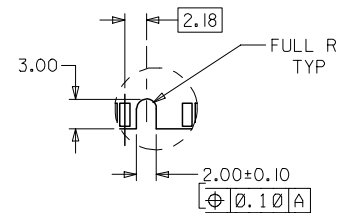


RECOMMENDED MODULE LAYOUT
(PER JEDEC STANDARD MO-161, 168 CKT. 3.3V)

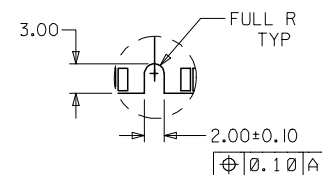


RECOMMENDED
P.C. BOARD HOLE PATTERN
(CONNECTOR SIDE)

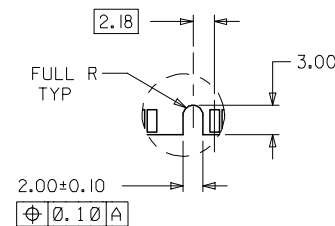
FUNCTION KEY AREA OPTIONS
(REFER ALSO TO TABLE ON SHT. 3)



OFFSET LEFT KEY



CENTERED KEY



OFFSET RIGHT KEY

OBS	TIN/LEAD P/N	2006/02/27
EC NO:	S2006-0734	2006/02/28
DRWN:	MJL	2006/02/28
CHKD:	HO	2006/03/01
APPR:	GLEE	
REV	DESCRIPTION	

QUALITY SYMBOLS	▽=0
	∇=0

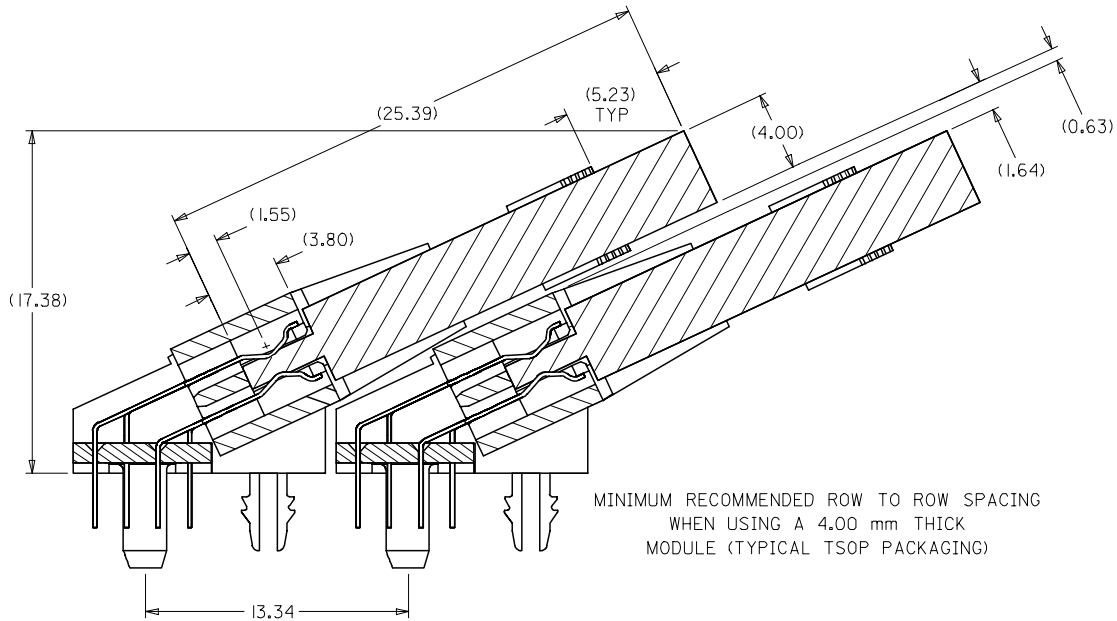
GENERAL TOLERANCES (UNLESS SPECIFIED)	
	mm
	INCH
4 PLACES	± --- ± ---
3 PLACES	± --- ± ---
2 PLACES	± 0.25 ± ---
1 PLACE	± --- ± ---
ANGULAR ± 5 °	
DRAFT WHERE APPLICABLE MUST REMAIN WITHIN DIMENSIONS	

DIMENSION STYLE		SCALE	DESIGN UNITS	THIRD ANGLE PROJECTION
MM ONLY		NTS	METRIC	
DRAWN BY	DATE	TITLE		
LPL IM	1999/03/19	DIMM, 1.27MM PITCH		
CHECKED BY	DATE	168 CKTS, MULTI-KEY		
KCL ING	1999/06/14	25 DEG		
APPROVED BY	DATE	MOLEX INCORPORATED		
SKTOH	1999/06/15	MOLEX INCORPORATED		
MATERIAL NO.	DOCUMENT NO.	SHEET NO.		
SEE TABLE	SD-87587-001	2 OF 4		

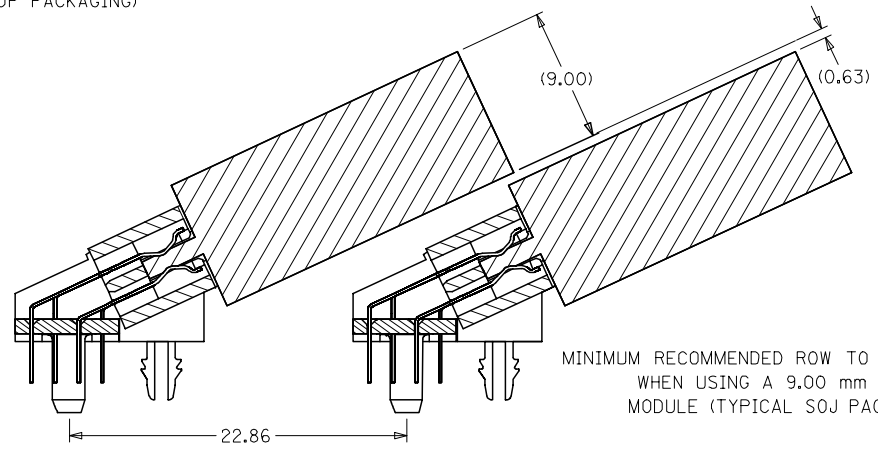
DRAWN BY		DATE	TITLE	
LPL IM		1999/03/19	DIMM, 1.27MM PITCH	
CHECKED BY		DATE	168 CKTS, MULTI-KEY	
KCL ING		1999/06/14	25 DEG	
APPROVED BY		DATE	MOLEX INCORPORATED	
SKTOH		1999/06/15	MOLEX INCORPORATED	
MATERIAL NO.	DOCUMENT NO.	SHEET NO.		
SEE TABLE	SD-87587-001	2 OF 4		

10 9 8 7 6 5 4 3 2 1

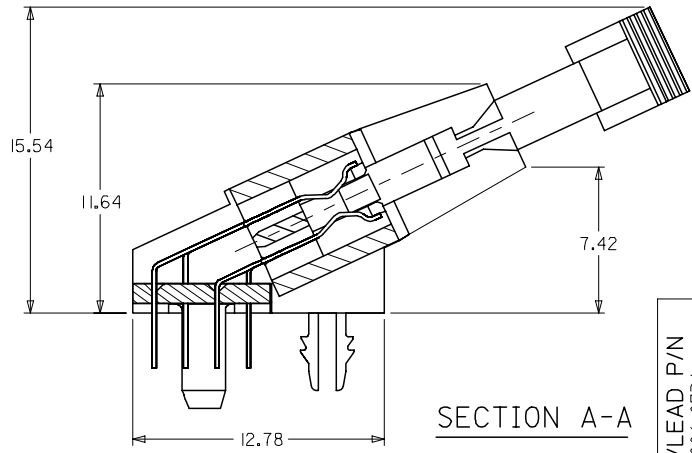
F
E
D
C
B
A



MINIMUM RECOMMENDED ROW TO ROW SPACING
WHEN USING A 4.00 mm THICK
MODULE (TYPICAL TSOP PACKAGING)



MINIMUM RECOMMENDED ROW TO ROW SPACING
WHEN USING A 9.00 mm THICK
MODULE (TYPICAL SOJ PACKAGING)



SECTION A-A

OBS	TIN/LEAD P/N
EC NO:	S2006-0734
DRWN:	M:LONG 2006/02/27
CHKD:	I:HO 2006/02/28
APPR:	G:GLEE 2006/03/01
REV	D

QUALITY SYMBOLS	DESCRIPTION
▽=0	
▽=0	

GENERAL TOLERANCES (UNLESS SPECIFIED)	
	mm
	INCH
4 PLACES	± ---
3 PLACES	± ---
2 PLACES	± 0.25
1 PLACE	± ---
ANGULAR ± 5 °	
DRAFT WHERE APPLICABLE MUST REMAIN WITHIN DIMENSIONS	

DIMENSION STYLE	
MM ONLY	
DRAWN BY	DATE
LPL IM	1999/03/19
CHECKED BY	DATE
KCL ING	1999/06/14
APPROVED BY	DATE
SKT0H	1999/06/15
MATERIAL NO.	SEE TABLE

SCALE	DESIGN UNITS	THIRD ANGLE PROJECTION
NTS	METRIC	
TITLE		
DIMM, 1.27MM PITCH		
168 CKTS, MULTI-KEY		
25 DEG		
MOLEX INCORPORATED		
DOCUMENT NO.	SHEET NO.	
SD-87587-001	3 OF 4	
THIS DRAWING CONTAINS INFORMATION THAT IS PROPRIETARY TO MOLEX INCORPORATED AND SHOULD NOT BE USED WITHOUT WRITTEN PERMISSION		

9 8 7 6 5 4 3 2 1

10 9 8 7 6 5 4 3 2 1

PART NUMBER	FUNCTION KEY	DATUM VOLTAGE KEY	TAIL LENGTH P±0.25	FINISHES: CONTACT AREA
87587-2048	LEFT	CENTER (3.3V)	2.79	SELECTIVE GOLD 0.38µM/15µ" MIN. GOLD OVER 1.27µM/50µ" MIN. NICKEL
87587-2049	CENTER		↓	
87587-2050	RIGHT		↓	
87587-2057	LEFT		3.18	
87587-2058	CENTER		↓	
87587-2059	RIGHT		↓	SELECTIVE GOLD 0.76µM/30µ" MIN. GOLD OVER 1.27µM/50µ" MIN. NICKEL
87587-2148	LEFT		2.79	
87587-2149	CENTER		↓	
87587-2150	RIGHT		↓	
87587-2157	LEFT		3.18	
87587-2158	CENTER		↓	
87587-2159	RIGHT		↓	

F

E

D

C

B

A

OBS TIN/LEAD P/N EC NO: S2006-0734 DRWN:MLONG CHKD:IHO APPR:GJLEE	2006/02/27 2006/02/28 2006/03/01	DESCRIPTION REV	QUALITY SYMBOLS	GENERAL TOLERANCES (UNLESS SPECIFIED)	DIMENSION STYLE	SCALE	DESIGN UNITS	THIRD ANGLE PROJECTION		
			▽=0 ▽=0	mm INCH 4 PLACES ± --- ± --- 3 PLACES ± --- ± --- 2 PLACES ± 0.25 ± --- 1 PLACE ± --- ± --- ANGULAR ± 5 °	MM ONLY	NTS	METRIC			
					DRAWN BY	DATE	TITLE			
					CHECKED BY	DATE	DIMM, 1.27MM PITCH 168 CKTS, MULTI-KEY 25 DEG			
					APPROVED BY	DATE	MOLEX INCORPORATED			
				MATERIAL NO.	DOCUMENT NO.	SHEET NO.				
				SEE TABLE	SD-87587-001	4 OF 4				
				DRAFT WHERE APPLICABLE MUST REMAIN WITHIN DIMENSIONS						
				THIS DRAWING CONTAINS INFORMATION THAT IS PROPRIETARY TO MOLEX INCORPORATED AND SHOULD NOT BE USED WITHOUT WRITTEN PERMISSION						

9 8 7 6 5 4 3 2 1