

NOTES:

1.MATERIAL:

HOUSING: THERMAL PLASTIC, GLASS FILLED, UL94V-0, COLOR: BLACK,
 COVER: THERMAL PLASTIC, COLOR : BLACK
 TERMINAL: COPPER ALLOY

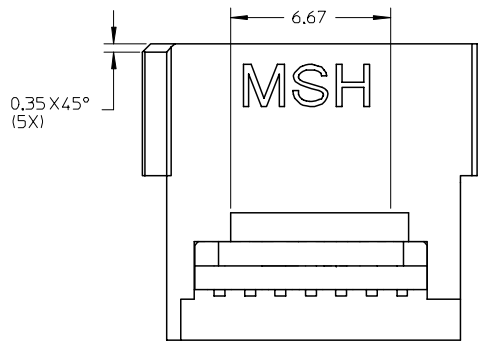
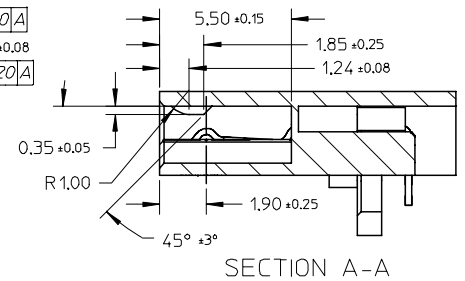
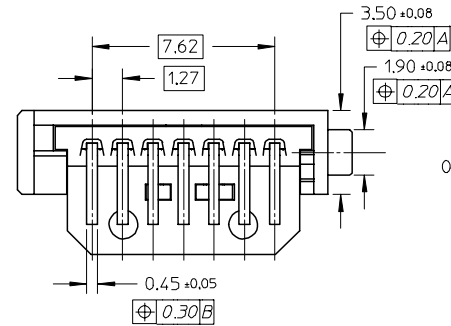
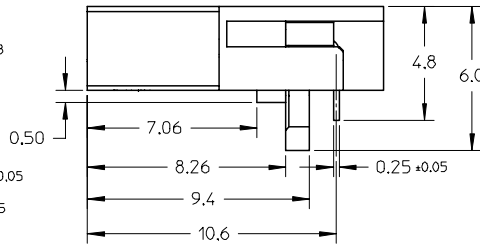
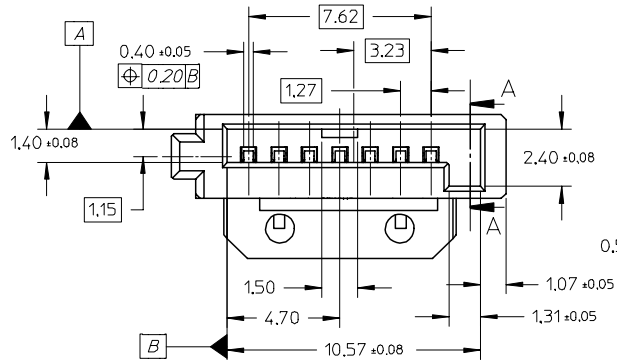
2.TERMINAL :

CONTACT AREA: GOLD PLATED.
 SOLDER TAIL: TIN, THICKNESS=1.27 MICRONS MINIMUM
 UNDER PLATE: NICKEL, THICKNESS=1.27 MICRONS MINIMUM

3.PACKAGING : TRAY

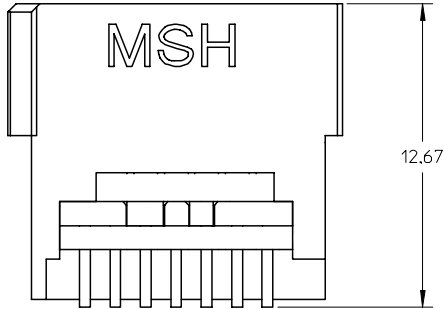
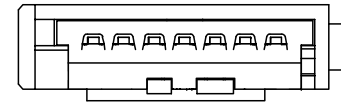
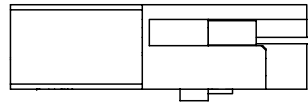
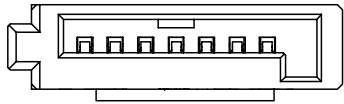
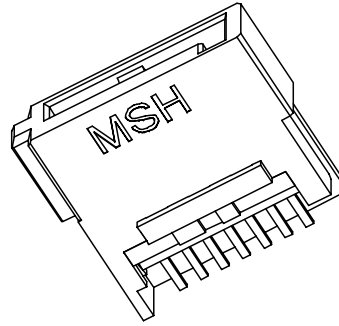
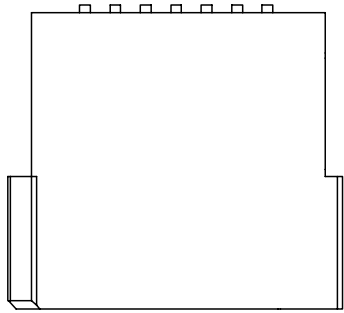
4.PRODUCT SPECIFICATION REFER TO PS-67490-00*

5 MATING PART 67490,67491,67811,47080 SERIES



P/N	PLATING TYPE
67489-1001	GOLD FLASH
67489-1002	GOLD PLATED 0.76 MICRONS
67489-1005	GOLD PLATED 0.38 MICRONS

EC NO: SH2004-0185 DRWN:GRMA 2004/12/28 CHKD:GRATE 2004/12/30 APPR:YTYAP 2004/12/30	QUALITY SYMBOLS ▽ = 0 ▽ = 0	GENERAL TOLERANCES (UNLESS SPECIFIED)		SCALE 5:1	DESIGN UNITS METRIC	THIRD ANGLE PROJECTION	REVISE ON CAD ONLY
		4 PLACES ± --- ± --- 3 PLACES ± --- ± --- 2 PLACES ± 0.2 ± --- 1 PLACE ± 0.3 ± ---	DIMENSION STYLE MM ONLY	TITLE SERIAL ATA RECEPTACLE SIGNAL CABLE CONNECTOR WITHOUT METAL LATCH			
		ANGULAR ± 1 °		DRAFT WHERE APPLICABLE	MOLEX INCORPORATED		
		MUST REMAIN WITHIN DIMENSIONS		APPROVED BY SAM	DATE 2004/03/25	MATERIAL NO. SEE TABLE	DOCUMENT NO. SD-67489-003



THESE ARE ONLY FOR 67489-800*, OTHERS INFORMATION ARE REFERED TO 67489-1001.

P/N	PLATING TYPE
67489-8001	GOLD FLASH
67489-8002	GOLD PLATED 0.76 MICRONS
67489-8005	GOLD PLATED 0.38 MICRONS

EC NO: SH2004-0185 DRWN: GRMA 2004/12/28 CHKD: GRATE 2004/12/30 APPR: YTYAP 2004/12/30	QUALITY SYMBOLS	GENERAL TOLERANCES (UNLESS SPECIFIED)		SCALE 5:1	DESIGN UNITS METRIC	THIRD ANGLE PROJECTION	REVISE ON CAD ONLY	
	DESCRIPTION ▽ = 0 ◁ = 0		mm	INCH	DIMENSION STYLE MM ONLY		TITLE SERIAL ATA RECEPTACLE SIGNAL CABLE CONNECTOR WITHOUT METAL LATCH	
		4 PLACES	± ---	± ---	DRAWN BY	DATE	GATE MA 2004/03/25	
		3 PLACES	± ---	± ---	CHECKED BY	DATE	YAJUN 2004/03/25	
	2 PLACES	± 0.2	± ---	APPROVED BY		MATERIAL NO.	DOCUMENT NO.	
	1 PLACE	± 0.3	± ---	SAM		SEE TABLE	SD-67489-003	
	ANGULAR ± 1 °		DRAFT WHERE APPLICABLE		SHEET NO.		2 OF 2	
	MUST REMAIN WITHIN DIMENSIONS		THIS DRAWING CONTAINS INFORMATION THAT IS PROPRIETARY TO MOLEX INCORPORATED AND SHOULD NOT BE USED WITHOUT WRITTEN PERMISSION				B	