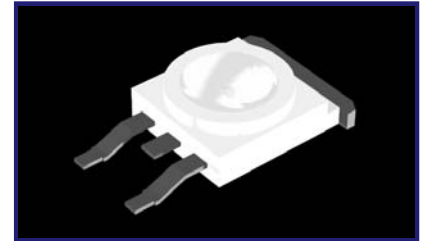
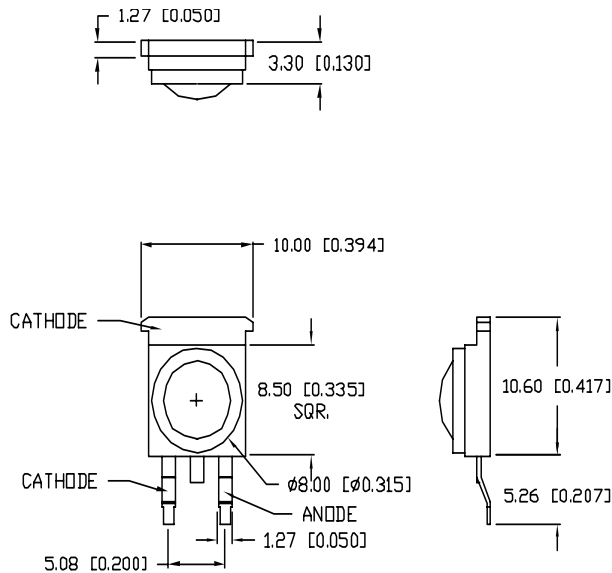


High Power LEDs with Domed Lens



SML-LX1610

AstraLEDs™ with Domed Lens

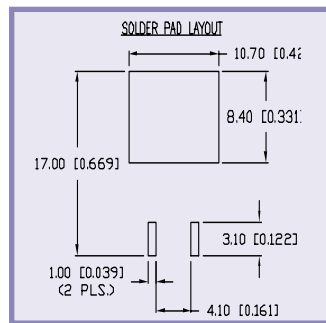


Features/Options

- ▶ State-of-the-Art, High Brightness Chip Technology
- ▶ Choice of Colors and Lens Finishes
- ▶ Easy-to-Solder Leads, Tin Finish
- ▶ SMT package eliminates thru-hole soldering
- ▶ Very Long Operational Life

Applications/Uses

- ▶ LCD Backlighting
- ▶ Illuminating Signs/Artwork
- ▶ Decorative Lighting
- ▶ Warning and Alarm Lights



SML-LX1610 (AstraLEDs™) Package Style

Lumex Part Number	Die Material	Emitted Color	Peak (nm)	Lens	Axial Intensity @ If=350mA	V _f Typ @ If=350mA	View Angle° 2θ
SML-LX1610SIC	AlInGaP	Red	625	Clear	2.1	22 lm	70
SML-LX1610SYC	AlInGaP	Yellow	590	Clear	2.1	22 lm	70
SML-LX1610UPGC	InGaN	Green	525	Clear	3.5	25 lm	70
SML-LX1610USBC	InGaN	Blue	470	Clear	3.5	5 lm	70
SML-LX1610UWC	InGaN	White	-	Clear	3.5	30 lm	70



USA/Canada +1-800-278-5666
Europe +49-6081-964380
Asia +886-3-5821124



www.lumex.com



USA/Canada +1-847-359-8904
Europe +49-6081-964381
Asia +886-3-5821154