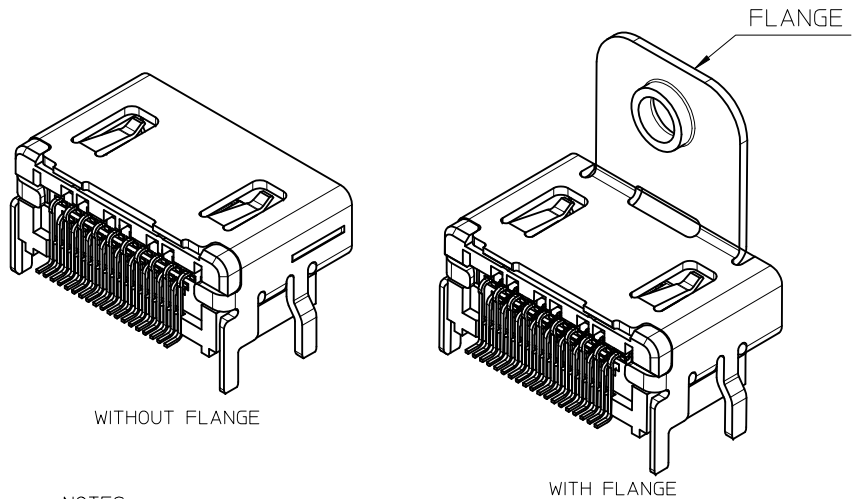
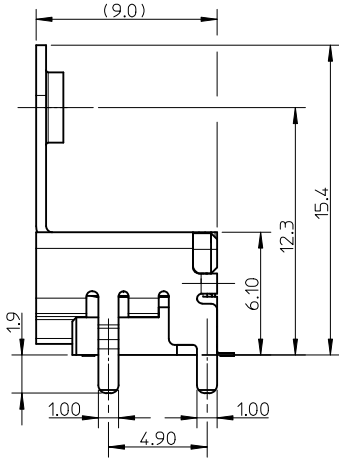
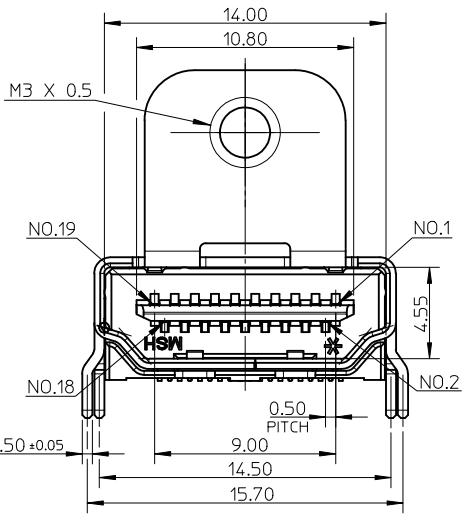
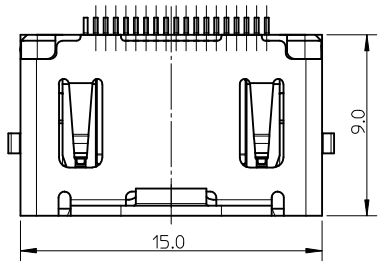
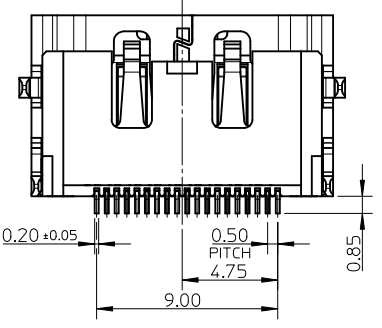


10 9 8 7 6 5 4 3 2 1



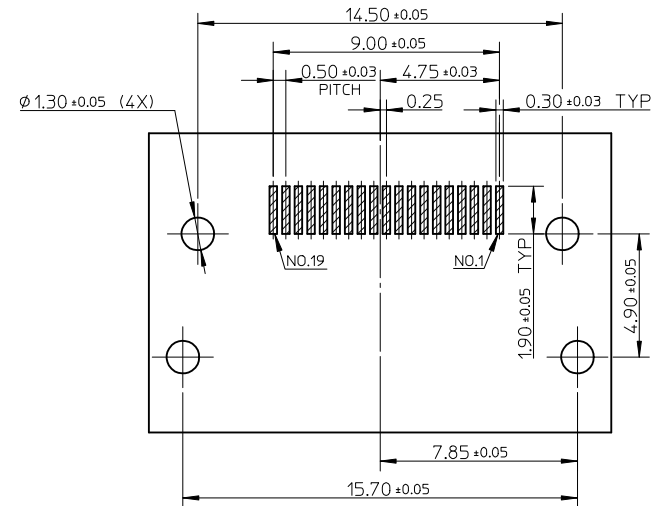
- NOTES:
- MATERIALS:
 - HOUSING: HIGH TEMPERATURE THERMAL PLASTIC. COLOR: SEE TABLE.
 - SHELL: COPPER ALLOY.
 - TERMINAL: COPPER ALLOY.
 - FINISHES:
 - CONTACT AREA: (1) 0.76 MICROMETER MIN. GOLD PLATING. (2) 0.25 MICROMETER MIN. GOLD PLATING. (3) GOLD FLASH. (4) GOLD FLASH OVER PD/NI
 - SOLDER AREA: 1 MICROMETER MIN. TIN-BISMUTH ALLOY PLATING.
 - UNDER PLATE: 1.27 MICROMETER MIN. NICKEL PLATING.
 - SHELL: (1) 1.27 MICROMETER MIN. MATTE TIN PLATING OVERALL. (2) 0.75 MICROMETER MIN. SOLDERABLE NICKEL PLATING OVERALL.
 - PRODUCT SPECIFICATION: PS-47152-001 , TBA FOR PD/NI OPTION
 - PACKAGING SPECIFICATION: SEE TABLE
 - TERMINAL RETENTION FORCE TO BE 0.3kgf Min.
 - COPLANARITY OF ALL TERMINALS IS 0.10mm MAX.
 - PRODUCT COMPLIANT TO RoHS DIRECTIVE 2002/95/EC AND ELV DIRECTIVE 2000/53/EC.



ADD PART NO. EC NO: S2012-0578 DRWN: JZENG 2012/01/18 CH'KD: JESSIE CHUA 2012/03/15 APPR: NAGESHKN 2012/03/19	QUALITY SYMBOLS F=0 F=0 F=0	GENERAL TOLERANCES (UNLESS SPECIFIED)		DIMENSION STYLE MM ONLY		SCALE NTS	DESIGN UNITS METRIC	THIRD ANGLE PROJECTION		
			4 PLACES ± --- ± --- 3 PLACES ± --- ± --- 2 PLACES ± 0.20 ± --- 1 PLACE ± 0.30 ± ---	m.m INCH ± --- ± --- ± 0.20 ± --- ± 0.30 ± ---	DRAWN BY ROST ZHANG	DATE 2005/05/20	TITLE HDMI RECEPTACLE W/SCREW R/A SMT CUSTOMER DRAWING			
		ANGULAR ± 2 °		CHECKED BY GRATE MA	DATE 2005/05/20	MOLEX INCORPORATED				
		DRAFT WHERE APPLICABLE MUST REMAIN WITHIN DIMENSIONS		APPROVED BY XJSONG	DATE 2010/01/26	MATERIAL NO. SEE TABLE	DOCUMENT NO. SD-47266-001	SHEET NO. 1 OF 2		

9 8 7 6 5 4 3 2 1

	10	9	8	7	6	5	4	3	2	1
F	47266-2301	BLACK	SEE NOTE 2(4)	MATTE TIN	WITHOUT FLANGE	TAPE & REEL, PK-47266-001				
	47266-0301				WITH FLANGE	TRAY, PK-47266-002				
	47266-7211	NATURE	SEE NOTE 2(3)	SOLDERABLE NICKEL	WITHOUT FLANGE	TAPE & REEL, PK-47266-001				
	47266-7111		SEE NOTE 2(2)							
47266-7011	SEE NOTE 2(1)									
47266-6301	BLACK	SEE NOTE 2(4)	SOLDERABLE NICKEL	WITHOUT FLANGE	TAPE & REEL, PK-47266-001					
47266-6201		SEE NOTE 2(3)								
47266-6101		SEE NOTE 2(2)								
47266-6001		SEE NOTE 2(1)								
E	47266-5211	NATURE	SEE NOTE 2(3)	SOLDERABLE NICKEL	WITH FLANGE	TAPE & REEL, PK-47266-003				
	47266-5111		SEE NOTE 2(2)							
	47266-5011		SEE NOTE 2(1)							
	47266-4211	BLACK	SEE NOTE 2(3)	SOLDERABLE NICKEL	WITH FLANGE	TAPE & REEL, PK-47266-003				
47266-4111	SEE NOTE 2(2)									
47266-4011	SEE NOTE 2(1)									
D	47266-5201	NATURE	SEE NOTE 2(3)	SOLDERABLE NICKEL	WITH FLANGE	TRAY, PK-47266-002				
	47266-5101		SEE NOTE 2(2)							
	47266-5001		SEE NOTE 2(1)							
	47266-4201	BLACK	SEE NOTE 2(3)	SOLDERABLE NICKEL	WITH FLANGE	TRAY, PK-47266-002				
47266-4101	SEE NOTE 2(2)									
47266-4001	SEE NOTE 2(1)									
C	47266-3201	NATURE	SEE NOTE 2(3)	MATTE TIN	WITHOUT FLANGE	TAPE & REEL, PK-47266-001				
	47266-3101		SEE NOTE 2(2)							
	47266-3001		SEE NOTE 2(1)							
	47266-2201	BLACK	SEE NOTE 2(3)	MATTE TIN	WITHOUT FLANGE	TAPE & REEL, PK-47266-001				
47266-2101	SEE NOTE 2(2)									
47266-2001	SEE NOTE 2(1)									
B	47266-1211	NATURE	SEE NOTE 2(3)	MATTE TIN	WITH FLANGE	TAPE & REEL, PK-47266-003				
	47266-1111		SEE NOTE 2(2)							
	47266-1011		SEE NOTE 2(1)							
	47266-0211	BLACK	SEE NOTE 2(3)	MATTE TIN	WITH FLANGE	TAPE & REEL, PK-47266-003				
47266-0111	SEE NOTE 2(2)									
47266-0011	SEE NOTE 2(1)									
A	47266-1201	NATURE	SEE NOTE 2(3)	MATTE TIN	WITH FLANGE	TRAY, PK-47266-005				
	47266-1101		SEE NOTE 2(2)			TRAY, PK-47266-002				
	47266-1001		SEE NOTE 2(1)			TRAY, PK-47266-005				
	47266-0201	BLACK	SEE NOTE 2(3)	MATTE TIN	WITH FLANGE	TRAY, PK-47266-005				
47266-0102	SEE NOTE 2(2)		TRAY, PK-47266-002							
47266-0001		SEE NOTE 2(1)								
	P/N	HOUSING COLOR	CONTACT AREA PLATING	SHELL PLATING	REMARK	PACKAGING SPECIFICATION				



ADD PART NO. EC NO: S2012-0578 DRWN: JZENG 2012/01/18 CHKD: JESSIECHUA 2012/03/15 APPR: NAGESHKN 2012/03/19 H2	DESCRIPTION QUALITY SYMBOLS $\nabla_A = 0$ $\nabla_C = 0$ $\nabla_P = 0$	GENERAL TOLERANCES (UNLESS SPECIFIED)		DIMENSION STYLE MM ONLY	SCALE NTS	DESIGN UNITS METRIC	THIRD ANGLE PROJECTION		
		4 PLACES ± --- ± --- 3 PLACES ± --- ± --- 2 PLACES ± 0.20 ± --- 1 PLACE ± 0.30 ± ---	mm INCH ± --- ± --- ± 0.20 ± --- ± 0.30 ± ---	DRAWN BY ROST ZHANG	DATE 2005/05/20	TITLE HDMI RECEPTACLE W/SCREW R/A SMT CUSTOMER DRAWING			
		ANGULAR ± 2 °		CHECKED BY GRATE MA	DATE 2005/05/20	MOLEX INCORPORATED			
		DRAFT WHERE APPLICABLE MUST REMAIN WITHIN DIMENSIONS		APPROVED BY XJSONG	DATE 2010/01/26	MATERIAL NO. SEE TABLE	DOCUMENT NO. SD-47266-001	SHEET NO. 2 OF 2	