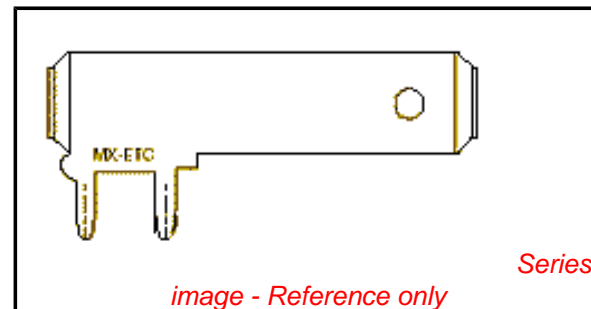


PLEASE CHECK WWW.MOLEX.COM FOR LATEST PART INFORMATION

Part Number: [0197114003](#)
Status: **Active**
Description: PCB Tab Right Angle Quick Disconnect, Male, for Wire, Metal Strip, Tab 6.35mm (.250") x 0.81mm (.032")

Documents:

[Drawing \(PDF\)](#) [RoHS Certificate of Compliance \(PDF\)](#)
[Product Specification PS-19902-010 \(PDF\)](#)



Agency Certification

UL E79133

General

Product Family Quick Disconnects
 Series [19711](#)
 Crimp Quality Equipment Yes
 Product Name PCB Tab
 Type Quick Disconnect

Physical

Barrel Type N/A
 Gender Male
 Glow-Wire Compliant No
 Insulation None
 Lock to Mating Part None
 Material - Metal Brass
 Orientation PCB Flag Tab
 Packaging Type Reel
 Polarized to Mating Part No
 Tab Thickness 0.81mm (.032")
 Tab Width 6.35mm (.250")
 Wire Insulation Diameter N/A
 Wire Size AWG N/A

Electrical

Voltage - Maximum N/A

Material Info

Reference - Drawing Numbers

Product Specification PS-19902-010
 Sales Drawing SD-19711-400

EU RoHS

ELV and RoHS Compliant

REACH SVHC

Not Reviewed

Halogen-Free

Status

Not Reviewed

China RoHS



Need more information on product environmental compliance?

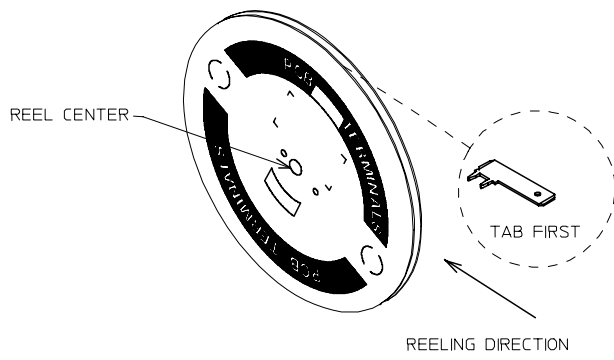
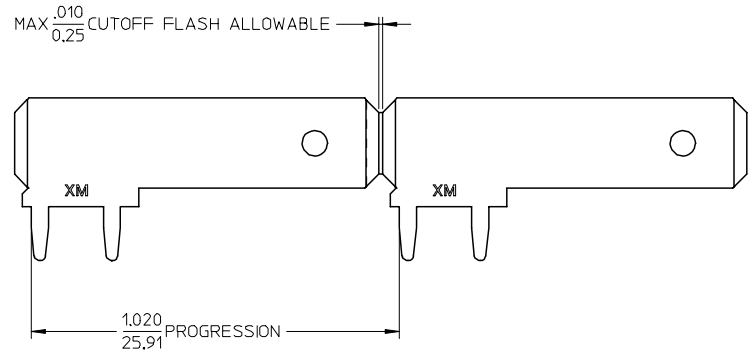
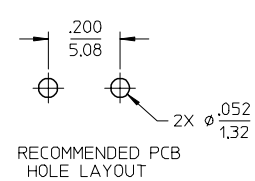
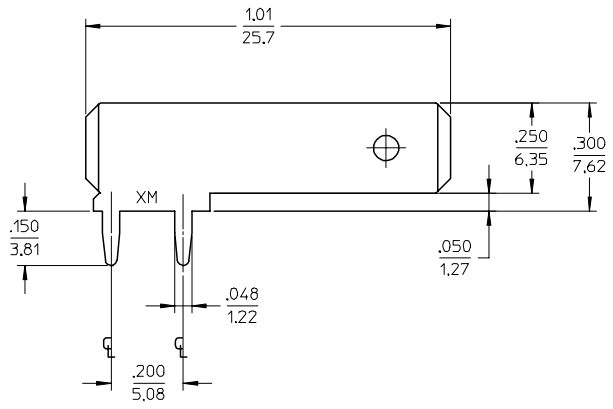
Email productcompliance@molex.com
 For a multiple part number RoHS Certificate of Compliance, [click here](#)

Please visit the [Contact Us](#) section for any non-product compliance questions.

Search Parts in this Series

[19711Series](#)

| | | |
|-----------------|--------------------|---------|
| MATERIAL NUMBER | ENGINEERING NUMBER | CARRIER |
| 197114003 | 19711-4003 | STRIP |
| 197114007 | 19711-4007 | |



- NOTES:
1. BARE EDGES PERMISSIBLE AT CARRIER CUT OFF.
 2. MATERIAL: BRASS C26000 (.032/0.81) THICK
 3. TAB CONFORMS TO NEMA SPECIFICATIONS.
 4. ALL DIMENSIONS AND NOTES REFERENCE UNLESS OTHERWISE NOTED.
 5. PLATING: MATTE TIN, 150MN/3.81 μm MINIMUM THICKNESS OVER NICKEL 50MN/1.254mm MINIMUM THICKNESS.
 6. REF.: 5,000 MINIMUM PARTS PER REEL, REEL HAS 24" DIAMETER REEL WITH A 1.25" DIAMETER CENTER HOLE.

| | | | | | | |
|---|-----------------|--|---|-------------------|--|--------------------|
| EC NO: ETC2003-0292 DRWN: DMYRICK 2004/05/13 CHKD: HBEITZE 2004/05/14 APPR: RDEROSS 2004/05/14 | QUALITY SYMBOLS | GENERAL TOLERANCES (UNLESS SPECIFIED) | SCALE 4:1 | DESIGN UNITS INCH | THIRD ANGLE PROJECTION | REVISE ON CAD ONLY |
| | ▼ - 0 ▽ - 0 | 4 PLACES ± --- ± --- 3 PLACES ± --- ± .005 2 PLACES ± 0.13 ± .01 1 PLACE ± 0.25 ± --- ANGULAR ± 1/2° | DIMENSION STYLE IN/MM | | TITLE QUICK DISCONNECT PCB MOUNTABLE .250 X .032 TAB | |
| | | | DRAWN BY DATE EDB 11/08/96 | | MATERIAL NO. MOLEX INCORPORATED | |
| | | | CHECKED BY DATE JH 11/08/96 | | DOCUMENT NO. SD-19711-400 | SHEET NO. 1 OF 1 |
| DRAFT WHERE APPLICABLE MUST REMAIN WITHIN DIMENSIONS | | APPROVED BY DATE RWD 11/08/96 | THIS DRAWING CONTAINS INFORMATION THAT IS PROPRIETARY TO MOLEX INCORPORATED AND SHOULD NOT BE USED WITHOUT WRITTEN PERMISSION | | | |