

PLEASE CHECK WWW.MOLEX.COM FOR LATEST PART INFORMATION

Part Number: [0490360417](#)
Status: **Active**
Description: 3.80mm (.150") Pitch, Wire-to-Wire Uniconn Female Housing, for 2.28mm (.090") Diameter Terminal, Brown

Documents:

[Drawing \(PDF\)](#) [RoHS Certificate of Compliance \(PDF\)](#)
[Product Specification PS-49033-001 \(PDF\)](#)

General

Product Family	Crimp Housings
Series	49036
Product Name	Uniconn

Physical

Circuits (maximum)	4
Color - Resin	Black, Brown
Gender	Female
Glow-Wire Compliant	No
Lock to Mating Part	Yes
Material - Resin	Polyester
Number of Rows	1
Packaging Type	Bag
Panel Mount	No
Pitch - Mating Interface (in)	0.150 In
Pitch - Mating Interface (mm)	3.80 mm
Polarized to Mating Part	Yes
Stackable	No
Temperature Range - Operating	-40°C to +80°C

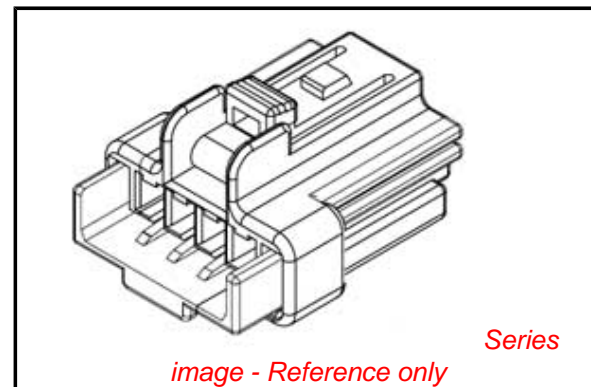
Electrical

Current - Maximum per Contact	10A
-------------------------------	-----

Material Info

Reference - Drawing Numbers

Product Specification	PS-49033-001
Sales Drawing	SD-49036-001



EU RoHS

ELV and RoHS Compliant
REACH SVHC
 Not Reviewed
Halogen-Free Status
 Not Reviewed

China RoHS



Need more information on product environmental compliance?

Email productcompliance@molex.com
 For a multiple part number RoHS Certificate of Compliance, [click here](#)

Please visit the [Contact Us](#) section for any non-product compliance questions.

Search Parts in this Series

[49036Series](#)

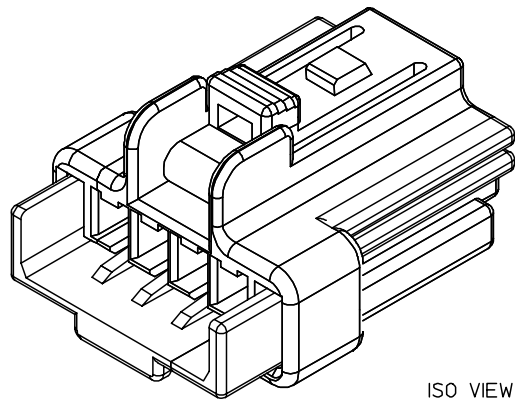
Mates With

[49035 Housing](#)

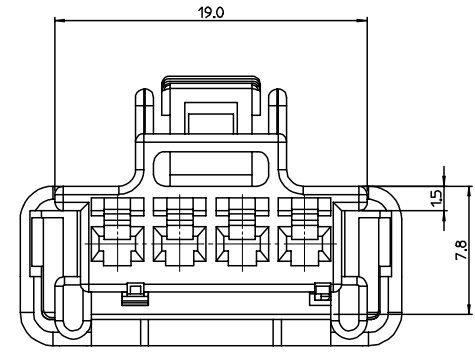
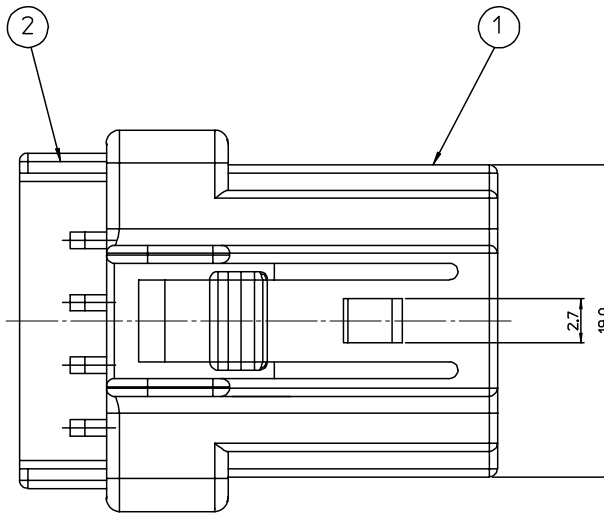
Use With

[35421 Terminal](#)

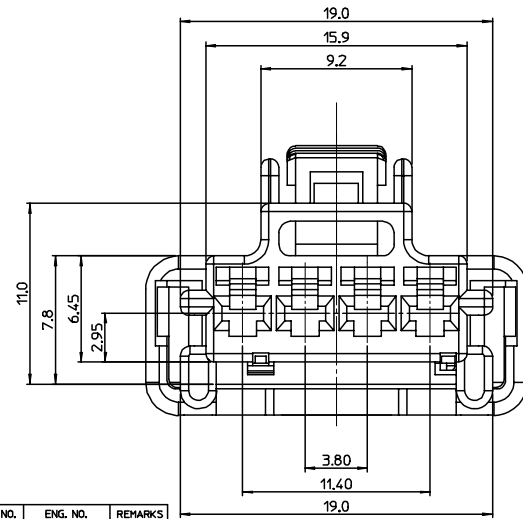
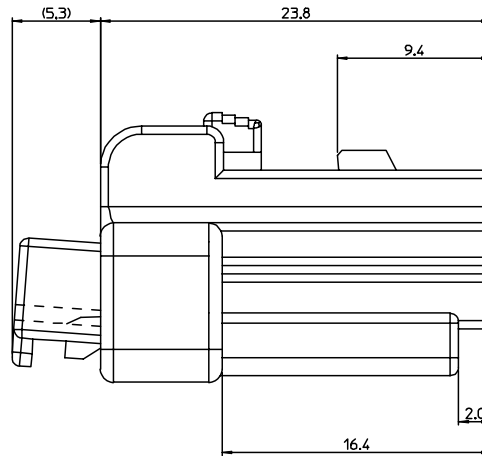
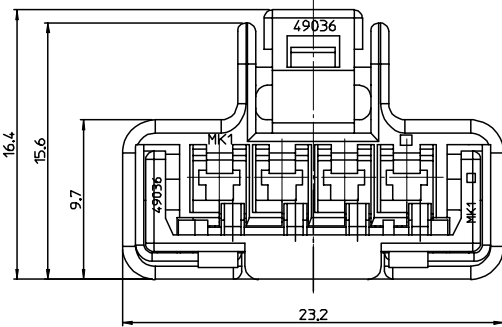
PROJECT NO. SD-49036-001
 SIMILAR ITEM
 DWG. NO. SD-49036-001
 DO NOT SCALE DRAWING
 DIMENSION IN METRIC



ISO VIEW



49036-0417



49036-0410/0415

<NOTE>

1. MATERIAL : SEE TABLE
2. MATING CONNECTOR : 49035-0410/0417
3. APPLICABLE TERMINAL : 35421-6*02

NO.	PART NO.	PART NAME	MATERIAL	COLOR
1	(A) 49036-0490	.090 F/HSG 4P	POLYESTER	NATURAL
	(B) 49036-0495	.090 F/HSG 4P	POLYESTER	GRAY
	(C) 49036-0497	.090 F/HSG 4P	POLYESTER	BROWN
2	(D) 49036-0481	.090 F/TPA 4P	POLYESTER	BLACK

MATERIAL NO.	ENG. NO.	REMARKS		
490360410	49036-0410	(A) + (D)		
490360415	49036-0415	(B) + (D)		
490360417	49036-0417	(C) + (D)		
NEW RELEASED			49036-0410/0415	
ECN NO. KOR2004-0092	QUALITY SYMBOLS	GENERAL TOLERANCES (UNLESS SPECIFIED)	SCALE 5:1	DESIGN UNITS
DRAWING NO. 04/0127	MAJOR	mm	mm	INCH
CHK&C.YOON 04/0127	CRITICAL	INCH	mm	mm
APPLICABLE			THIRD ANGLE	PROJECTION
			THIRD ANGLE	PROJECTION
			DRAWN BY & DATE	
			SJKM 03/12/10	
			CHECKED BY & DATE	
			B.C.YOON 03/12/10	
			APPROVED BY & DATE	
			C.W.LEE 03/12/10	
			CAD FILENAME	
			SD/9036.MI	
			MATERIAL NO.	
			SEE TABLE	
			DRAWING NO.	
			SD-49036-001	
			SHEET NO.	
			1 OF 1	
			SIZE	
			C	
			KOREA	
			MX-A2	