

**DUAL 2-TO-4 LINE DECODER**

The TC74ACT139 is an advanced high speed CMOS 2 to 4 LINE DECODER fabricated with silicon gate and double-layer metal wiring C<sup>2</sup>MOS technology.

It achieves the high speed operation similar to equivalent Bipolar Schottky TTL while maintaining the CMOS low power dissipation.

This device may be used as a level converter for interfacing TTL or NMOS to High Speed CMOS. The inputs are compatible with TTL, NMOS and CMOS output voltage levels.

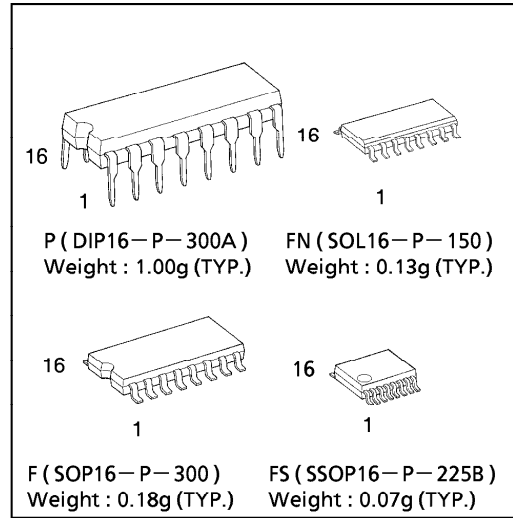
The active low enable input can be used for gating or it can be used as a data input for demultiplexing applications.

When the enable input is held "H", all four outputs are fixed at a high logic level independent of the other inputs.

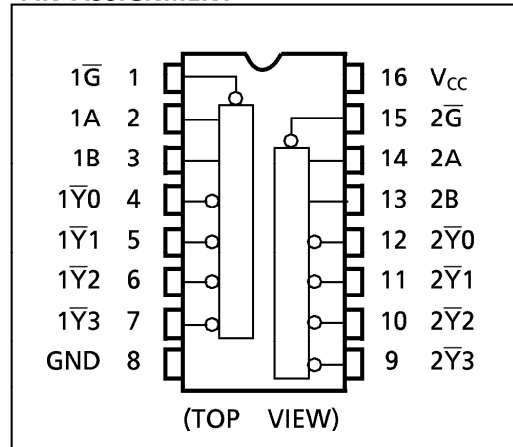
All inputs are equipped with protection circuits against static discharge or transient excess voltage.

**FEATURES :**

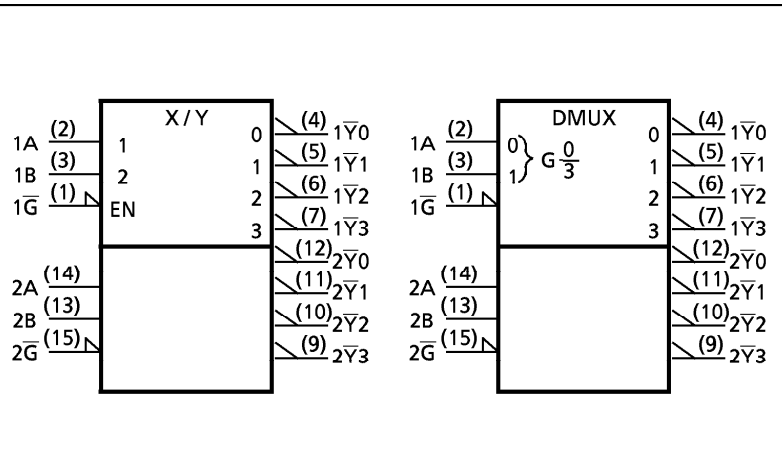
- High Speed..... $t_{pd} = 5.5ns$ (typ.) at  $V_{CC} = 5V$
- Low Power Dissipation..... $I_{CC} = 8\mu A$ (Max.) at  $T_a = 25^\circ C$
- Compatible with TTL outputs ...  $V_{IL} = 0.8V$  (Max.)  
 $V_{IH} = 2.0V$  (Min.)
- Symmetrical Output Impedance...  $|I_{OH}| = I_{OL} = 24mA$ (Min.)  
Capability of driving 50 $\Omega$  transmission lines.
- Balanced Propagation Delays..... $t_{pLH} \approx t_{pHL}$
- Pin and Function Compatible with 74F139



**PIN ASSIGNMENT**



**IEC LOGIC SYMBOL**



**TRUTH TABLE**

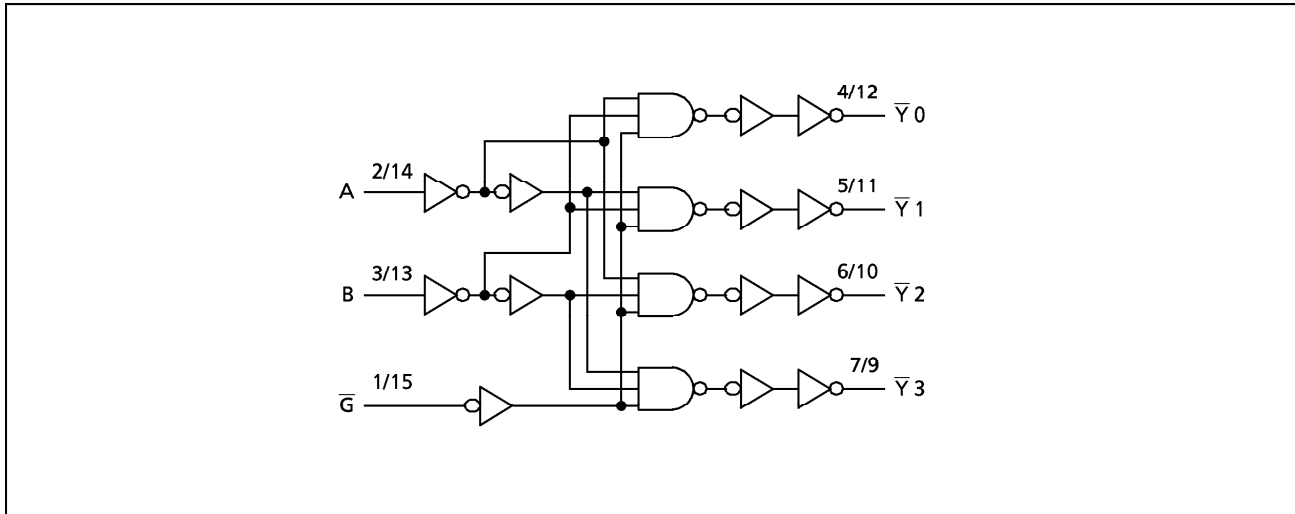
INPUTS			OUTPUTS				SELECTED OUTPUT
ENABLE	SELECT		$\bar{Y}0$	$\bar{Y}1$	$\bar{Y}2$	$\bar{Y}3$	
$\bar{G}$	B	A					
H	X	X	H	H	H	H	NONE
L	L	L	L	H	H	H	$\bar{Y}0$
L	L	H	H	L	H	H	$\bar{Y}1$
L	H	L	H	H	L	H	$\bar{Y}2$
L	H	H	H	H	H	L	$\bar{Y}3$

X : Don't Care

© The information contained herein is presented only as a guide for the applications of our products. No responsibility is assumed by TOSHIBA CORPORATION for any infringements of intellectual property or other rights of the third parties which may result from its use. No license is granted by implication or otherwise under any intellectual property or other rights of TOSHIBA CORPORATION or others.

© These TOSHIBA products are intended for use in general commercial applications (office equipment, communication equipment, measuring equipment, domestic appliances, etc.). please make sure that you consult with us before you use these TOSHIBA products in equipment which requires extraordinarily high quality and/or reliability, and in equipment which may involve life threatening or critical application, including but not limited to such uses as atomic energy control, airplane or spaceship instrumentation, traffic signals, medical instrumentation, combustion control, all types of safety devices, etc. TOSHIBA cannot accept and hereby disclaims liability for any damage which may occur in case the TOSHIBA products are used in such equipment or applications without prior consultation with TOSHIBA.

**SYSTEM DIAGRAM**



**ABSOLUTE MAXIMUM RATINGS**

PARAMETER	SYMBOL	VALUE	UNIT
Supply Voltage Range	$V_{CC}$	$-0.5 \sim 7.0$	V
DC Input Voltage	$V_{IN}$	$-0.5 \sim V_{CC} + 0.5$	V
DC Output Voltage	$V_{OUT}$	$-0.5 \sim V_{CC} + 0.5$	V
Input Diode Current	$I_{IK}$	$\pm 20$	mA
Output Diode Current	$I_{OK}$	$\pm 50$	mA
DC Output Current	$I_{OUT}$	$\pm 50$	mA
DC $V_{CC}$ /Ground Current	$I_{CC}$	$\pm 200$	mA
Power Dissipation	$P_D$	500 (DIP)* / 180 (SOP/SSOP)	mW
Storage Temperature	$T_{stg}$	$-65 \sim 150$	$^{\circ}C$

\*500mW in the range of  $T_a = -40^{\circ}C \sim 65^{\circ}C$ . From  $T_a = 65^{\circ}C$  to  $85^{\circ}C$  a derating factor of  $-10mW/^{\circ}C$  should be applied up to 300mW.

**RECOMMENDED OPERATING CONDITIONS**

PARAMETER	SYMBOL	VALUE	UNIT
Supply Voltage	$V_{CC}$	4.5~5.5	V
Input Voltage	$V_{IN}$	$0 \sim V_{CC}$	V
Output Voltage	$V_{OUT}$	$0 \sim V_{CC}$	V
Operating Temperature	$T_{opr}$	$-40 \sim 85$	$^{\circ}C$
Input Rise and Fall Time	$dt/dV$	0~10	ns/V

**DC ELECTRICAL CHARACTERISTICS**

PARAMETER	SYMBOL	TEST CONDITION		V <sub>CC</sub> (V)	Ta = 25°C			Ta = -40~85°C		UNIT
					MIN.	TYP.	MAX.	MIN.	MAX.	
High - Level Input Voltage	V <sub>IH</sub>			4.5 ┆ 5.5	2.0	—	—	2.0	—	V
Low - Level Input Voltage	V <sub>IL</sub>			4.5 ┆ 5.5	—	—	0.8	—	0.8	V
High - Level Output Voltage	V <sub>OH</sub>	V <sub>IN</sub> = V <sub>IH</sub> or V <sub>IL</sub>	I <sub>OH</sub> = -50μA	4.5	4.4	4.5	—	4.4	—	V
			I <sub>OH</sub> = -24mA	4.5	3.94	—	—	3.80	—	
			I <sub>OH</sub> = -75mA*	5.5	—	—	—	3.85	—	
Low - Level Output Voltage	V <sub>OL</sub>	V <sub>IN</sub> = V <sub>IH</sub> or V <sub>IL</sub>	I <sub>OL</sub> = 50μA	4.5	—	0.0	0.1	—	0.1	V
			I <sub>OL</sub> = 24mA	4.5	—	—	0.36	—	0.44	
			I <sub>OL</sub> = 75mA*	5.5	—	—	—	—	1.65	
Input Leakage Current	I <sub>IN</sub>	V <sub>IN</sub> = V <sub>CC</sub> or GND		5.5	—	—	±0.1	—	±1.0	μA
Quiescent Supply Current	I <sub>CC</sub>	V <sub>IN</sub> = V <sub>CC</sub> or GND		5.5	—	—	8.0	—	80.0	
		I <sub>C</sub>	PER INPUT : V <sub>IN</sub> = 3.4V OTHER INPUT : V <sub>CC</sub> or GND		5.5	—	—	1.35	—	1.5

\* : This spec indicates the capability of driving 50Ω transmission lines.  
One output should be tested at a time for a 10ms maximum duration.

**AC ELECTRICAL CHARACTERISTICS ( C<sub>L</sub> = 50pF, R<sub>L</sub> = 500Ω, Input t<sub>r</sub> = t<sub>f</sub> = 3ns )**

PARAMETER	SYMBOL	TEST CONDITION		V <sub>CC</sub> (V)	Ta = 25°C			Ta = -40~85°C		UNIT
					MIN.	TYP.	MAX.	MIN.	MAX.	
Propagation Delay Time (A, B - $\bar{Y}$ )	t <sub>pLH</sub> t <sub>pHL</sub>			5.0 ± 0.5	—	6.2	9.2	1.0	10.5	ns
				5.0 ± 0.5	—	6.3	9.6	1.0	11.0	
Propagation Delay Time ( $\bar{G}$ - $\bar{Y}$ )	t <sub>pLH</sub> t <sub>pHL</sub>			5.0 ± 0.5	—	6.3	9.6	1.0	11.0	ns
Input Capacitance	C <sub>IN</sub>			—	—	5	10	—	10	
Power Dissipation Capacitance	C <sub>PD</sub> (1)			—	—	51	—	—	—	

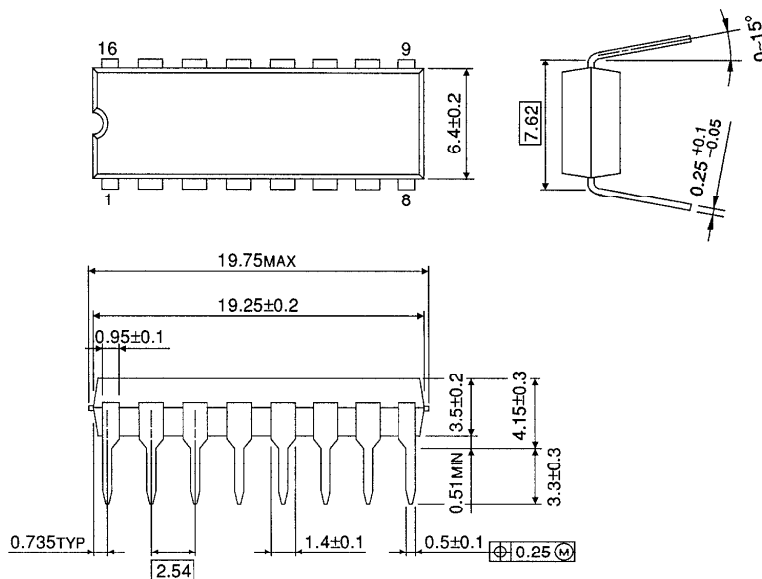
Note(1) C<sub>PD</sub> is defined as the value of the internal equivalent capacitance which is calculated from the operating current consumption without load.

Average operating current can be obtained by the equation :

$$I_{CC(opr.)} = C_{PD} \cdot V_{CC} \cdot f_{IN} + I_{CC} / 2 \text{ (per Decoder)}$$

**DIP 16PIN OUTLINE DRAWING (DIP16-P-300A)**

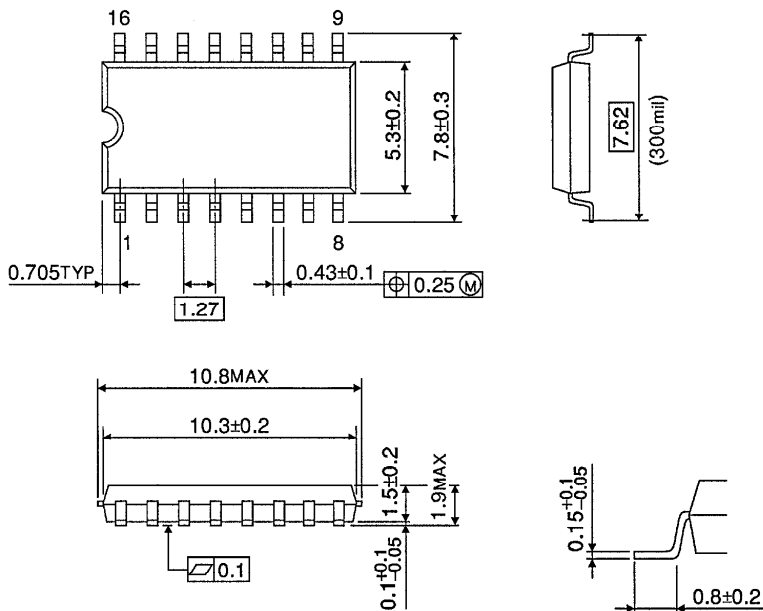
Unit in mm



Weight : 1.00g (TYP.)

**SOP 16PIN (200mil BODY) OUTLINE DRAWING (SOP16-P-300)**

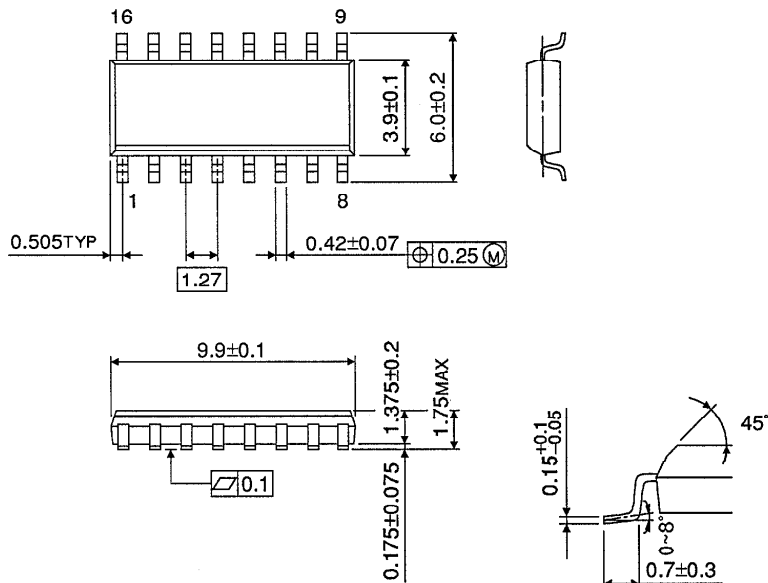
Unit in mm



Weight : 0.18g (TYP.)

**SOP 16PIN (150mil BODY) OUTLINE DRAWING (SOL16-P-150)**

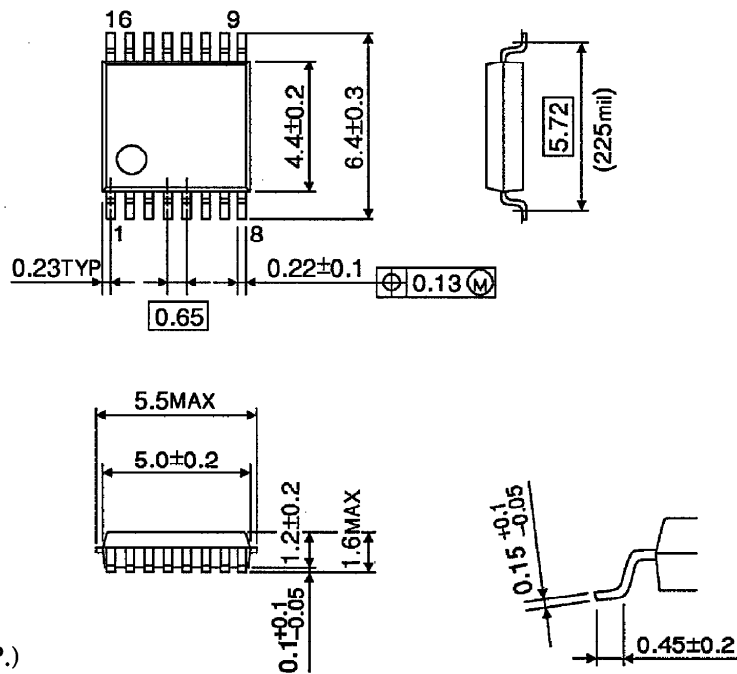
Unit in mm



Weight : 0.13g (TYP.)

**SSOP 16PIN OUTLINE DRAWING (SSOP16-P-225B)**

Unit in mm



Weight : 0.07g (TYP.)