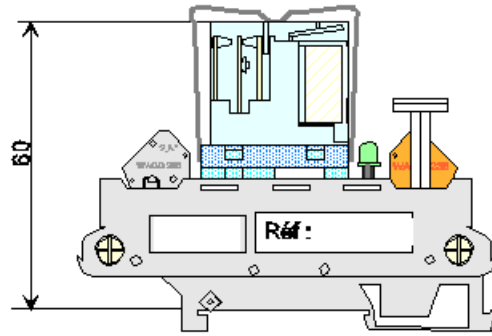
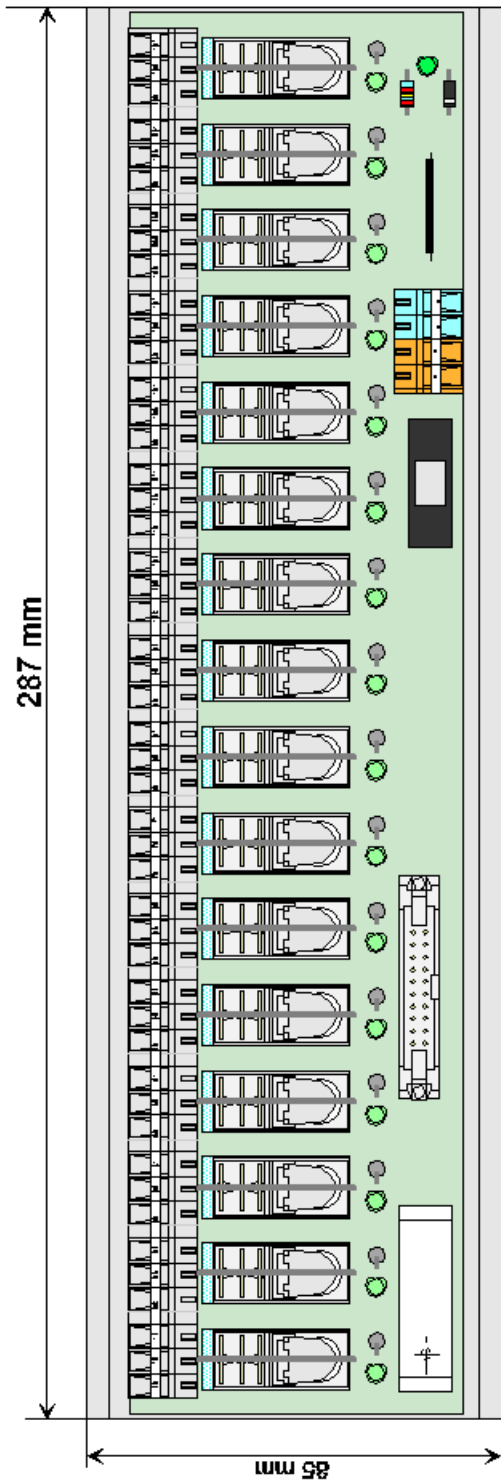
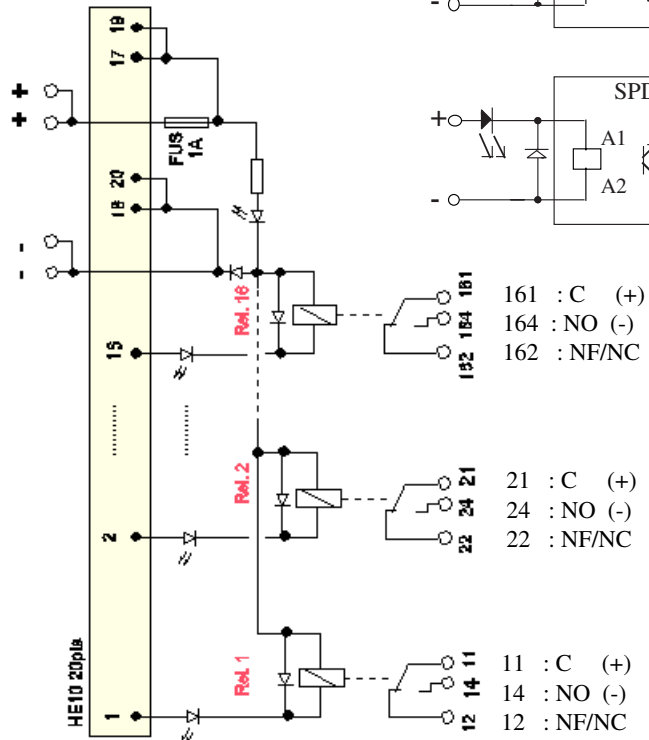
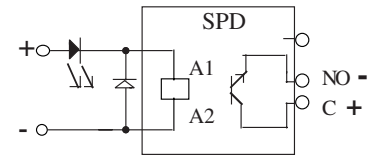
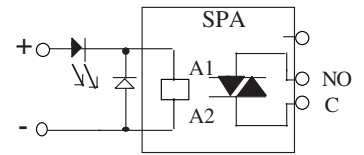
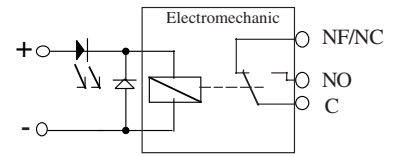


适合16个SP/ST系列固态继电器的插座/  
**Socket for 16 SP/ST relay**

**ESD16000**



继电器/ Relays



ISO 9001  
 N° 1993/1106a

*Proud to serve you*

All technical characteristics are subject to change without previous notice.  
 Caractéristiques sujettes à modifications sans préavis.

**celduc**®  
 r e l a i s

— [www.celduc.com](http://www.celduc.com) —