



100/1000 Base T Gigabit Single Port Transformer AGSC-2413S

- LL: 0.5μH Max @ 100KHz, 200mV
- DCR: 1.4Ω Max
- Cw/w: 25PF TYP @ 100KHz, 200mV
- Operating Temp: 0°C to +70°C

Electrical Specifications @ 25°C

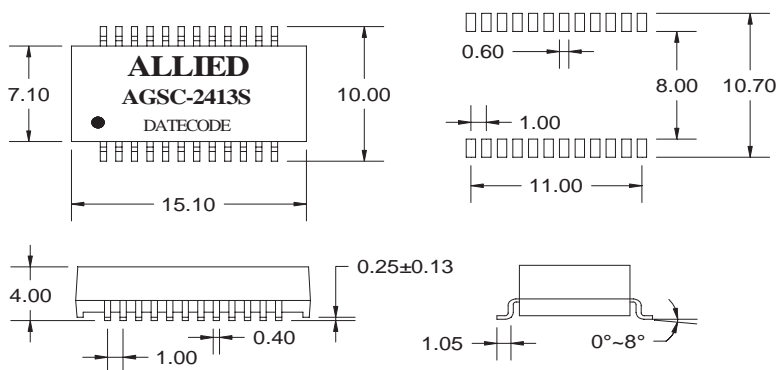
Part Number	OCL(μH Min) @ 100kHz, 0.2V With 8mA DC Bias	Turns Ratio chip: cable (±5%)	Insertion Loss (dB Max)		Return Loss (dB Min)			
			1-100MHz	1-30MHz	40MHz	50MHz	60-80MHz	100MHz
AGSC-2413S	350	1CT:1CT(TX)/1CT:1CT(RX)	-1.0	-18	-14.4	-13.1	-12	-10

Electrical Specifications @ 25°C

Part Number	Common Mode Rejection (dB Min)			Cross Talk (dB Min)			Isolation HI-POT (Vrms)
	30MHz	60MHz	100MHz	30MHz	60MHz	100MHz	
AGSC-2413S	-40	-35	-30	-45	-40	-35	1500

All specifications subject to change without notice.

MECHANICAL



Dimensions: mm
Unless otherwise specified, all tolerances are ±0.25

SCHEMATICS

