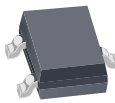


# Chopper Stabilized Precision Hall Effect Switches

## Features and Benefits

- Unipolar switchpoints
- Resistant to physical stress
- Superior temperature stability
- Output short-circuit protection
- Operation from unregulated supply
- Reverse battery protection
- Solid-state reliability
- Small package sizes

## Packages:



3-pin SOT23W (suffix LH)



3-pin SIP (suffix UA)

Not to scale

## Description

The A1120, A1121, A1122, and A1125 Hall-effect, unipolar switches are extremely temperature-stable and stress-resistant sensor ICs, especially suited for operation over extended temperature ranges to 150°C. Superior high-temperature performance is made possible through dynamic offset cancellation, which reduces the residual offset voltage normally caused by device overmolding, temperature dependencies, and thermal stress.

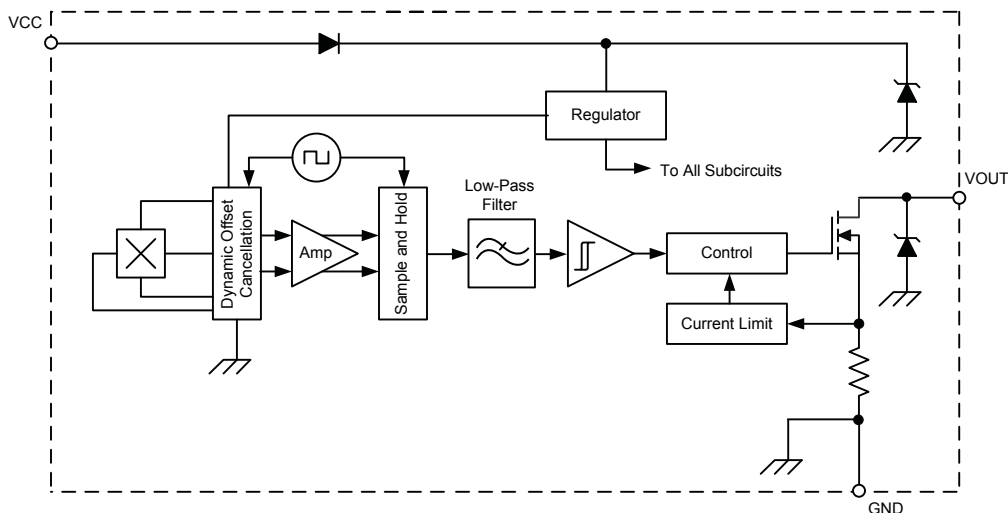
Each device includes on a single silicon chip a voltage regulator, Hall-voltage generator, small-signal amplifier, chopper stabilization, Schmitt trigger, and a short-circuit protected open-drain output to sink up to 25 mA.

An on-board regulator permits operation with supply voltages of 3 to 24 V. The advantage of operating down to 3 V is that the device can be used in 3 V applications or with additional external resistance in series with the supply pin for greater protection against high voltage transient events.

For the A1120, A1121, and A1122, a south pole of sufficient strength turns the output on. Removal of the magnetic field turns the output off. The A1125 is complementary, in that for these devices, a south pole turns the A1125 output off, and removal of the magnetic field turns the output on.

Two package styles provide a magnetically optimized package for most applications. Package type LH is a modified SOT23W, surface mount package, while UA is a three-lead ultra-mini SIP for through-hole mounting. Each package type is lead (Pb) free (suffix, -T), with a 100% matte tin plated leadframe.

## Functional Block Diagram





## Selection Guide

| Part Number               | Packing <sup>1</sup>           | Mounting                   | Ambient, T <sub>A</sub> | Switchpoints (Typ.) |                 | Output In South (Positive) Magnetic Field |
|---------------------------|--------------------------------|----------------------------|-------------------------|---------------------|-----------------|---|
|                           |                                |                            |                         | B <sub>OP</sub>     | B <sub>RP</sub> |   |
| A1120ELHLX-T              | 13-in. reel, 10000 pieces/reel | 3-pin SOT23W surface mount | -40°C to 85°C           | 35                  | 25              | On (logic low)                            |
| A1120ELHLT-T <sup>2</sup> | 7-in. reel, 3000 pieces/reel   | 3-pin SOT23W surface mount |                         |                     |                 |   |
| A1120EUA-T                | Bulk, 500 pieces/bag           | 3-pin SIP through hole     |                         |                     |                 |   |
| A1120LLHLX-T              | 13-in. reel, 10000 pieces/reel | 3-pin SOT23W surface mount | -40°C to 150°C          | 95                  | 70              |   |
| A1120LLHLT-T <sup>2</sup> | 7-in. reel, 3000 pieces/reel   | 3-pin SOT23W surface mount |                         |                     |                 |   |
| A1120LUA-T                | Bulk, 500 pieces/bag           | 3-pin SIP through hole     |                         |                     |                 |   |
| A1121ELHLX-T              | 13-in. reel, 10000 pieces/reel | 3-pin SOT23W surface mount | -40°C to 85°C           | 150                 | 125             |   |
| A1121ELHLT-T <sup>2</sup> | 7-in. reel, 3000 pieces/reel   | 3-pin SOT23W surface mount |                         |                     |                 |   |
| A1121EUA-T                | Bulk, 500 pieces/bag           | 3-pin SIP through hole     |                         |                     |                 |   |
| A1121LLHLX-T              | 13-in. reel, 10000 pieces/reel | 3-pin SOT23W surface mount | -40°C to 150°C          | 35                  | 25              |   |
| A1121LLHLT-T <sup>2</sup> | 7-in. reel, 3000 pieces/reel   | 3-pin SOT23W surface mount |                         |                     |                 |   |
| A1121LUA-T                | Bulk, 500 pieces/bag           | 3-pin SIP through hole     |                         |                     |                 |   |
| A1122ELHLX-T              | 13-in. reel, 10000 pieces/reel | 3-pin SOT23W surface mount | -40°C to 85°C           | 35                  | 25              | Off (logic high)                          |
| A1122ELHLT-T <sup>2</sup> | 7-in. reel, 3000 pieces/reel   | 3-pin SOT23W surface mount |                         |                     |                 |   |
| A1122EUA-T                | Bulk, 500 pieces/bag           | 3-pin SIP through hole     |                         |                     |                 |   |
| A1122LLHLX-T              | 13-in. reel, 10000 pieces/reel | 3-pin SOT23W surface mount | -40°C to 150°C          | 35                  | 25              |   |
| A1122LLHLT-T <sup>2</sup> | 7-in. reel, 3000 pieces/reel   | 3-pin SOT23W surface mount |                         |                     |                 |   |
| A1122LUA-T                | Bulk, 500 pieces/bag           | 3-pin SIP through hole     |                         |                     |                 |   |
| A1125ELHLX-T              | 13-in. reel, 10000 pieces/reel | 3-pin SOT23W surface mount | -40°C to 85°C           | 35                  | 25              |   |
| A1125ELHLT-T <sup>2</sup> | 7-in. reel, 3000 pieces/reel   | 3-pin SOT23W surface mount |                         |                     |                 |   |
| A1125EUA-T                | Bulk, 500 pieces/bag           | 3-pin SIP through hole     |                         |                     |                 |   |
| A1125LLHLX-T              | 13-in. reel, 10000 pieces/reel | 3-pin SOT23W surface mount | -40°C to 150°C          | 35                  | 25              |   |
| A1125LLHLT-T <sup>2</sup> | 7-in. reel, 3000 pieces/reel   | 3-pin SOT23W surface mount |                         |                     |                 |   |
| A1125LUA-T                | Bulk, 500 pieces/bag           | 3-pin SIP through hole     |                         |                     |                 |   |

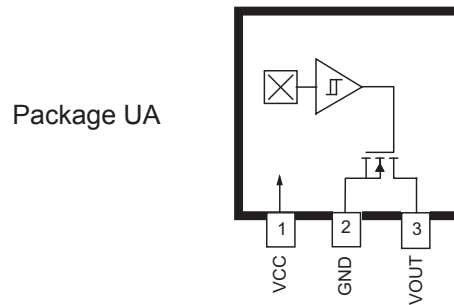
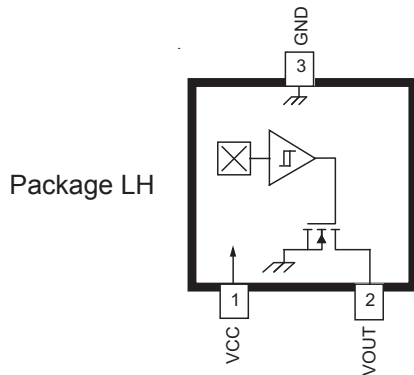
<sup>1</sup>Contact Allegro for additional packing options.

<sup>2</sup>Available through authorized Allegro distributors only.

## Absolute Maximum Ratings

| Characteristic                | Symbol     | Notes   | Rating     | Units |
|-------------------------------|------------|---------|------------|-------|
| Forward Supply Voltage        | $V_{CC}$   |         | 26.5       | V     |
| Reverse Supply Voltage        | $V_{RCC}$  |         | -30        | V     |
| Output Off Voltage            | $V_{OUT}$  |         | 26         | V     |
| Continuous Output Current     | $I_{OUT}$  |         | 25         | mA    |
| Reverse Output Current        | $I_{ROUT}$ |         | -50        | mA    |
| Operating Ambient Temperature | $T_A$      | Range E | -40 to 85  | °C    |
|                               |            | Range L | -40 to 150 | °C    |
| Maximum Junction Temperature  | $T_J(max)$ |         | 165        | °C    |
| Storage Temperature           | $T_{stg}$  |         | -65 to 170 | °C    |

## Pin-out Diagrams



### Terminal List

| Name | Description                   | Number     |            |
|------|-------------------------------|------------|------------|
|      |                               | Package LH | Package UA |
| VCC  | Connects power supply to chip | 1          | 1          |
| VOUT | Output from circuit           | 2          | 3          |
| GND  | Ground                        | 3          | 2          |

**ELECTRICAL CHARACTERISTICS** Valid over full operating voltage and ambient temperature ranges; unless otherwise noted

| Characteristics                   | Symbol         | Test Conditions   |                                      | Min. | Typ. <sup>1</sup> | Max. | Unit <sup>2</sup> |
|-----------------------------------|----------------|---|--------------------------------------|------|-------------------|------|-------------------|
| <b>Electrical Characteristics</b> |                |   |                                      |      |                   |      |                   |
| Forward Supply Voltage            | $V_{CC}$       | Operating, $T_J < 165^\circ\text{C}$  |                                      | 3    | –                 | 24   | V                 |
| Output Leakage Current            | $I_{OUTOFF}$   | A1120, A1121, A1122   | $V_{OUT} = 24\text{ V}, B < B_{RP}$  | –    | –                 | 10   | $\mu\text{A}$     |
|                                   |                | A1125   | $V_{OUT} = 24\text{ V}, B > B_{OP}$  | –    | –                 | 10   | $\mu\text{A}$     |
| Output Saturation Voltage         | $V_{OUT(SAT)}$ | A1120, A1121, A1122   | $I_{OUT} = 20\text{ mA}, B > B_{OP}$ | –    | 185               | 500  | mV                |
|                                   |                | A1125   | $I_{OUT} = 20\text{ mA}, B < B_{RP}$ | –    | 185               | 500  | mV                |
| Output Current Limit              | $I_{OM}$       | A1120, A1121, A1122   | $B > B_{OP}$                         | 30   | –                 | 60   | mA                |
|                                   |                | A1125   | $B < B_{RP}$                         | 30   | –                 | 60   | mA                |
| Power-On Time <sup>3</sup>        | $t_{PO}$       | $V_{CC} > 3.0\text{ V}, B < B_{RP}(\text{min}) - 10\text{ G}, B > B_{OP}(\text{max}) + 10\text{ G}$ |                                      | –    | –                 | 25   | $\mu\text{s}$     |
| Chopping Frequency                | $f_C$          |   |                                      | –    | 800               | –    | kHz               |
| Output Rise Time <sup>3,4</sup>   | $t_r$          | $R_L = 820\ \Omega, C_S = 20\text{ pF}$   |                                      | –    | 0.2               | 2    | $\mu\text{s}$     |
| Output Fall Time <sup>3,4</sup>   | $t_f$          | $R_L = 820\ \Omega, C_S = 20\text{ pF}$   |                                      | –    | 0.1               | 2    | $\mu\text{s}$     |
| Supply Current                    | $I_{CC(ON)}$   | A1120, A1121, A1122   | $V_{CC} = 12\text{ V}, B > B_{OP}$   | –    | –                 | 4    | mA                |
|                                   |                | A1125   | $V_{CC} = 12\text{ V}, B < B_{RP}$   | –    | –                 | 4    | mA                |
|                                   | $I_{CC(OFF)}$  | A1120, A1121, A1122   | $V_{CC} = 12\text{ V}, B < B_{RP}$   | –    | –                 | 4    | mA                |
|                                   |                | A1125   | $V_{CC} = 12\text{ V}, B > B_{OP}$   | –    | –                 | 4    | mA                |
| Reverse Supply Current            | $I_{RCC}$      | $V_{RCC} = -30\text{ V}$  |                                      | –    | –                 | –5   | mA                |
| Supply Zener Clamp Voltage        | $V_Z$          | $I_{CC} = 5\text{ mA}; T_A = 25^\circ\text{C}$  |                                      | 28   | –                 | –    | V                 |
| Zener Impedance                   | $I_Z$          | $I_{CC} = 5\text{ mA}; T_A = 25^\circ\text{C}$  |                                      | –    | 50                | –    | $\Omega$          |
| <b>Magnetic Characteristics</b>   |                |   |                                      |      |                   |      |                   |
| Operate Point                     | $B_{OP}$       | A1120   |                                      | –    | 35                | 50   | G                 |
|                                   |                | A1121   |                                      | 50   | 95                | 135  | G                 |
|                                   |                | A1122   |                                      | 120  | 150               | 200  | G                 |
|                                   |                | A1125   |                                      | –    | 35                | 50   | G                 |
| Release Point                     | $B_{RP}$       | A1120   |                                      | 5    | 25                | –    | G                 |
|                                   |                | A1121   |                                      | 40   | 70                | 110  | G                 |
|                                   |                | A1122   |                                      | 110  | 125               | 190  | G                 |
|                                   |                | A1125   |                                      | 5    | 25                | –    | G                 |
| Hysteresis                        | $B_{HYS}$      | A1120, A1125  | $(B_{OP} - B_{RP})$                  | –    | 10                | –    | G                 |
|                                   |                | A1121, A1122  |                                      | 10   | 25                | 42   | G                 |

<sup>1</sup>Typical data are at  $T_A = 25^\circ\text{C}$  and  $V_{CC} = 12\text{ V}$ , and are for initial design estimations only.

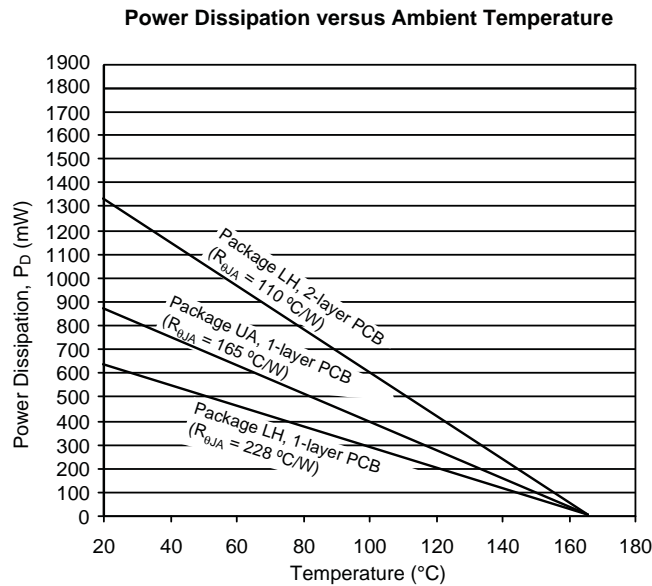
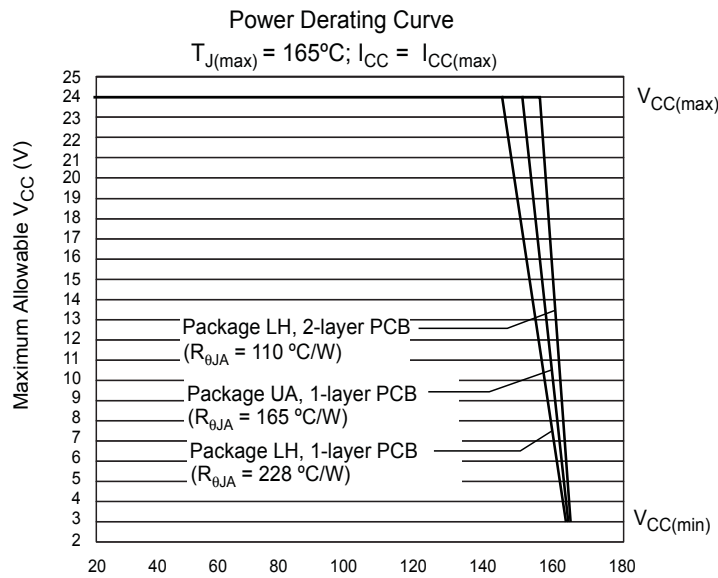
<sup>2</sup>1 G (gauss) = 0.1 mT (millitesla).

<sup>3</sup>Guaranteed by device design and characterization.

<sup>4</sup> $C_S$  = oscilloscope probe capacitance.

**THERMAL CHARACTERISTICS** may require derating at maximum conditions, see application information

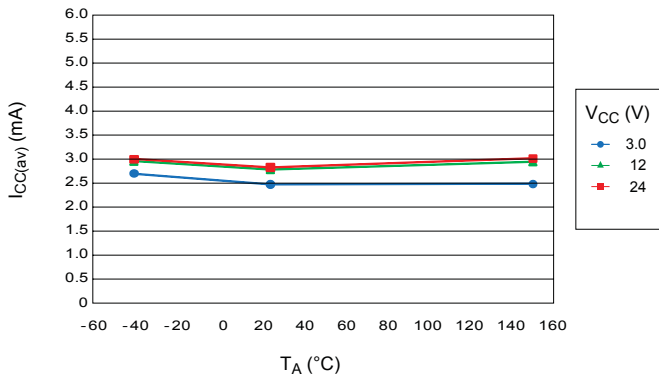
| Characteristic             | Symbol          | Test Conditions   | Value | Units                       |
|----------------------------|-----------------|---|-------|-----------------------------|
| Package Thermal Resistance | $R_{\theta JA}$ | Package LH, 1-layer PCB with copper limited to solder pads  | 228   | $^{\circ}\text{C}/\text{W}$ |
|                            |                 | Package LH, 2-layer PCB with 0.463 in <sup>2</sup> of copper area each side connected by thermal vias | 110   | $^{\circ}\text{C}/\text{W}$ |
|                            |                 | Package UA, 1-layer PCB with copper limited to solder pads  | 165   | $^{\circ}\text{C}/\text{W}$ |



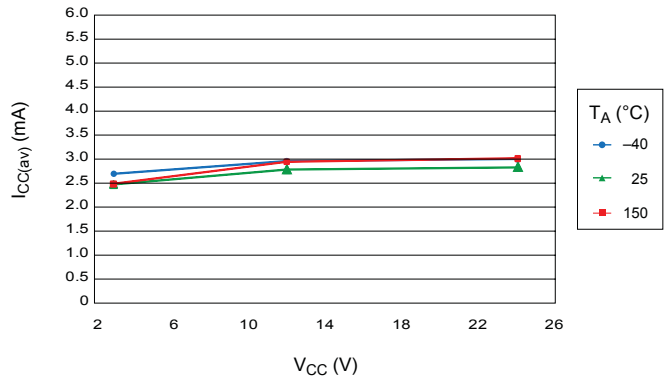
## Characteristic Performance

### A1120, A1121, and A1125 Electrical Characteristics

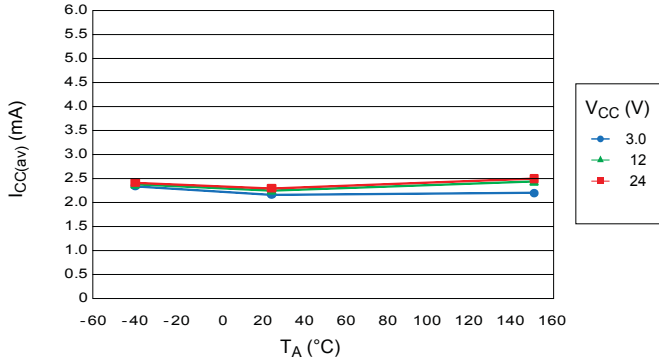
Average Supply Current (On) versus Ambient Temperature



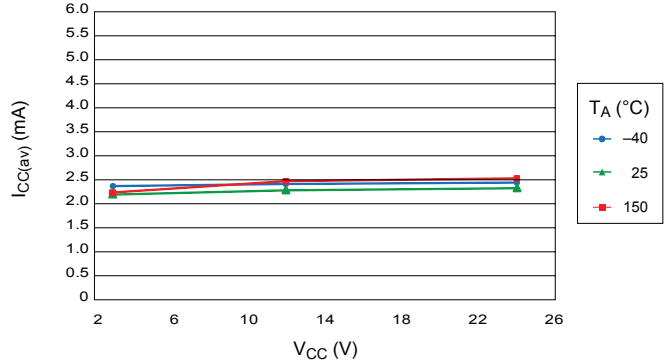
Average Supply Current (On) versus Average Supply Voltage



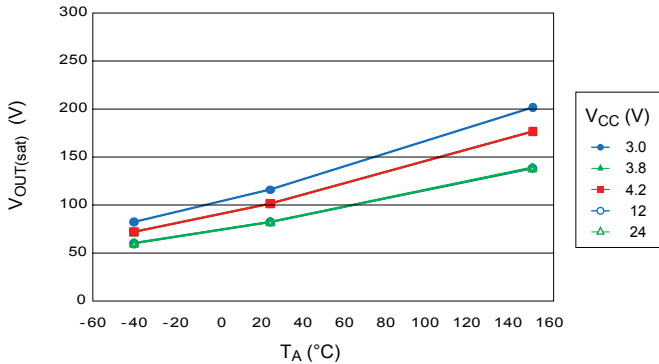
Average Supply Current (Off) versus Ambient Temperature



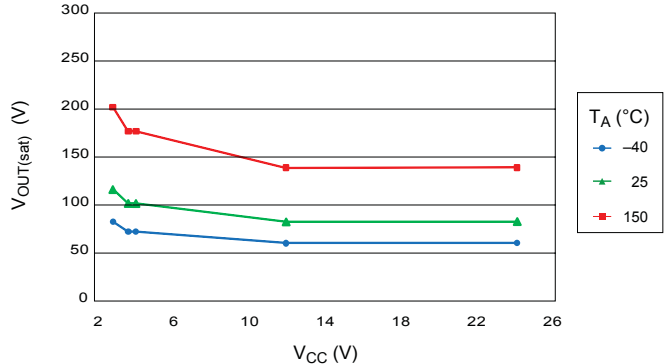
Average Supply Current (Off) versus Average Supply Voltage



Average Output Saturation Voltage versus Ambient Temperature

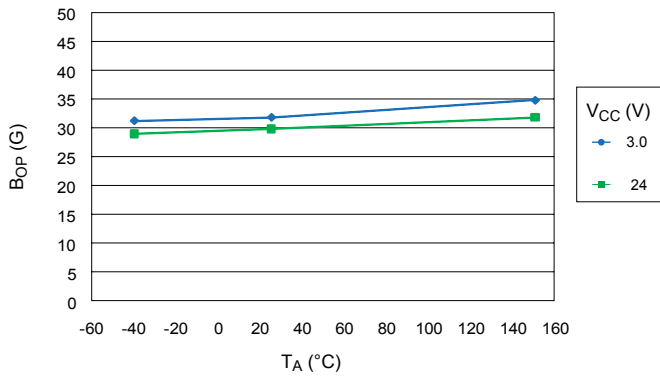


Average Output Saturation Voltage versus Supply Voltage

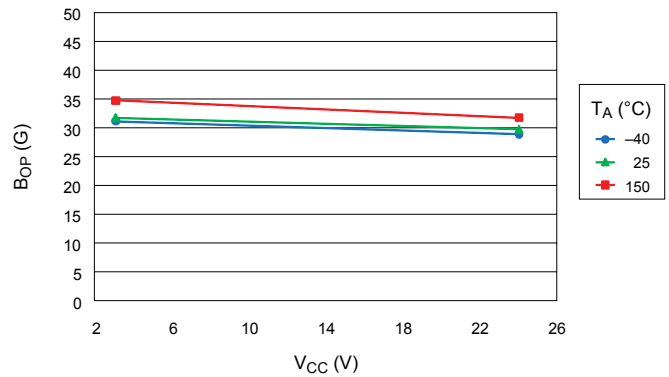


## A1120 and A1125 Magnetic Characteristics

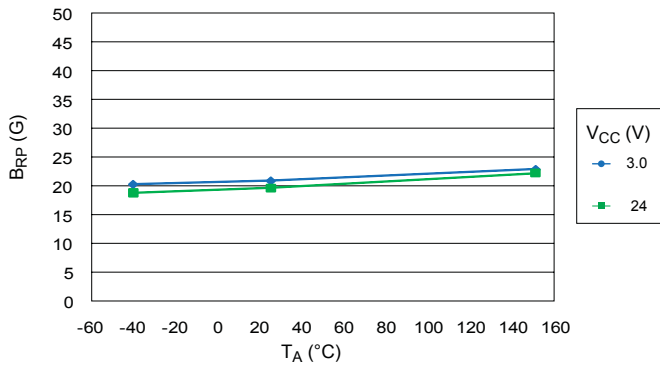
Average Operate Point versus Ambient Temperature



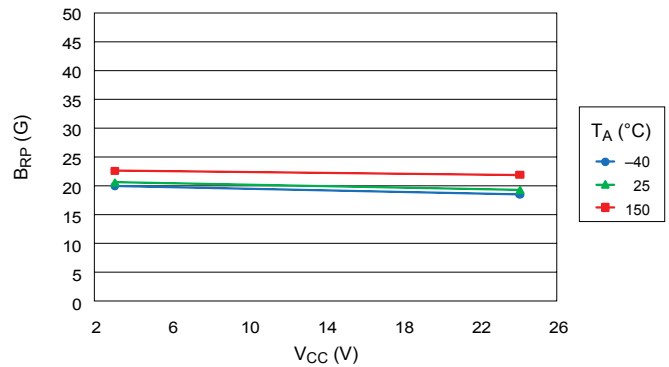
Average Operate Point versus Average Supply Voltage



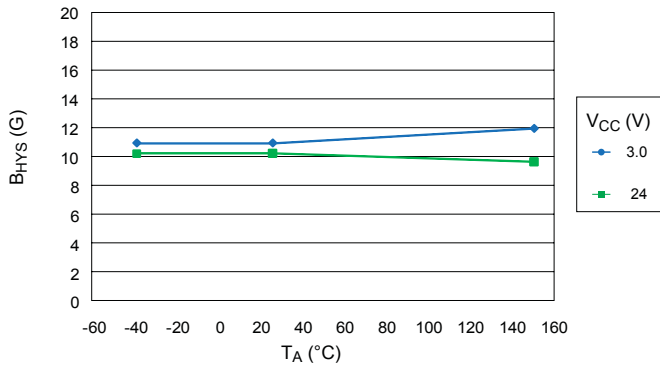
Average Release Point versus Ambient Temperature



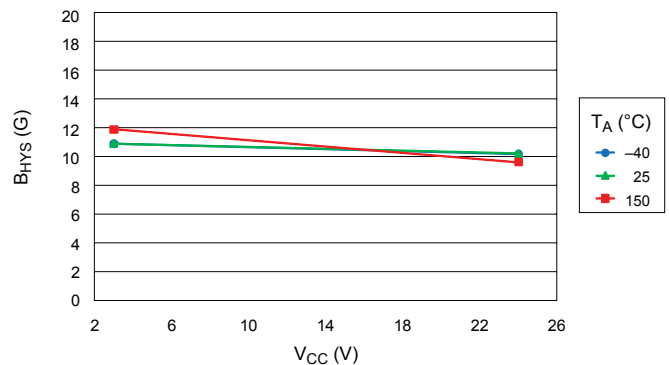
Average Release Point versus Average Supply Voltage



Average Switchpoint Hysteresis versus Ambient Temperature

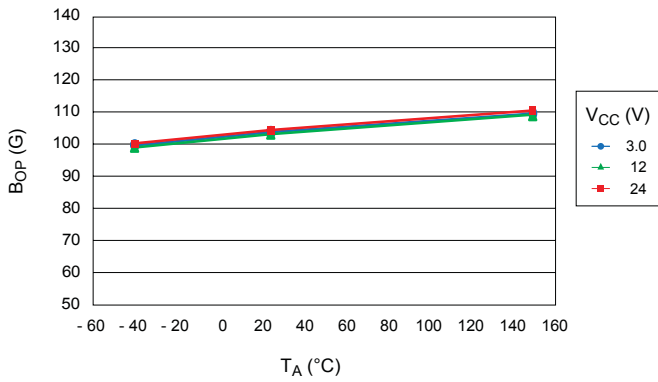


Average Switchpoint Hysteresis versus Supply Voltage

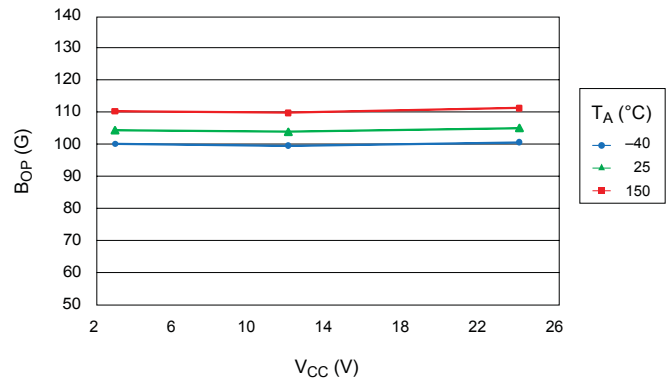


## A1121 Magnetic Characteristics

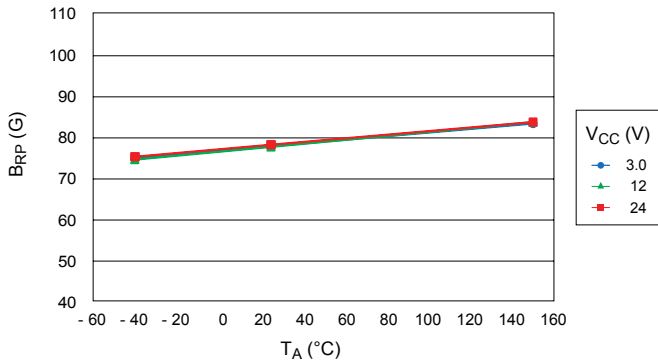
Operate Point versus Ambient Temperature



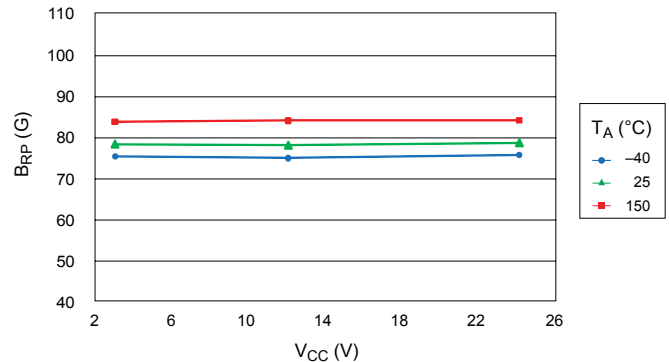
Operate Point versus Average Supply Voltage



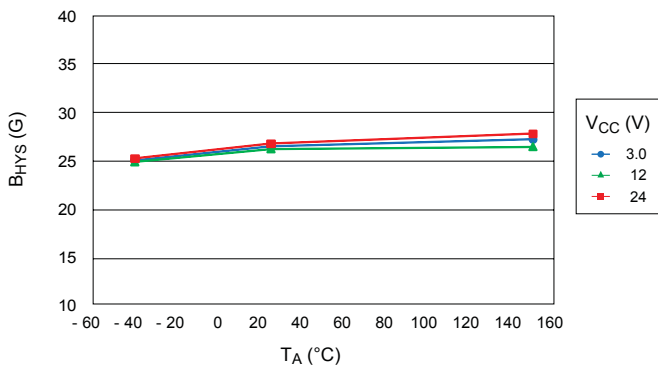
Release Point versus Ambient Temperature



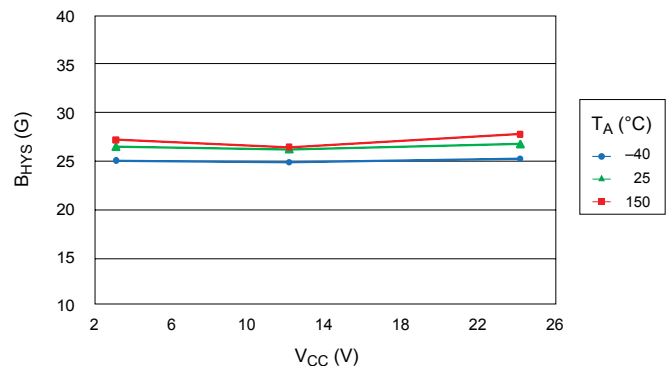
Release Point versus Average Supply Voltage



Switchpoint Hysteresis versus Ambient Temperature



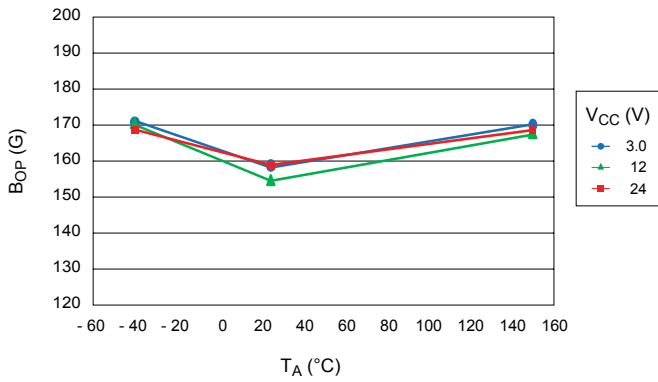
Switchpoint Hysteresis versus Supply Voltage



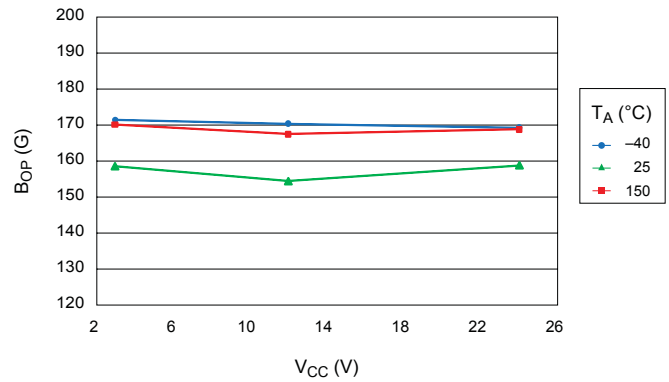


## A1122 Magnetic Characteristics

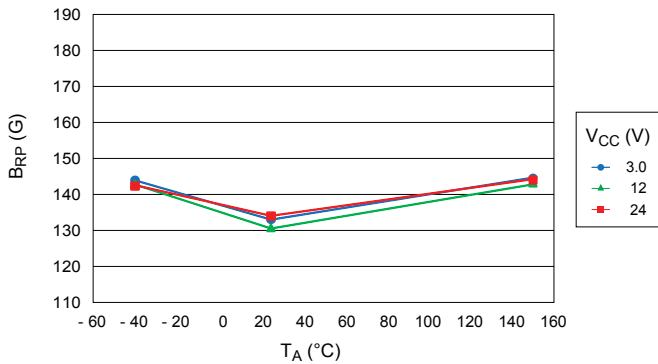
Operate Point versus Ambient Temperature



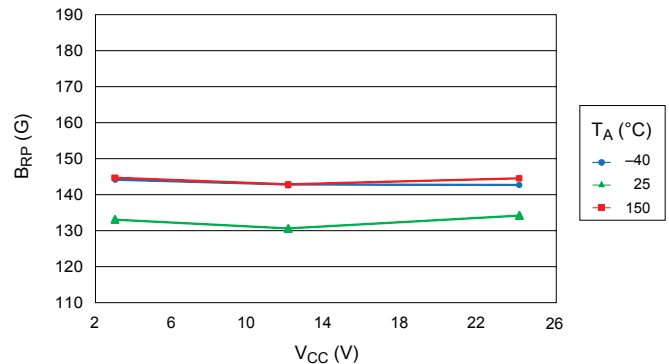
Operate Point versus Average Supply Voltage



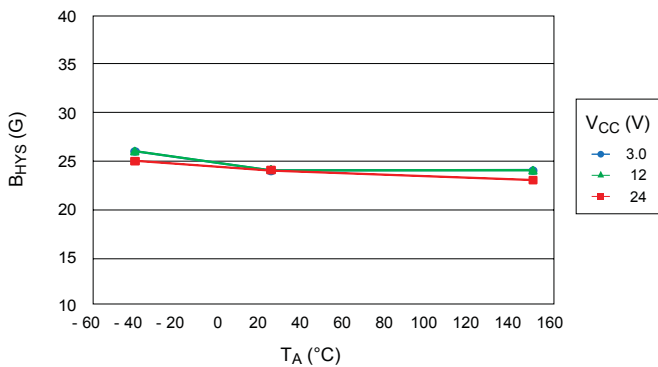
Release Point versus Ambient Temperature



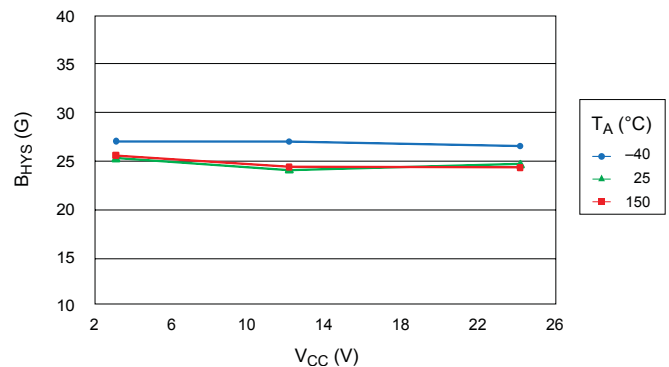
Release Point versus Average Supply Voltage



Switchpoint Hysteresis versus Ambient Temperature



Switchpoint Hysteresis versus Supply Voltage



## Functional Description

### Operation

The output of the A1120, A1121, and A1122 devices switches low (turns on) when a magnetic field perpendicular to the Hall element exceeds the operate point threshold,  $B_{OP}$  (see panel A of figure 1). When the magnetic field is reduced below the release point,  $B_{RP}$ , the device output goes high (turns off). The output of the A1125 devices switches high (turns off) when a magnetic field perpendicular to the Hall element exceeds the operate point threshold,  $B_{OP}$  (see panel B of figure 1). When the magnetic field is reduced below the release point,  $B_{RP}$ , the device output goes low (turns on).

After turn-on, the output voltage is  $V_{OUT(SAT)}$ . The output transistor is capable of sinking current up to the short circuit current limit,  $I_{OM}$ , which is a minimum of 30 mA.

The difference in the magnetic operate and release points is the hysteresis,  $B_{HYS}$ , of the device. This built-in hysteresis allows clean switching of the output even in the presence of external mechanical vibration and electrical noise. Powering-on the device in the hysteresis range (less than  $B_{OP}$  and higher than  $B_{RP}$ ) will

give an indeterminate output state. The correct state is attained after the first excursion beyond  $B_{OP}$  or  $B_{RP}$ .

### Applications

It is strongly recommended that an external bypass capacitor be connected (in close proximity to the Hall element) between the supply and ground of the device to reduce external noise in the application. As is shown in panel B of figure 1, a 0.1  $\mu\text{F}$  capacitor is typical.

Extensive applications information for Hall effect devices is available in:

- *Hall-Effect IC Applications Guide*, Application Note 27701
- *Guidelines for Designing Subassemblies Using Hall-Effect Devices*, Application Note 27703.1
- *Soldering Methods for Allegro's Products – SMT and Through-Hole*, Application Note 26009

All are provided in *Allegro Electronic Data Book*, AMS-702, and the Allegro Web site, [www.allegromicro.com](http://www.allegromicro.com).

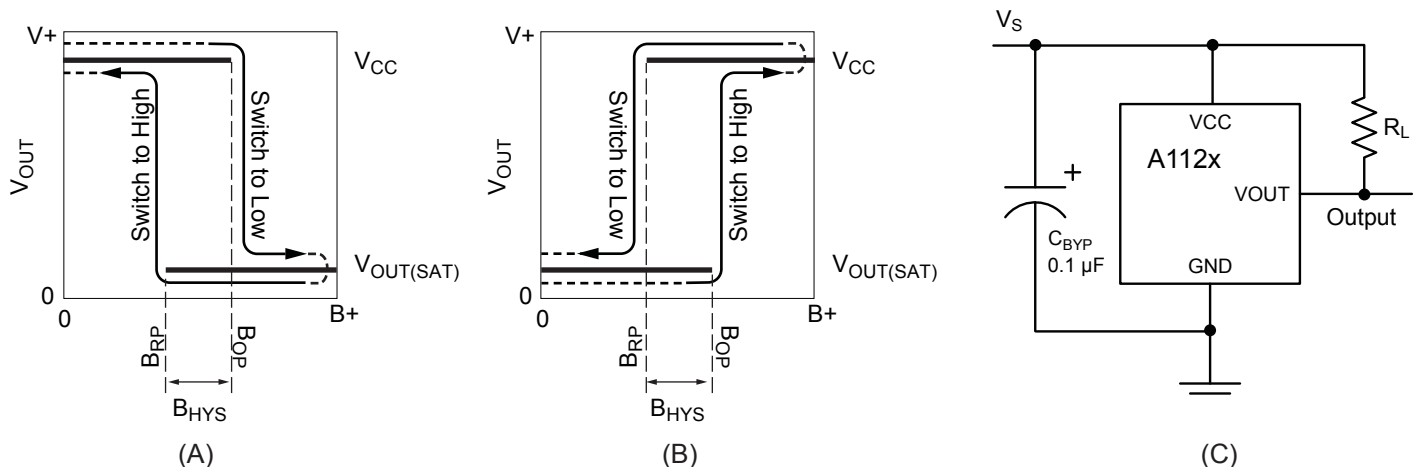


Figure 1. Device switching behavior. In panels A and B, on the horizontal axis, the B+ direction indicates increasing south polarity magnetic field strength. This behavior can be exhibited when using an electrical circuit such as that shown in panel C.

## Chopper Stabilization Technique

When using Hall effect technology, a limiting factor for switchpoint accuracy is the small signal voltage developed across the Hall element. This voltage is disproportionately small relative to the offset that can be produced at the output of the Hall element. This makes it difficult to process the signal while maintaining an accurate, reliable output over the specified operating temperature and voltage ranges.

Chopper stabilization is a unique approach used to minimize Hall offset on the chip. The patented Allegro technique, namely Dynamic Quadrature Offset Cancellation, removes key sources of the output drift induced by thermal and mechanical stresses. This offset reduction technique is based on a signal modulation-demodulation process. The undesired offset signal is separated from the magnetic field-induced signal in the frequency domain, through modulation. The subsequent demodulation acts as a modulation process for the offset, causing the magnetic field induced signal to recover its original spectrum at baseband, while the dc offset becomes a high-frequency signal. The magnetic sourced signal then can pass through a low-pass filter, while the modulated DC offset is suppressed. This configuration is illustrated in figure 2.

The chopper stabilization technique uses a 400 kHz high frequency clock. For demodulation process, a sample and hold technique is used, where the sampling is performed at twice the chopper frequency (800 kHz). This high-frequency operation allows a greater sampling rate, which results in higher accuracy and faster signal-processing capability. This approach desensitizes the chip to the effects of thermal and mechanical stresses, and produces devices that have extremely stable quiescent Hall output voltages and precise recoverability after temperature cycling. This technique is made possible through the use of a BiCMOS process, which allows the use of low-offset, low-noise amplifiers in combination with high-density logic integration and sample-and-hold circuits.

The repeatability of magnetic field-induced switching is affected slightly by a chopper technique. However, the Allegro high frequency chopping approach minimizes the affect of jitter and makes it imperceptible in most applications. Applications that are more likely to be sensitive to such degradation are those requiring precise sensing of alternating magnetic fields; for example, speed sensing of ring-magnet targets. For such applications, Allegro recommends its digital device families with lower sensitivity to jitter. For more information on those devices, contact your Allegro sales representative.

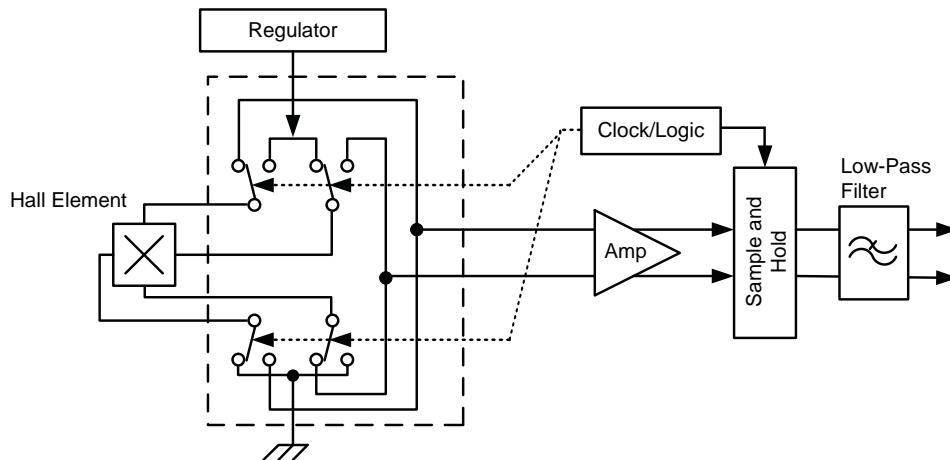


Figure 2. Model of chopper stabilization technique

## Power Derating

The device must be operated below the maximum junction temperature of the device,  $T_{J(max)}$ . Under certain combinations of peak conditions, reliable operation may require derating supplied power or improving the heat dissipation properties of the application. This section presents a procedure for correlating factors affecting operating  $T_J$ . (Thermal data is also available on the Allegro MicroSystems website.)

The Package Thermal Resistance,  $R_{\theta JA}$ , is a figure of merit summarizing the ability of the application and the device to dissipate heat from the junction (die), through all paths to the ambient air. Its primary component is the Effective Thermal Conductivity,  $K$ , of the printed circuit board, including adjacent devices and traces. Radiation from the die through the device case,  $R_{\theta JC}$ , is relatively small component of  $R_{\theta JA}$ . Ambient air temperature,  $T_A$ , and air motion are significant external factors, damped by overmolding.

The effect of varying power levels (Power Dissipation,  $P_D$ ), can be estimated. The following formulas represent the fundamental relationships used to estimate  $T_J$ , at  $P_D$ .

$$P_D = V_{IN} \times I_{IN} \quad (1)$$

$$\Delta T = P_D \times R_{\theta JA} \quad (2)$$

$$T_J = T_A + \Delta T \quad (3)$$

For example, given common conditions such as:  $T_A = 25^\circ\text{C}$ ,  $V_{CC} = 12\text{ V}$ ,  $I_{CC} = 1.6\text{ mA}$ , and  $R_{\theta JA} = 165\text{ }^\circ\text{C/W}$ , then:

$$P_D = V_{CC} \times I_{CC} = 12\text{ V} \times 1.6\text{ mA} = 19\text{ mW}$$

$$\Delta T = P_D \times R_{\theta JA} = 19\text{ mW} \times 165\text{ }^\circ\text{C/W} = 3^\circ\text{C}$$

$$T_J = T_A + \Delta T = 25^\circ\text{C} + 3^\circ\text{C} = 28^\circ\text{C}$$

A worst-case estimate,  $P_{D(max)}$ , represents the maximum allowable power level ( $V_{CC(max)}$ ,  $I_{CC(max)}$ ), without exceeding  $T_{J(max)}$ , at a selected  $R_{\theta JA}$  and  $T_A$ .

*Example:* Reliability for  $V_{CC}$  at  $T_A = 150^\circ\text{C}$ , package LH, using a minimum-K PCB.

Observe the worst-case ratings for the device, specifically:  $R_{\theta JA} = 228^\circ\text{C/W}$ ,  $T_{J(max)} = 165^\circ\text{C}$ ,  $V_{CC(max)} = 24\text{ V}$ , and  $I_{CC(max)} = 4\text{ mA}$ .

Calculate the maximum allowable power level,  $P_{D(max)}$ . First, invert equation 3:

$$\Delta T_{max} = T_{J(max)} - T_A = 165^\circ\text{C} - 150^\circ\text{C} = 15^\circ\text{C}$$

This provides the allowable increase to  $T_J$  resulting from internal power dissipation. Then, invert equation 2:

$$P_{D(max)} = \Delta T_{max} \div R_{\theta JA} = 15^\circ\text{C} \div 228\text{ }^\circ\text{C/W} = 66\text{ mW}$$

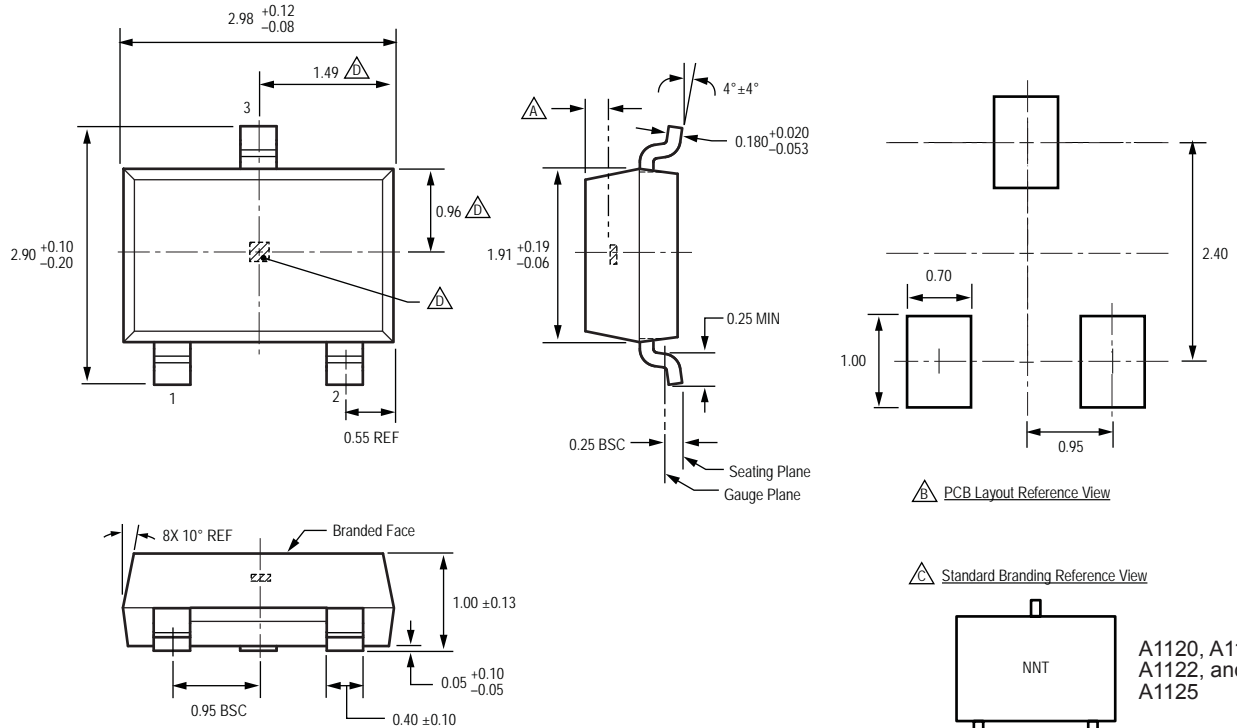
Finally, invert equation 1 with respect to voltage:

$$V_{CC(est)} = P_{D(max)} \div I_{CC(max)} = 66\text{ mW} \div 4\text{ mA} = 16.5\text{ V}$$

The result indicates that, at  $T_A$ , the application and device can dissipate adequate amounts of heat at voltages  $\leq V_{CC(est)}$ .

Compare  $V_{CC(est)}$  to  $V_{CC(max)}$ . If  $V_{CC(est)} \leq V_{CC(max)}$ , then reliable operation between  $V_{CC(est)}$  and  $V_{CC(max)}$  requires enhanced  $R_{\theta JA}$ . If  $V_{CC(est)} \geq V_{CC(max)}$ , then operation between  $V_{CC(est)}$  and  $V_{CC(max)}$  is reliable under these conditions.

## Package LH, 3-Pin (SOT-23W)

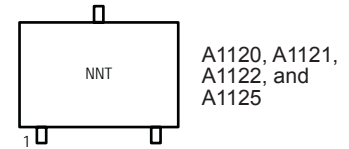


For Reference Only; not for tooling use (reference dwg. 802840)  
Dimensions in millimeters  
Dimensions exclusive of mold flash, gate burrs, and dambar protrusions  
Exact case and lead configuration at supplier discretion within limits shown

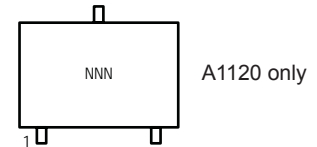
- Active Area Depth, 0.28 mm REF
- Reference land pattern layout  
All pads a minimum of 0.20 mm from all adjacent pads; adjust as necessary to meet application process requirements and PCB layout tolerances
- Branding scale and appearance at supplier discretion
- Hall element, not to scale

PCB Layout Reference View

Standard Branding Reference View

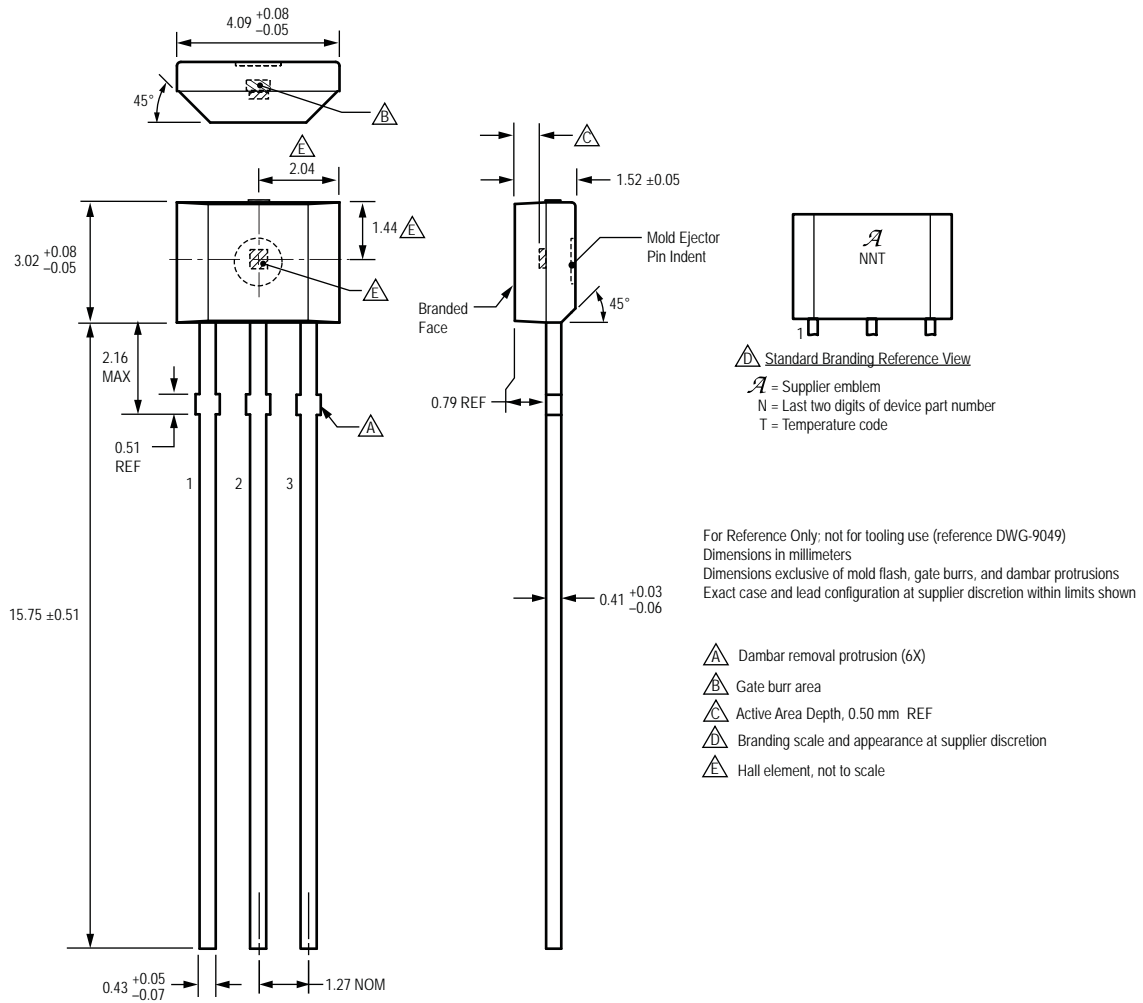


N = Last two digits of device part number  
T = Temperature code (letter)



N = Last three digits of device part number

## Package UA, 3-Pin SIP



**Revision History**

| Revision | Revision Date | Description of Revision    |
|----------|---------------|----------------------------|
| Rev. 14  | May 24, 2012  | Update LH package branding |
|          |               |                            |

Copyright ©2009-2012, Allegro MicroSystems, Inc.

Allegro MicroSystems, Inc. reserves the right to make, from time to time, such departures from the detail specifications as may be required to permit improvements in the performance, reliability, or manufacturability of its products. Before placing an order, the user is cautioned to verify that the information being relied upon is current.

Allegro's products are not to be used in life support devices or systems, if a failure of an Allegro product can reasonably be expected to cause the failure of that life support device or system, or to affect the safety or effectiveness of that device or system.

The information included herein is believed to be accurate and reliable. However, Allegro MicroSystems, Inc. assumes no responsibility for its use; nor for any infringement of patents or other rights of third parties which may result from its use.

For the latest version of this document, visit our website:  
[www.allegromicro.com](http://www.allegromicro.com)

