

注記
NOTES

1. 材質 MATERIAL
 ハウジング : 液晶ポリマー-UL94V-0
 HOUSING : LIQUID CRYSTAL POLYMER [LCP] UL94V-0
 ターミナル : 銅合金
 TERMINAL : COPPER ALLOY
 ネール : 銅合金
 NAIL : COPPER ALLOY
2. メッキ仕様 PLATING
 接点部 : 金メッキ 0.1µm
 CONTACT AREA : GOLD PLATING 0.1µm
 半田付け部 : 金メッキ 0.1µm
 SOLDER TAIL AREA : GOLD PLATING 0.1µm
 下地メッキ : ニッケルメッキ 1.0µm
 UNDER PLATING : NICKEL PLATING 1.0µm
 ネール : 錫メッキ 1.0µmMIN.
 NAIL : TIN PLATING 1.0µmMIN.
 下地メッキ : ニッケルメッキ 1.0µmMIN.
 UNDER PLATING : NICKEL PLATING 1.0µmMIN.
3. テール及びネールの平坦度は0.1以下
 TAIL AND NAIL COPLANARITY : 0.1 MAX.
4. 嵌合相手: 500024 シリーズ。
 MATE WITH : 500024 SERIES.
5. 本製品は 500027-**29 の鉛フリー品である。
 THIS PRODUCT IS LEAD FREE OF 500027-**29.

17.7	15.6	500027-8049	—#—	—#—	80
15.7	13.6	500027-7049	—#—	—#—	70
14.5	12.4	500027-6449	—#—	—#—	64
13.7	11.6	500027-6049	—#—	—#—	60
11.7	9.6	500027-5049	—#—	—#—	50
9.7	7.6	500027-4049	—#—	○	40
8.5	6.4	500027-3449	—#—	—#—	34
7.7	5.6	500027-3049	—#—	—#—	30
6.5	4.4	500027-2449	○	—#—	24
5.7	3.6	500027-2049	○	—#—	20
4.9	2.8	500027-1649	○	—#—	16

500027-**49
MODEL NO.

RELEASED EC NO: J2005-2190 DRAWN: NABEI CHKD: KTOJO APPR: NUKITA 2005/02/02 2005/02/02 2005/02/02	GENERAL TOLERANCES (UNLESS SPECIFIED)		DIMENSION STYLE MM ONLY		SCALE ---	DESIGN UNITS METRIC	THIRD ANGLE PROJECTION	
	10 UNDER	±0.2	DRAWN BY M. NABEI	DATE '05/01/27	TITLE 0.4MM B/B CONN. H=0.95 PLUG HS'G ASS'Y -LEAD FREE-			
	10 OVER 30 UNDER	±0.25	CHECKED BY K. TOJO	DATE '05/01/27	MOLEX INCORPORATED			
	30 OVER	±0.3	APPROVED BY N. UKITA	DATE '05/01/27	DOCUMENT NO. SD-500027-028			
	ANGULAR	±1 °	MATERIAL NO. SEE CHART	DATE	SHEET NO. 1 OF 2			
0	DRAFT WHERE APPLICABLE MUST REMAIN WITHIN DIMENSIONS		SIZE A3		THIS DRAWING CONTAINS INFORMATION THAT IS PROPRIETARY TO MOLEX INCORPORATED AND SHOULD NOT BE USED WITHOUT WRITTEN PERMISSION			

10 9 8 7 6 5 4 3 2 1

F

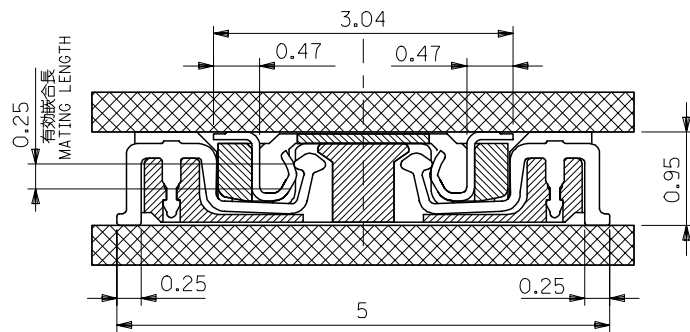
E

D

C

B

A

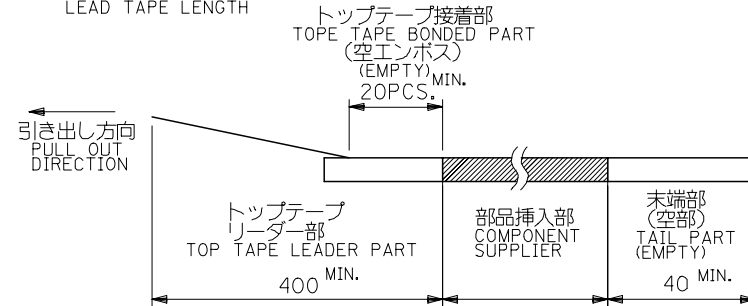
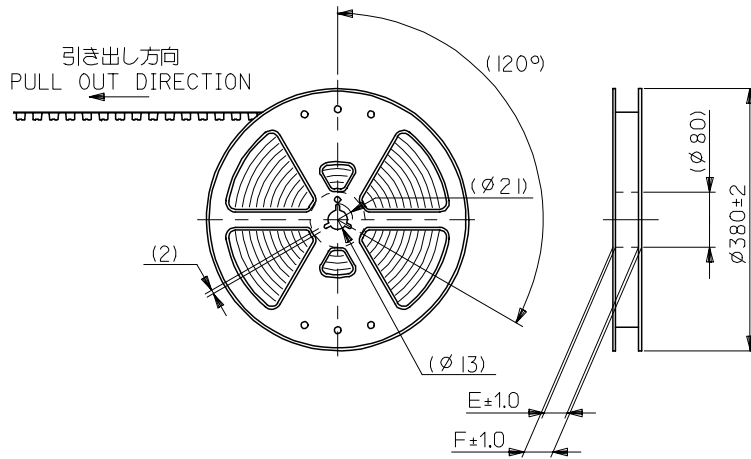


嵌合断面図 (参考)
MATED DRAWING

RELEASED		GENERAL TOLERANCES (UNLESS SPECIFIED)		DIMENSION STYLE		SCALE	DESIGN UNITS	MODEL NO.	
EC NO: J2005-2190	2005/02/02	10 UNDER ±0.2		MM ONLY		---	METRIC	500027-***49	
DRWN: NABEI	2005/02/02	10 OVER 30 UNDER ±0.25		DRAWN BY DATE		THIRD ANGLE PROJECTION		TITLE	
CHKD: KTOJO	2005/02/02	30 OVER ±0.3		M. NABEI '05/01/27		MATERIAL NO.		0.4MM B/B CONN. H=0.95 PLUG HS'G ASS'Y -LEAD FREE-	
APP: NUKITA	2005/02/02	ANGULAR ±1 °		CHECKED BY DATE		DOCUMENT NO.		MOLEX INCORPORATED	
REV	DESCRIPTION	DRAFT WHERE APPLICABLE MUST REMAIN WITHIN DIMENSIONS		N. UKITA '05/01/27		SD-500027-028		SHEET NO. 2 OF 2	
0				SEE CHART					
				SIZE A3		THIS DRAWING CONTAINS INFORMATION THAT IS PROPRIETARY TO MOLEX INCORPORATED AND SHOULD NOT BE USED WITHOUT WRITTEN PERMISSION			

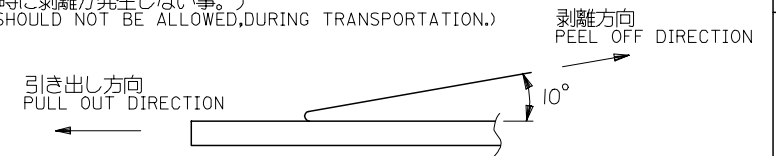
注)
NOTES

1. 製品番号 500027-**49. 詳細寸法については、製品単体図面を参照下さい。
IN THE PACKAGE PART NUMBER 500027-**49 DETAILED DIMENSIONS, SEE SALES DRAWING FOR CONNECTOR.
2. 梱包数量 : 3000個/リール
NUMBER OF CONNECTORS : 3000 PCS/REEL.
3. リードテープ長さ
LEAD TAPE LENGTH



4. トップテープの剥離強度 : (剥離方向は下図参照)
PEELING OFF FORCE OF TOP TAPE (PELLING DIRECTION AS SHOWN IN FOLLOWING FIGURE.)
0. 1~1. 3N (10~130gf)

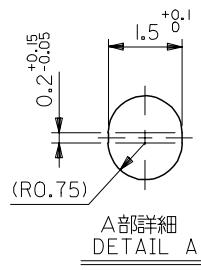
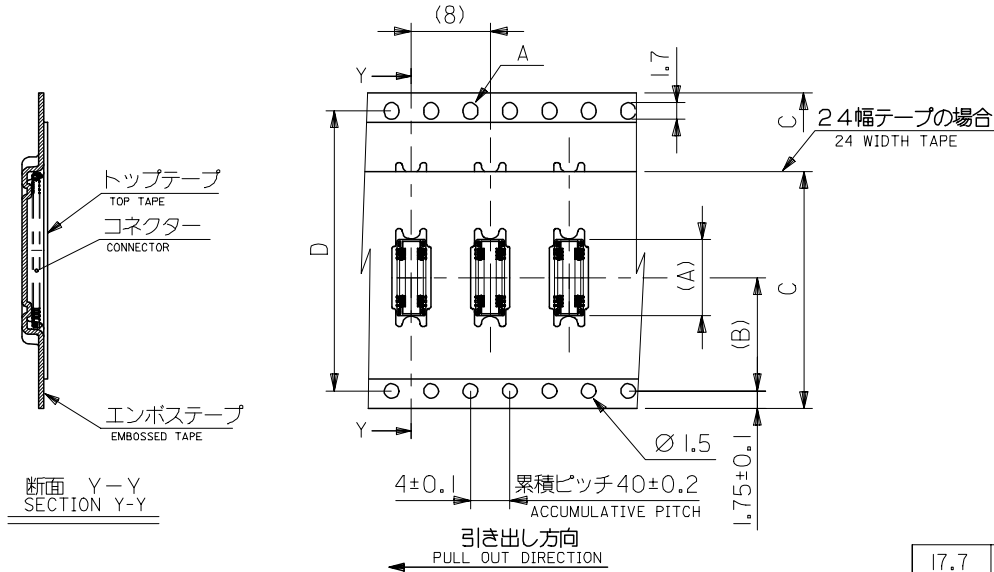
尚、本規格値は、出荷時に適用。
THIS REQUIREMENT SHOULD BE APPLIED AT SHIPMENT.
(但し、輸送時に剥離が発生しない事。)
(PEEL OFF SHOULD NOT BE ALLOWED, DURING TRANSPORTATION.)



5. 材料
MATERIAL
キャリアテープ: ポリプロピレン (PP)
CARRIER TAPE: POLYPROPYLENE (PP)
トップテープ: PET, PE, PEF
TOP TAPE: PET, PE, PEF
リール: ポリスチレン
REEL: POLYSTYRENE

6. 本製品は 500027-**22 の鉛フリー品である。
THIS PRODUCT IS LEAD FREE OF 500027-**22.

500027-**42		MODEL NO.	
DESIGN UNITS METRIC		THIRD ANGLE PROJECTION	
GENERAL TOLERANCES (UNLESS SPECIFIED)		DIMENSION STYLE MM ONLY	
SCALE ---		DRAWN BY M. NABE I	
DATE '05/01/27		TITLE 500027-**49 TAPING PACKAGE -LEAD FREE-	
10 UNDER ±0.2		CHECKED BY K. TOJO	
10 OVER 30 UNDER ±0.25		DATE '05/01/27	
30 OVER ±0.3		APPROVED BY N. UKITA	
ANGULAR ±3 °		DATE '05/01/27	
DRAFT WHERE APPLICABLE MUST REMAIN WITHIN DIMENSIONS		MATERIAL NO. SEE CHART	
SIZE A3		DOCUMENT NO. SD-500027-030	
REV 0		SHEET NO. 1 OF 2	



17.7	14.2	32±0.3	28.4	33.4	37.4	500027-8049	500027-8042	80
15.7	14.2	32±0.3	28.4	33.4	37.4	500027-7049	500027-7042	70
14.5	14.2	32±0.3	28.4	33.4	37.4	500027-6449	500027-6442	64
13.7	14.2	32±0.3	28.4	33.4	37.4	500027-6049	500027-6042	60
11.7	11.5	24±0.3	—#—	25.4	29.4	500027-5049	500027-5042	50
9.7	11.5	24±0.3	—#—	25.4	29.4	500027-4049	500027-4042	40
8.5	11.5	24±0.3	—#—	25.4	29.4	500027-3449	500027-3442	34
7.7	11.5	24±0.3	—#—	25.4	29.4	500027-3049	500027-3042	30
6.5	11.5	24±0.3	—#—	25.4	29.4	500027-2449	500027-2442	24
5.7	11.5	24±0.3	—#—	25.4	29.4	500027-2049	500027-2042	20
4.9	11.5	24±0.3	—#—	25.4	29.4	500027-1649	500027-1642	16
(A)	(B)	C	D	E	F	CONNECTOR	MATERIAL No.	CIRCUIT

500027-**42
MODEL NO.

RELEASED EC NO: J2005-2190 DRAWN: MABEI CHKD: KTOJO APPR: NUKITA 2005/02/02 2005/02/02 2005/02/02	GENERAL TOLERANCES (UNLESS SPECIFIED)		DIMENSION STYLE MM ONLY		SCALE ---	DESIGN UNITS METRIC	THIRD ANGLE PROJECTION	
	10 UNDER	±0.2	DRAWN BY M. NABEI	DATE '05/01/27	TITLE 500027-**49 TAPING PACKAGE -LEAD FREE-			
	10 OVER 30 UNDER	±0.25	CHECKED BY K. TOJO	DATE '05/01/27				
	30 OVER	±0.3	APPROVED BY N. UKITA	DATE '05/01/27	MOLEX INCORPORATED DOCUMENT NO. SD-500027-030 SHEET NO. 2 OF 2			
	ANGULAR	±3 °	MATERIAL NO.	SEE CHART				
0	DRAFT WHERE APPLICABLE MUST REMAIN WITHIN DIMENSIONS		SIZE A3		THIS DRAWING CONTAINS INFORMATION THAT IS PROPRIETARY TO MOLEX INCORPORATED AND SHOULD NOT BE USED WITHOUT WRITTEN PERMISSION			