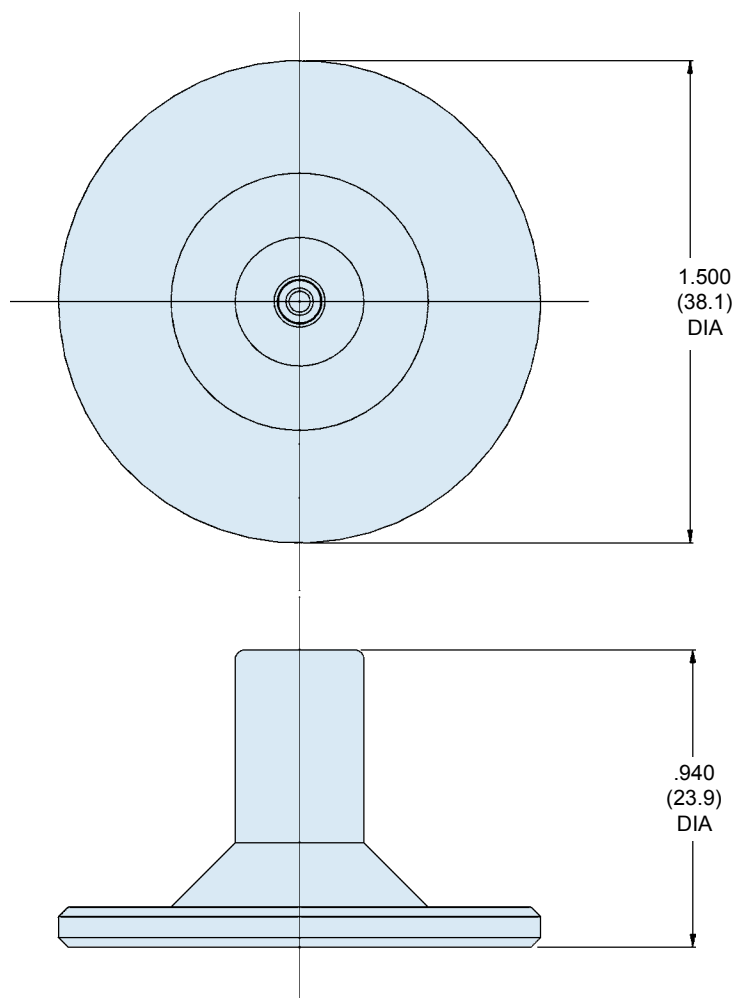


182-002 W

Product Series ————|
Basic Number ————|
W = Wet Polish Supplied ————|
with V-Grooves
(Omit for Dry Polish)



APPLICATION NOTES

1. Assembly packaged in plastic bag and tag identified with manufacturer's name and part number.
2. Assembly marked with "TEST PROBE" and part number.
3. Material/Finish: Stainless Steel/Passivated.
4. Metric Dimensions (mm) are indicated in parentheses.