

## FEATURES AND SPECIFICATIONS

### Features and Benefits

- Housing is compatible with SMT processing
- Board polarization peg available
- Date-coded assembly
- Retentive tail feature available
- Reverse tail pattern available
- Smooth contact surface, blanked terminal

### Reference Information

Product Specification: PS-79058  
 UL File No.: E29179  
 CSA File No.: LR19980A-281  
 Designed In: Inches

### Electrical

Voltage: 30V  
 Current: 1.0A  
 Contact Resistance: 25mΩ max.  
 Dielectric Withstanding Voltage: 500V AC  
 Insulation Resistance: 1000 MΩ min.

### Mechanical

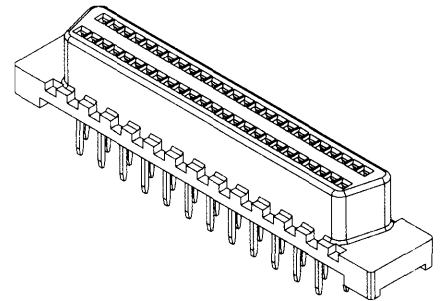
Mating Force: 5.3 oz max.  
 Unmating Force: 1.0 oz min.  
 Normal Force: 100g

### Physical

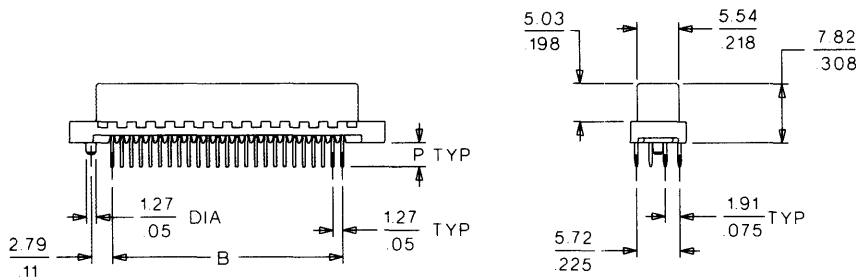
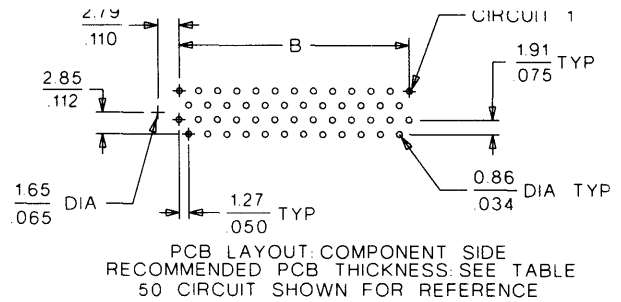
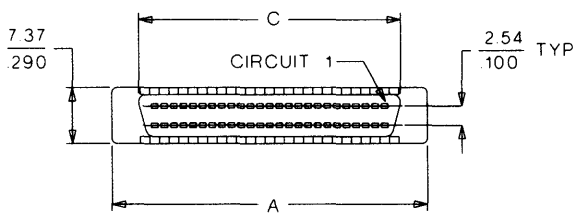
Housing: Black high-temperature thermoplastic, UL 94V-0  
 Contact: Phosphor Bronze  
 Plating: 30μ" Gold in contact area, 75μ" Tin/Lead on solder tails, all over Nickel overall  
 Operating Temperature: -55 to +105°C

**molex**® 1.27mm (.050") Pitch  
**SCSI+**  
**Unshielded Receptacle**

**70491**  
**Vertical, All Plastic**  
**Without Latches**



## CATALOG DRAWING (FOR REFERENCE ONLY)



## ORDERING INFORMATION AND DIMENSIONS

Circuits	Order No.		Dimension				Recommended PCB Thickness
	With Peg	Without Peg	A	B	C	P	
50	15-87-0301	15-87-0201	41.78 (1.645)	30.48 (1.200)	34.70 (1.366)	3.18 (.125)	1.57 (.062)
	15-87-0303	15-87-0203	41.78 (1.645)	30.48 (1.200)	34.70 (1.366)	4.19 (.165)	2.36 (.093)
	15-87-0309	15-87-0209	41.78 (1.645)	30.48 (1.200)	34.70 (1.366)	2.03 (.080)	1.02 (.040)
68	15-87-0305	15-87-0205	53.21 (2.095)	41.91 (1.650)	46.13 (1.816)	3.18 (.125)	1.57 (.062)
	15-87-0307	15-87-0207	53.21 (2.095)	41.91 (1.650)	46.13 (1.816)	4.19 (.165)	2.36 (.093)
	15-87-0311	15-87-0211	53.21 (2.095)	41.91 (1.650)	46.13 (1.816)	2.03 (.080)	1.02 (.040)

Note: Omit .065 hole on PCB for version without peg