

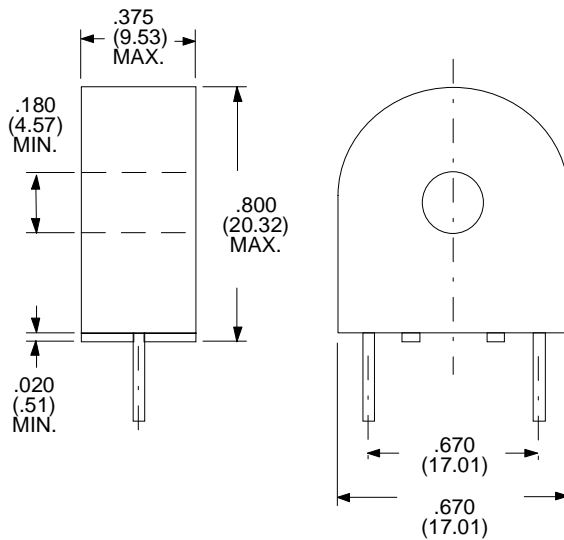
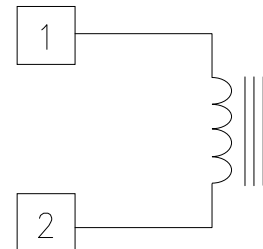
Electrical Specifications at 25°C

Parameter	Min.	Nom.	Max.	Units
Primary Current		10		A
Secondary Current		10		mA
¹ Inductance		2.2		H
DCR		60		Ω
Dielectric	4000			V _{RMS}
Turns Ratio	1000:1			
² Volts Per Amp	0.200			V
² Power	20			mW

¹Tested at 1 V, 60 kHz
²200 Ω Load

CURRENT SENSE INDUCTOR (10 Amps)

SCHEMATIC
DIAGRAM:



PHYSICAL DIMENSIONS
All dimensions in inches (mm):

- 1) Diameter of hole is .170 Min.
- 2) Leads are 20AWG
- 3) Lead length is .370 Min.

RHOMBUS P/N: L-20001	
CUST P/N: 2/21/00	NAME:
DATE:	SHEET: 1 OF 1