

**PLEASE CHECK WWW.MOLEX.COM FOR LATEST PART INFORMATION**

**Part Number:** [0548191572](#)  
**Status:** **Active**  
**Description:** USB On-The-Go (OTG) Mini-B Receptacle, Right Angle, SMT Solder Tails and Shell Tabs, with Cover Tape, Lead-free, LCP Housing

**Documents:**

[3D Model](#) [Product Specification PS-54819-012 \(PDF\)](#)  
[Drawing \(PDF\)](#) [RoHS Certificate of Compliance \(PDF\)](#)  
[Product Specification PS-54819-011 \(PDF\)](#)

**Agency Certification**

UL E29179

**General**

Product Family I/O Connectors  
 Series [54819](#)  
 Application Wire-to-Board  
 Component Type Receptacle  
 Product Name USB, USB OTG (On-The-Go)  
 Type Mini-B

**Physical**

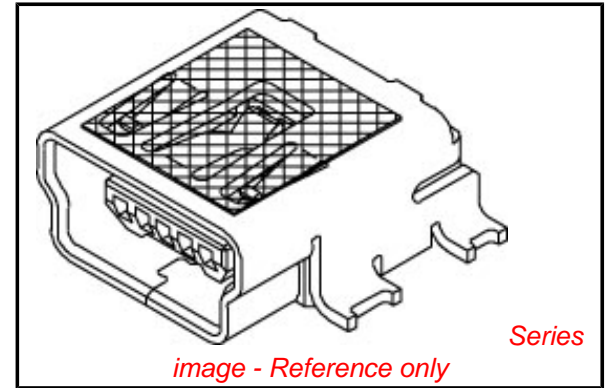
Circuits (Loaded) 5  
 Circuits (maximum) 5  
 Color - Resin Black  
 Flammability 94V-0  
 Lock to Mating Part Yes  
 Material - Metal High Performance Alloy (HPA)  
 Material - Plating Mating Gold  
 Material - Plating Termination Tin  
 Material - Resin High Temperature Thermoplastic  
 Orientation Right Angle  
 PCB Locator No  
 PCB Retention Yes  
 Packaging Type Embossed Tape on Reel  
 Panel Mount No  
 Pitch - Mating Interface (in) 0.031 In  
 Pitch - Mating Interface (mm) 0.80 mm  
 Plating min: Mating (µin) 30.4  
 Plating min: Mating (µm) 0.76  
 Plating min: Termination (µin) 40  
 Plating min: Termination (µm) 1  
 Polarized to Mating Part Yes  
 Surface Mount Compatible (SMC) N/A  
 Temperature Range - Operating 0°C to +50°C  
 Termination Interface: Style Surface Mount  
 Wire Size AWG N/A

**Electrical**

Current - Maximum per Contact 1A  
 Shielded Yes  
 Voltage - Maximum 30V

**Material Info**

**Reference - Drawing Numbers**



*image - Reference only*

**EU RoHS**

**ELV and RoHS Compliant**  
**REACH SVHC Contains SVHC: No**  
**Halogen-Free Status**

**China RoHS**



**Need more information on product environmental compliance?**

Email [productcompliance@molex.com](mailto:productcompliance@molex.com)  
 For a multiple part number RoHS Certificate of Compliance, [click here](#)

Please visit the [Contact Us](#) section for any non-product compliance questions.

**Search Parts in this Series**

[54819Series](#)

**Mates With**

[59204-9401](#) , [59205-3301](#)

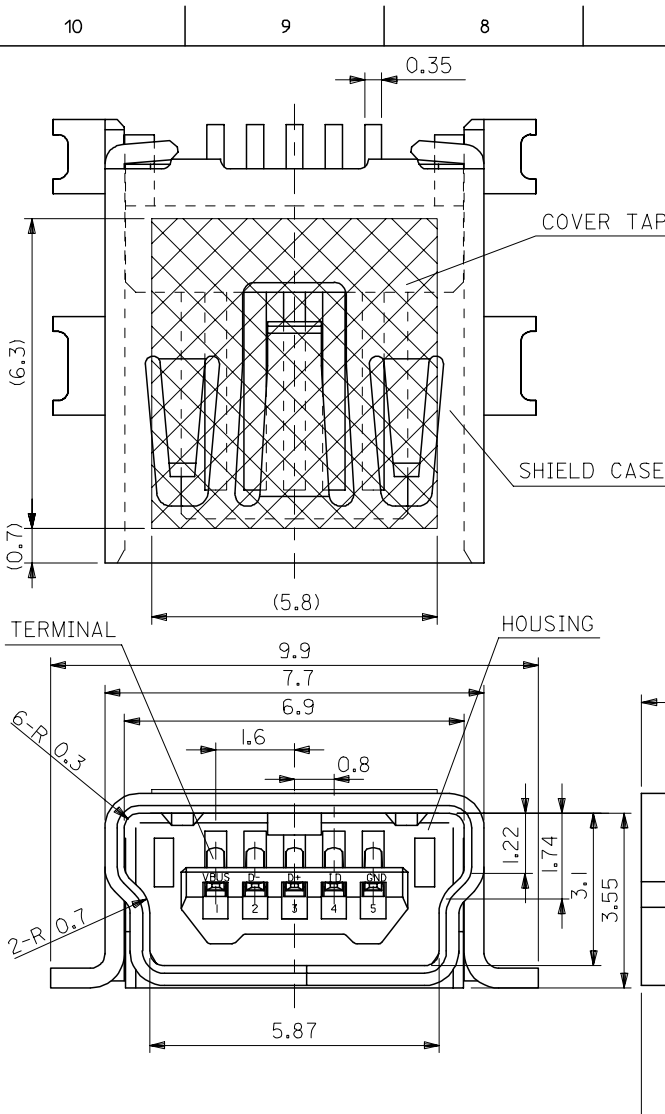
Product Specification

Sales Drawing

PS-54819-011, PS-54819-012, RPS-54819-025,  
RPS-54819-031  
SD-54819-024, SD-54819-025

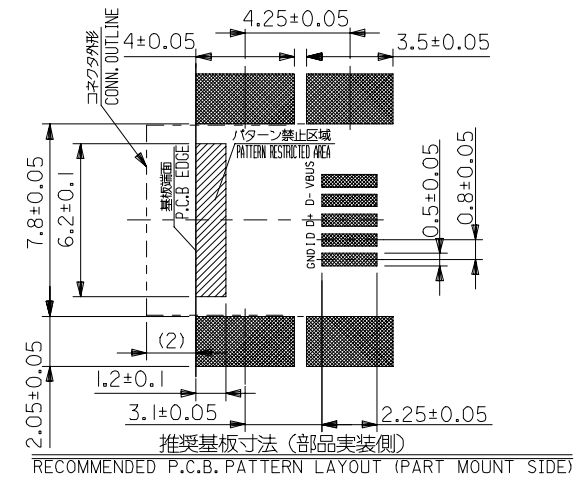
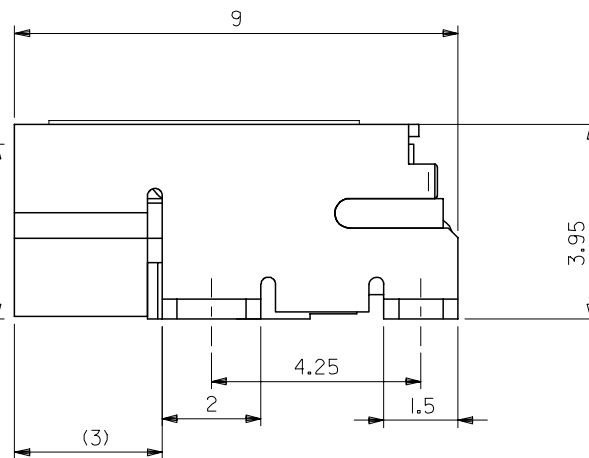
This document was generated on 04/07/2010

**PLEASE CHECK [WWW.MOLEX.COM](http://WWW.MOLEX.COM) FOR LATEST PART INFORMATION**



注記 1. 材質  
 NOTES MATERIAL  
 ハウジング: LCP(LIQUID CRYSTAL POLYMER) 黒色, UL94V-0  
 HOUSING: LCP(LIQUID CRYSTAL POLYMER) BLACK, UL94V-0  
 ターミナル: 銅合金 (t=0.2)  
 TERMINAL: COPPER ALLOY (t=0.2)  
 シールド ケース: 銅合金 (t=0.4)  
 SHIELD CASE: COPPER ALLOY (t=0.4)  
 カバー テープ: ポリイミド (t=0.08)  
 COVER TAPE: POLYIMIDE (t=0.08)

- メッキ仕様  
 PLATING  
 ターミナル  
 TERMINAL  
 接点部: 金メッキ 0.75 μm MIN.  
 CONTACT AREA: GOLD 0.75 MICRO METER MIN.  
 半田付け部: 錫メッキ 1 μm MIN.  
 SOLDER TAIL AREA: TIN 1 MICRO METER MIN.  
 下地部: ニッケルメッキ 4 μm MIN.  
 UNDER PLATING: NICKEL 4 MICRO METER MIN.  
 シールド ケース  
 SHIELD CASE  
 : 錫メッキ 1 μm MIN.  
 : TIN 1 MICRO METER MIN.  
 下地部: ニッケルメッキ 4 μm MIN.  
 UNDER PLATING: NICKEL 4 MICRO METER MIN.
- テール、ネール平坦度は 0.1 mm MAX.  
 TAIL, NAIL COPLANARITY 0.1mm MAX.
- 本製品は 54819-0571, 1571 の鉛フリー品である。  
 THIS PRODUCT IS LEAD FREE OF 54819-0571, 1571.



|            |              |
|------------|--------------|
| 54819-1579 | MATERIAL NO. |
| 54819-0579 | MODEL NO.    |

|  |                                       |        |  |                    |   |                              |                        |
|--|---------------------------------------|--------|--|--------------------|---|------------------------------|------------------------|
| REVISED<br>EC NO: J2006-1106<br>DRW: YANAGI MOTO 2005/10/05<br>CHK: TANAKA 2005/10/06<br>APPR: NUKITA 2005/10/13<br>DESCRIPTION<br>REV | GENERAL TOLERANCES (UNLESS SPECIFIED) |        | DIMENSION STYLE<br>MM ONLY                           |                    | SCALE<br>---  | DESIGN UNIT'S<br>METRIC      | THIRD ANGLE PROJECTION |
|  | 10 UNDER                              | ± 0.2  | DRAWN BY<br>M. NINOMIYA                              | DATE<br>2004/02/16 | TITLE<br>USB SERIES MINI-B RECEPTACLE ASS'Y FOR SMT -LEAD FREE-   |                              |                        |
|  | 10 OVER 30 UNDER                      | ± 0.25 | CHECKED BY<br>K. TOJO                                | DATE<br>2004/02/16 | MOLEX MOLEX INCORPORATED  |                              |                        |
|  | 30 OVER                               | ± 0.3  | APPROVED BY<br>M. SASAO                              | DATE<br>2004/02/16 | MATERIAL NO.<br>SEE CHART   | DOCUMENT NO.<br>SD-54819-024 | SHEET NO.<br>1 OF 2    |
|  | ANGULAR                               | ± 3 °  | DRAFT WHERE APPLICABLE MUST REMAIN WITHIN DIMENSIONS |                    | THIS DRAWING CONTAINS INFORMATION THAT IS PROPRIETARY TO MOLEX INCORPORATED AND SHOULD NOT BE USED WITHOUT WRITTEN PERMISSION |                              |                        |

10 9 8 7 6 5 4 3 2 1

F

F

E

E

D

D

C

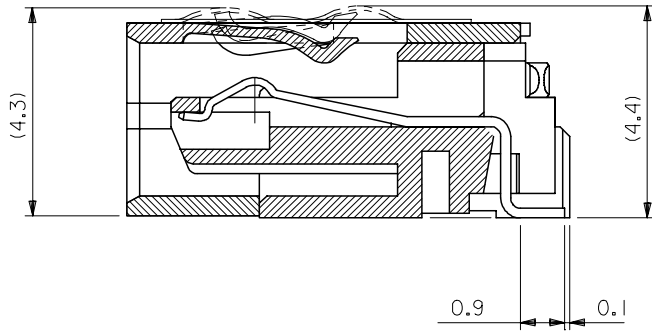
C

B

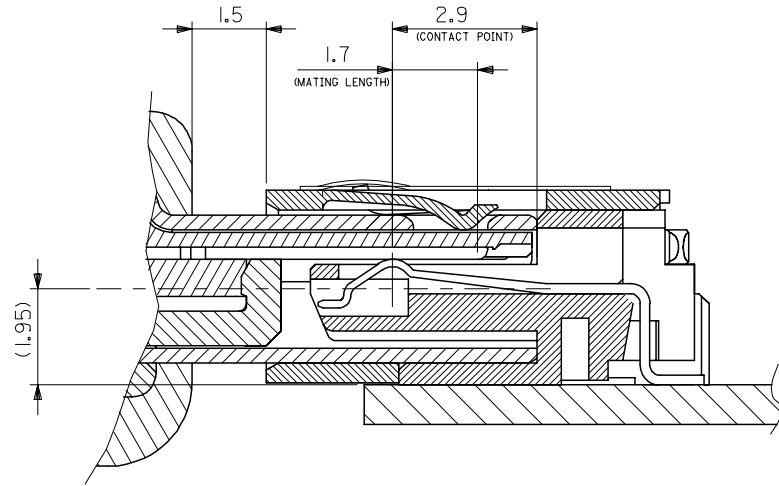
B

A

A



SECTION



MATING

|             |              |
|-------------|--------------|
| 54819-1579  | MATERIAL NO. |
| 54819-***79 | MODEL NO.    |

|  |                                       |   |                            |                    |   |                        |                        |  |
|--|---------------------------------------|---|----------------------------|--------------------|---|------------------------|------------------------|--|
| REVISED<br>EC NO: J2006-1106<br>DRWN: YANAGI MOTO 2005/10/05<br>CHKD: TANAKA 2005/10/06<br>APPR: NUKITA 2005/10/13 | GENERAL TOLERANCES (UNLESS SPECIFIED) |   | DIMENSION STYLE<br>MM ONLY |                    | SCALE<br>---  | DESIGN UNITS<br>METRIC | THIRD ANGLE PROJECTION |  |
|  | 10 UNDER                              | ±0.2  | DRAWN BY<br>M. NINOMIYA    | DATE<br>2004/02/16 | TITLE<br>USB SERIES MINI-B RECEPTACLE ASS'Y FOR SMT -LEAD FREE- |                        |                        |  |
|  | 10 OVER 30 UNDER                      | ±0.25   | CHECKED BY<br>K. TOJO      | DATE<br>2004/02/16 | APPROVED BY<br>M. SASAO 2004/02/16                              |                        |                        |  |
|  | 30 OVER                               | ±0.3  | MATERIAL NO.               |                    | DOCUMENT NO.<br>SD-54819-024                                    |                        | SHEET NO.<br>2 OF 2    |  |
| ANGULAR ±3 °   |                                       | DRAFT WHERE APPLICABLE MUST REMAIN WITHIN DIMENSIONS  |                            | SEE CHART          |   | MOLEX INCORPORATED     |                        |  |
| SIZE<br>A3   |                                       | THIS DRAWING CONTAINS INFORMATION THAT IS PROPRIETARY TO MOLEX INCORPORATED AND SHOULD NOT BE USED WITHOUT WRITTEN PERMISSION |                            |                    |   |                        |                        |  |

9

8

7

6

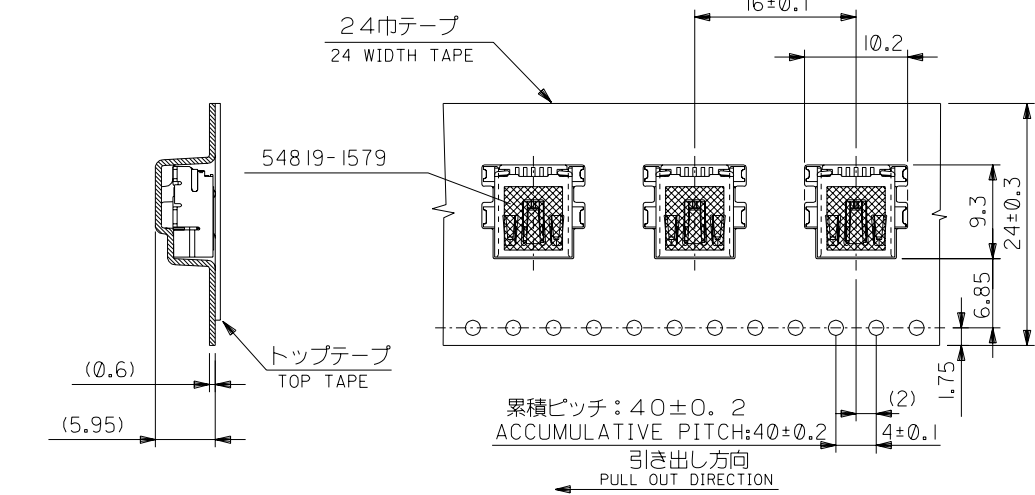
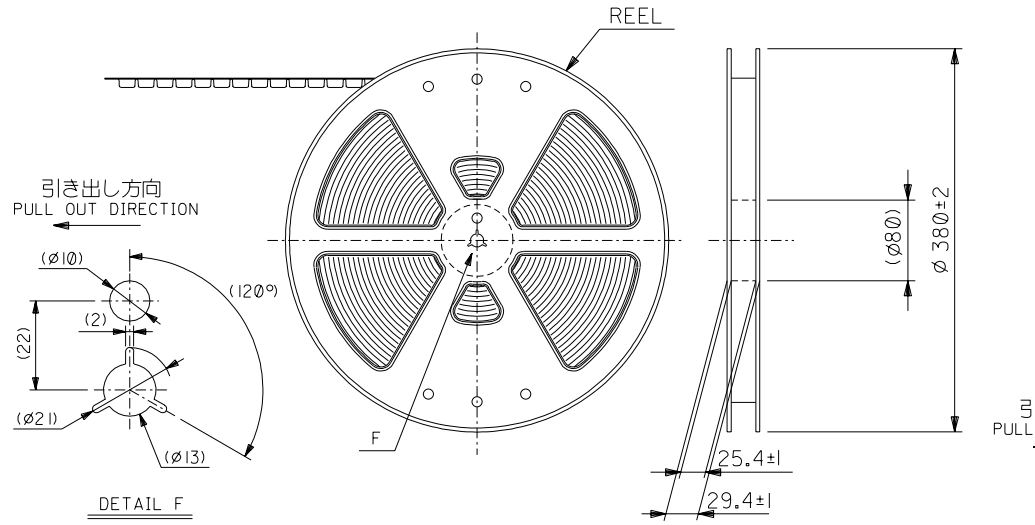
5

4

3

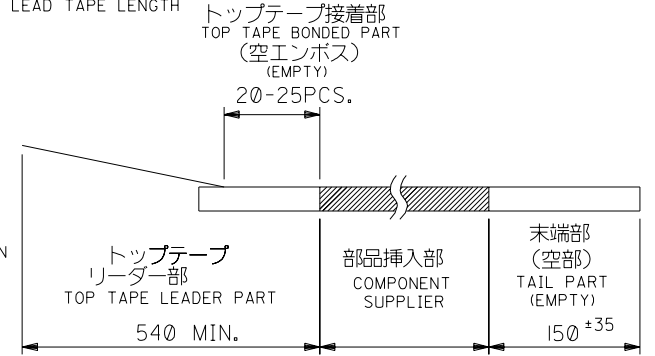
2

DWG. NO. SD-54819-025

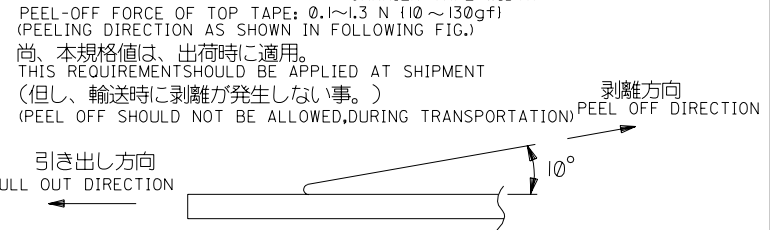


NOTES

- 54819-1579の詳細はSD-54819-024参照  
IN THE PACKAGE PART NO.54819-1579 DETAILED .SEE SD-54819-024
- 梱包数量： 800 個/リール  
NUMBER OF CONNECTORS: 800 PCS/REEL
- リードテープ長さ  
LEAD TAPE LENGTH



- トップテープの剥離強度：0.1～1.3 N (10～130gf)  
(剥離方向は下図参照) キャリアテープ幅：24mm  
PEEL-OFF FORCE OF TOP TAPE: 0.1~1.3 N (10~130gf)  
(PEELING DIRECTION AS SHOWN IN FOLLOWING FIG.) CARRIER TAPE WIDTH



- 材料  
MATERIAL  
キャリアテープ：ポリプロピレン  
CARRIER TAPE: POLYPROPYLENE  
トップテープ：ポリエステル、ポリエチレン  
TOP TAPE: POLYESTER, POLYETHYLENE  
リール：ポリスチレン  
REEL: POLYSTYRENE

- 本製品は 54819-0578,1578 の鉛フリー品である。  
THIS PRODUCT IS LEAD FREE OF 54819-0578,1578.

エンボステープ内の製品の向き  
DIRECTION OF CONNECTOR IN EMBOSSED TAPE

DO NOT SCALE DRAWING

|   |                         |                           |                             |   |
|---|-------------------------|---------------------------|-----------------------------|---|
| 164 NO.<br>DRWN: CH'K: APPR:<br><br>163 NO.<br>DRWN: CH'K: APPR:<br><br>162 NO.<br>DRWN: CH'K: APPR:<br><br>REVISED<br>161 NO. J2004-2727<br>DRWN: M. NINOMIYA '04/02/13<br>CH'K: K. TOJO '04/02/27<br>APPR: M. SASAO '04/02/27<br><br>RELEASED<br>160 NO. J2004-2408<br>DRWN: M. NINOMIYA '04/02/13<br>CH'K: K. TOJO '04/02/13<br>APPR: M. SASAO '04/02/13 | A                       | 0                         | MATERIAL<br>材料<br>SEE NOTES | GENERAL TOLERANCES:<br>(UNLESS SPECIFIED)<br>一般公差   |
|   |                         |                           | FINISH<br>仕上げ<br>#          | 10 UNDER 未満 ±0.2<br>10 OVER 30 UNDER 未満 ±0.25<br>30 OVER 以上 ±0.3  |
| WIRE RANGE<br>適用線径範囲<br>#   | INS. RANGE<br>被覆外径<br># | WIRE RANGE<br>適用線径範囲<br># | ANGLE 角度 ±3°                | DRAWN BY & DATE<br>M. NINOMIYA '04/02/13<br><br>CHECKED BY & DATE<br>K. TOJO '04/02/13<br><br>APPROVED BY & DATE<br>H. Sasaki '04/02/13 |

|   |  |                                      |   |
|---|--|--------------------------------------|---|
| 54819-0572  |  | MATERIAL NO.                         |   |
| SCALE   | DESIGN UNITS   | MODEL NO.                            | DIMENSIONS:   |
| —#  | mm <input checked="" type="checkbox"/> INCH <input type="checkbox"/> | 54819-0572                           | mm <input type="checkbox"/> INCH <input type="checkbox"/> mm <input checked="" type="checkbox"/> ONLY |
| PROJECTION  |  | SHT REV                              |   |
| MATERIAL NO.  |  | TITLE:                               |   |
| DRAWING NO.   |  | USB SERIES MINI-B                    |   |
| SHEET NO.   |  | REC. HS'G EMBOSSED ASS'Y -LEAD FREE- |   |
| SD-54819-025.S01  |  | MOLEX MOLEX INCORPORATED             |   |
| SEE CHART   |  | MATERIAL NO.                         |   |
| DRAWING NO.   |  | SD-54819-025                         |   |
| SHEET NO.   |  | 1 OF 1                               |   |
| DRAWING CONTAINS INFORMATION THAT IS PROPRIETARY TO MOLEX INCORPORATED AND SHOULD NOT BE USED WITHOUT WRITTEN PERMISSION. |  |                                      | SIZE B  |