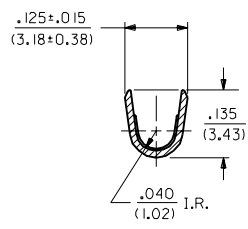
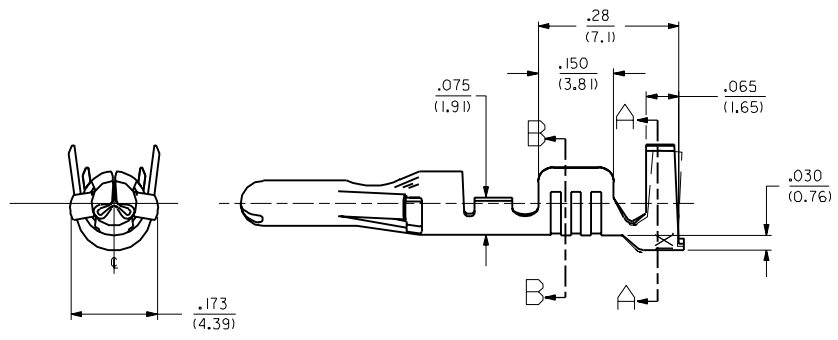
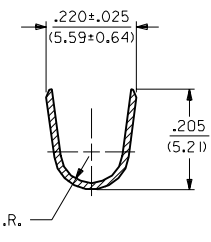


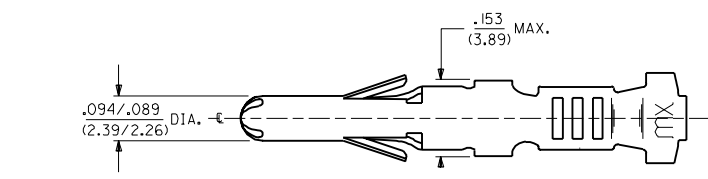
CHAIN FORM SHOWN  
FULL SCALE



SECT. B-B



SECT. A-A



F2	REVISED UCR2000-0683 3/2/00 DDS
F1	REVISED ECN# UCR1999-0518 STAMBAUGH 99-2-9
F	ADDED ISO VIEW ECN U80476 WANG 9T-8-15
E	REV. GEOMETRY PER ECR #US .0410 11-22-94 RW
D	LOCK TAB REV. ECN #J6 Q159 9-7-94 RW
C1	REVISE GEOMETRY PER ECR U4 0677 OC 6/1/94 RW
C	REVISE PER ECR U2 1848 OC 1/14/93 RW
B1	FINAL REL. - 0002 ECN #U2 1167 8-12-92 RW
B	REVISED PER ECN U11831 GEP 2-10-92 RHR
A	FINAL RELEASE ECR U1 1249 OC 7/23/91
3	REVISED ECN #U10436 02-14-91 A.GUZIK
2	REVISED DRAWING PER ERO 29857 4-23-90 TRM

2	E	I	X-RELEASED ERO 28573 6-23-89 COMSTOCK
1	F2	LTR.	REVISONS

UNLESS OTHERWISE SPECIFIED  
TOLERANCES: ANGULAR ± .005

	INCH	METRIC
3 PLACE	± .010	---
2 PLACE	± .014	± 0.25
1 PLACE	---	± 0.35

DRAFT WHERE APPLICABLE MUST  
REMAIN WITHIN DIMENSIONS

DRWG. BY: GMC CHKD. BY: RHR  
APP'D. BY: GWF SCALE: 6 : 1

TITLE: TERMINAL, PIN,  
.093/(2.36) DIA., CRIMP

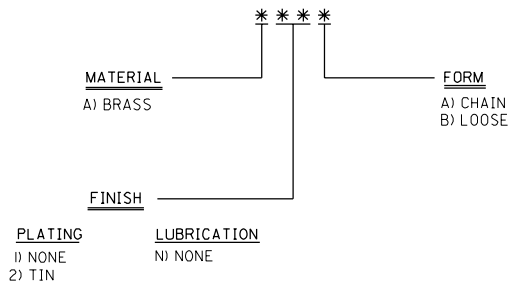
PART NO.: L15LEJLL. 60532 SHEET NO. 1 OF 2 DATE 6/23/89  
U.S.A.

MOLEX INCORPORATED  
SEE CHART SD-42478-\*\*\*\*

THIS DRAWING CONTAINS INFORMATION THAT IS PROPRIETARY TO  
MOLEX INC. AND SHOULD NOT BE USED WITHOUT WRITTEN PERMISSION. CP C

PART NO.	ENG. NO.	CHARACTERISTICS			
		MATERIAL	FINISH		FORM
			PLATING	LUBRICATION	
02-09-2611	42478-0001	A	2	N	A
02-09-2612	42478-0002	A	2	N	B

CHARACTERISTICS LEGEND



MATERIALS:

A) BRASS, ALLOY #C26000, TEMPER: SPRING, .013/(0.33) THICK.

FINISHES:

PLATING

2) HOT TIN DIP, .000020/(0.0005) MINIMUM THICK.

NOTES:

1. THESE TERMINALS ARE FOR USE WITH THE .093/(2.36) SERIES HOUSINGS AND CRIMPING ON #14 TO #18 AWG WIRE. MAXIMUM ALLOWABLE INSULATION DIAMETER IS .140/(3.56).
  2. CONFORMS TO PRODUCT SPECIFICATION PS-42478.
  3. INSERTION FORCE OF TERMINAL INTO HOUSING: 5 LBS. MAX.
  4. RETENTION (PULL FORCE) FROM HOUSING: 20 LBS. MIN.
- ⚠ DIMENSION FROM THE END OF THE TERMINAL TO THE END OF THE BRUSH ON THE WIRE CRIMPED INTO THE TERMINAL.

E I	SEE SHEET I	DIMENSIONS SHOWN METRIC ( ) INCH UNLESS OTHERWISE SPECIFIED TOLERANCES: ANGULAR ± 1/2°	▽ = 0	▽ = 0	REVISE ONLY ON CAD SYSTEM
E	SEE SHEET I		TITLE	TERMINAL, PIN, .093/(2.36) DIA., CRIMP	
B I	SEE SHEET I	INCH METRIC	MOLEX INCORPORATED		
B	SEE SHEET I	3 PLACE ± --- ± ---	SHEET NO. 2 DATE 6/29/89		
A	SEE SHEET I	2 PLACE ± --- ± ---	PART NO. SD-42478-0001		
1	SEE SHEET I	1 PLACE --- ± ---	DRAWING NO. SD-42478-0001		
2	SEE SHEET I	DRAFT WHERE APPLICABLE MUST REMAIN WITHIN DIMENSIONS	FILE NAME SD42478X.3		
LTR.	REVISIONS	DRW. BY JAS	THIS DRAWING CONTAINS INFORMATION THAT IS PROPRIETARY TO MOLEX INC. AND SHOULD NOT BE USED WITHOUT WRITTEN PERMISSION.		
		CHK'D. BY RHR	DIV. CP		
		APP'D. BY GWF	SCALE :		

42478

A