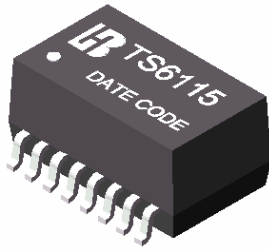


10/100 BASE-T ETHERNET ISOLATION TRANSFORMER

P/N:TS6115 DATA SHEET

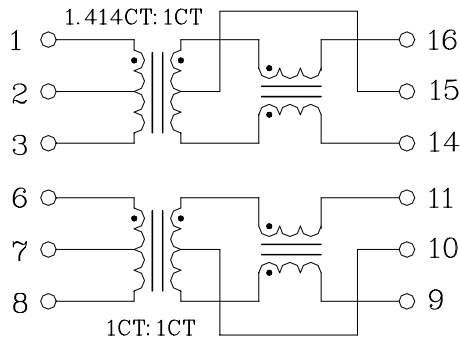
Feature



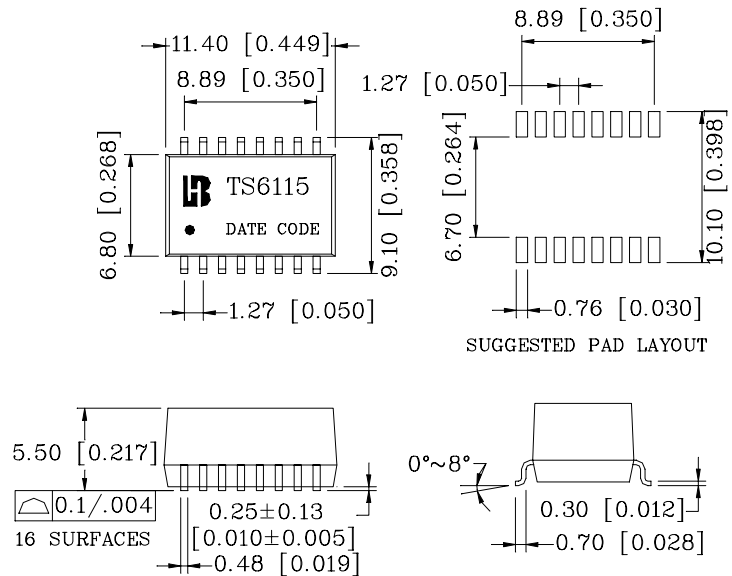
- Designed to meet IEEE 802.3u requirement.
- Designed to meet IR 235 degree C Peak requirement.
- Operating temperature range: 0°C to +70°C
- Storage temperature range: -25°C to +125°C.

Electrical Specifications @ 25°C									
Part Number	Turns Ratio (±5%)		OCL (uH Min) @ 100KHz/0.1V with 8mA Bias Pri			L.L (uH Max) Pri	Cw/w (pF Max)	DCR (Ω Max) Pri	HI-POT (Vrms)
	1-3:16-14	6-8:11-9							
TS6115	1.414CT:1CT	1CT:1CT	350			0.9	28	1.0	1500
Continue									
Part Number	Insertion Loss (dB Max)	Return Loss (dB Min)				Pri Pins	Cross talk (dB Min)	DCMR (dB Typ)	
		0.3-100 MHz	0.5-30MHz	40MHz	50MHz			60-80MHz	0.3-100 MHz
TS6115	-1.1	-18	-15.5	-13.6	-12	(1-3)&(6-8)	-40	-30	

Schematic



Mechanical



Units: mm[Inches] Tolerance: xx.x0±0.25[0.010]
0.xx±0.05[0.002]